



US00D956446S

(12) **United States Design Patent** (10) **Patent No.:** **US D956,446 S**
Boles (45) **Date of Patent:** **** Jul. 5, 2022**

(54) **TRAINING DEVICE**
(71) Applicant: **Jason Lee Boles**, Thomasville, NC (US)
(72) Inventor: **Jason Lee Boles**, Thomasville, NC (US)
(**) Term: **15 Years**
(21) Appl. No.: **29/723,203**
(22) Filed: **Feb. 5, 2020**
(51) **LOC (13) Cl.** **06-13**
(52) **U.S. Cl.**
USPC **D6/601; D6/349**
(58) **Field of Classification Search**
USPC D6/349, 350, 352, 353, 364, 332, 335, D6/336, 362, 716-716.6, 344, 601-604; D21/698
CPC A61G 5/12; A47C 7/5066; B60N 3/063; B60N 3/06; B62J 25/00; B62J 25/06; B63H 16/02
See application file for complete search history.

D367,369 S * 2/1996 Lovegrove D6/349
D444,981 S * 7/2001 Hall D6/333
7,341,314 B1 * 3/2008 Boyd A47C 9/10
297/188.09
D699,981 S * 2/2014 Kummerfeld A47D 13/083
D6/601
D704,963 S * 5/2014 McNeil D6/601
D769,027 S * 10/2016 Wang D6/601
D864,642 S * 10/2019 Hotchkiss D6/716.1

OTHER PUBLICATIONS

Padded Bucket Seat, available in icefish.com, published Nov. 19, 2019 Year 2019 [online], Retrieved on Nov. 21, 2021 from URL: <https://icefish.com/BKS-1/> (Year: 2019).*
Moon Shaped Bucket Seat, available in icefish.com, published Jan. 15, 2015 Year 2015 [online], Retrieved on Nov. 21, 2021 from URL: <https://icefish.com/MN-100/> (Year: 2015).*

* cited by examiner

Primary Examiner — Vy N Koenig
Assistant Examiner — Michelle M Reeves
(74) *Attorney, Agent, or Firm* — MacCord Mason PLLC

(57) **CLAIM**

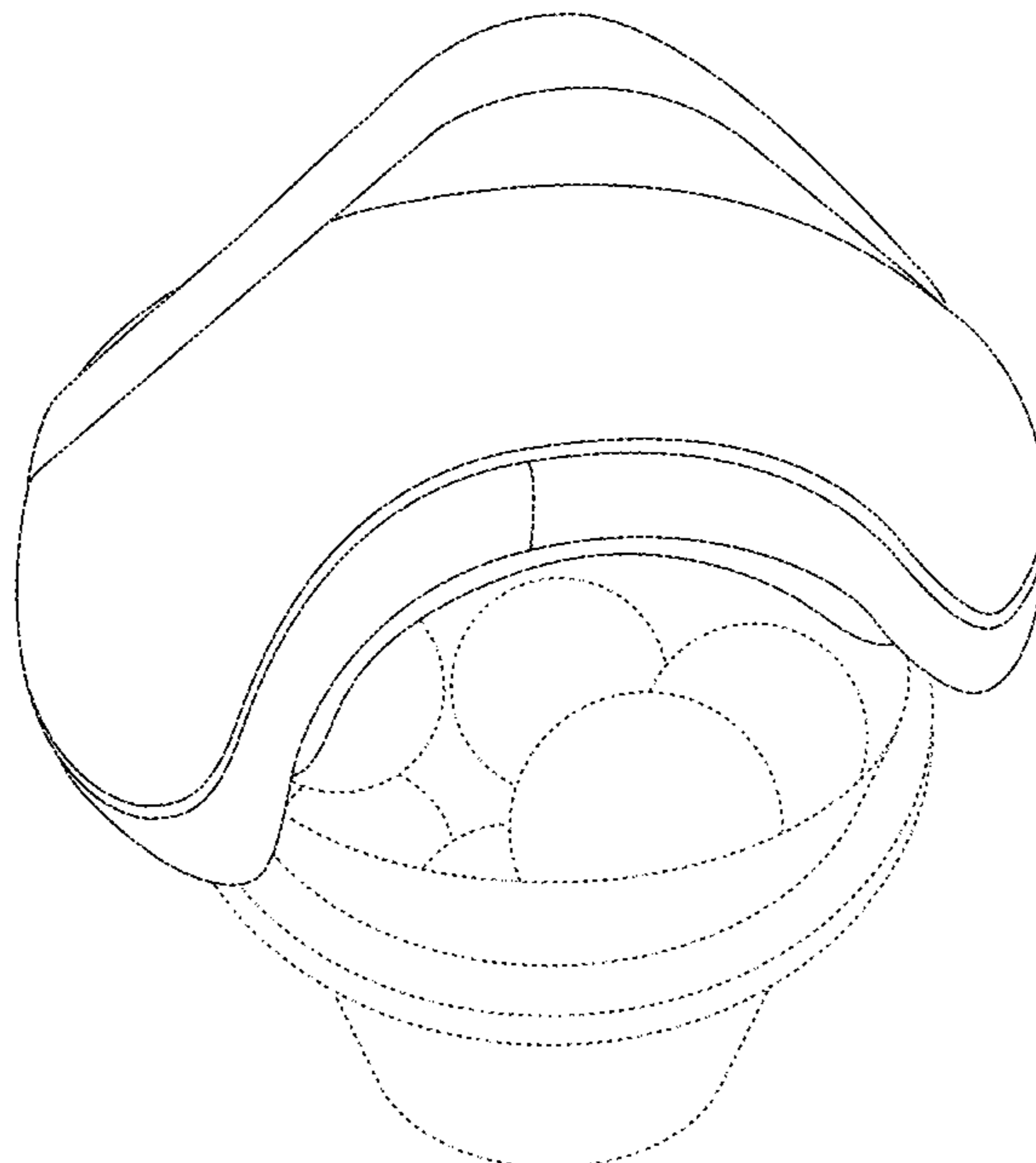
The ornamental design for a training device, as shown and described.

DESCRIPTION

FIG. 1 is a front perspective view of a training device; FIG. 2 is a rear view thereof; FIG. 3 is a top perspective view thereof; and, FIG. 4 is a bottom perspective view thereof and reveals aspects of the design that are not visible in the other figures. The broken lines in the above-described figures depict environmental subject matter and form no part of the presently claimed design.

1 Claim, 4 Drawing Sheets

(56) **References Cited**
U.S. PATENT DOCUMENTS
2,919,169 A * 12/1959 Jackson A47J 47/02
312/235.2
3,751,845 A * 8/1973 van Leeuwen A01K 97/06
43/56
D230,804 S * 3/1974 Lijewski D6/601
4,287,621 A * 9/1981 Kertz B60N 3/00
224/276
4,295,680 A * 10/1981 Grasso A01K 97/22
190/11
4,846,076 A * 7/1989 Menges, Sr. A01K 97/22
108/42
D355,077 S * 2/1995 Tegner D30/118



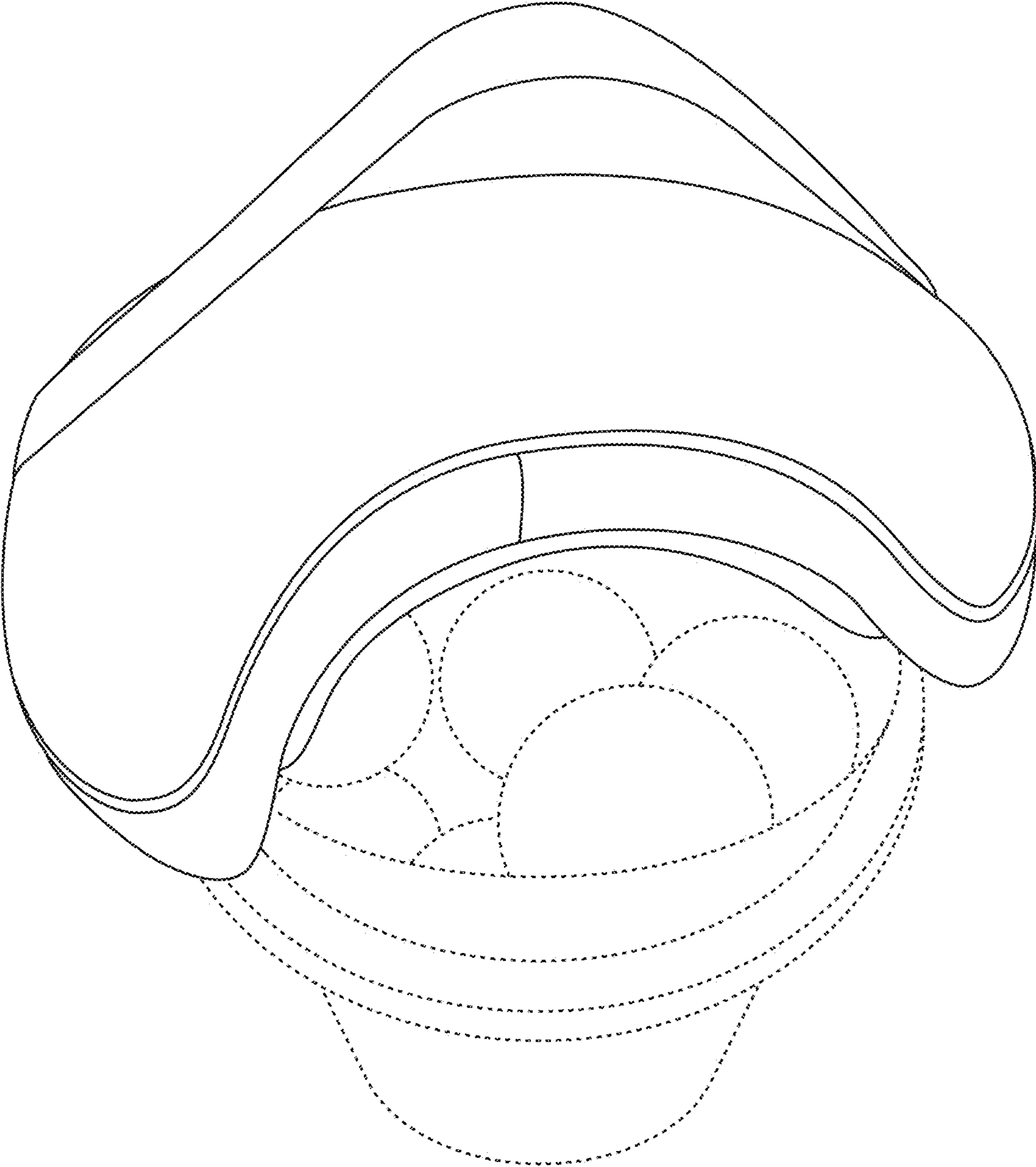


FIG. 1

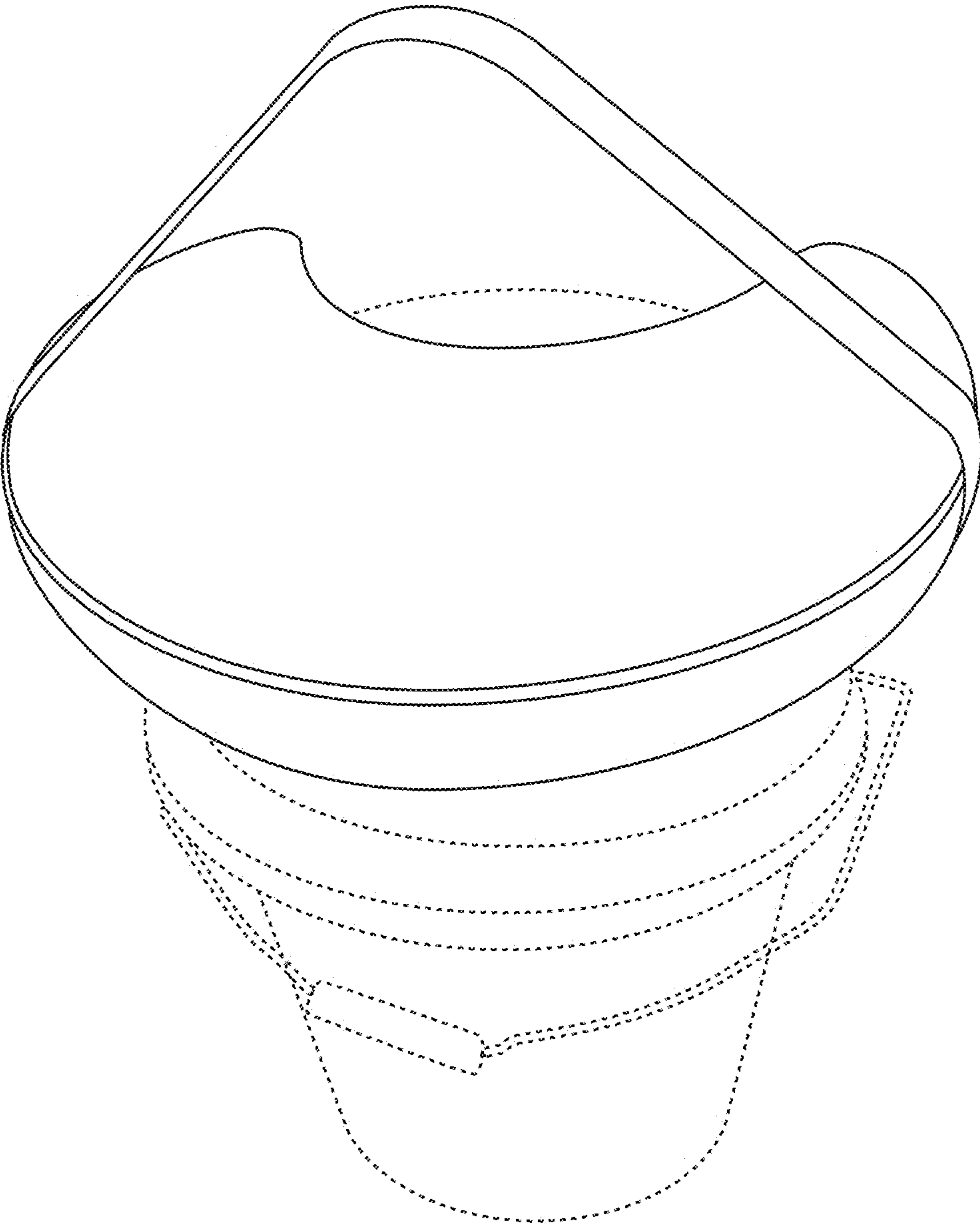


FIG. 2

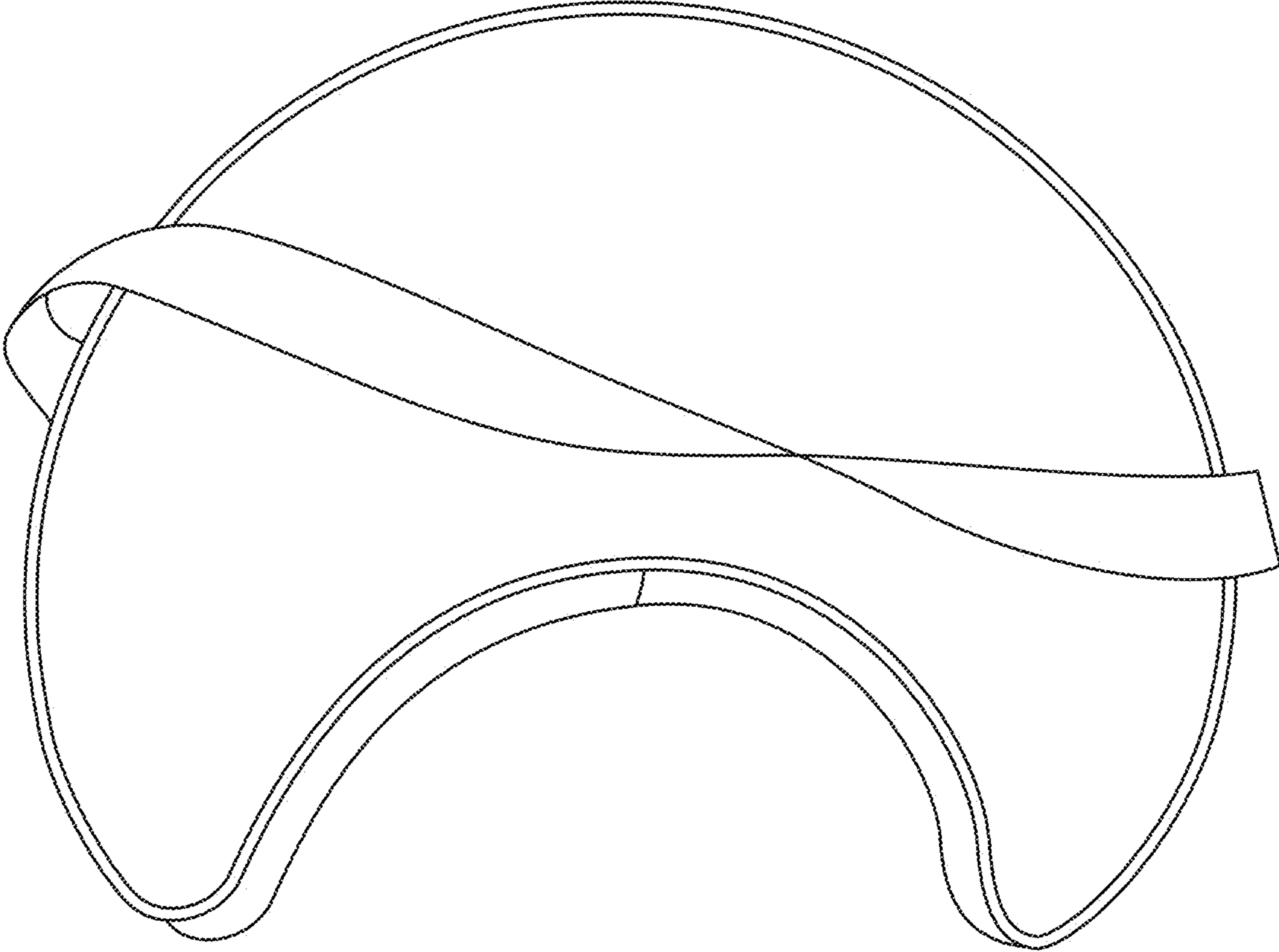


FIG. 3

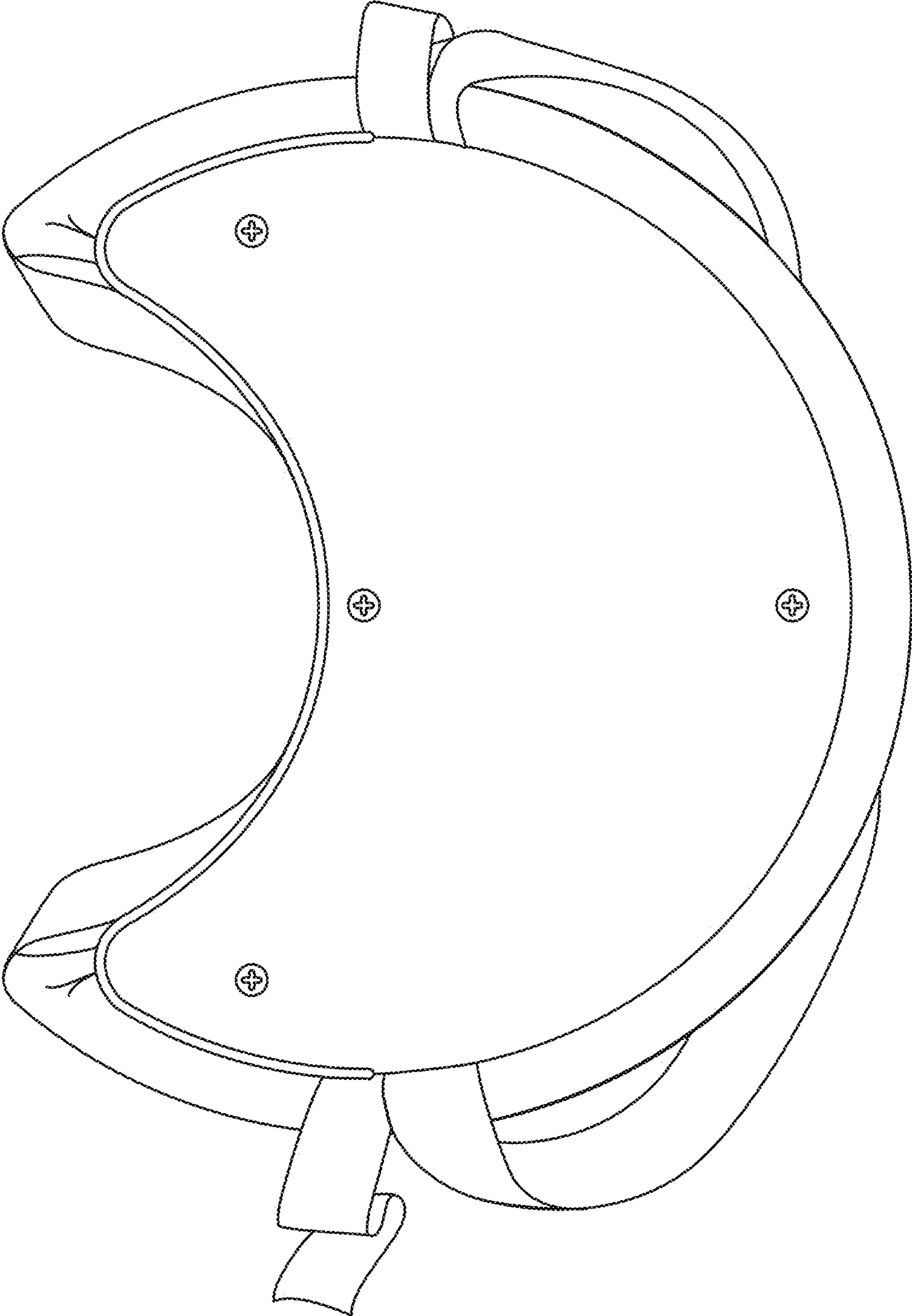


FIG. 4