



US00D956442S

(12) **United States Design Patent** (10) **Patent No.:** **US D956,442 S**
Tingler (45) **Date of Patent:** **** Jul. 5, 2022**

(54) **CHAIR**

OTHER PUBLICATIONS

(71) Applicant: **VISIONAT INTERNATIONAL LIMITED**, Wanchai (HK)

“Costway Set of 2 Accent Armchairs” Dec. 3, 2020, walmart.com, site visited Feb. 4, 2022 <https://www.walmart.com/ip/Costway-Set-of-2-Accent-Armchairs-Upholstered-Single-Sofa-Chairs-w-2-Side-Pockets-Grey/393270519?athcpid=393270519&athpgid=Athenaltempage&athcgid=null&athznid=si&athieid=v0&athstid=CS004&athguid=cZKp_hfdhQodumRcelyXJmzgWe3ATx0cxlls&athancid=null&athena=true&athbdg=L1700> (Year: 2020).*

(72) Inventor: **Chris Tingler**, Houston, TX (US)

(73) Assignee: **VISIONAT INTERNATIONAL LIMITED**, Wanchai (HK)

(**) Term: **15 Years**

Primary Examiner — Kevin K Rudzinski

(21) Appl. No.: **29/763,129**

Assistant Examiner — Paul D Bohannon

(22) Filed: **Dec. 21, 2020**

(74) *Attorney, Agent, or Firm* — Troutman Pepper Hamilton Sanders LLP

(51) **LOC (13) Cl.** **06-01**

(52) **U.S. Cl.**
USPC **D6/374**

(58) **Field of Classification Search**

(57) **CLAIM**

USPC D6/369, 370, 379, 375, 372, 716.4, 371, D6/374, 334, 381, 717
CPC A47C 1/124; A47C 3/025; A47C 3/18; A47C 3/12; A47C 3/34; A47C 4/028; A47C 4/02; A47C 5/12; A47C 5/125; A47C 5/02; A47C 5/06; A47C 5/08; A47C 7/445; A47C 7/443; A47C 7/60; A47C 7/506; A47C 9/007; A47C 13/005; A47C 13/023; A47C 31/003; A47C 31/008; A47C 31/113; A47C 31/02; A47B 85/04; B60R 2/0284; B60R 2/062; B60R 22/001; B60R 22/24; B60R 22/28; B60R 22/58; B60R 22/64; B60R 22/68; B60R 22/80; B60R 22/99; B60R 22/245; B60R 22/643; B60R 22/646; B60R 22/665; B60R 22/686; B60R 22/688; B60R 22/803; B60R 22/986; B60R 22/914; B60R 22/995

I claim the ornamental design for a chair, as shown and described.

See application file for complete search history.

DESCRIPTION

FIG. 1 is an upper perspective view of a chair;
FIG. 2 is a rear perspective view of the design shown in FIG. 1;
FIG. 3 is a front elevation view of the design shown in FIG. 1;
FIG. 4 is a rear elevation view of the design shown in FIG. 1;
FIG. 5 is a right side elevation view of the design shown in FIG. 1;
FIG. 6 is a left side elevation view of the design shown in FIG. 1;
FIG. 7 is a top plan view of the design shown in FIG. 1; and,
FIG. 8 is a bottom plan view of the design shown in FIG. 1.
The broken lines shown in the drawings are for the purpose of illustrating portions of the article that form no part of the claimed design. The shade lines shown represent surface shading and not surface ornamentation, color, or material type.

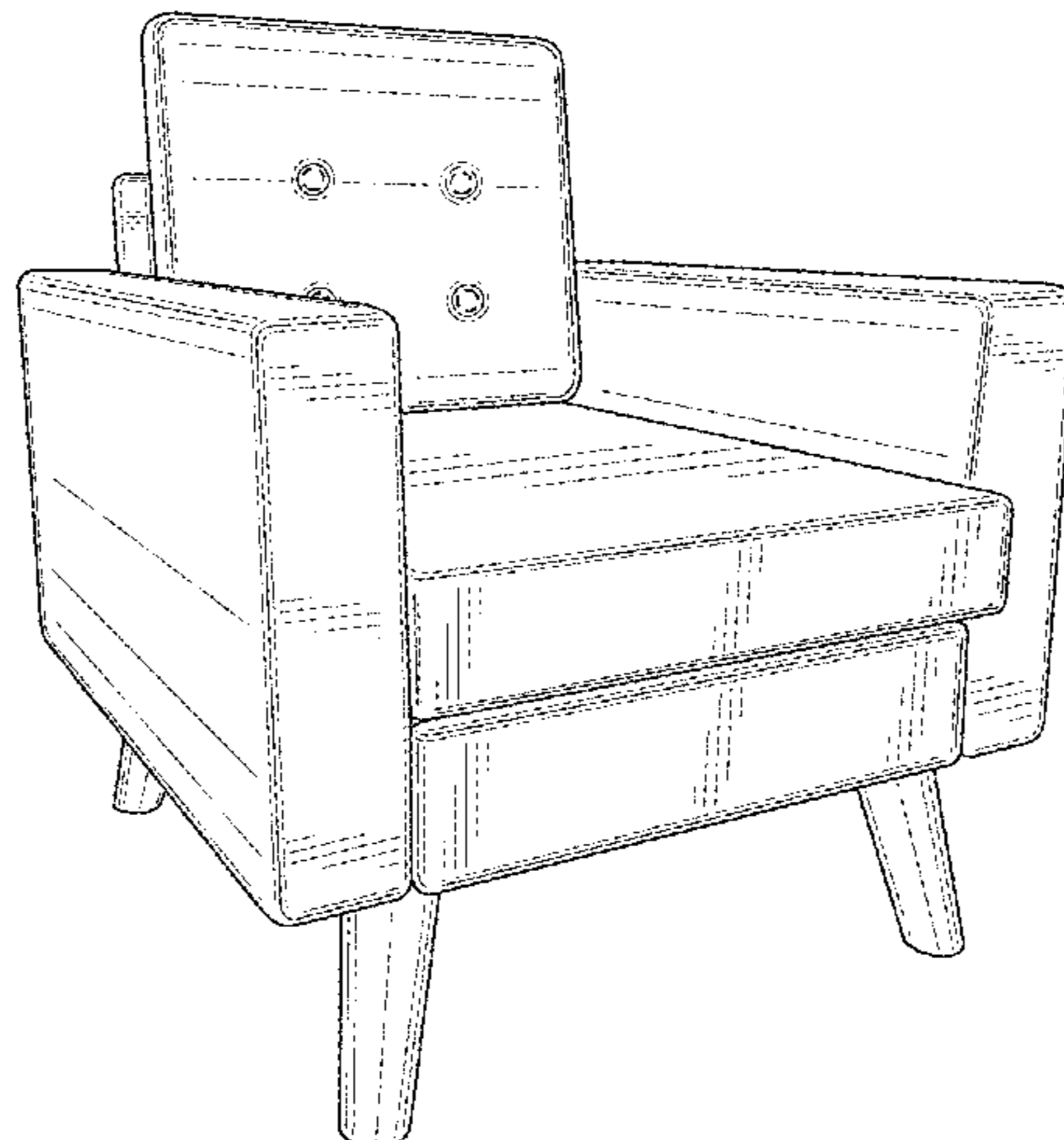
(56) **References Cited**

U.S. PATENT DOCUMENTS

D156,857 S * 1/1950 Wallance D6/334
D158,046 S * 4/1950 Carr D6/334
2,605,820 A 8/1952 Powellek
D188,488 S 8/1960 Otto

(Continued)

1 Claim, 8 Drawing Sheets



(56)

References Cited

U.S. PATENT DOCUMENTS

3,973,800	A	8/1976	Kogan	
D360,310	S	* 7/1995	Stamberg	D6/381
D410,800	S	* 6/1999	Gomez	D6/369
D505,276	S	* 5/2005	Cronk	D6/334
D532,984	S	12/2006	Bernett	
D533,365	S	* 12/2006	Martin	D6/334
D538,549	S	* 3/2007	Spear	D6/381
D539,561	S	* 4/2007	Martin	D6/381
D549,470	S	* 8/2007	Hutton	D6/334
D650,605	S	* 12/2011	Haimoff	D6/369
D657,148	S	4/2012	Ciani et al.	
D659,412	S	* 5/2012	Arko	D6/334
D666,847	S	* 9/2012	Metcalf	D6/717
D695,038	S	* 12/2013	Metcalf	D6/381
D699,043	S	2/2014	McNae	
D699,451	S	* 2/2014	Beucler	D6/334
D719,754	S	* 12/2014	Pathiratne	D6/381
D737,070	S	* 8/2015	Sonmez	D6/381
D773,837	S	12/2016	Bougay et al.	
D850,893	S	6/2019	Lissoni	
D857,407	S	* 8/2019	Lopez	D6/334
D859,014	S	* 9/2019	Lopez	D6/334
D862,095	S	10/2019	Young	
D874,167	S	* 2/2020	Tian	D6/334
D895,339	S	* 9/2020	Rottet	D6/717
D899,795	S	* 10/2020	Hale	D6/334

* cited by examiner

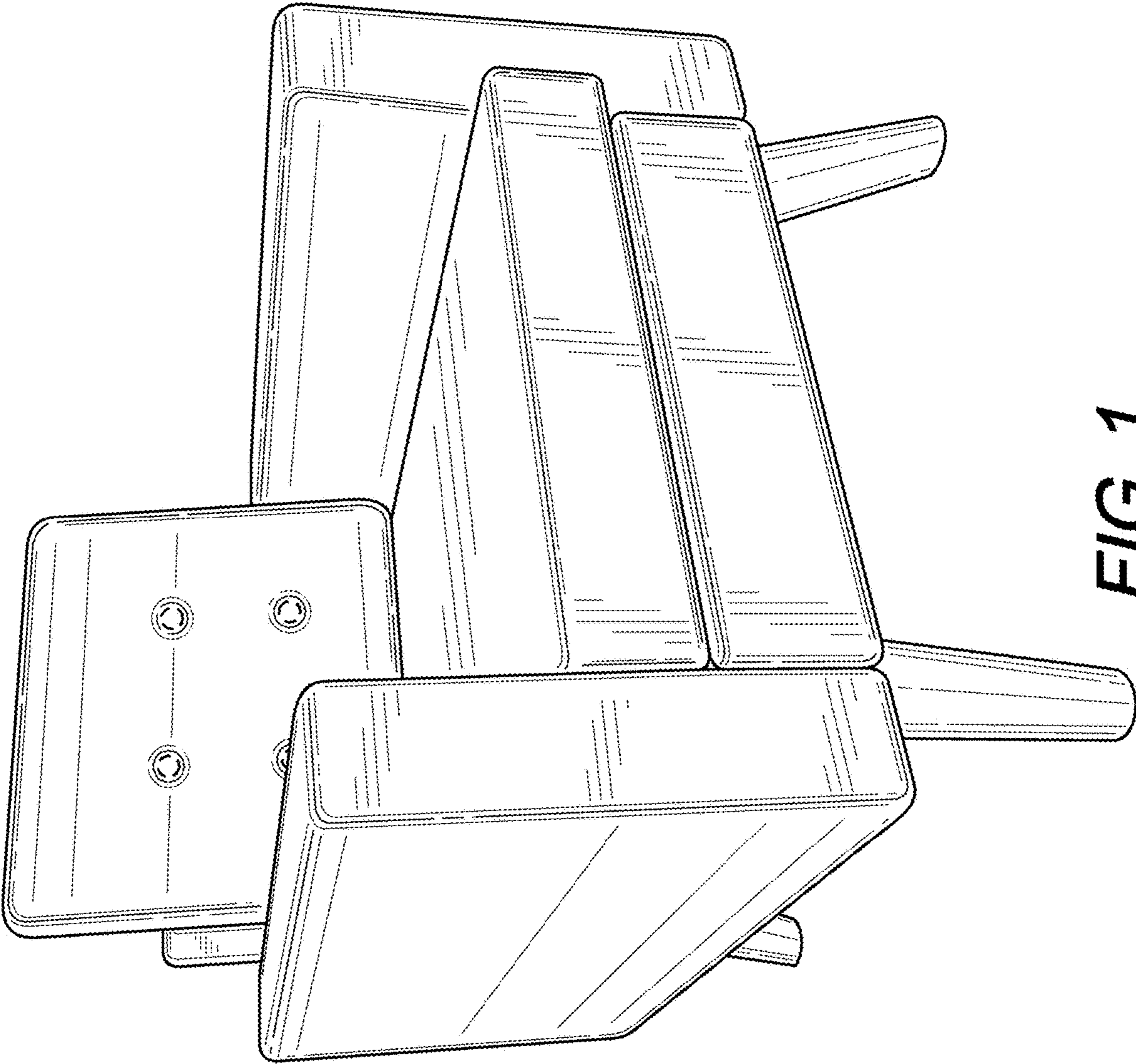


FIG. 1

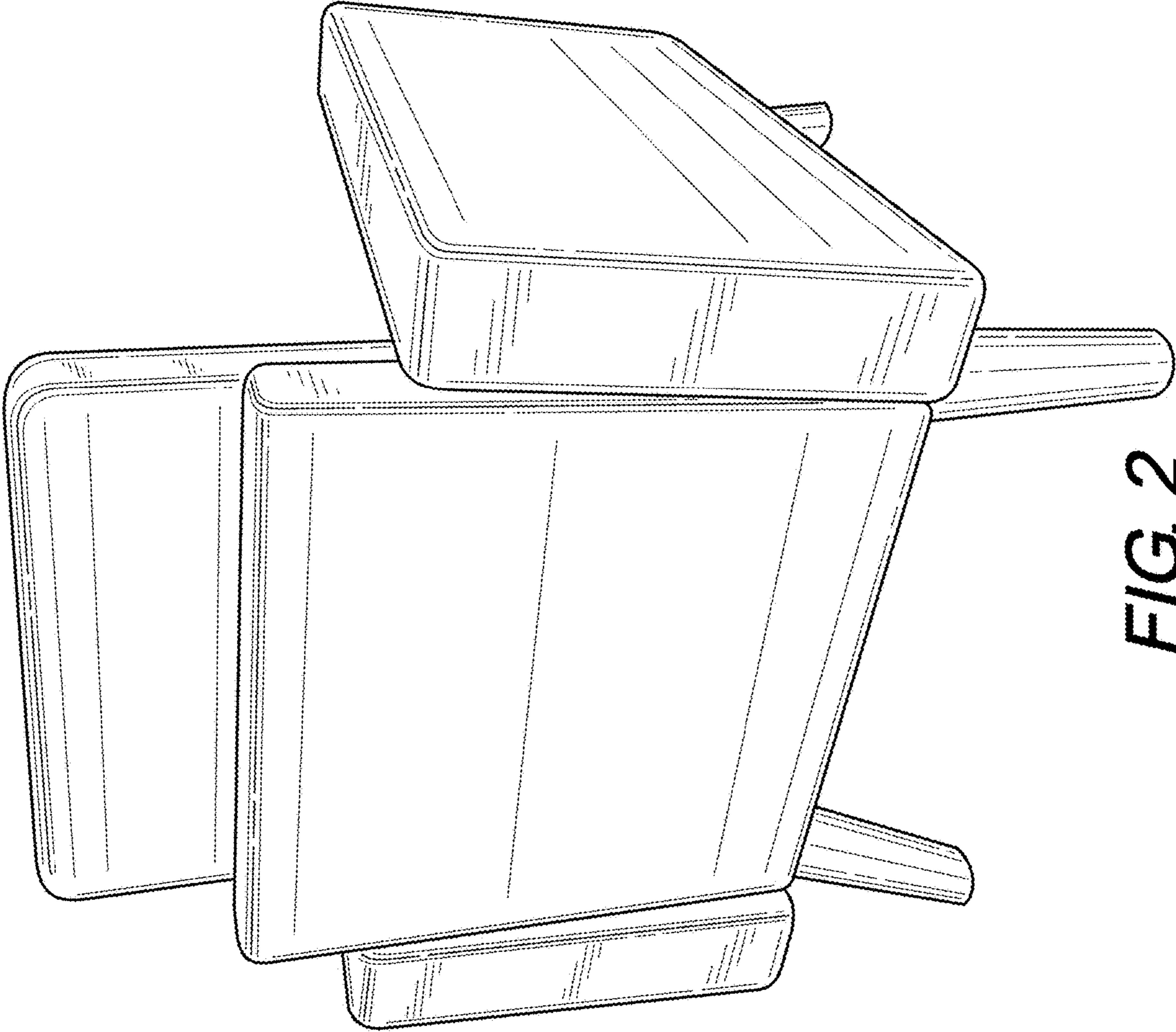


FIG. 2

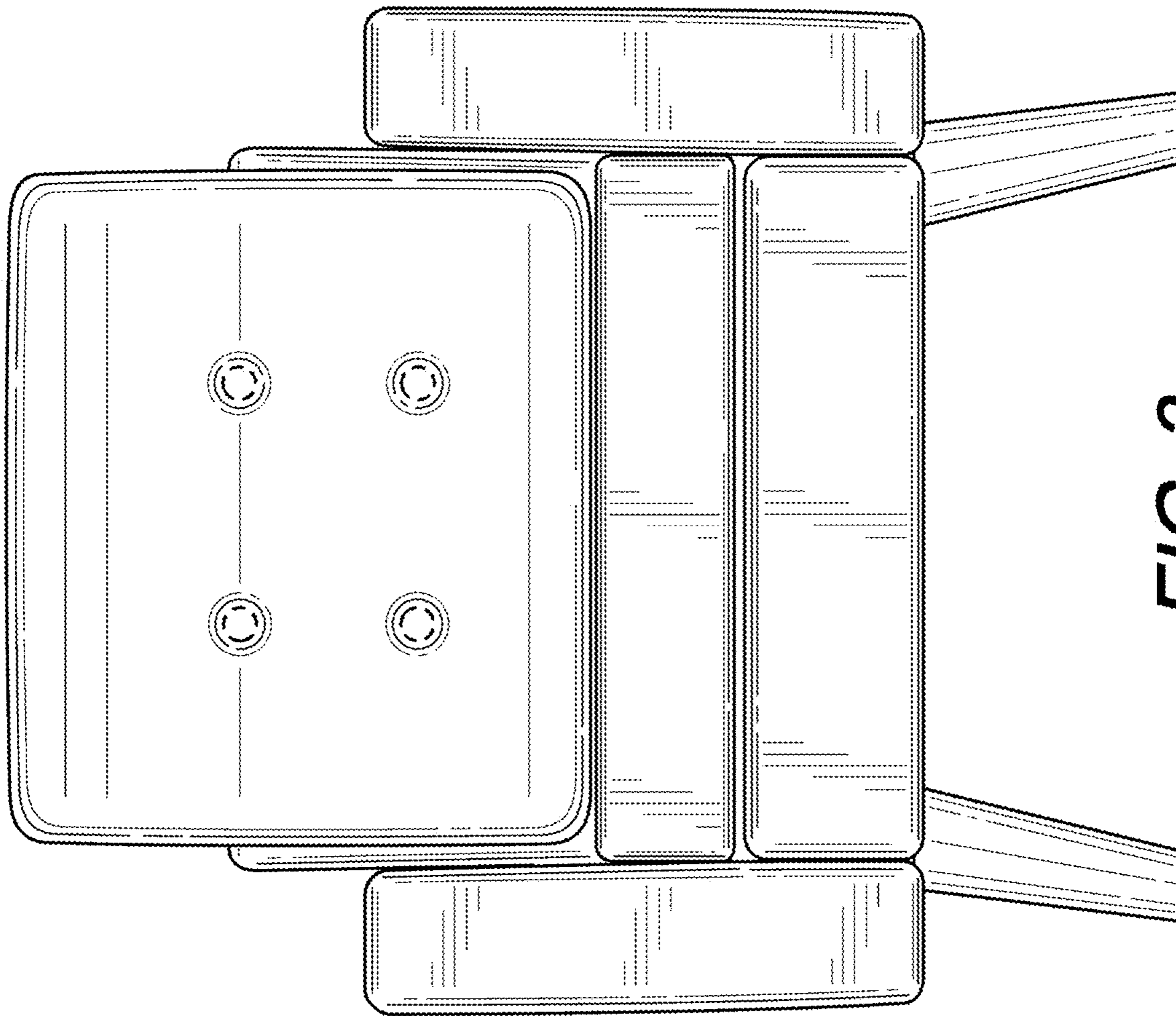


FIG. 3

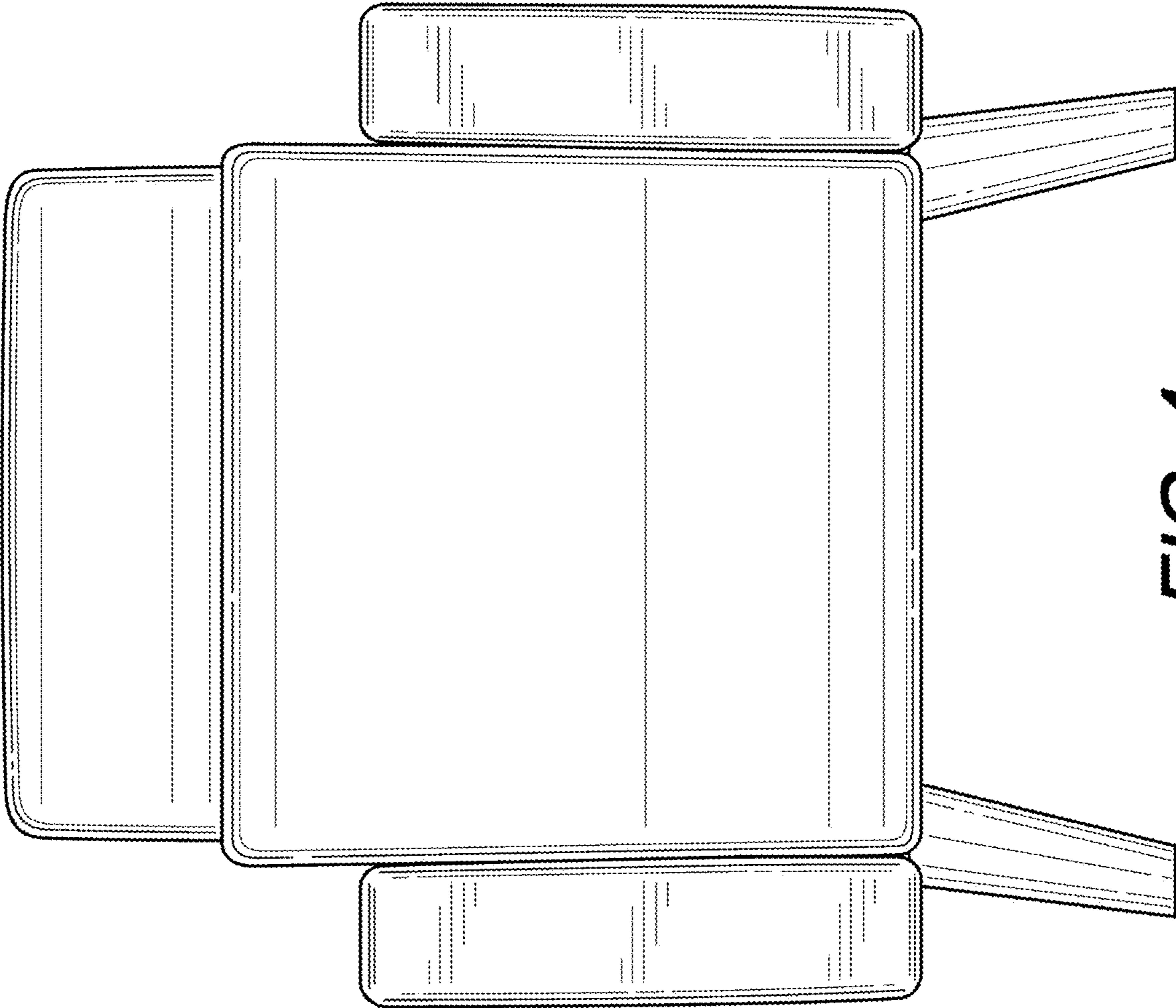


FIG. 4

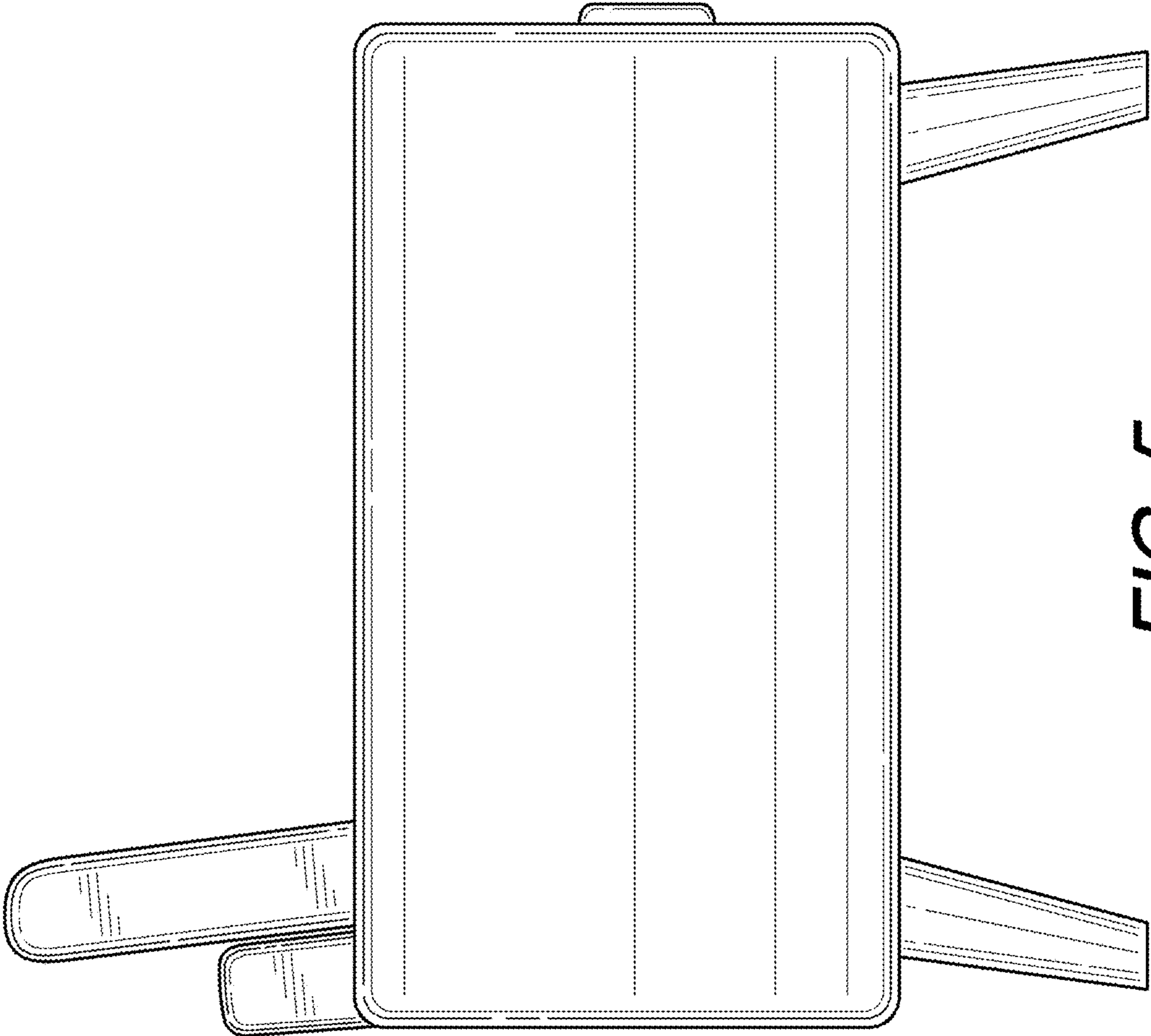


FIG. 5

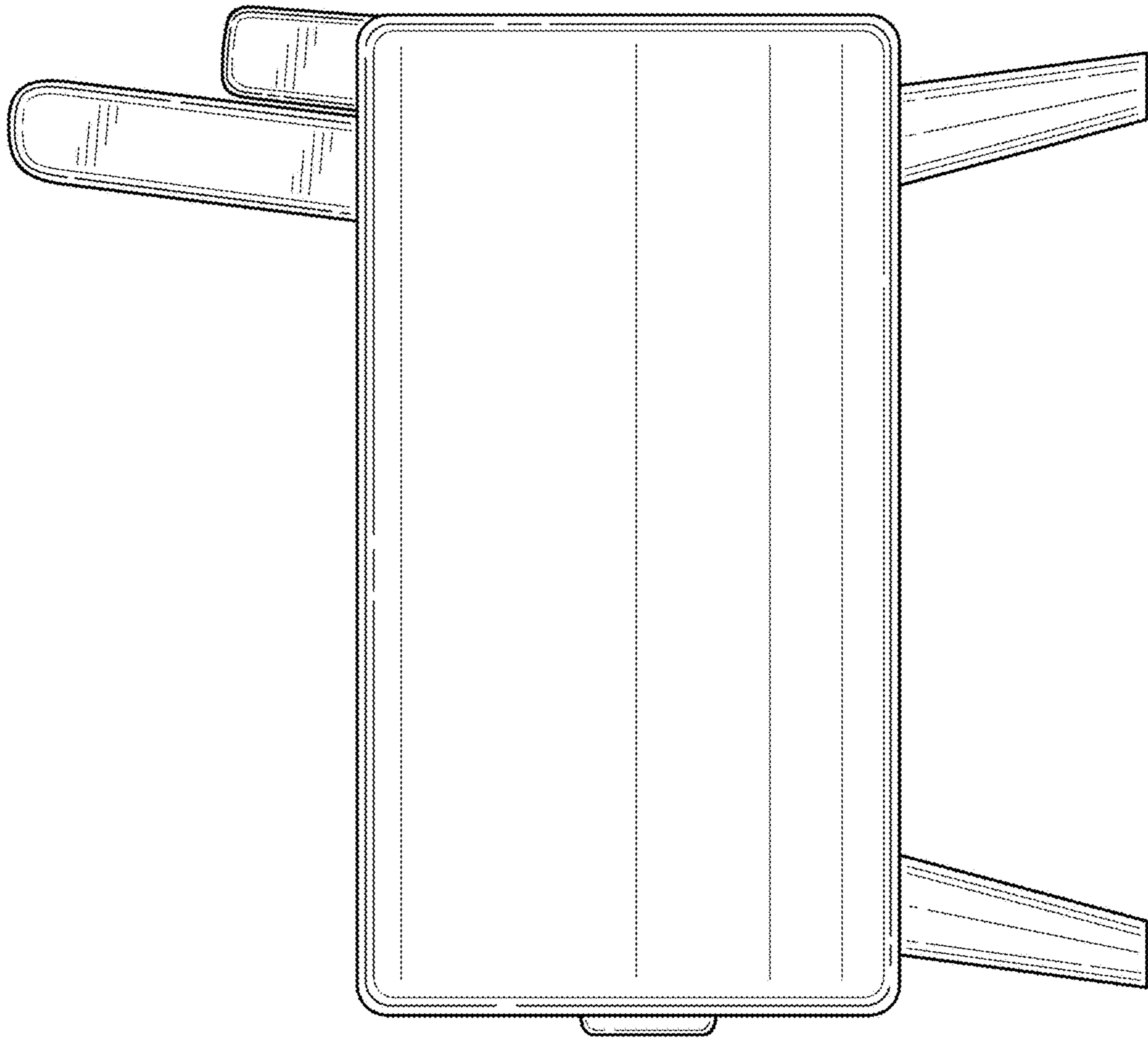


FIG. 6

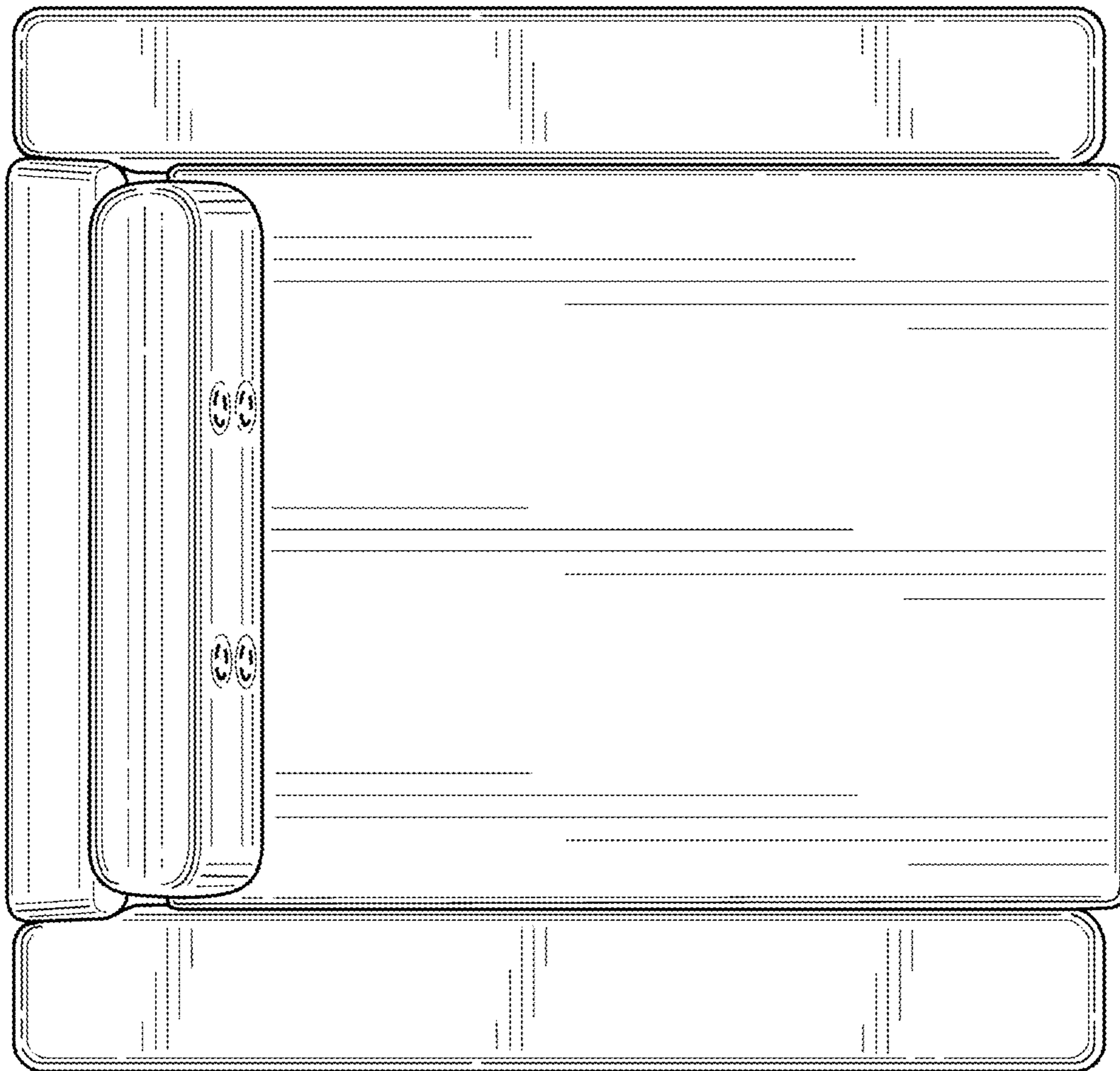


FIG. 7

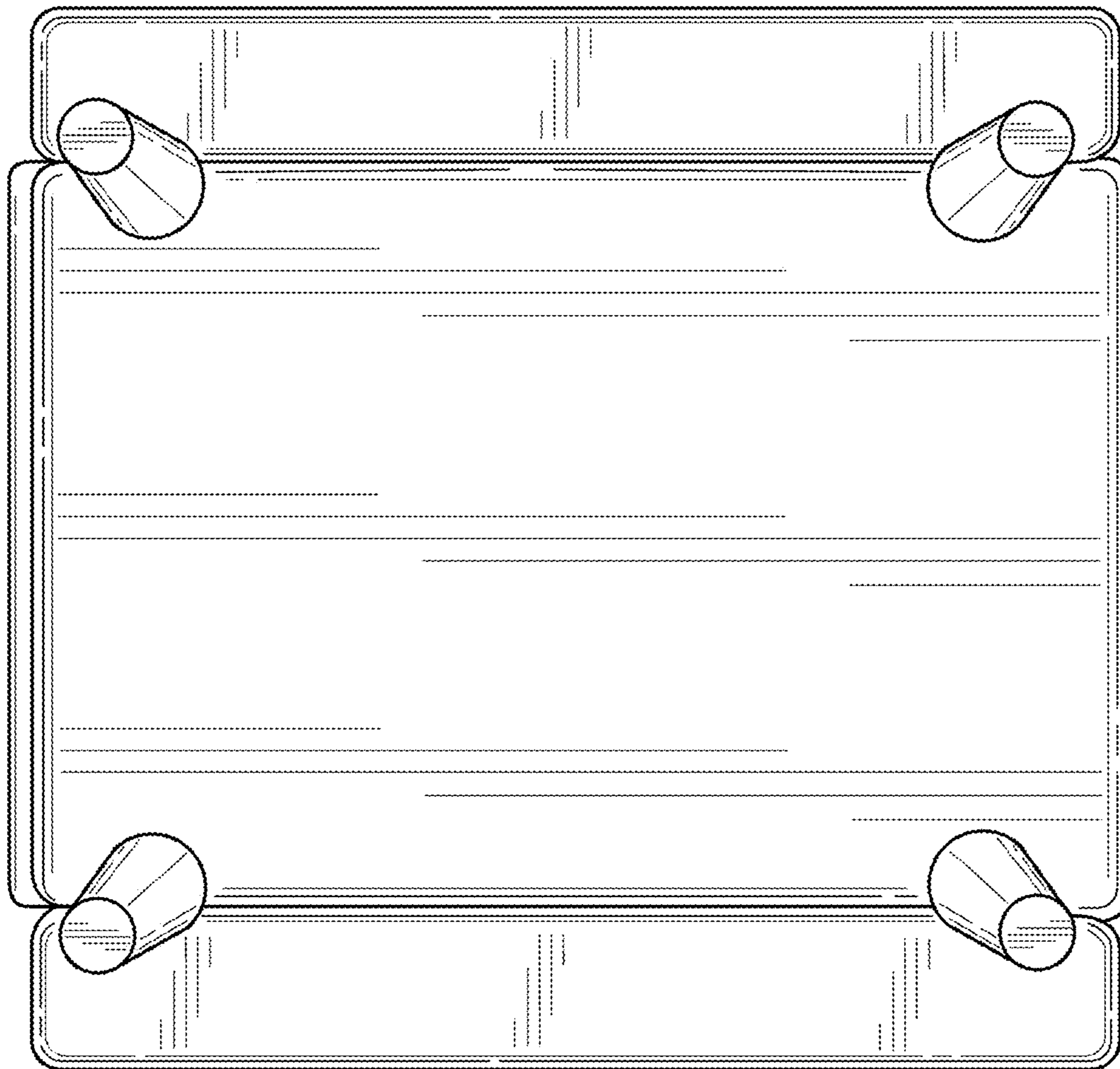


FIG. 8