



US00D956440S

(12) **United States Design Patent** (10) **Patent No.:** **US D956,440 S**
Chen (45) **Date of Patent:** **** Jul. 5, 2022**

(54) **FOLDING STADIUM SEAT**

(71) Applicant: **Qibing Chen**, Fujian (CN)

(72) Inventor: **Qibing Chen**, Fujian (CN)

(**) Term: **15 Years**

(21) Appl. No.: **29/677,656**

(22) Filed: **Jan. 23, 2019**

(51) **LOC (13) Cl.** **06-01**

(52) **U.S. Cl.**
USPC **D6/368**

(58) **Field of Classification Search**
USPC D6/366, 368, 374, 380, 339, 716.4, 356;
D25/64
CPC A47C 3/04; A47C 4/24; A47C 4/28; A47C
4/38; A47C 7/282; H01J 49/42; H01J
49/063; H01J 49/4215; H01J 49/4255;
Y10T 403/7171; Y10T 403/7194; A47B
83/02; A47D 1/004; A47D 1/0081; A47D
1/002; A47D 1/0085

See application file for complete search history.

(56) **References Cited**

U.S. PATENT DOCUMENTS

D281,936 S *	12/1985	Kennedy	D6/362
D282,028 S *	1/1986	Kennedy	D6/362
5,052,076 A *	10/1991	Spaeth	B63B 29/04 16/266
D391,086 S *	2/1998	Catchings	D6/356
D421,191 S *	2/2000	Rand	D6/368
6,116,676 A *	9/2000	Edwards	B60N 2/3011 296/64
D468,548 S *	1/2003	Head, Jr.	D6/368
D484,350 S *	12/2003	Miller	D6/368
D495,511 S *	9/2004	Dingess	D6/368
6,981,741 B2 *	1/2006	Sirjoo	A47C 3/16 297/354.12
D771,400 S *	11/2016	DoVale	D6/368
D814,820 S *	4/2018	Meoli, Jr.	D6/368
D854,841 S *	7/2019	Levin	D6/356

D854,842 S *	7/2019	Levin	D6/356
D856,693 S *	8/2019	Shlomay	D6/362
D891,135 S *	7/2020	Chen	D6/362
2005/0023875 A1 *	2/2005	Sirjoo	A47C 3/16 297/354.13
2005/0274726 A1 *	12/2005	Boggs	F25D 3/08 220/592.03
2007/0236055 A1 *	10/2007	Gausman	A47C 1/146 297/129
2009/0085386 A1 *	4/2009	McCoy	A47C 3/029 297/258.1

(Continued)

OTHER PUBLICATIONS

“Ultra-Padded Stadium Chair—18"W×14"D×18"H—Yellow” Jan. 9, 2019, overstock.com, site visited Nov. 10, 2021 <<https://www.overstock.com/Home-Garden/Game-Day-Seats-Ultra-padded-Stadium-Chair/11975454/product.html?opre=1&option=38718984#reviewRegion>> (Year: 2019).*

Primary Examiner — Kevin K Rudzinski

Assistant Examiner — Paul D Bohannon

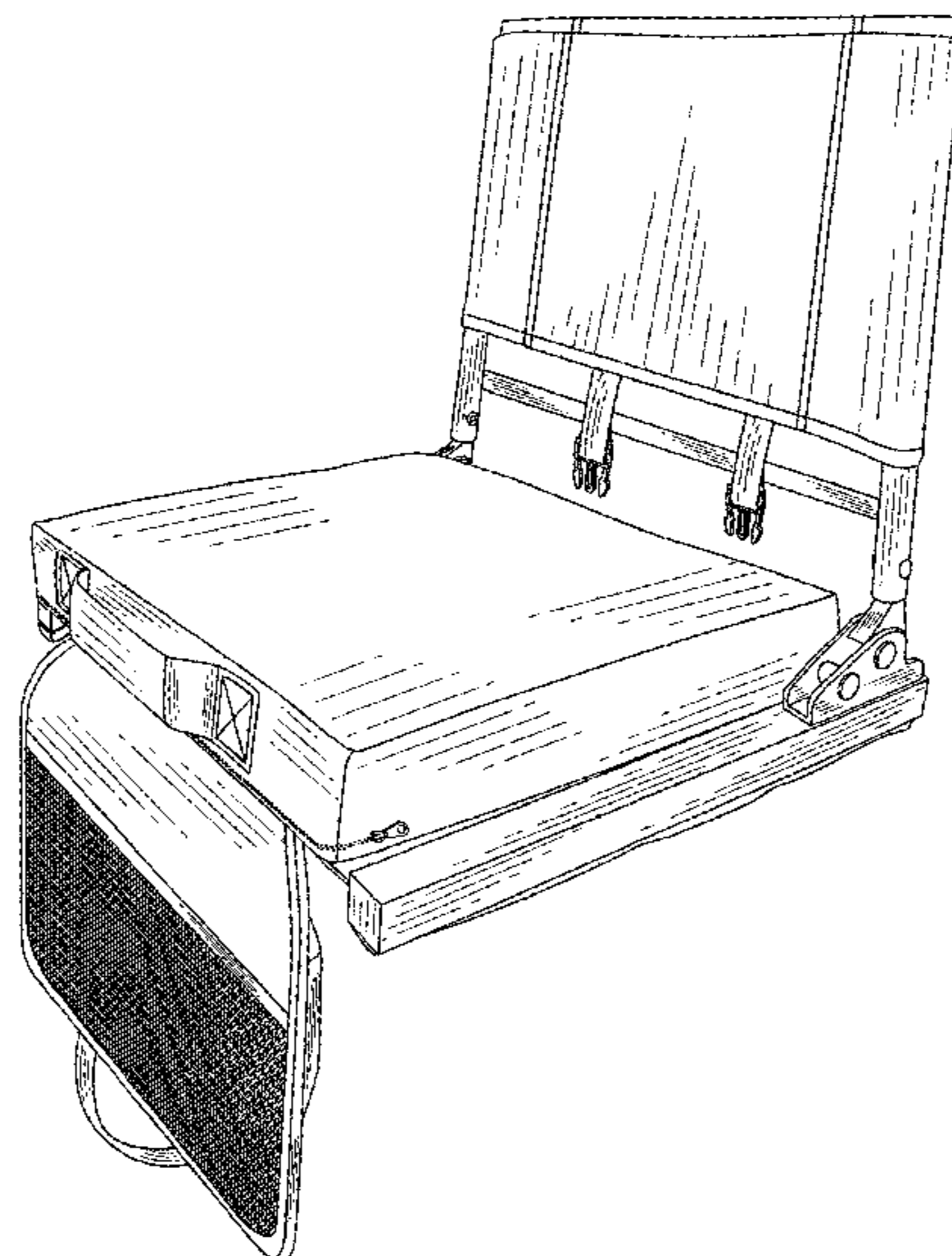
(57) **CLAIM**

The ornamental design for a folding stadium seat, as shown and described.

DESCRIPTION

FIG. 1 is a perspective view of a folding stadium seat showing my new design;
FIG. 2 is a front elevation view thereof;
FIG. 3 is a rear elevation view thereof;
FIG. 4 is a left side elevation view thereof;
FIG. 5 is a right side elevation view thereof;
FIG. 6 is a top plan view thereof;
FIG. 7 is a bottom plan view thereof; and,
FIG. 8 is an exploded view thereof.
The broken lines shown in the drawings are for the purpose of illustrating portions of the article and form no part of the claimed design.

1 Claim, 8 Drawing Sheets



(56)

References Cited

U.S. PATENT DOCUMENTS

2010/0102613 A1* 4/2010 Labuwy B60N 2/682
297/354.12
2016/0066694 A1* 3/2016 Blakeney A47C 7/425
297/228.13
2020/0054139 A1* 2/2020 Morley, Jr. A47C 4/22

* cited by examiner

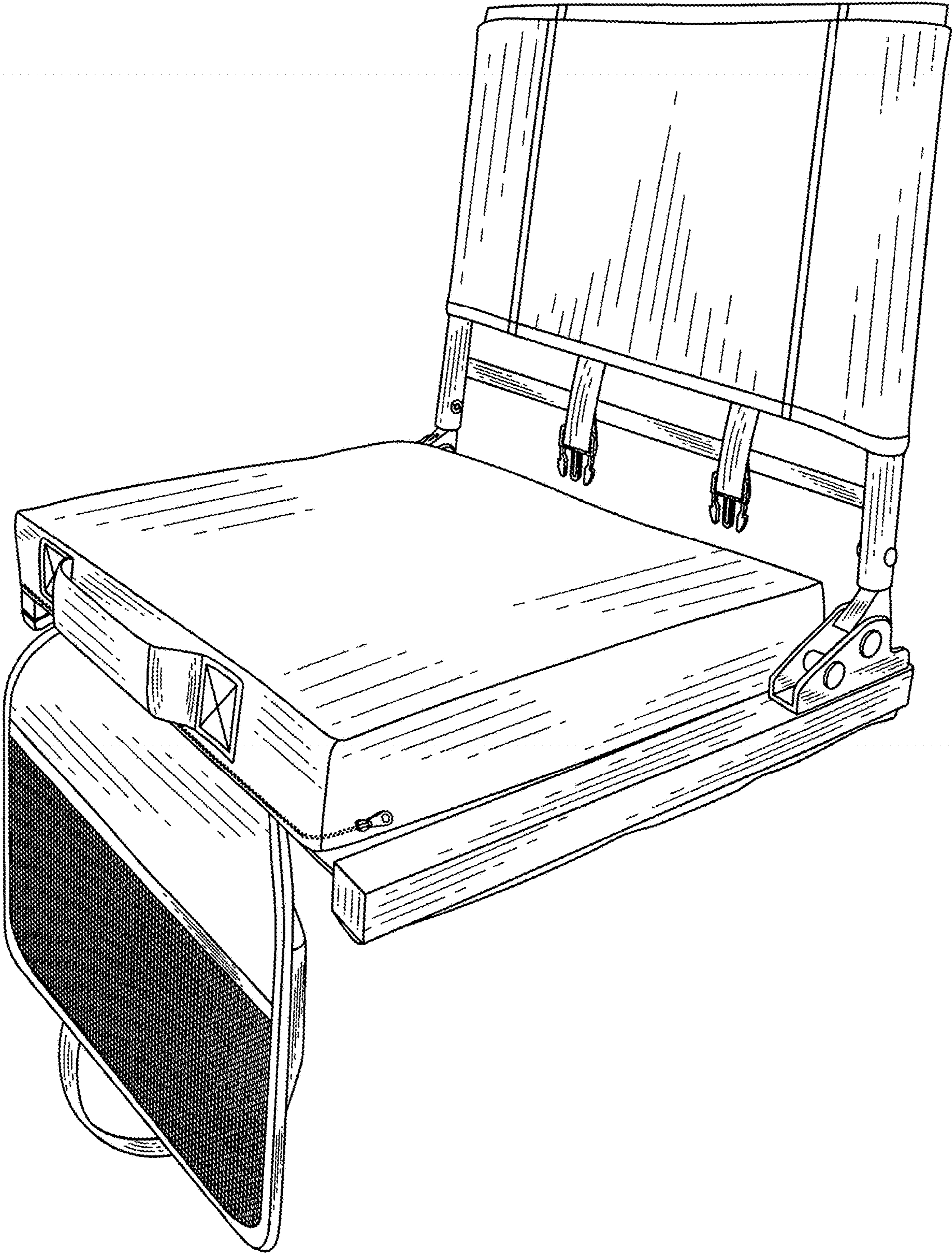


FIG. 1

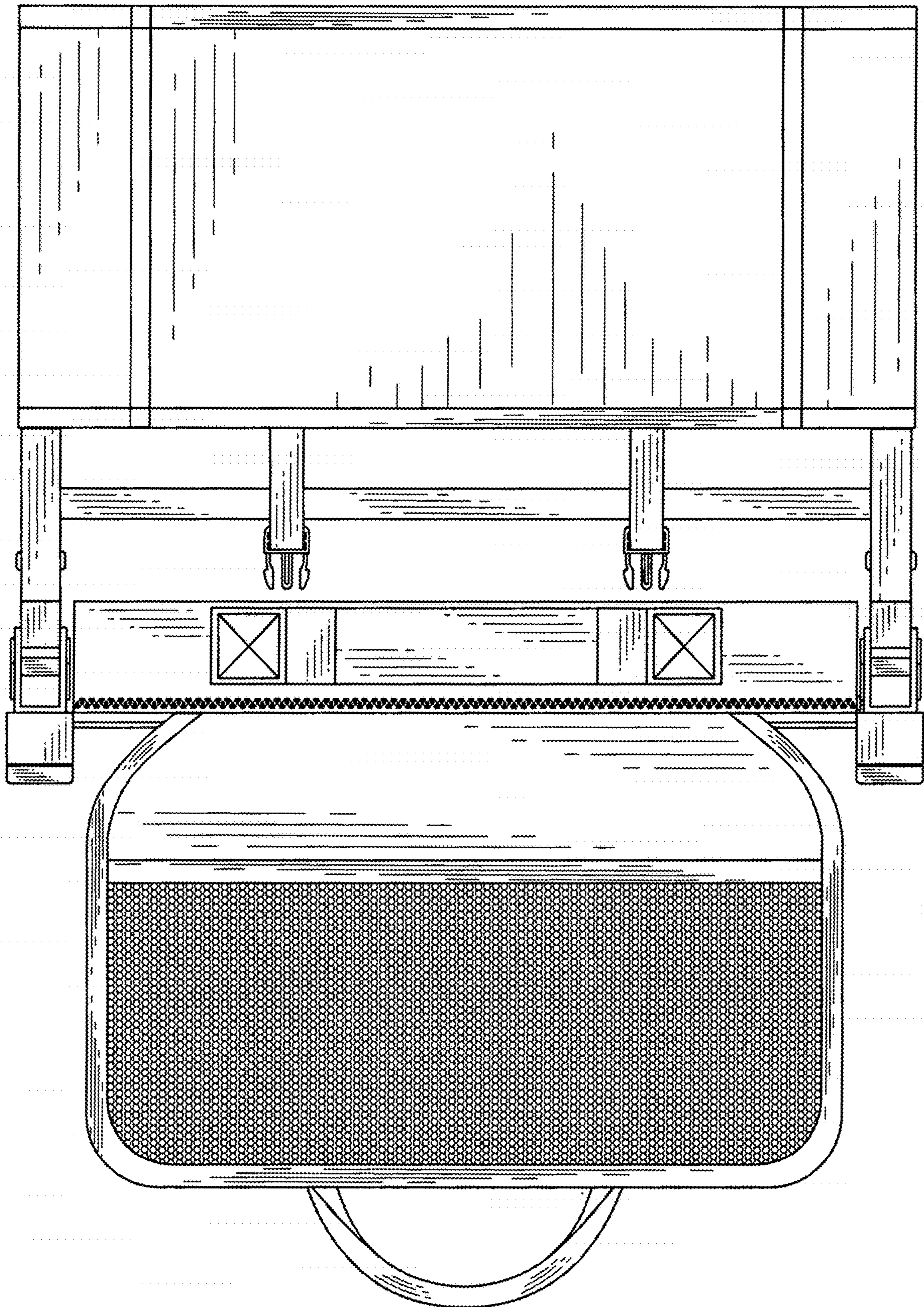


FIG. 2

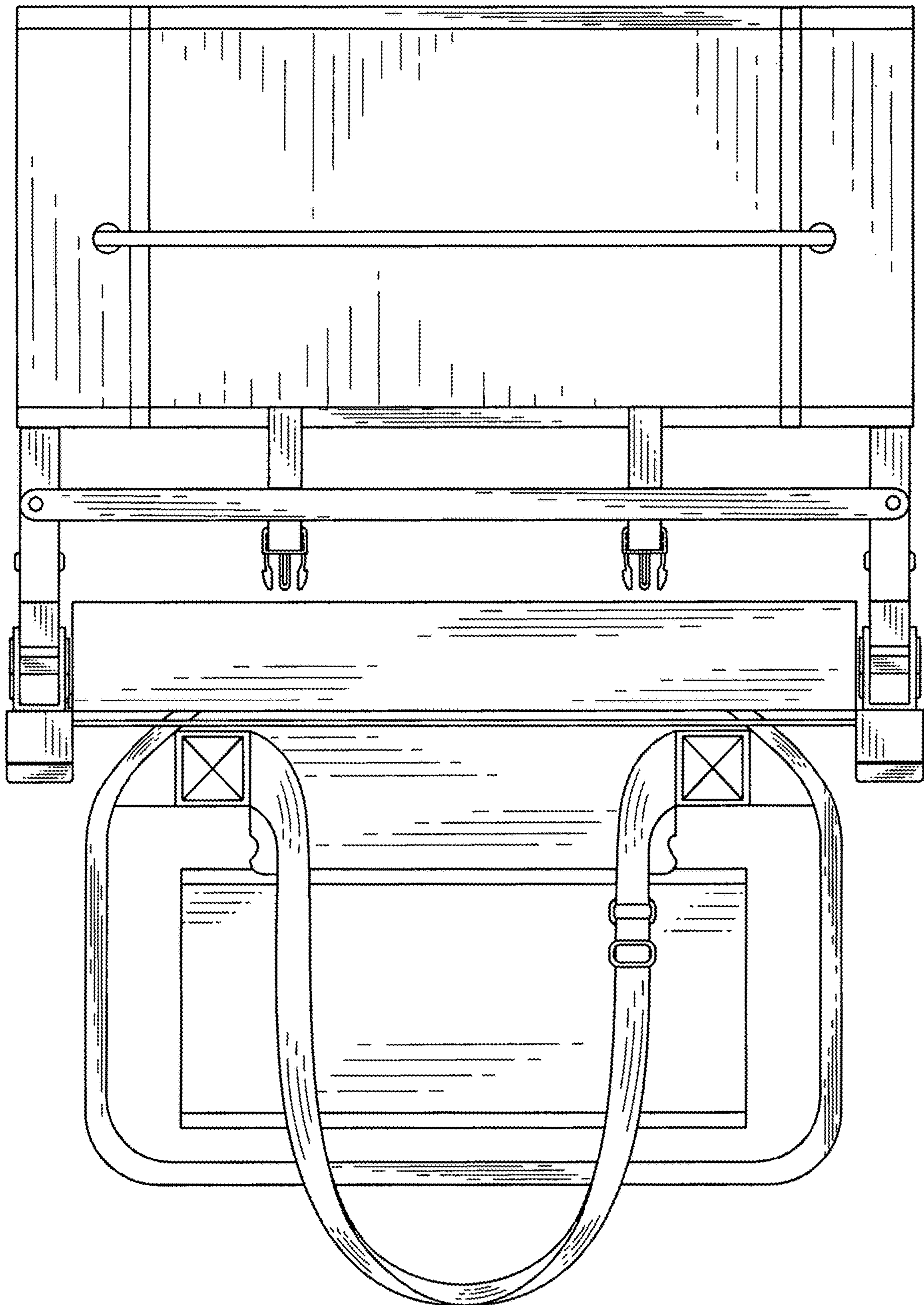


FIG. 3

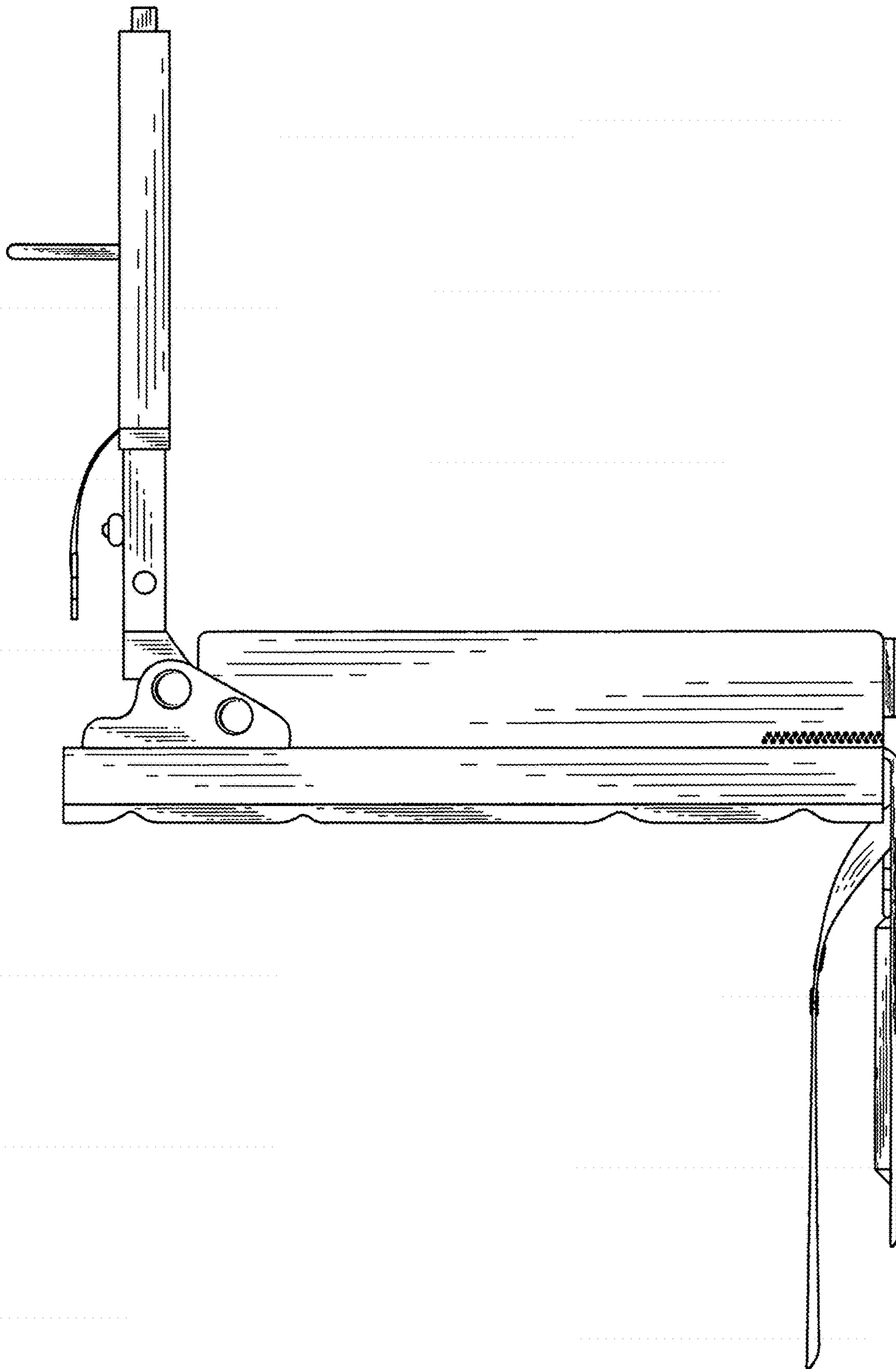


FIG. 4

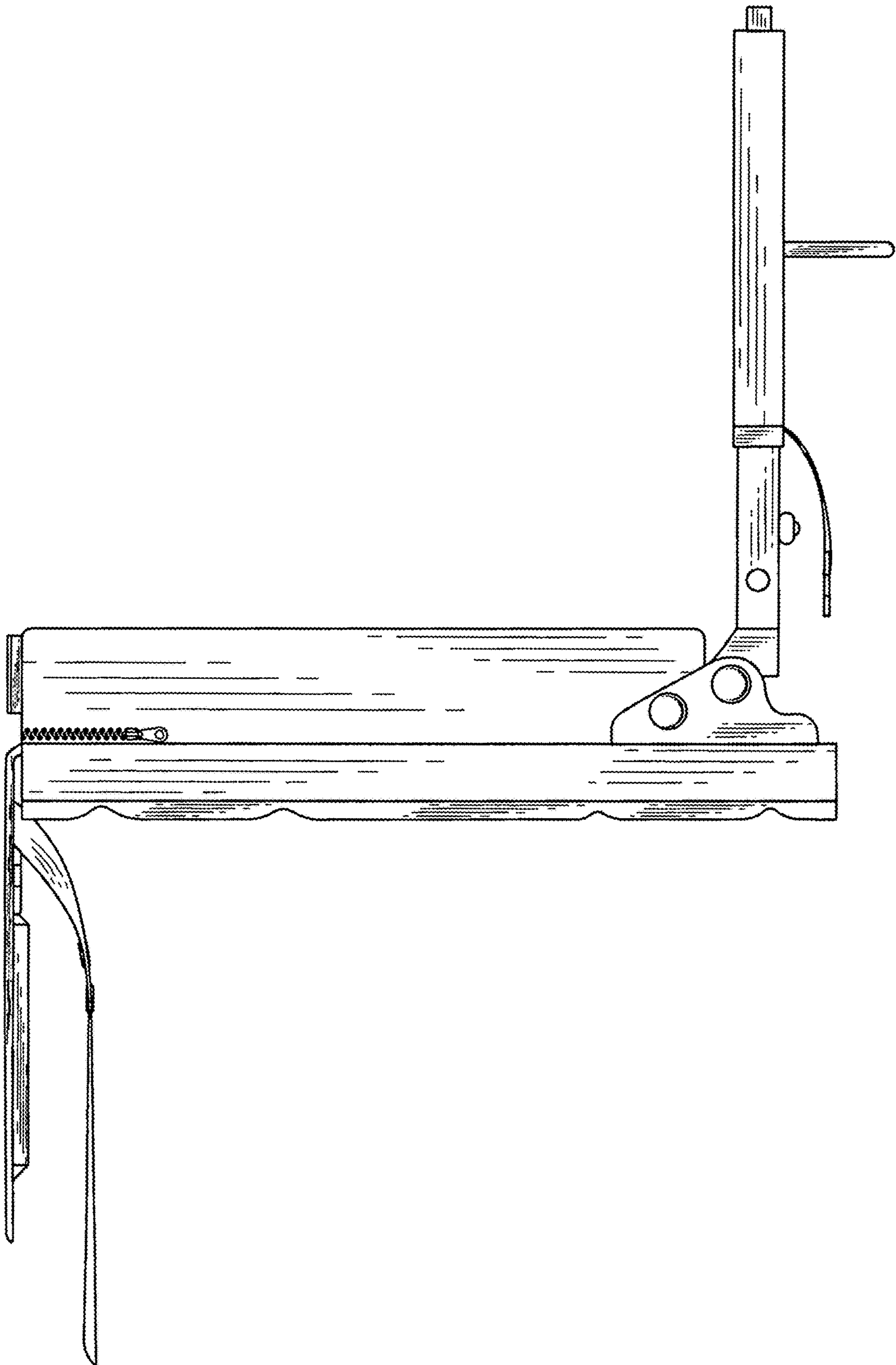


FIG. 5

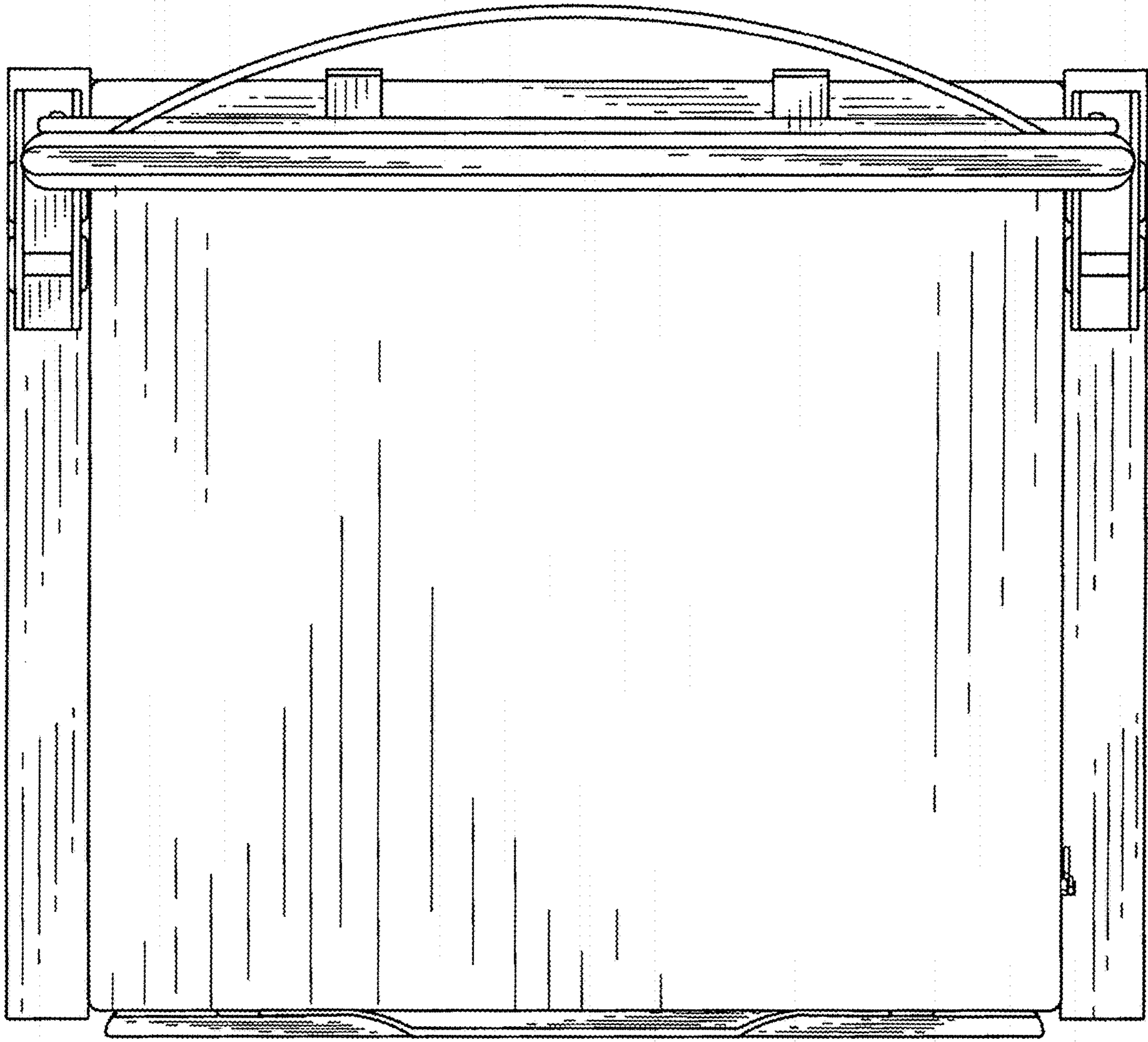


FIG. 6

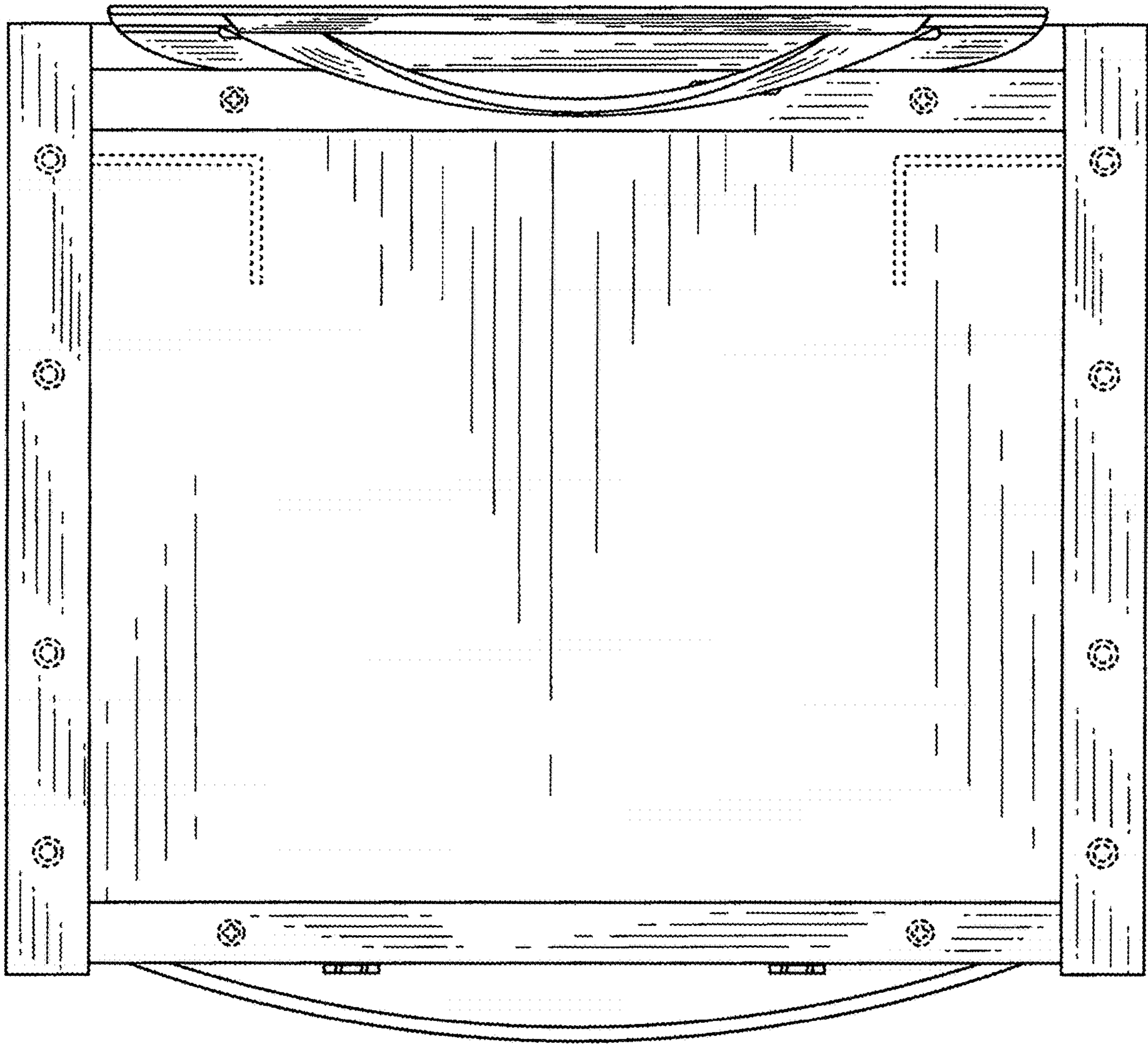


FIG. 7

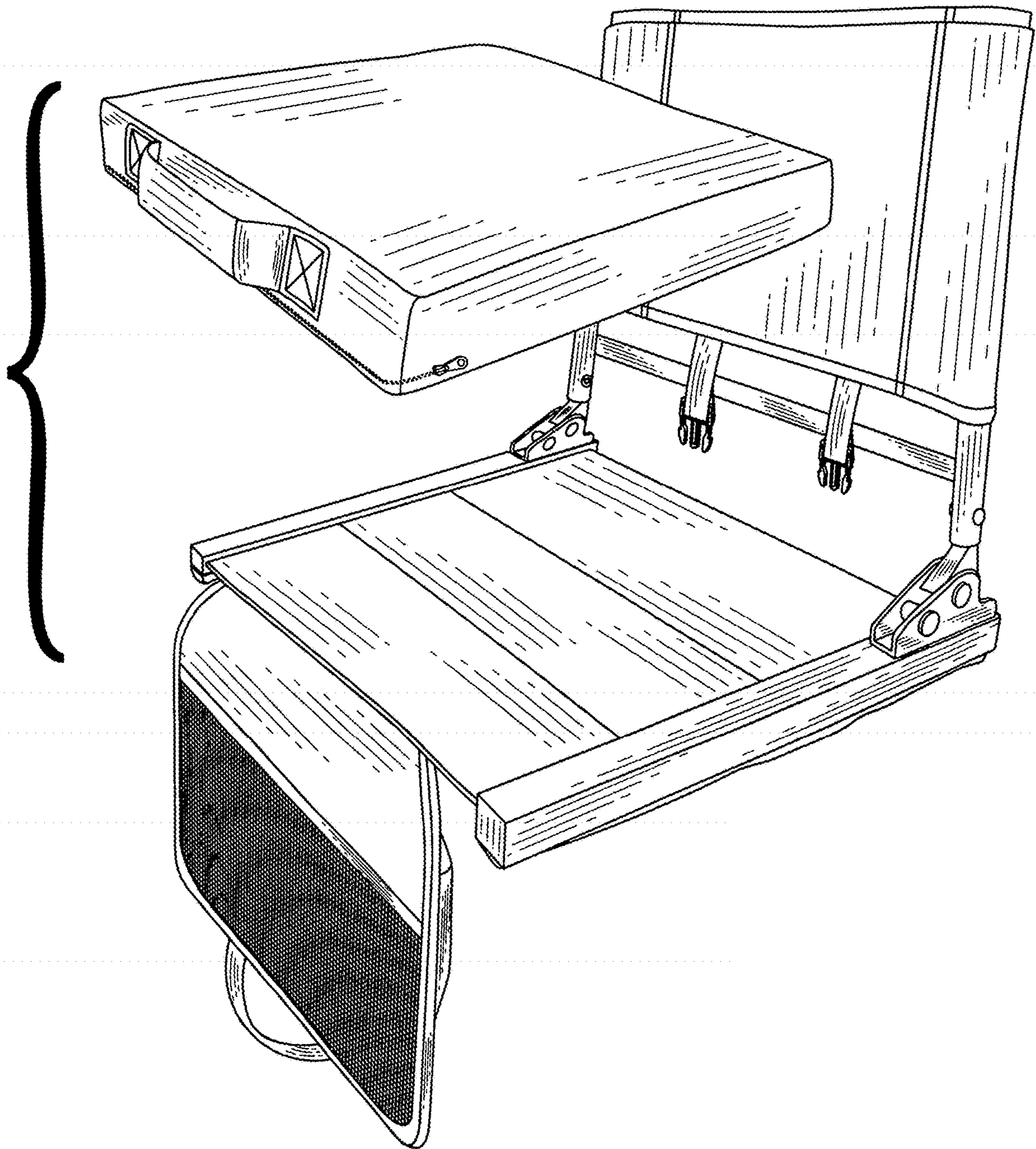


FIG. 8