



US00D956438S

(12) **United States Design Patent** (10) **Patent No.:** **US D956,438 S**  
**Maat et al.** (45) **Date of Patent:** **\*\* Jul. 5, 2022**

(54) **STOOL**

(71) Applicant: **Audwell LLC**, Holland, MI (US)  
 (72) Inventors: **Lauren Maat**, Holland, MI (US);  
**Timothy Stoepker**, Grand Rapids, MI (US); **Sarah Gesink**, Byron Center, MI (US)

(\*\*) Term: **15 Years**

(21) Appl. No.: **29/770,680**

(22) Filed: **Feb. 15, 2021**

(51) **LOC (13) Cl.** ..... **06-01**

(52) **U.S. Cl.**  
USPC ..... **D6/339**

(58) **Field of Classification Search**  
 USPC ..... D6/333-336, 339, 344, 702, 716,  
 D6/716.1-716.7; 297/183.1-183.4,  
 297/184.13, 184.15, 184.17, 250.1, 255,  
 297/256.1, 256.15, 219.12, 463.1;  
 D12/129-130, 133; D21/412, 428, 419;  
 280/30-31; 5/94, 98.1, 99.1, 101-102,  
 5/105, 655, 93.1, 12.1; 24/200  
 CPC ..... A47D 13/02; A47D 13/10; A47D 13/083;  
 A47D 1/00; A47D 1/002; A47D 1/004;  
 A47D 1/008; A47D 1/04; B60N 2/22;  
 B60N 2/24; B60N 2/2821; B60N 2/02;  
 B60N 2/10; B60N 2/16; B60N  
 2002/0212; B60N 2002/0216; B60N  
 2002/022; A47C 3/00; A47C 3/02; A47C  
 3/025; A47C 3/20

See application file for complete search history.

(56) **References Cited**

U.S. PATENT DOCUMENTS

|                |         |                  |                       |
|----------------|---------|------------------|-----------------------|
| D442,789 S *   | 5/2001  | Presnell .....   | D6/339                |
| D590,608 S *   | 4/2009  | Ebina .....      | D6/339                |
| 8,960,788 B2 * | 2/2015  | Chuah .....      | A47D 1/004<br>297/151 |
| D779,842 S *   | 2/2017  | Chuah .....      | D6/339                |
| D865,382 S *   | 11/2019 | von Bergen ..... | D6/339                |
| D881,591 S *   | 4/2020  | Özkal .....      | D6/339                |

\* cited by examiner

*Primary Examiner* — Abraham Bahta

(74) *Attorney, Agent, or Firm* — Oppenhuizen Law PLC;  
David L. Oppenhuizen

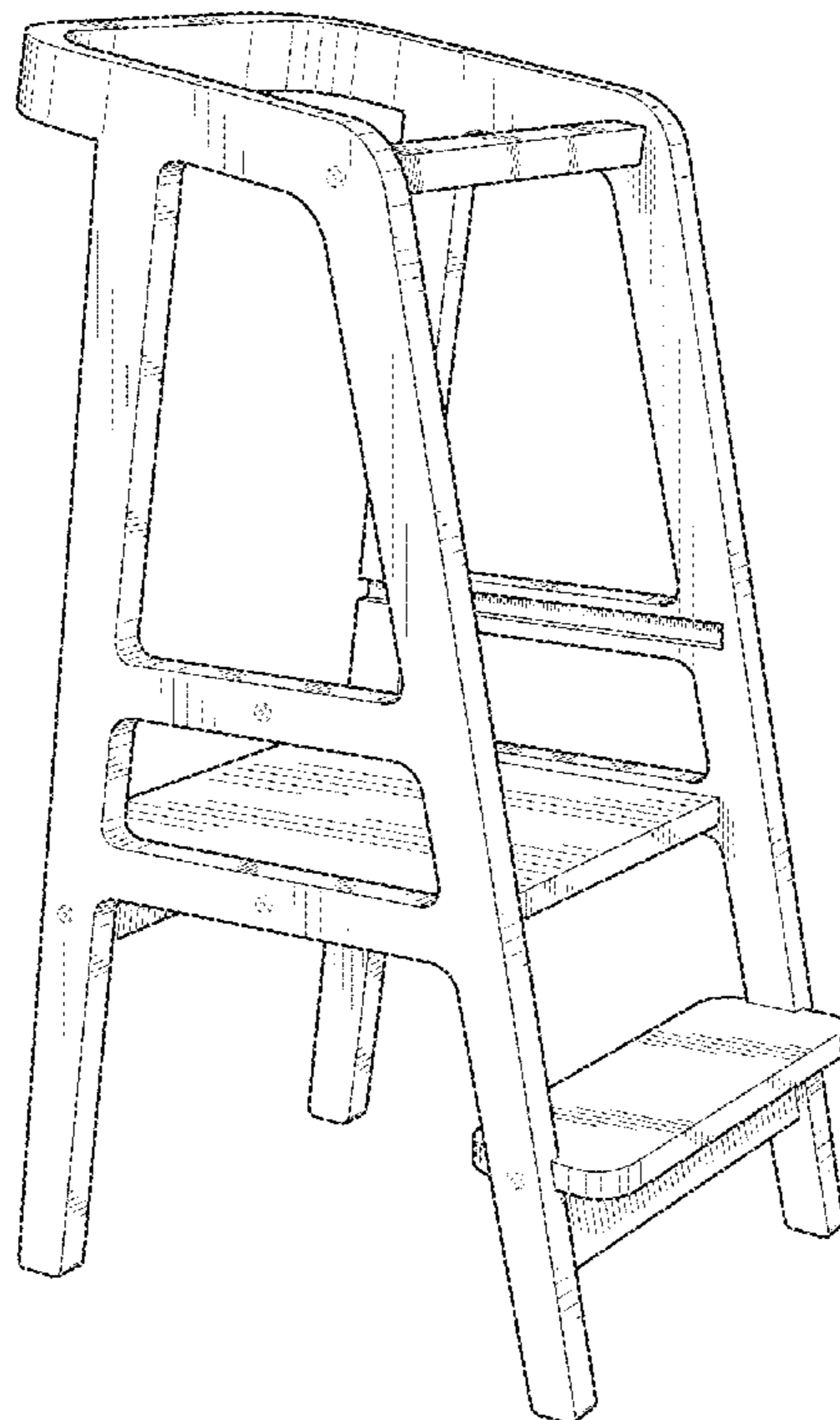
(57) **CLAIM**

The ornamental design for a stool, as shown and described.

**DESCRIPTION**

FIG. 1 is a perspective view of a stool showing the new design;  
 FIG. 2 is a right side view, the left side view being a mirror thereof;  
 FIG. 3 is a front view;  
 FIG. 4 is a rear view;  
 FIG. 5 is a top view; and,  
 FIG. 6 is a bottom view.  
 The broken lines shown in the drawings are for the purpose of illustrating portions of the article and form no part of the claimed design. The surface shading is intended to depict surface contour and forms no part of the claimed design.

**1 Claim, 5 Drawing Sheets**



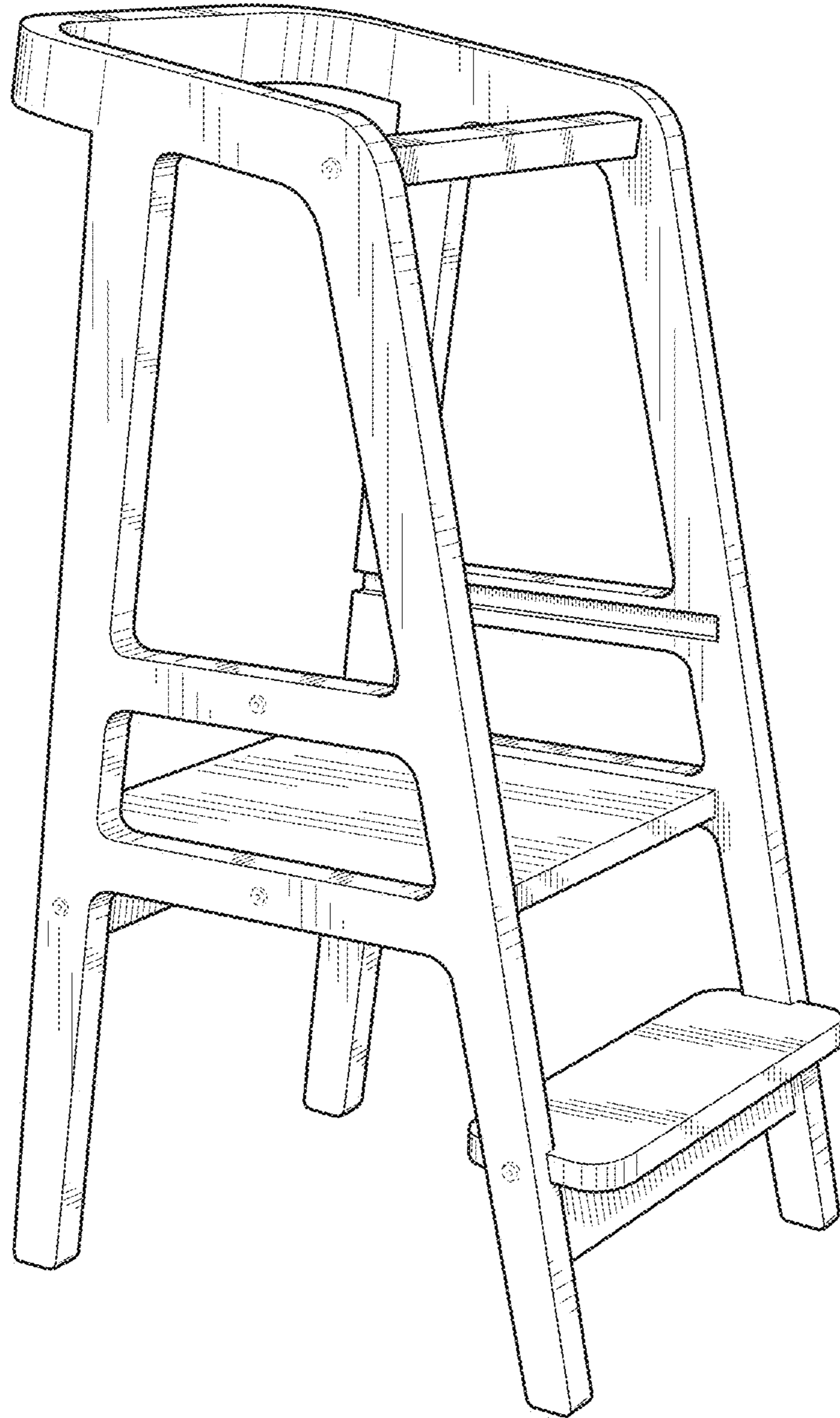


Fig. 1

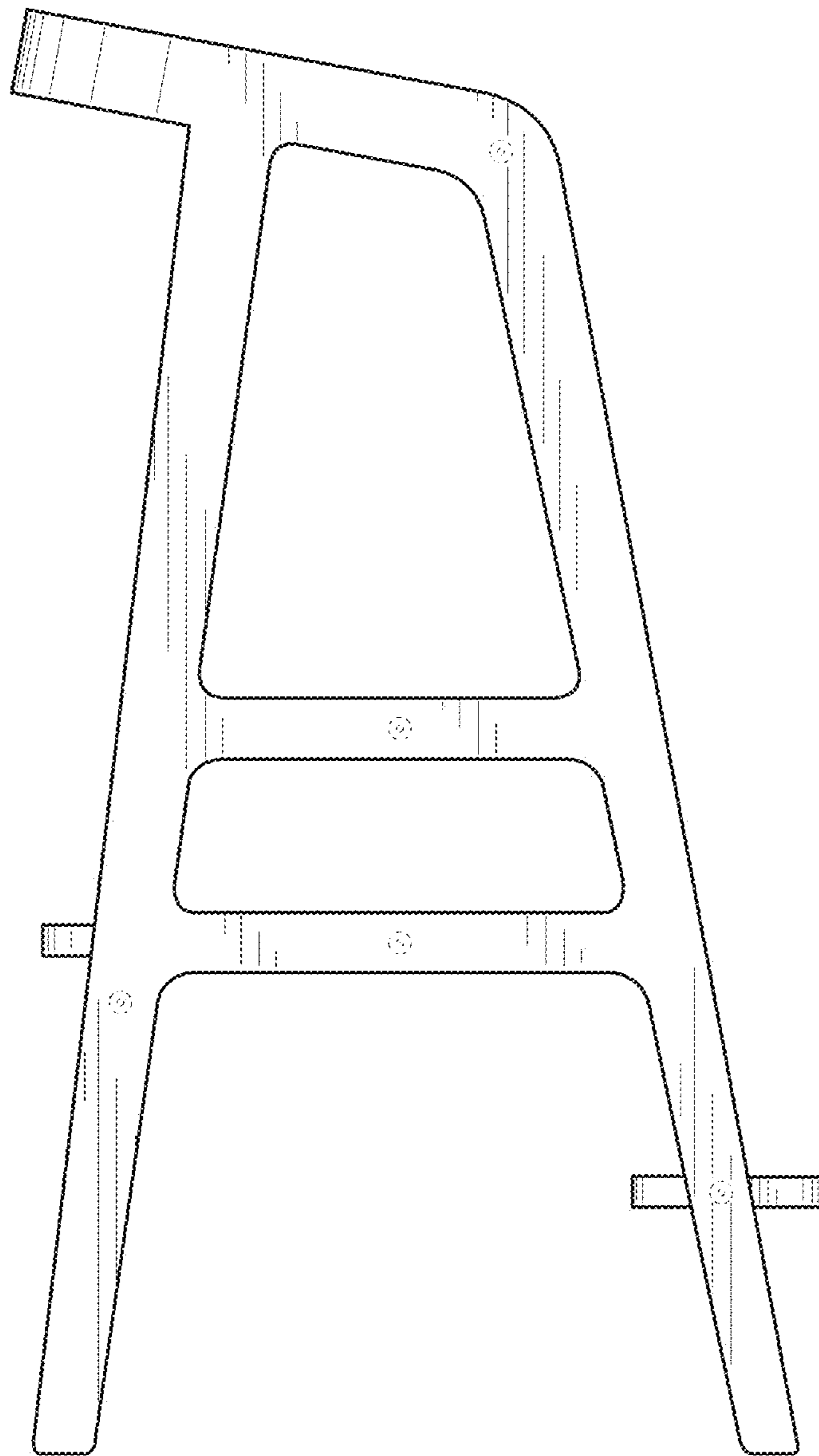


Fig. 2

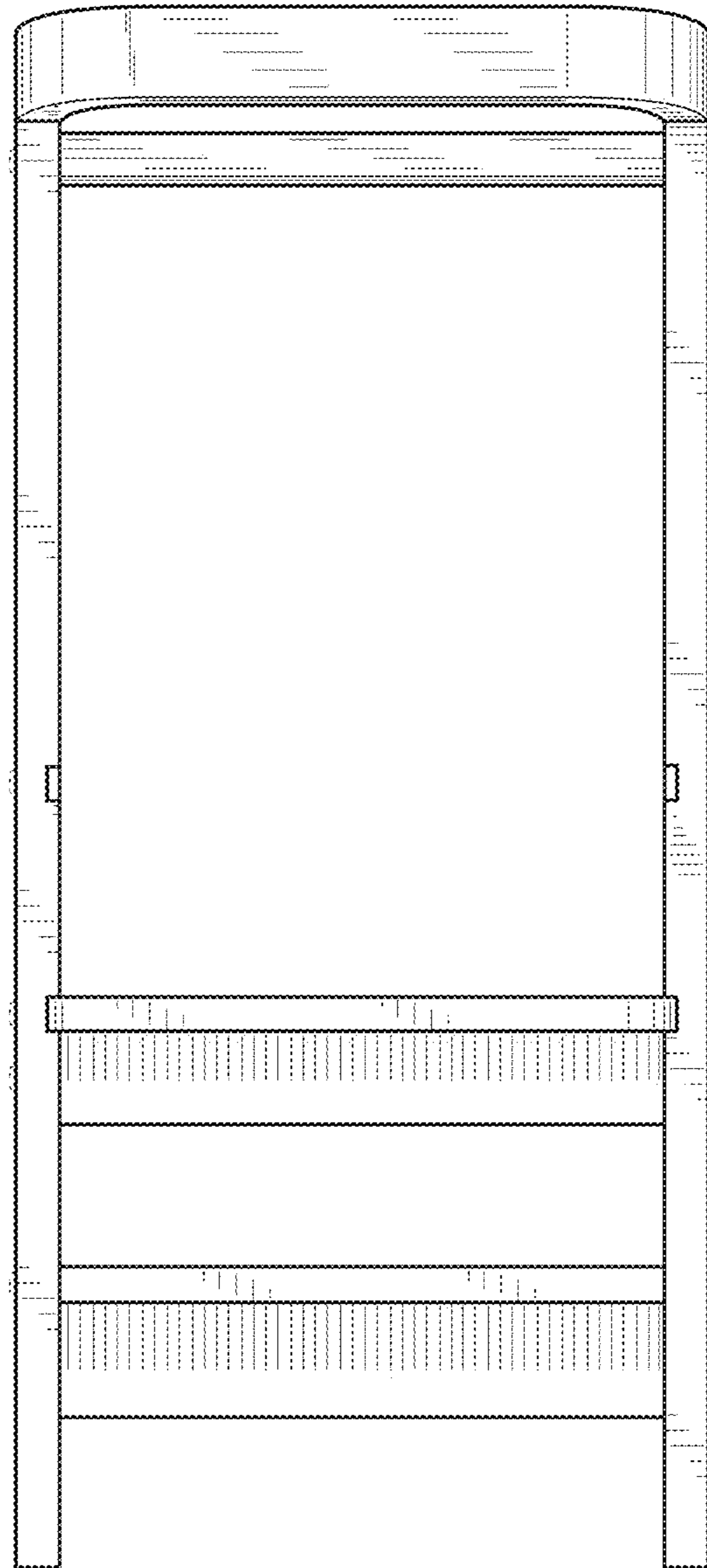


Fig. 3

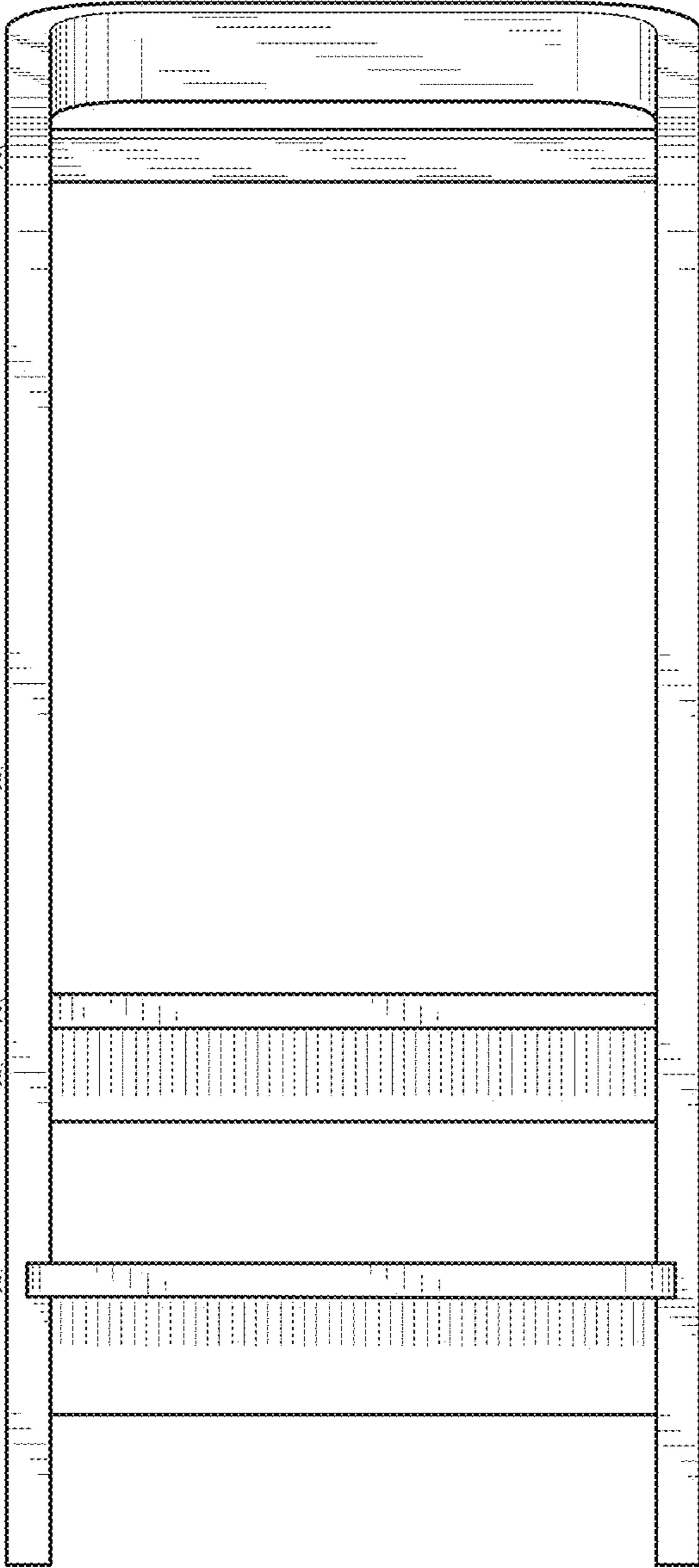


Fig. 4



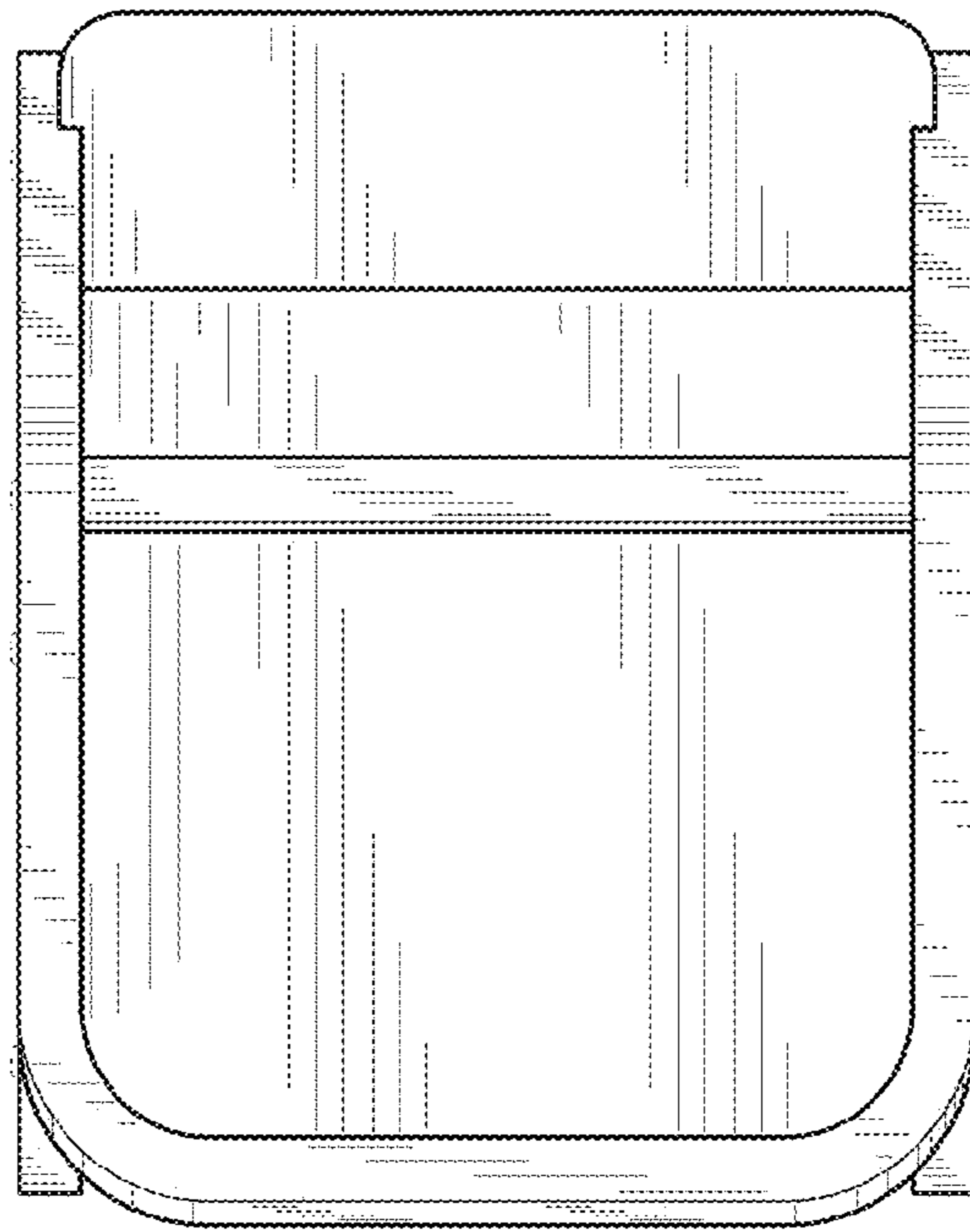


Fig. 5

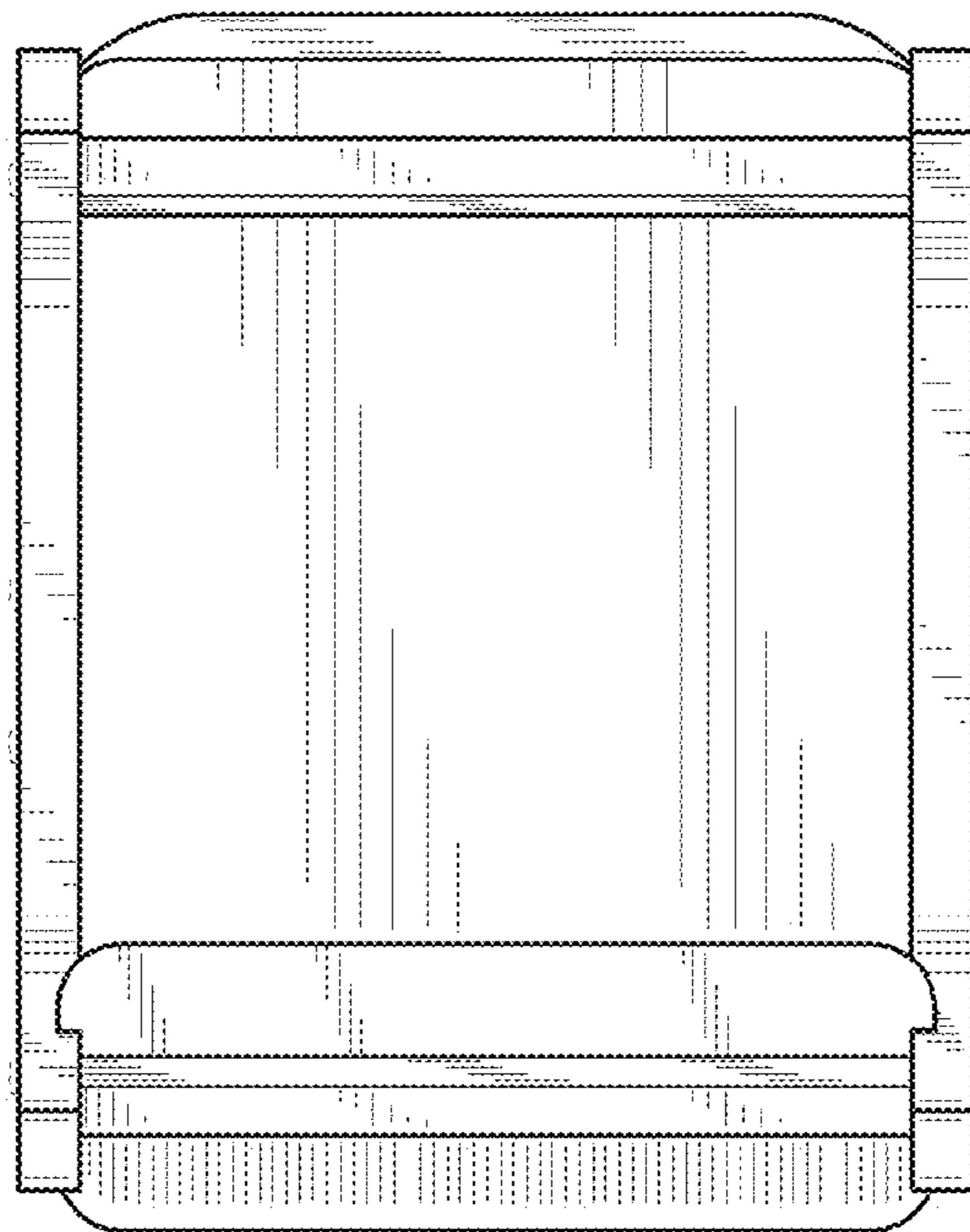


Fig. 6