



US00D956437S

(12) **United States Design Patent**  
**Lai**

(10) **Patent No.:** **US D956,437 S**

(45) **Date of Patent:** **\*\* Jul. 5, 2022**

(54) **BABY CHAIR**

(71) Applicant: **TUNG TZU INDUSTRIAL CO., LTD.**, Tainan (TW)

(72) Inventor: **Chin-I Lai**, Tainan (TW)

(73) Assignee: **TUNG TZU INDUSTRIAL CO., LTD.**, Tainan (TW)

(\*\*) Term: **15 Years**

(21) Appl. No.: **29/756,415**

(22) Filed: **Oct. 28, 2020**

(51) **LOC (13) Cl.** ..... **06-01**

(52) **U.S. Cl.**  
USPC ..... **D6/339**

(58) **Field of Classification Search**  
USPC ..... D6/333, 334, 335, 336, 361, 371, 374,  
D6/375, 381, 716.1, 716.4; 297/250.1,  
297/255, 256.15, 256.1, 183.1-183.4  
CPC .... A47C 7/24; A47C 7/36; A47C 7/20; A47C  
7/18; A47C 5/06; A47C 17/02; A47C  
4/028; B60N 2/70  
See application file for complete search history.

(56) **References Cited**

**U.S. PATENT DOCUMENTS**

D426,965 S \* 6/2000 Wu ..... D6/339  
D679,915 S \* 4/2013 Sturme y ..... D6/339

D826,685 S \* 8/2018 Altemime i ..... D8/321  
D839,616 S \* 2/2019 Yang ..... D6/339  
D901,914 S \* 11/2020 Wanders ..... D6/339  
D912,412 S \* 3/2021 Kittilsen ..... D6/339  
D924,576 S \* 7/2021 Dorca Pujol ..... D6/339

\* cited by examiner

*Primary Examiner* — Abraham Bahta

(74) *Attorney, Agent, or Firm* — Muncy, Geissler, Olds & Lowe, P.C.

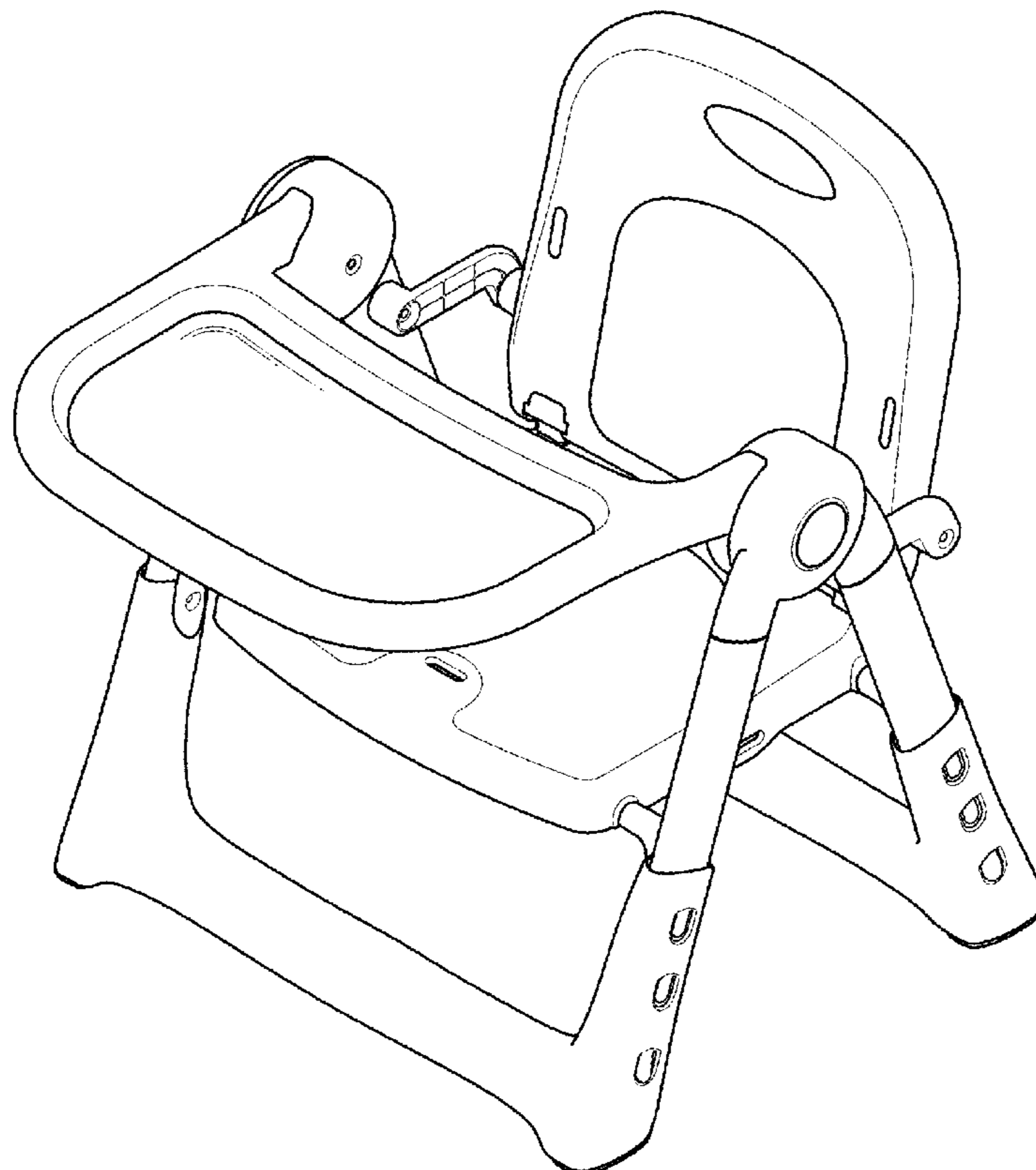
(57) **CLAIM**

The ornamental design for a baby chair, as shown and described.

**DESCRIPTION**

FIG. 1 is a perspective view of the baby chair showing my new design;  
FIG. 2 is a front elevational view thereof;  
FIG. 3 is a rear elevational view thereof;  
FIG. 4 is a left side elevational view thereof;  
FIG. 5 is a right side elevational view thereof;  
FIG. 6 is a top plan view thereof; and,  
FIG. 7 is a bottom plan view thereof.

**1 Claim, 7 Drawing Sheets**



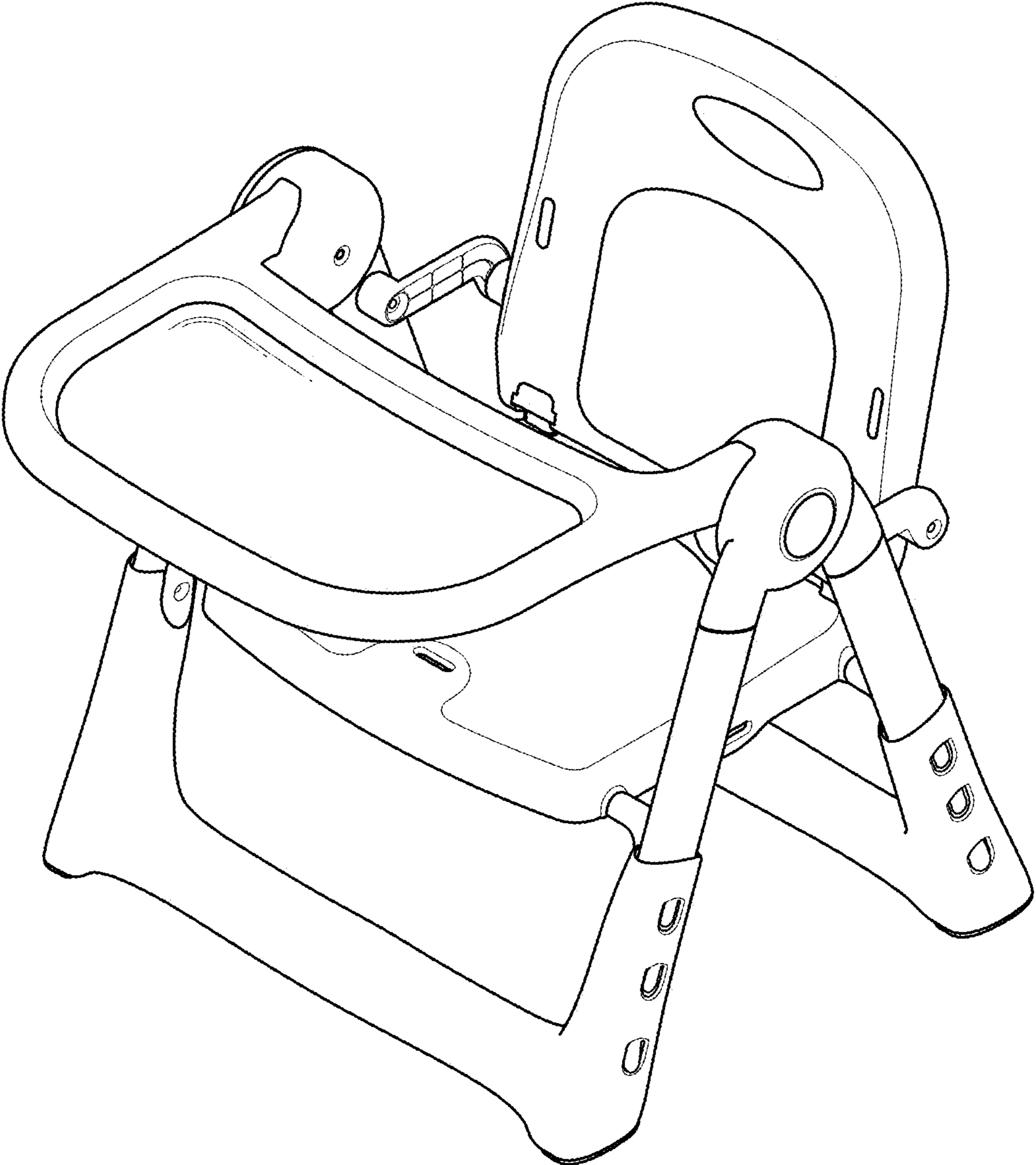


Fig. 1

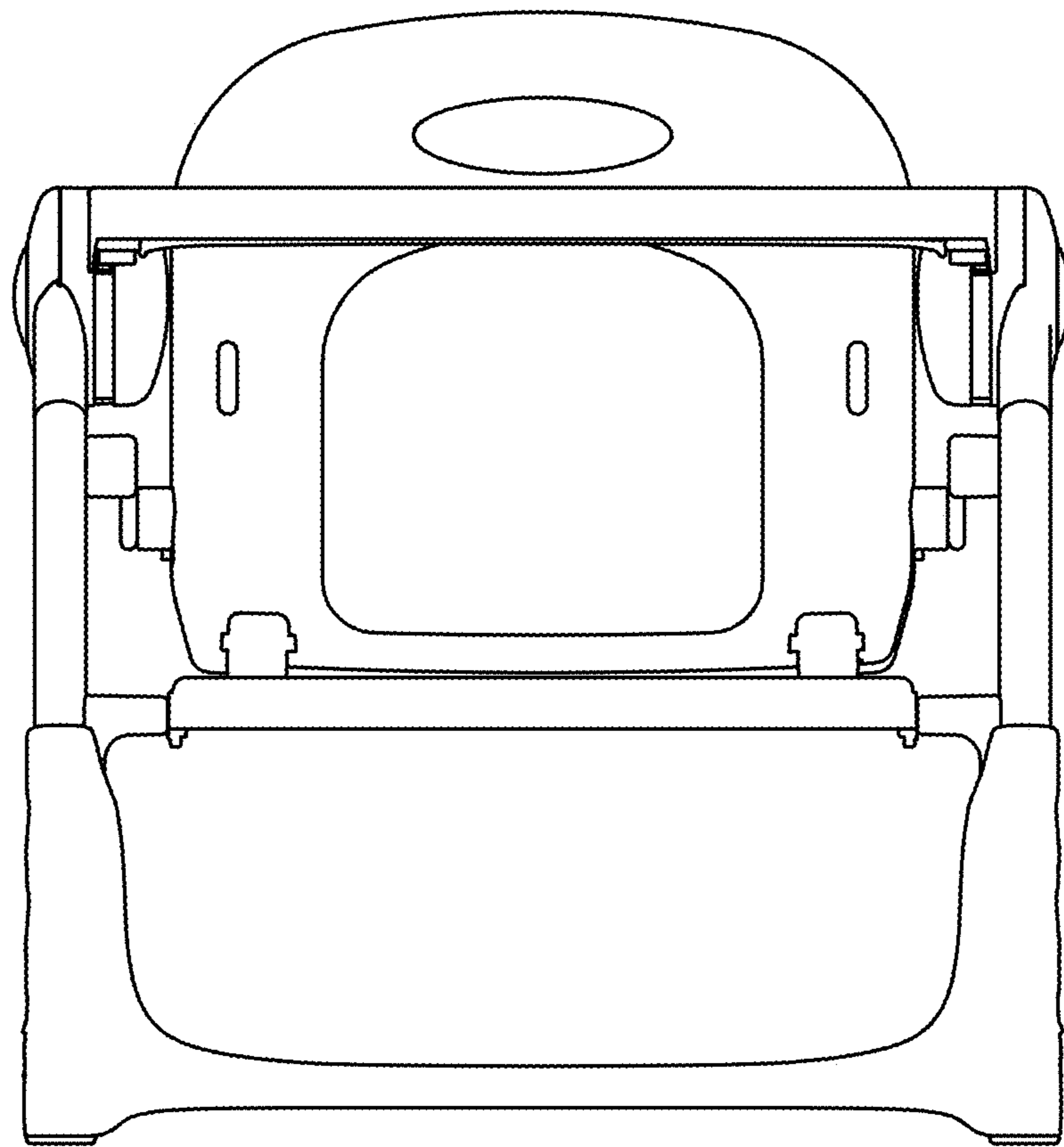


Fig.2

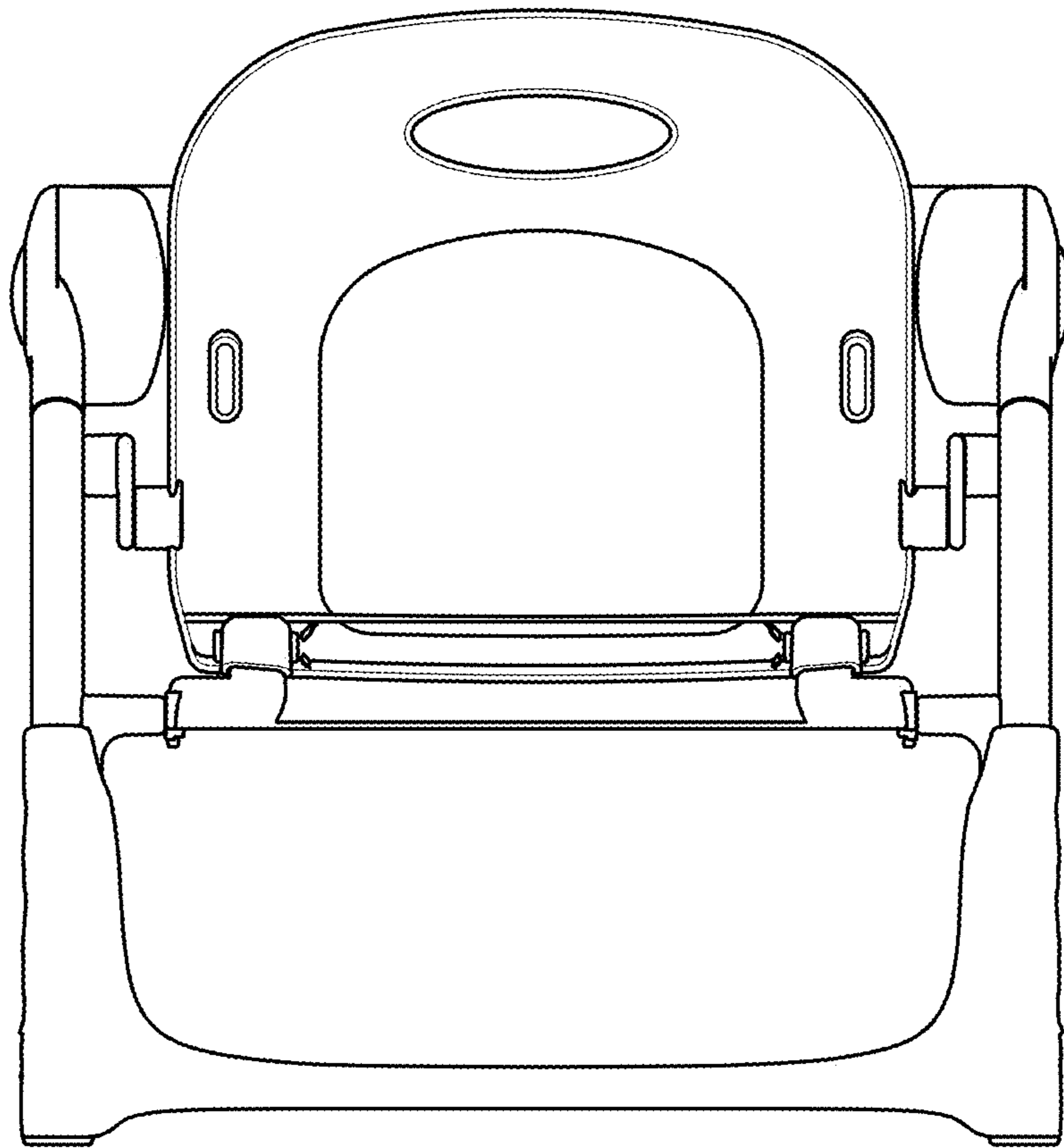


Fig.3

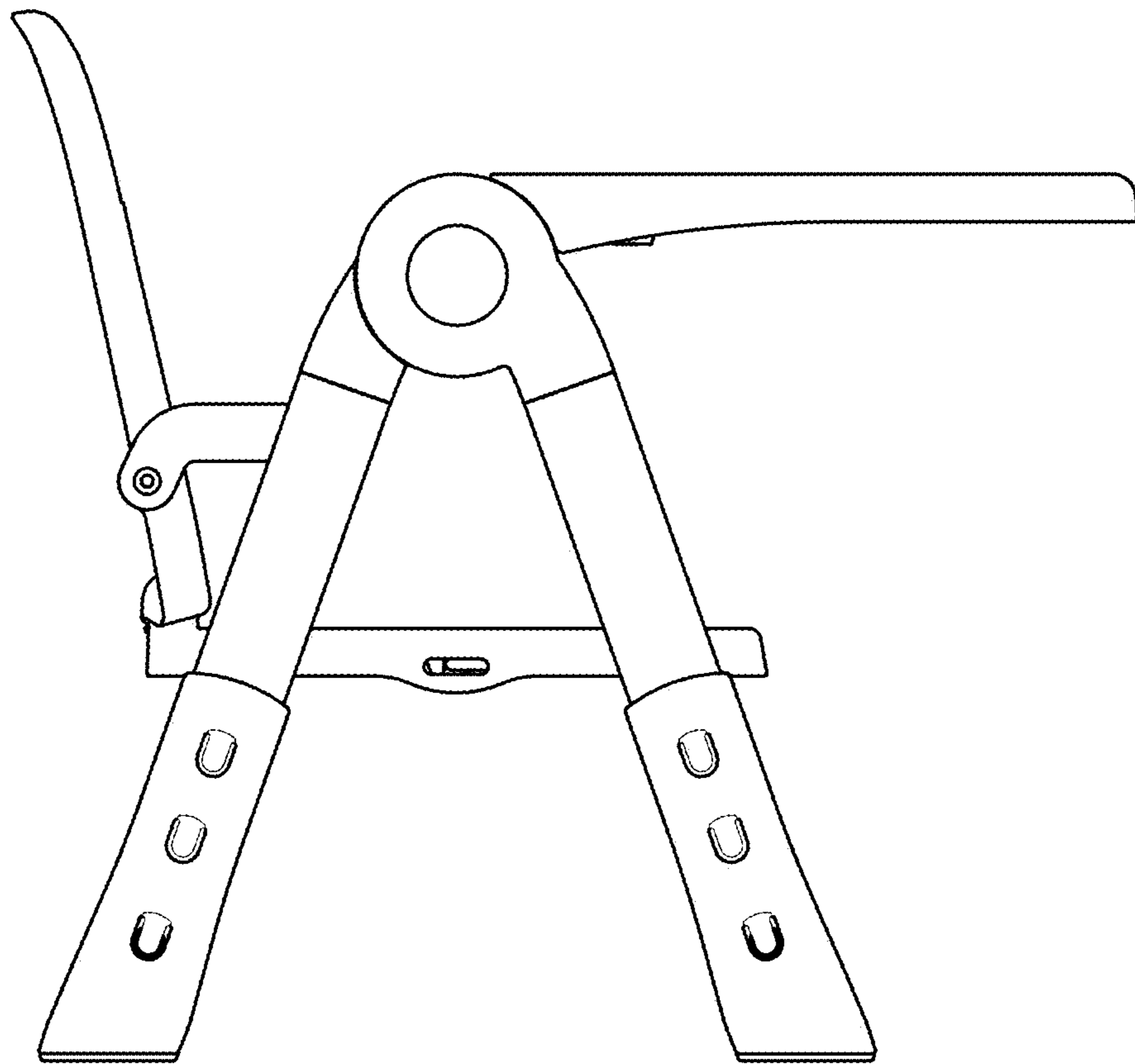


Fig.4

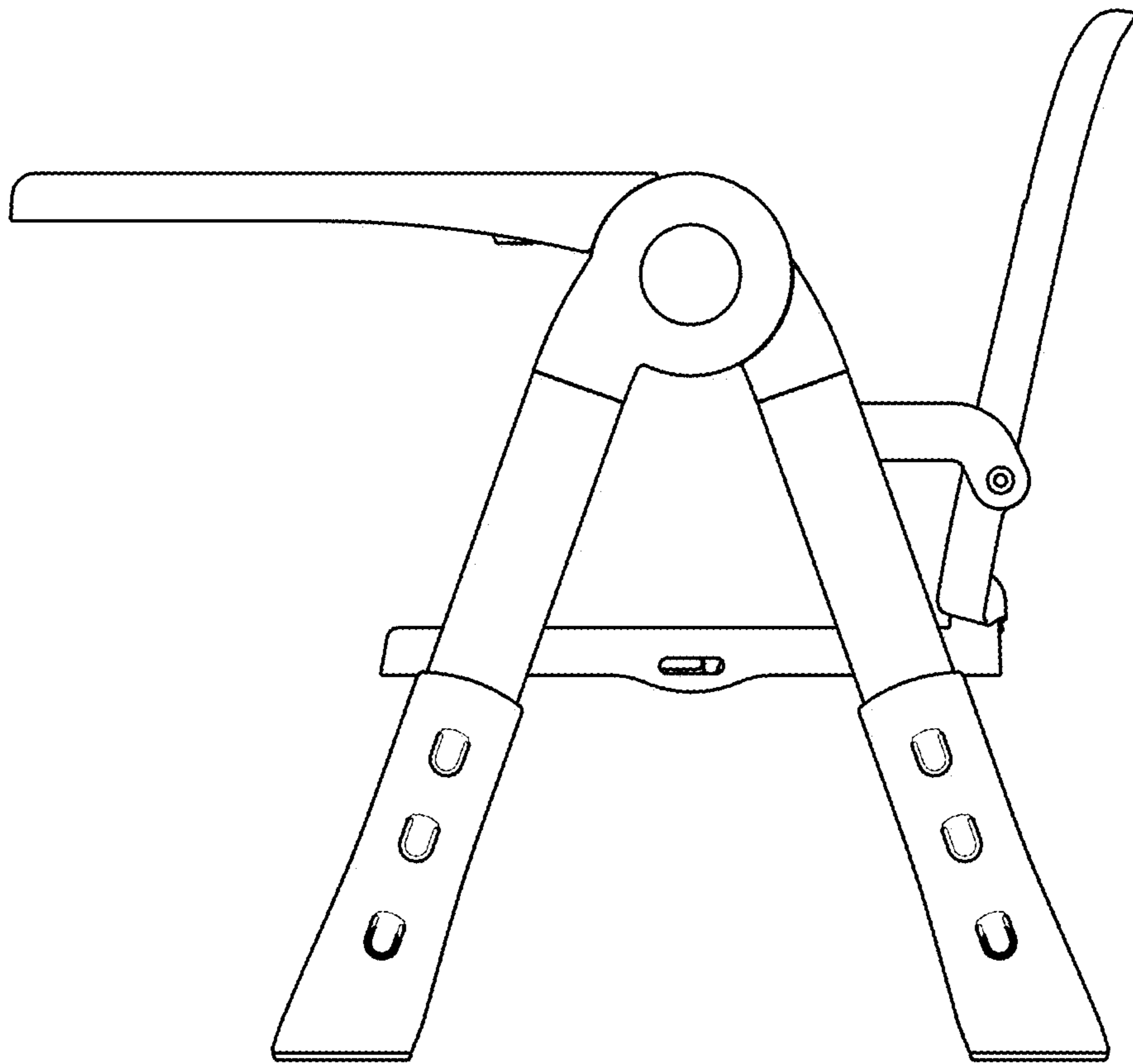


Fig.5

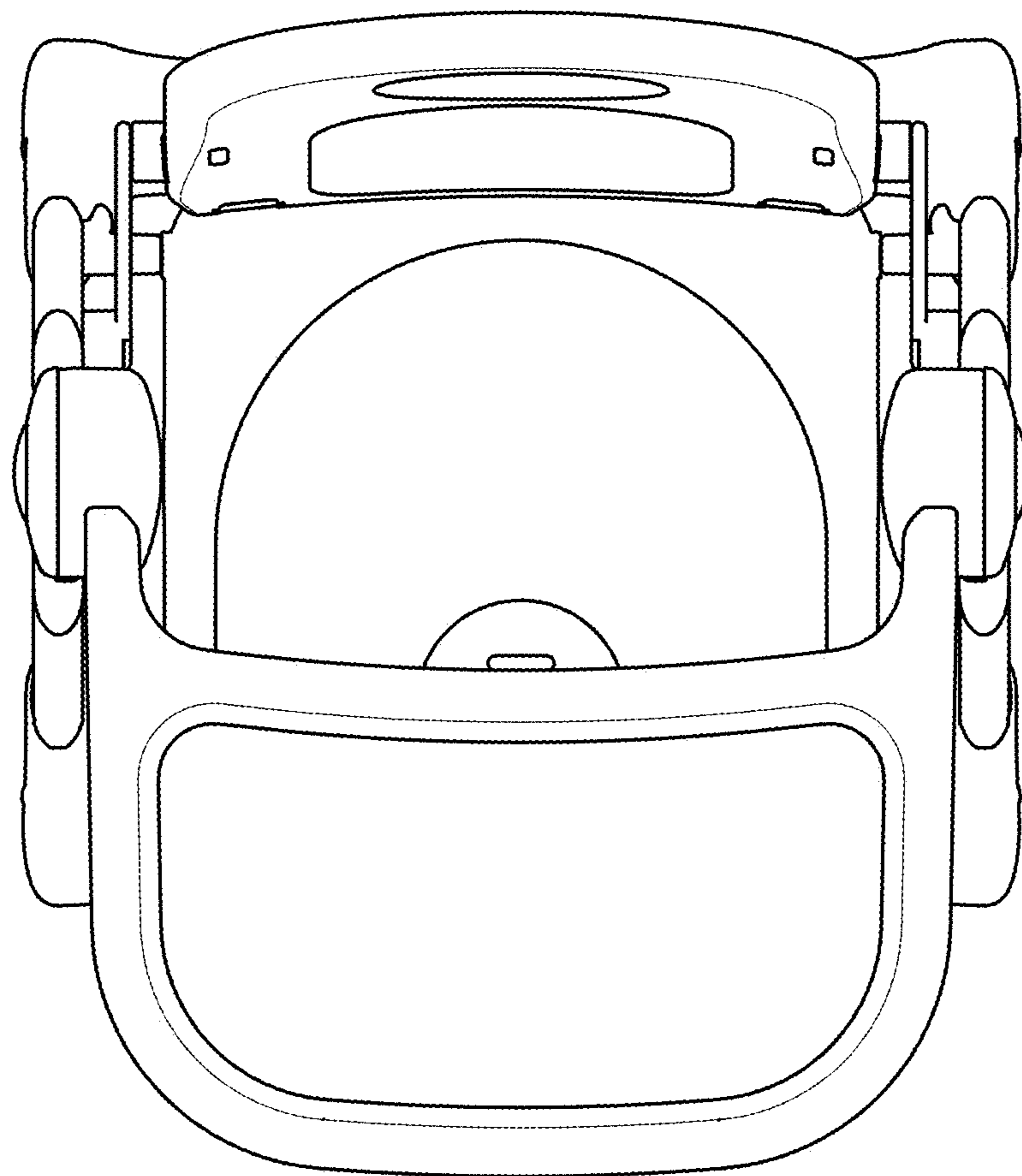


Fig.6



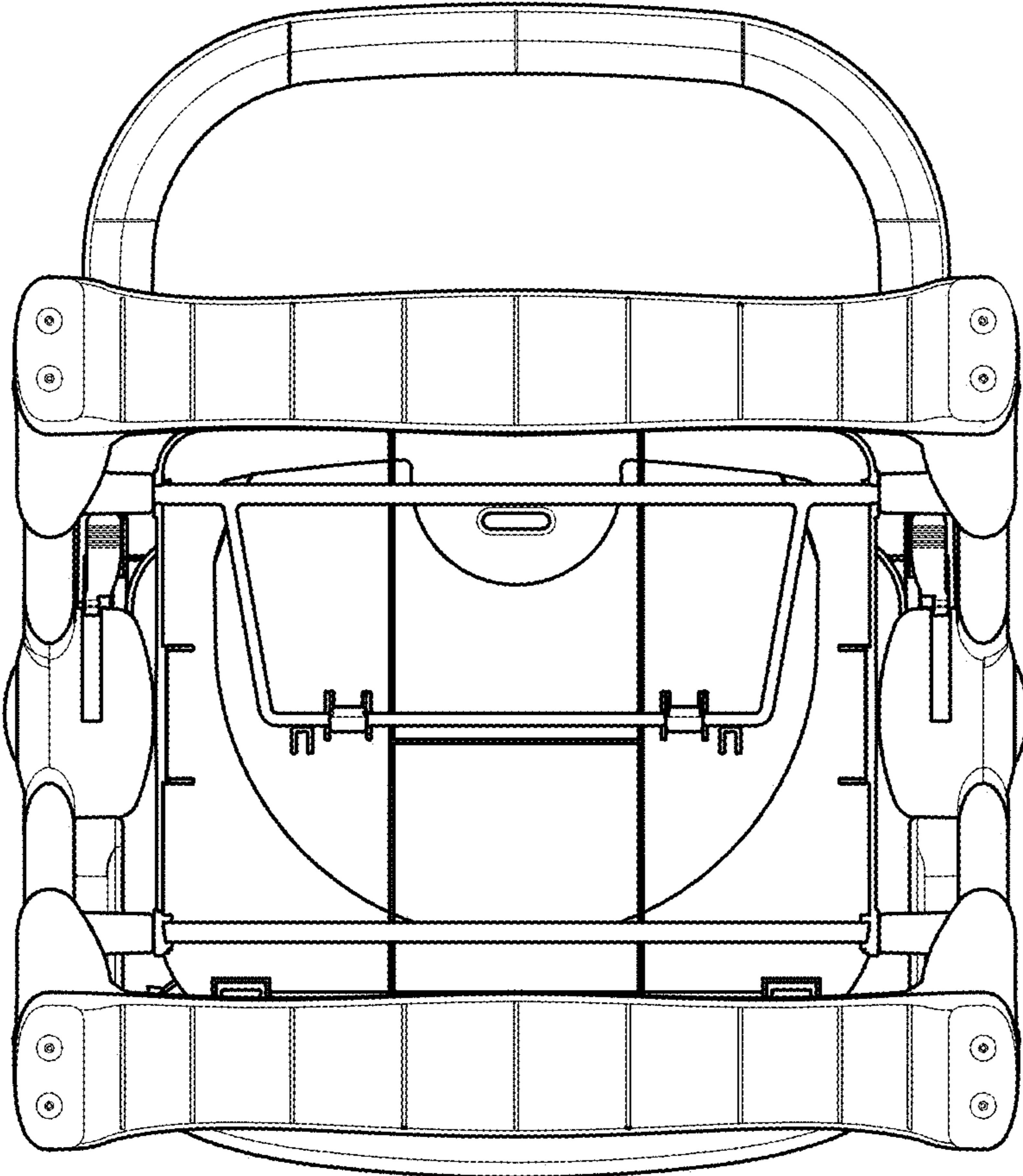


Fig.7