



US00D956436S

(12) **United States Design Patent** (10) **Patent No.:** **US D956,436 S**  
**Yang et al.** (45) **Date of Patent:** **\*\* Jul. 5, 2022**

(54) **HANGER FOR CLOTHING AND ACCESSORIES**

D254,881 S \* 5/1980 Pyskaty ..... D8/373  
D294,309 S \* 2/1988 Tegner ..... D8/367  
5,044,109 A \* 9/1991 Fast ..... A01K 97/10  
224/678

(71) Applicant: **3M INNOVATIVE PROPERTIES COMPANY**, St. Paul, MN (US)

(Continued)

(72) Inventors: **Ying Hua Yang**, Shanghai (CN);  
**Pei-Chun Chang**, Taoyuan County (TW); **Chao Ren**, Suzhou (CN); **I Lin Hsiao**, Taipei (TW)

FOREIGN PATENT DOCUMENTS

CN 303436206 11/2015  
CN 304872987 11/2018

(Continued)

(73) Assignee: **3M INNOVATIVE PROPERTIES COMPANY**, St. Paul, MN (US)

OTHER PUBLICATIONS

(\*\*) Term: **15 Years**

3M 17731 Lifestyle Series Coat Row Hook Rack. 3M (online) 5 pgs. Available as early as Sep. 15, 2021. [Retrieved Feb. 15, 2022] <https://en.pinkoi.com/product/VjVsQiHT> (Year: 2021).\*

(21) Appl. No.: **29/748,583**

(22) Filed: **Aug. 31, 2020**

*Primary Examiner* — Marie D. Fast Horse  
*Assistant Examiner* — Jennifer Sierra Yosinski

(51) **LOC (13) Cl.** ..... **06-08**

(74) *Attorney, Agent, or Firm* — 3M IPC

(52) **U.S. Cl.**

USPC ..... **D6/323**; D6/553

(58) **Field of Classification Search**

USPC ..... D6/512–514, 546, 566, 552, 553, 567,  
D6/569, 315, 320, 327, 524, 574, 323,  
D6/570, 672, 675, 681, 683; D8/349,  
D8/354, 367, 372; D20/10, 19, 42;  
D11/131, 132; 40/634; 211/85, 85.3, 30,  
211/32, 63; 248/316.8  
CPC ..... A47G 29/00; A47G 29/08; A47G 29/10;  
A47G 29/04; A47G 25/00; A47G 25/06;  
A47K 10/10

See application file for complete search history.

(57) **CLAIM**

The ornamental design for a hanger for clothing and accessories, as shown and described.

**DESCRIPTION**

FIG. 1 is a perspective view showing a new design for a hanger for clothing and accessories  
FIG. 2 is a front view thereof;  
FIG. 3 is a rear view thereof;  
FIG. 4 is a left side view thereof,  
FIG. 5 is a right side view thereof;  
FIG. 6 is a top view thereof; and,  
FIG. 7 is a bottom view thereof.

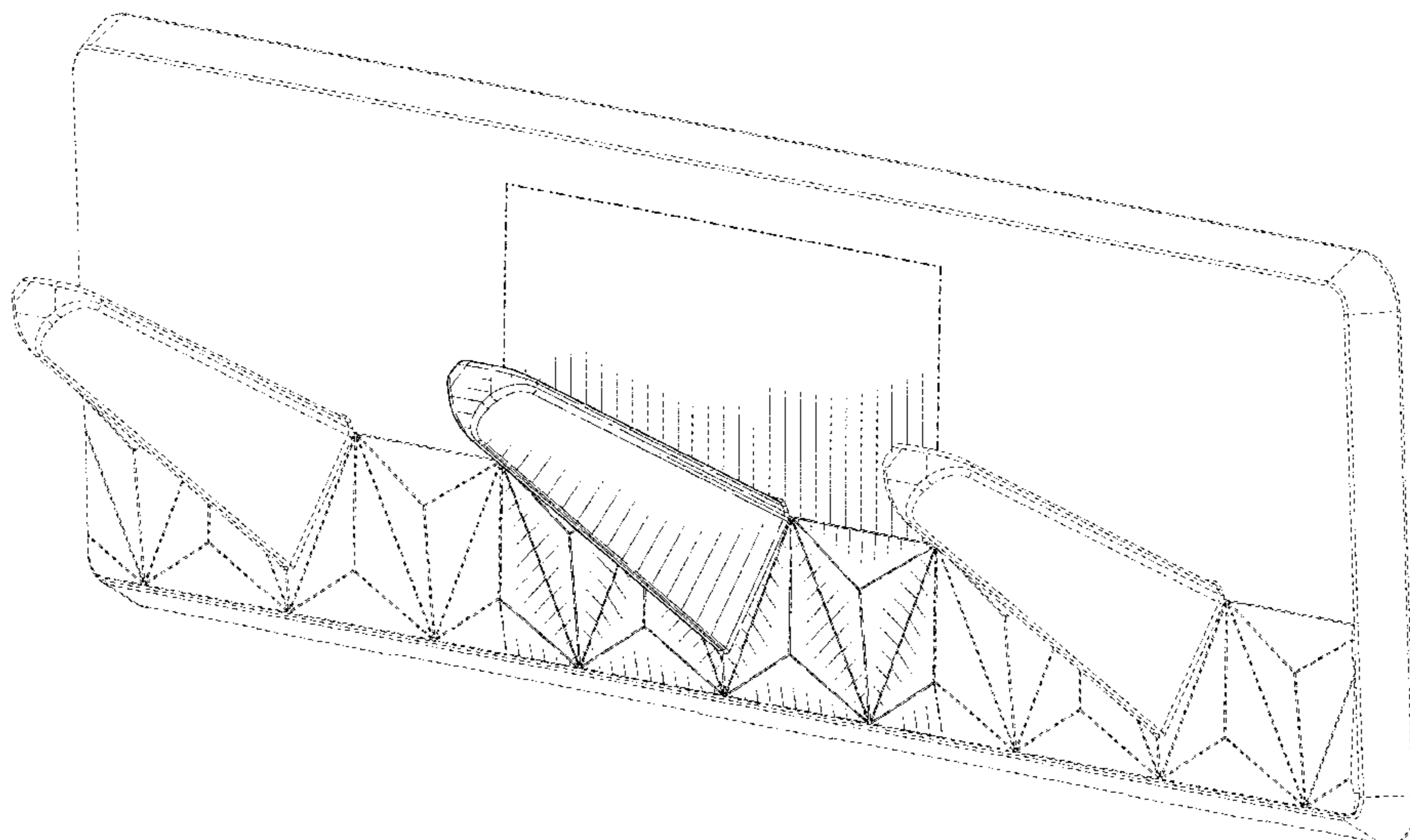
The broken lines consisting of unevenly sized dashes define the boundary of the claim, which extends to the boundary but does not include the boundary; while all other broken line depict portions of the hanger for clothing and accessories that form no part of the claimed design.

(56) **References Cited**

U.S. PATENT DOCUMENTS

D84,673 S \* 7/1931 Baker ..... D6/546  
D145,194 S \* 7/1946 Bach ..... D6/574  
2,706,049 A \* 4/1955 Andrews ..... B60R 7/10  
224/927  
3,762,570 A \* 10/1973 Tobin ..... A47G 25/74  
211/89.01

**1 Claim, 4 Drawing Sheets**



(56)

**References Cited**

2017/0037660 A1\* 2/2017 Chesterton ..... E05B 73/0094  
 2020/0305615 A1\* 10/2020 Lawson ..... A47F 5/103

U.S. PATENT DOCUMENTS

D328,417 S *	8/1992	Korpjaakko .....	D8/367
D377,599 S *	1/1997	Hofman .....	D8/372
5,669,515 A *	9/1997	Tisbo .....	B25H 3/04
			211/70.6
D390,013 S *	2/1998	Ho .....	D6/323
D390,014 S *	2/1998	Ho .....	D8/367
D396,159 S *	7/1998	Anderson .....	D6/553
D407,908 S *	4/1999	Dickinson .....	D6/320
D436,452 S	1/2001	Gastélum	
D438,413 S *	3/2001	Hawkins .....	D6/513
D567,517 S *	4/2008	Massaud .....	D6/323
D679,578 S *	4/2013	Gilboe .....	D8/372
D751,372 S	3/2016	Thompson	
D853,223 S *	7/2019	Chang .....	D8/367
D857,406 S *	8/2019	Shipps .....	D8/372
D872,567 S *	1/2020	Bond .....	D8/373
D887,254 S *	6/2020	Bond .....	D8/367

FOREIGN PATENT DOCUMENTS

CN	305535098	1/2020
CN	306837274	* 9/2021
EM	000352265-0001	8/2005
EM	000352273-0001	8/2005
EM	001174668-0002	12/2009
EM	001179444-0009	12/2009
EM	000769104-0007	1/2010
EM	001421291-0001	10/2014
EM	003466762-0006	5/2019
KR	300628524.000	1/2012
RU	00092675	4/2015
TW	216937-001	* 2/2022
WO	WO D045203-004	11/1998
WO	WO D077814-003	6/2012
WO	WO D077814-004	6/2012

\* cited by examiner

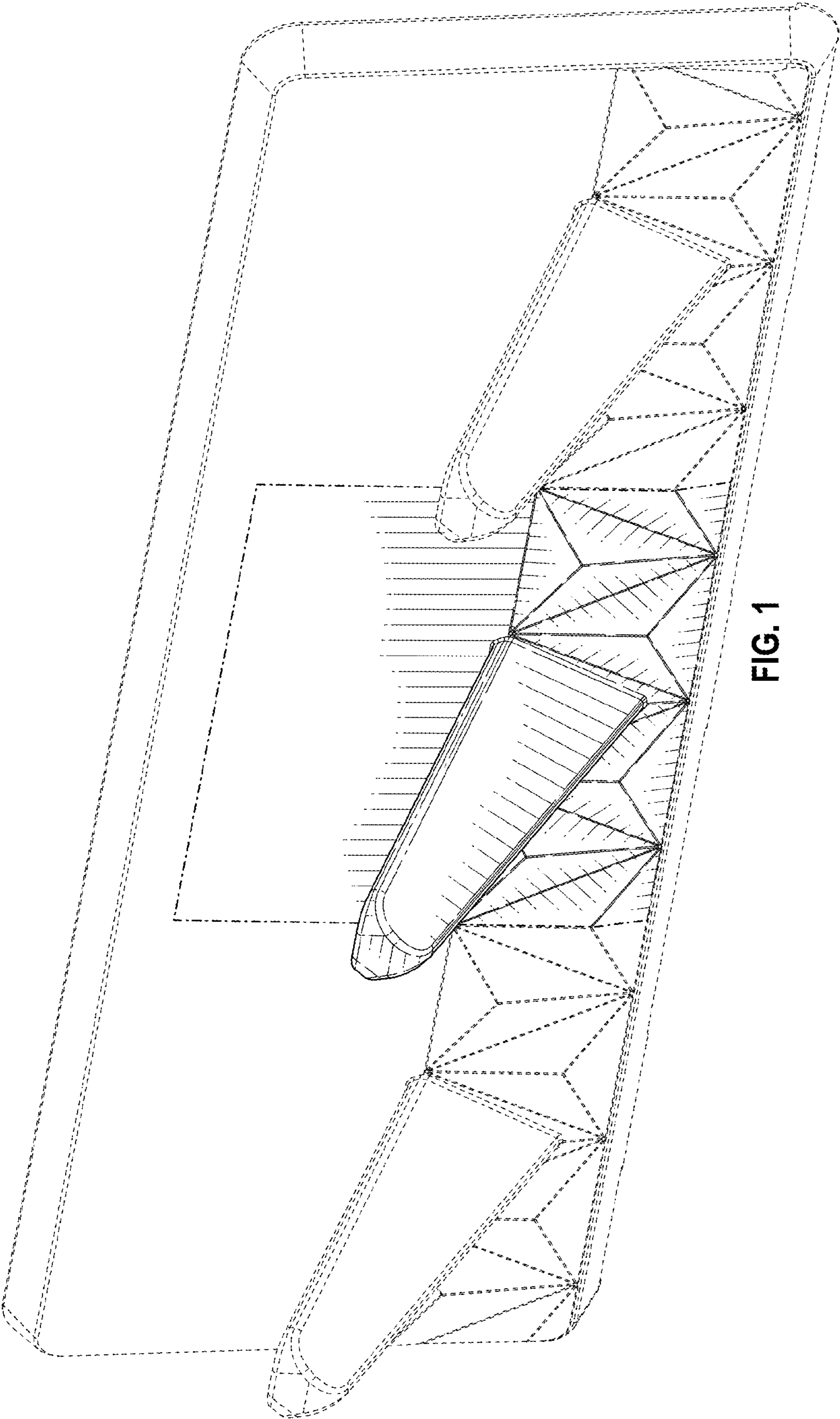


FIG. 1

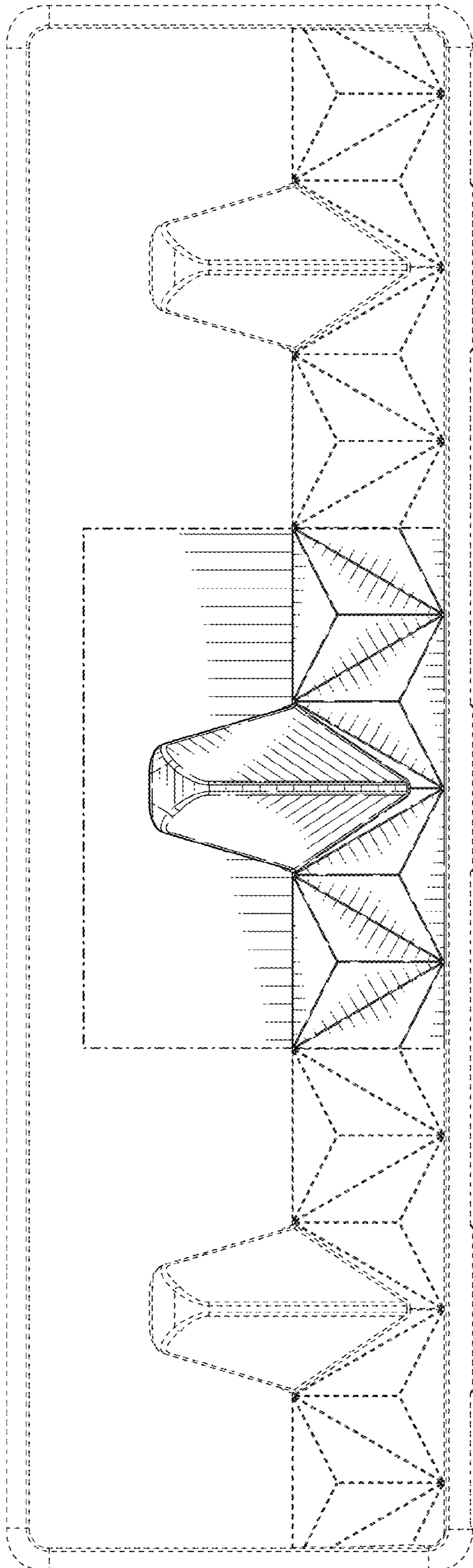


FIG. 2

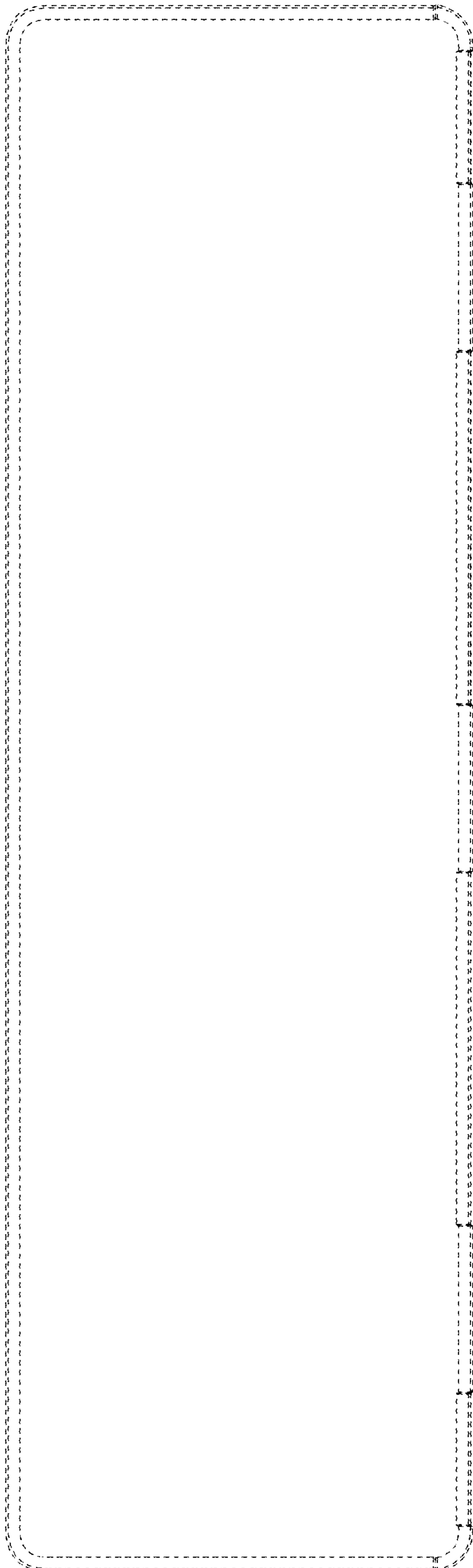


FIG. 3

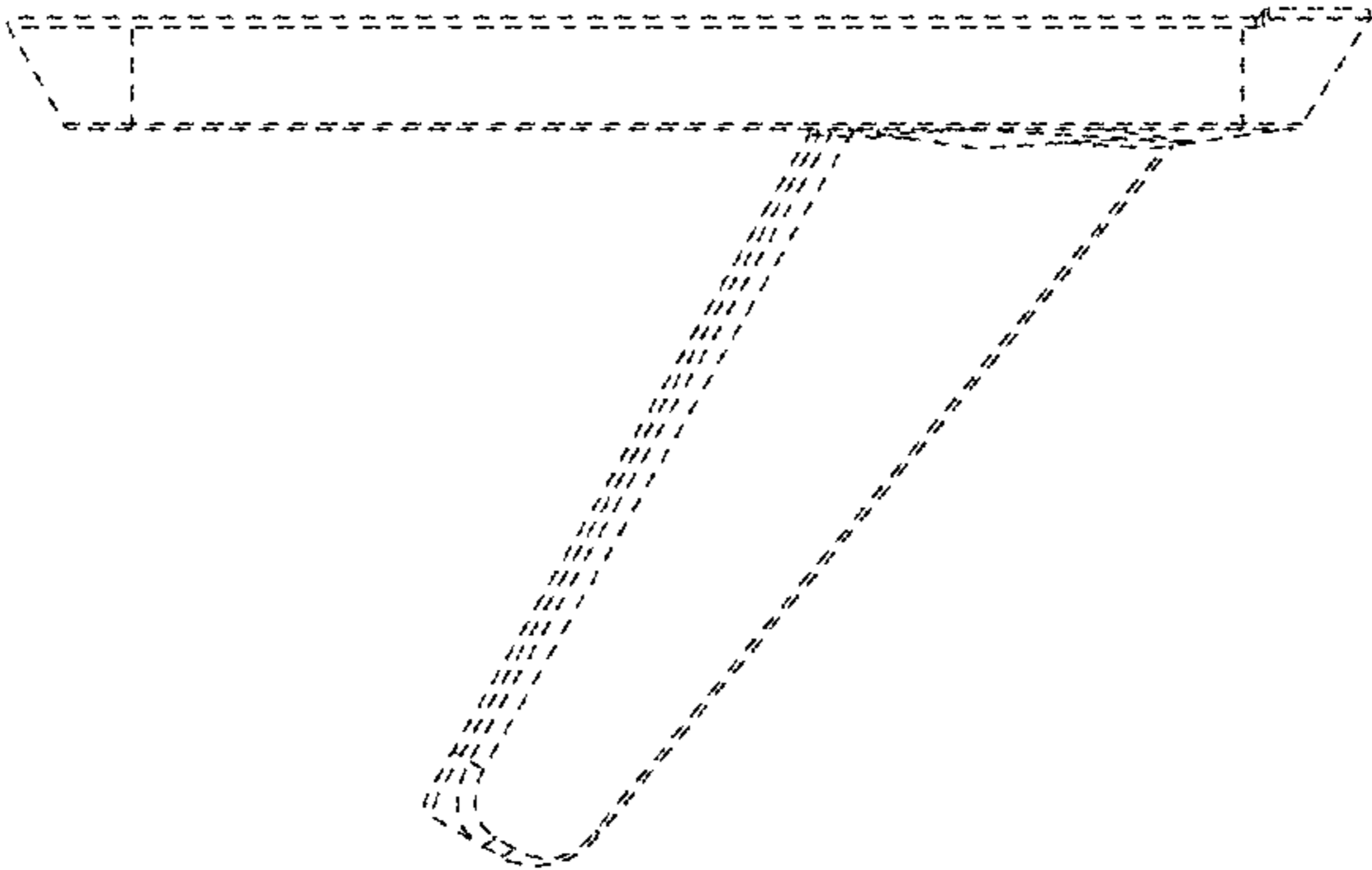


FIG. 5

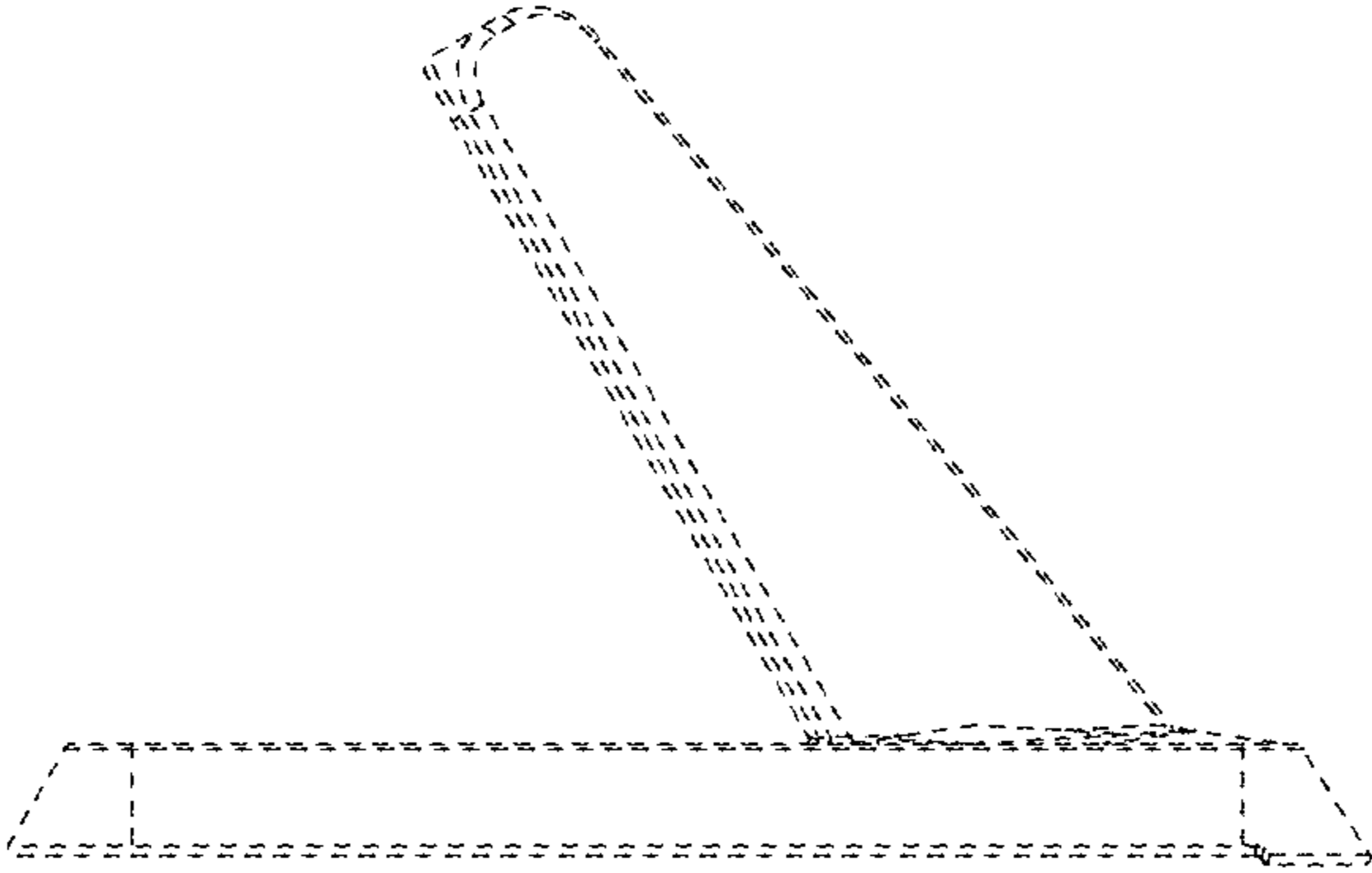


FIG. 4

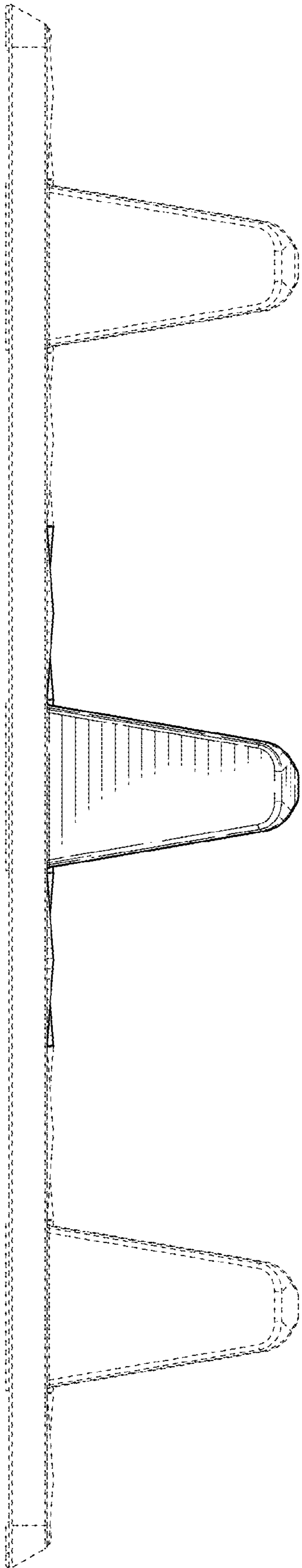


FIG. 6

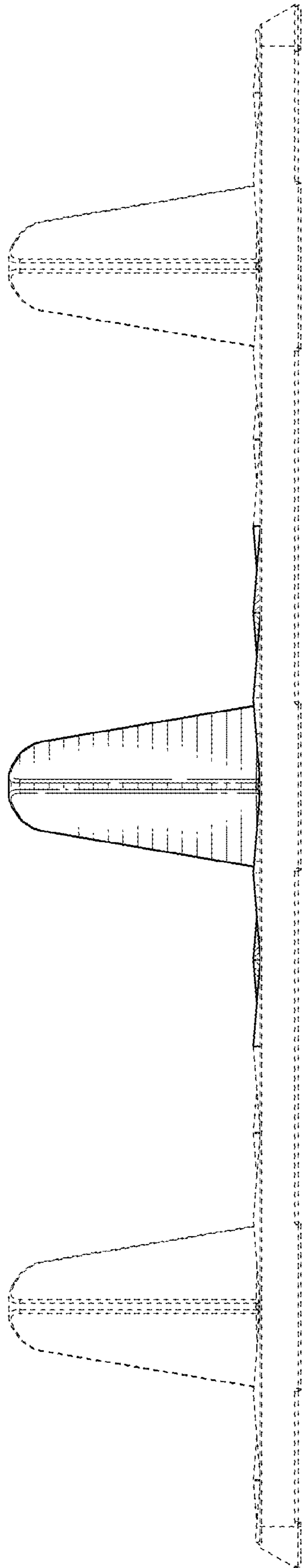


FIG. 7