



US00D956435S

(12) **United States Design Patent**
Yao

(10) **Patent No.:** **US D956,435 S**
(45) **Date of Patent:** **** Jul. 5, 2022**

(54) **DIGITAL PICTURE FRAME**

(71) Applicant: **Jin Yao**, Shenzhen (CN)

(72) Inventor: **Jin Yao**, Shenzhen (CN)

(73) Assignee: **Shenzhen SSA Electronic Co., Ltd**,
Shenzhen (CN)

(**) Term: **15 Years**

(21) Appl. No.: **29/740,484**

(22) Filed: **Jul. 4, 2020**

(51) **LOC (13) Cl.** **06-07**

(52) **U.S. Cl.**
USPC **D6/308**

(58) **Field of Classification Search**

USPC D6/300, 301, 302, 303, 304, 307, 308,
D6/309, 310, 311, 312, 313, 314;
D10/15, 21, 24; D14/336, 341, 371, 372,
D14/374, 381, 382, 448, 450; D20/10,
D20/27

CPC A47G 1/06; A47G 1/0605; A47G 1/0616;
A47G 1/0638; A47G 1/08; A47G 1/14;
A47G 1/142; A47G 1/16; A47G 1/1613;
A47G 2001/0688; A47G 2001/0694;
A47G 2001/148; G09G 2380/16

See application file for complete search history.

(56) **References Cited**

U.S. PATENT DOCUMENTS

D570,610 S * 6/2008 Chuang D14/371
D572,025 S * 7/2008 Kwon D14/371
D591,518 S * 5/2009 Zhai D14/371
D601,814 S * 10/2009 Lissola D6/311
D602,259 S * 10/2009 Finnegan D14/371
D609,018 S * 2/2010 Tzeng D14/371

D613,510 S * 4/2010 Tzeng D14/371
D615,306 S * 5/2010 Ji D14/371
D634,320 S * 3/2011 Bliven D14/371
D818,723 S * 5/2018 Moyer D6/310
D878,775 S * 3/2020 Wang D14/371

FOREIGN PATENT DOCUMENTS

CN 307203079 * 3/2022

OTHER PUBLICATIONS

Evatronic Digital Picture Frame [online], [site visited May 2, 2022]. Available from internet, URL: <https://www.amazon.com/dp/B09Q5G1TC4> (Year: 2022).*
AOCWEI Digital Picture Frame [online], [site visited May 2, 2022]. Available from internet, URL: <https://www.amazon.com/AOCWEI-Digital-Picture-Electronic-Storage/dp/B09DPF9WHW/?th=1> (Year: 2021).*

* cited by examiner

Primary Examiner — Cynthia Ramirez
Assistant Examiner — Xavier Marti-Santos

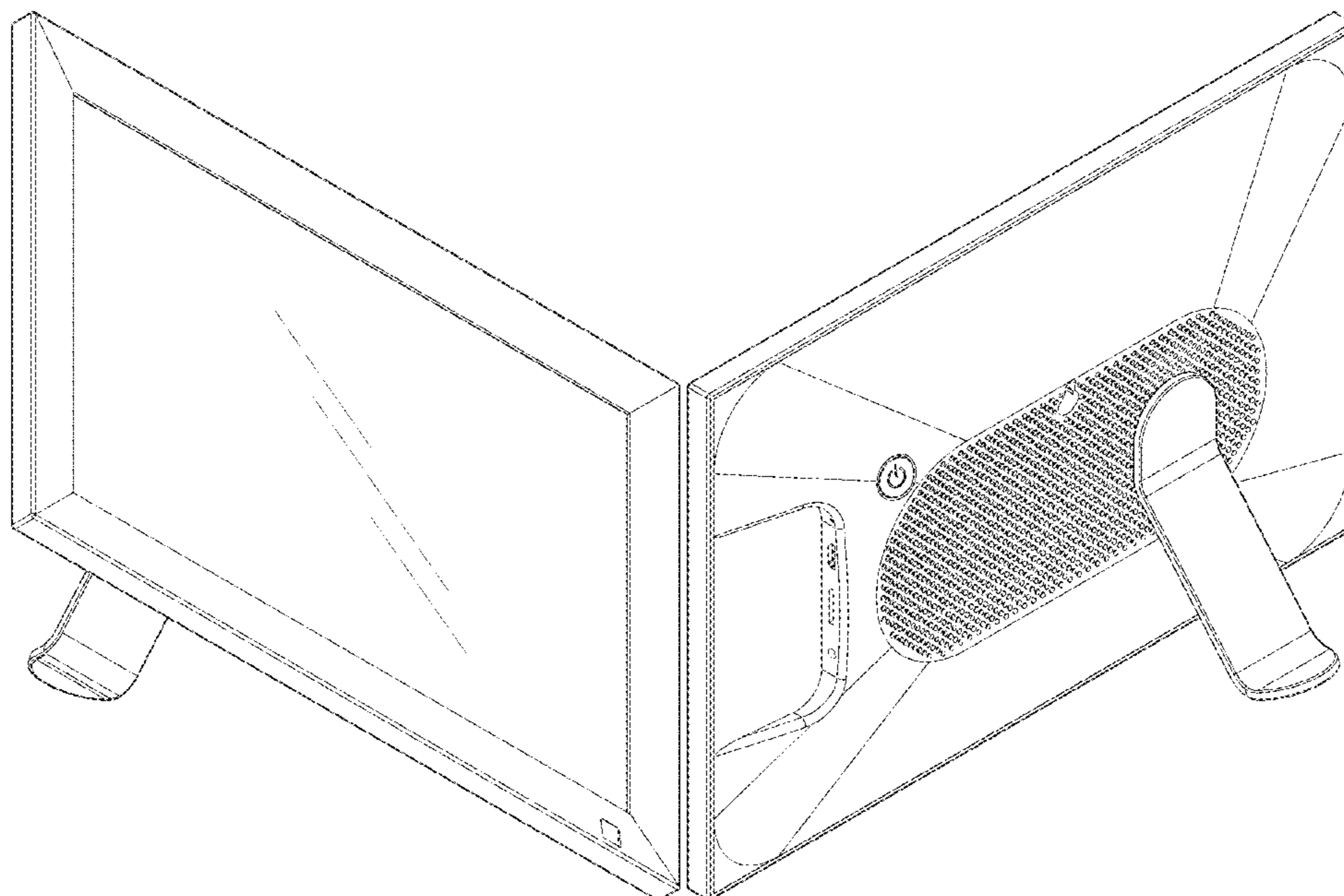
(57) **CLAIM**

The ornamental design for a digital picture frame, as shown and described.

DESCRIPTION

FIG. 1 is a front, bottom perspective view of a digital picture frame showing my new design;
FIG. 2 is a rear, top perspective view thereof;
FIG. 3 is a front elevational view thereof;
FIG. 4 is a rear elevational view thereof;
FIG. 5 is a left side elevational view thereof;
FIG. 6 is a right side elevational view thereof;
FIG. 7 is a top plan view thereof; and,
FIG. 8 is a bottom plan view thereof.

1 Claim, 8 Drawing Sheets



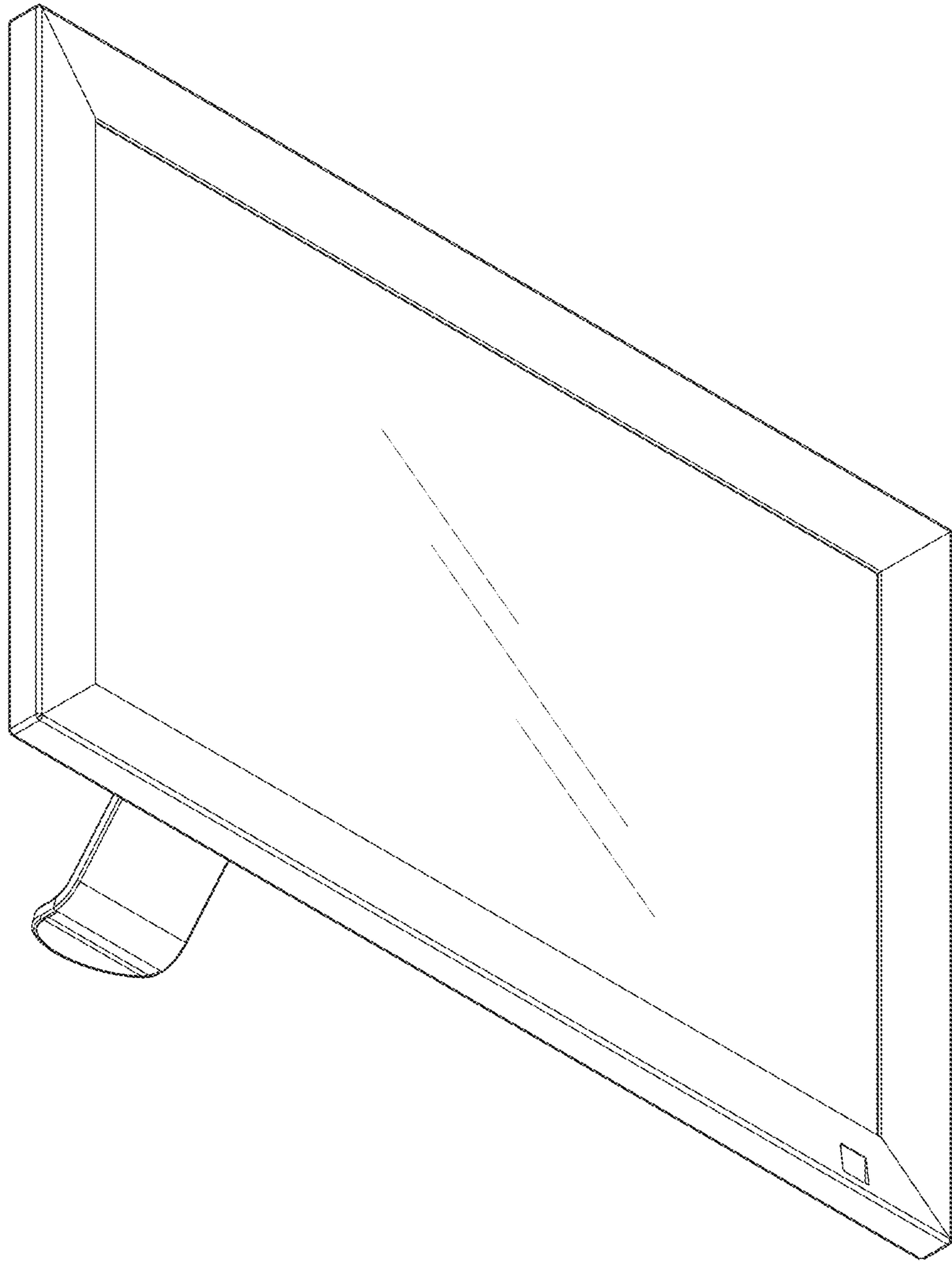


FIG. 1

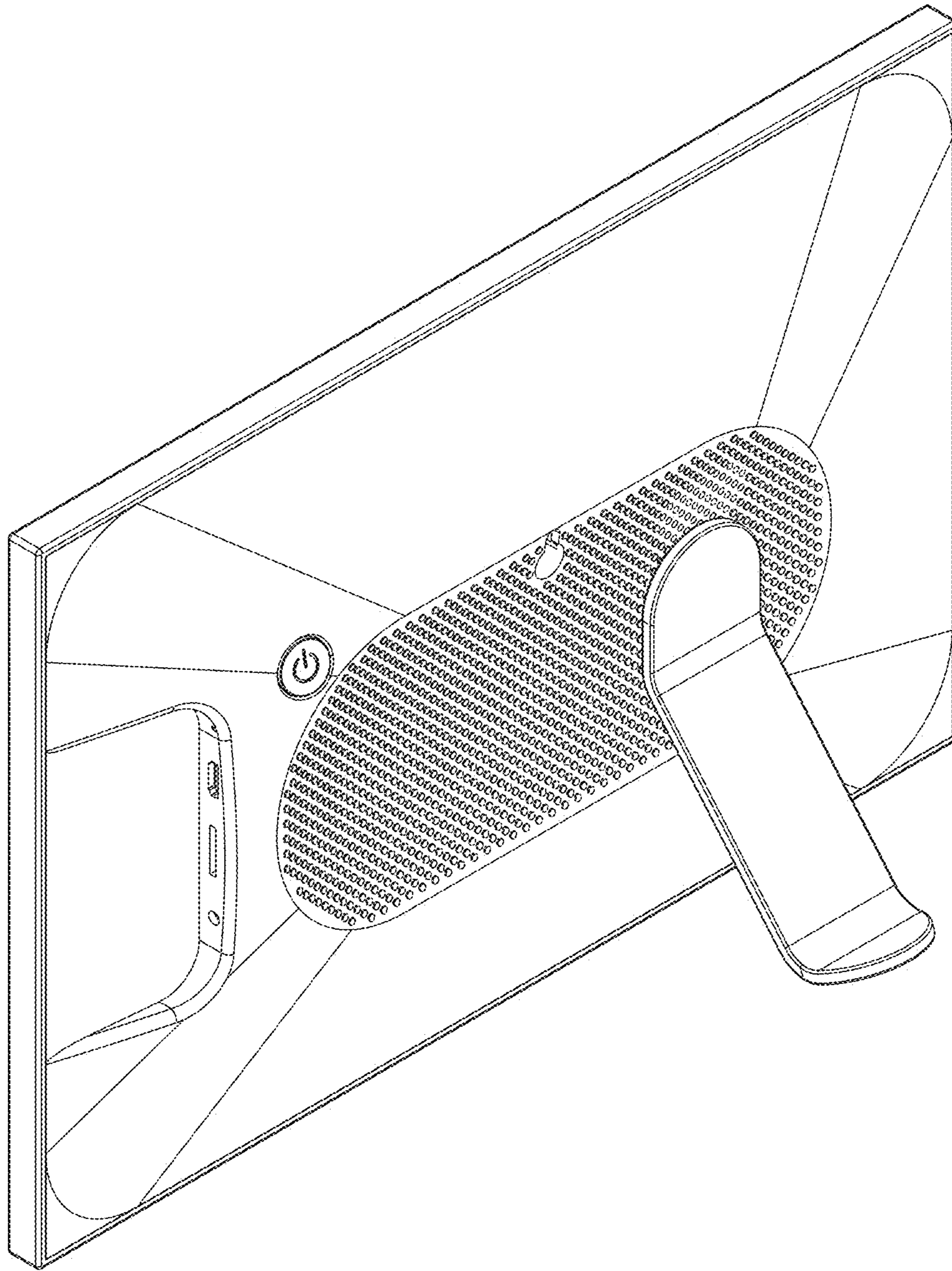


FIG. 2

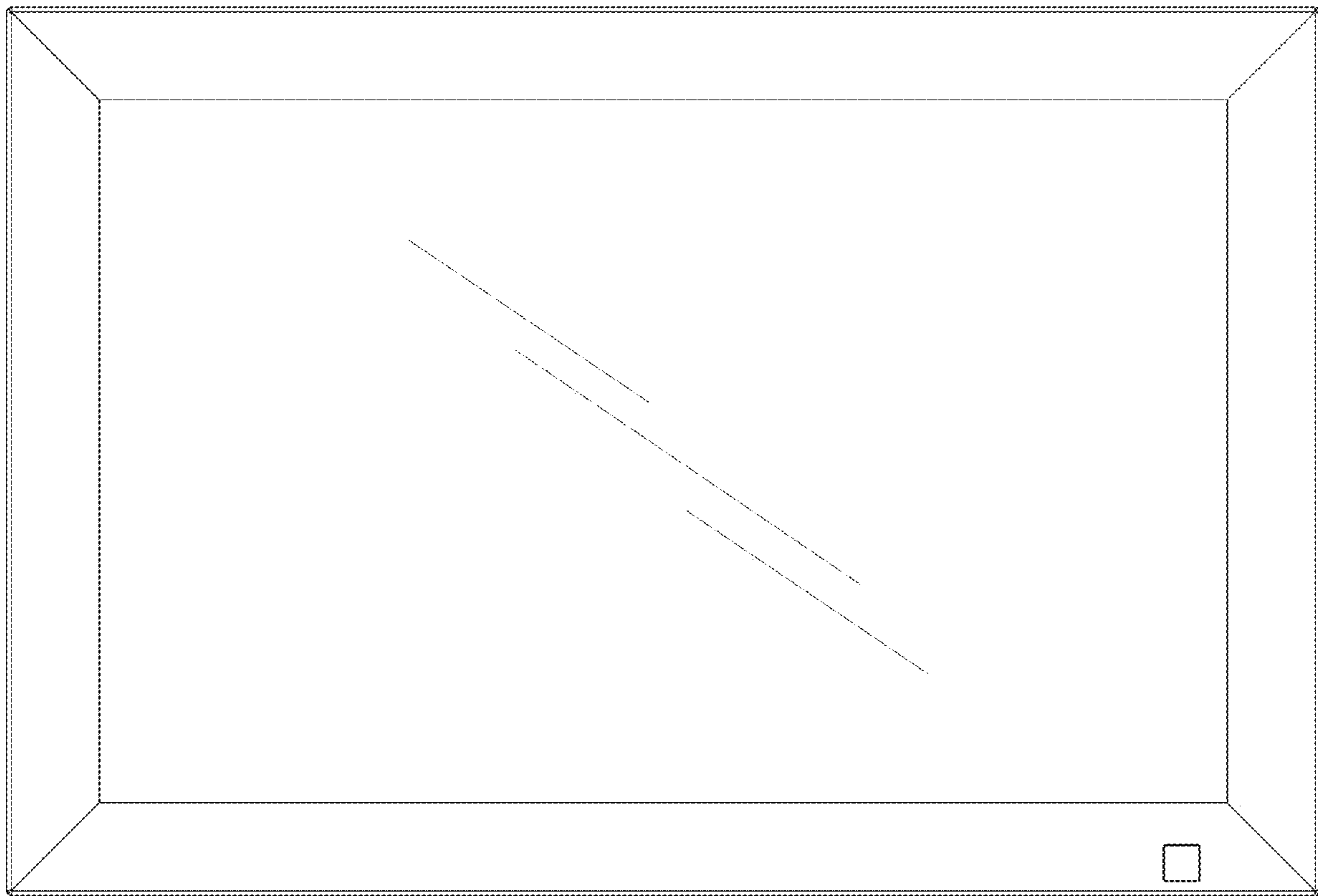


FIG. 3

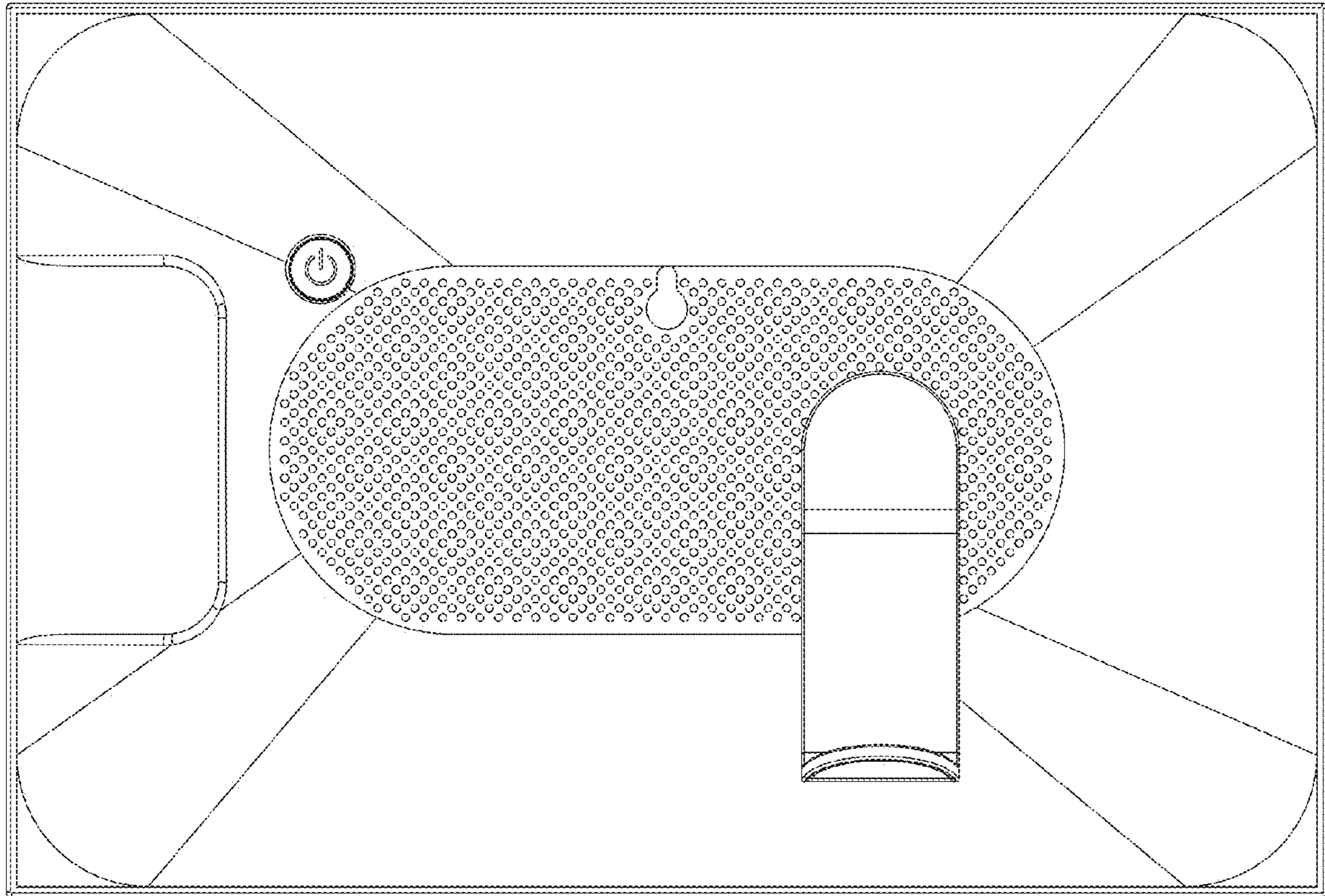


FIG. 4

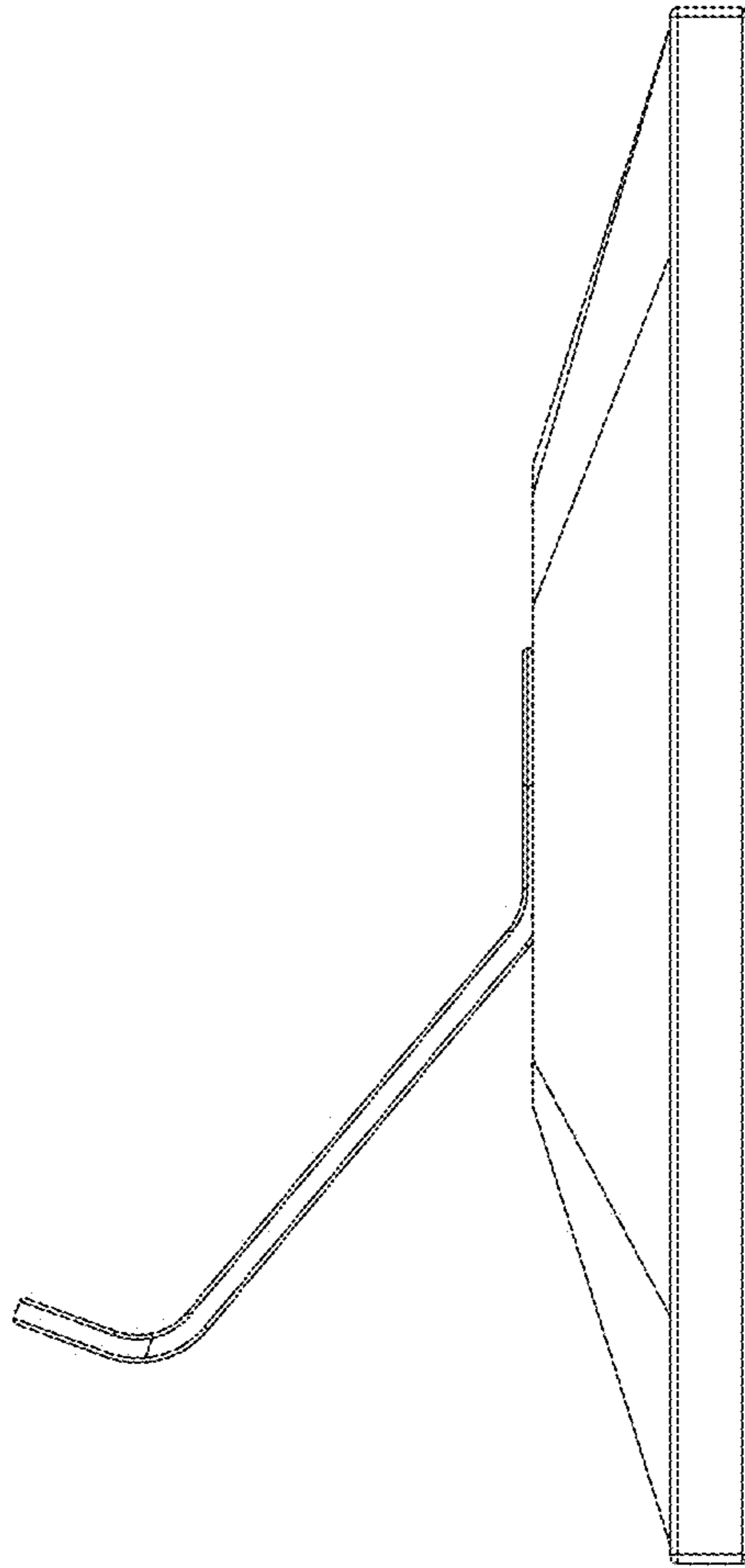


FIG. 5

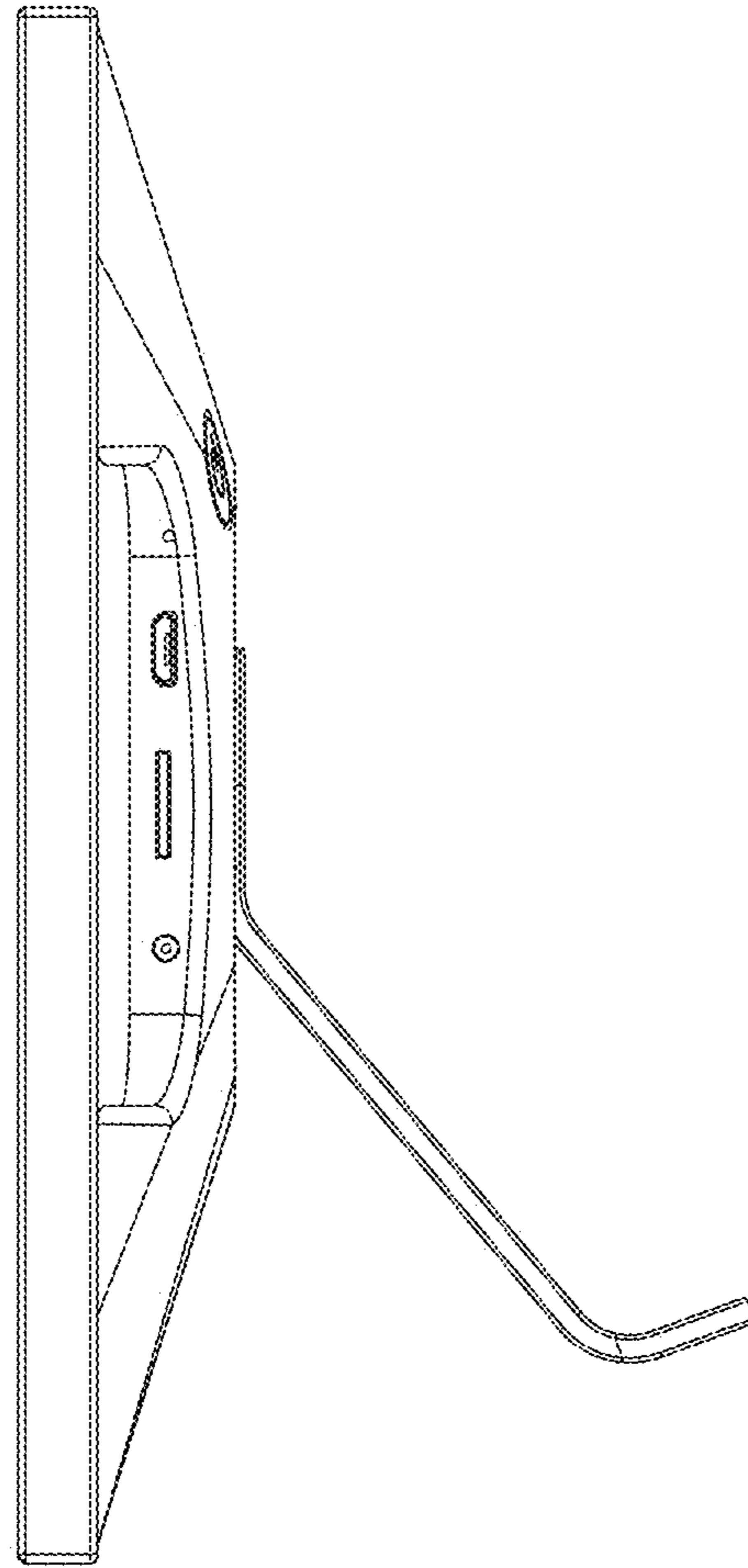


FIG. 6

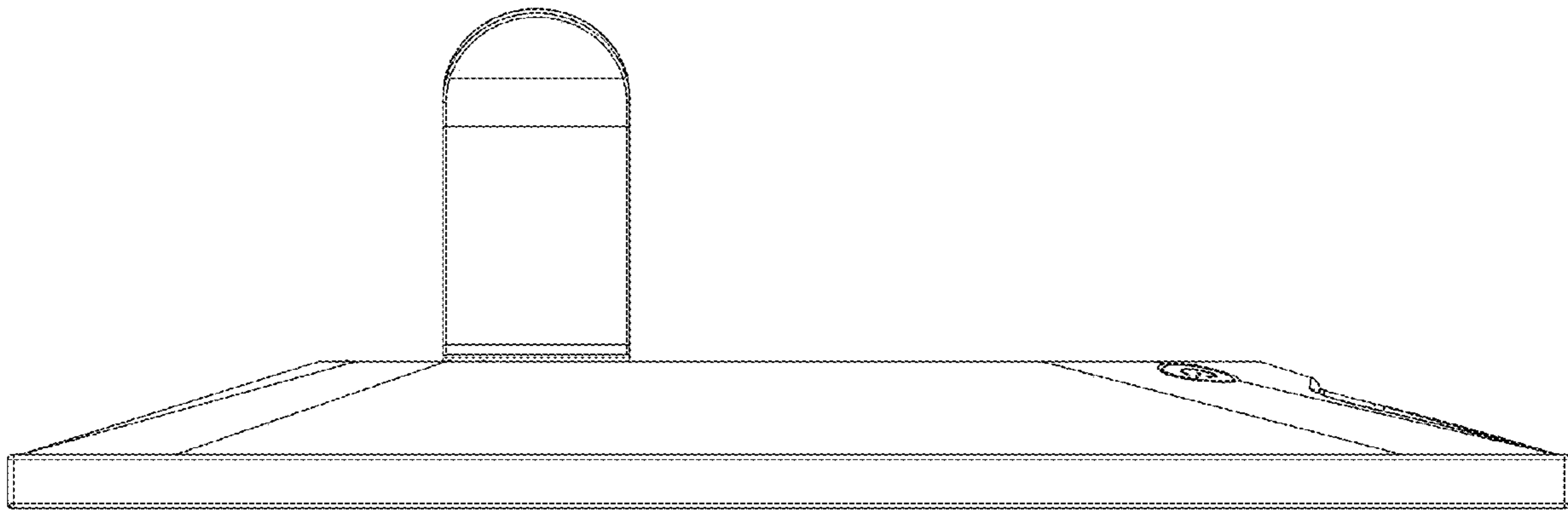


FIG. 7

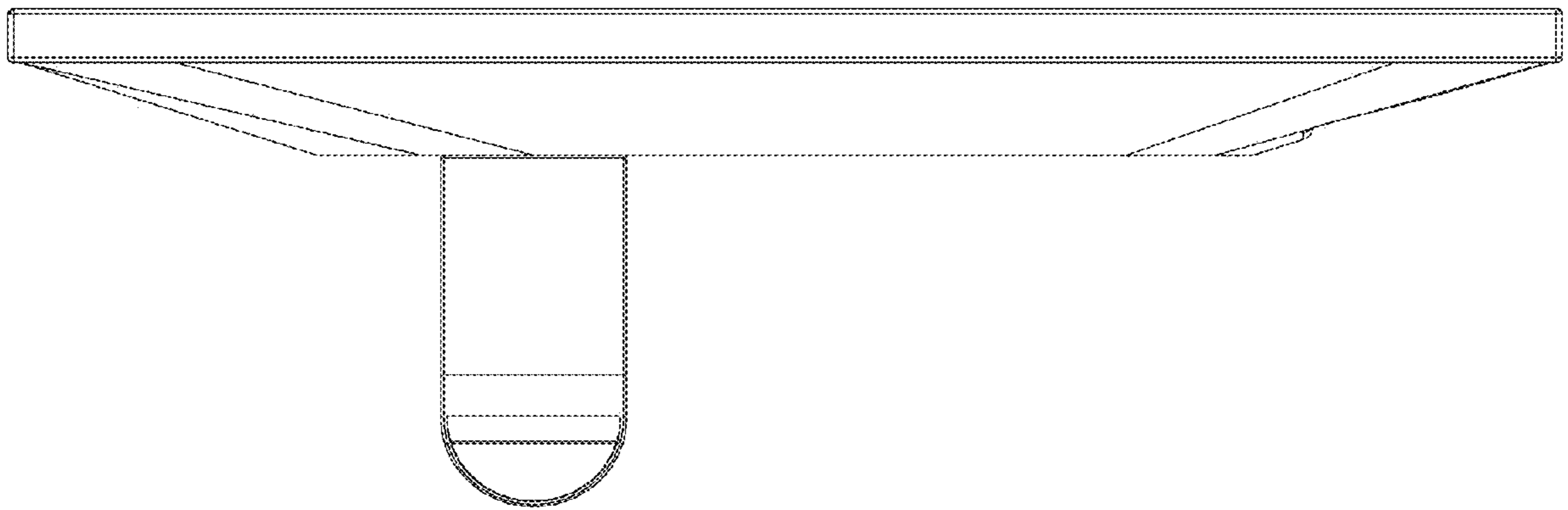


FIG. 8