



US00D956432S

(12) **United States Design Patent**
De Bardonneche

(10) **Patent No.:** **US D956,432 S**
(45) **Date of Patent:** **** Jul. 5, 2022**

(54) **MASCARA BRUSH**
(71) Applicant: **SIMP**, Tigery (FR)
(72) Inventor: **Eric De Bardonneche**, Courpalay (FR)
(**) Term: **15 Years**

(21) Appl. No.: **35/510,796**
(22) Filed: **May 15, 2020**

(80) **Hague Agreement Data**

Int. Filing Date: **May 15, 2020**
Int. Reg. No.: **DM/208333**
Int. Reg. Date: **May 15, 2020**
Int. Reg. Pub. Date: **Nov. 20, 2020**

(51) **LOC (13) Cl.** **04-99**
(52) **U.S. Cl.**
USPC **D4/134**
(58) **Field of Classification Search**
USPC D4/134, 133, 110, 136, 128, 101, 100
CPC .. A61L 2/26; A45D 27/46; B26D 7/10; B65D
83/10
See application file for complete search history.

(56) **References Cited**

U.S. PATENT DOCUMENTS

4,165,755 A * 8/1979 Cassai A45D 40/265
132/218
6,412,496 B1 * 7/2002 Gueret A45D 40/267
132/218

D581,673 S * 12/2008 Dumler D4/128
D588,818 S * 3/2009 Berhault A46B 9/021
D4/128
D604,513 S * 11/2009 Lemen D4/128
D642,806 S * 8/2011 Schrepf A46B 9/021
D4/136
D674,196 S * 1/2013 Jacob D4/133
8,539,963 B2 * 9/2013 Pires A45D 40/265
132/218
D708,856 S * 7/2014 Rutigliano D4/128
D752,875 S * 4/2016 Jacob D4/128
D757,444 S * 5/2016 Uhlen D4/128
D757,445 S * 5/2016 Rutigliano D4/128
D761,026 S * 7/2016 Pires D4/136
D780,462 S * 3/2017 Vanoncini D4/128
D790,863 S * 7/2017 Poletto D4/128
D816,348 S * 5/2018 Corbellini D4/133
D817,646 S * 5/2018 Corbellini D4/133
D818,276 S * 5/2018 Corbellini D4/133
D867,765 S * 11/2019 Joo D4/128
D903,330 S * 12/2020 De Bardonneche D4/133

* cited by examiner

Primary Examiner — Rhea Shields

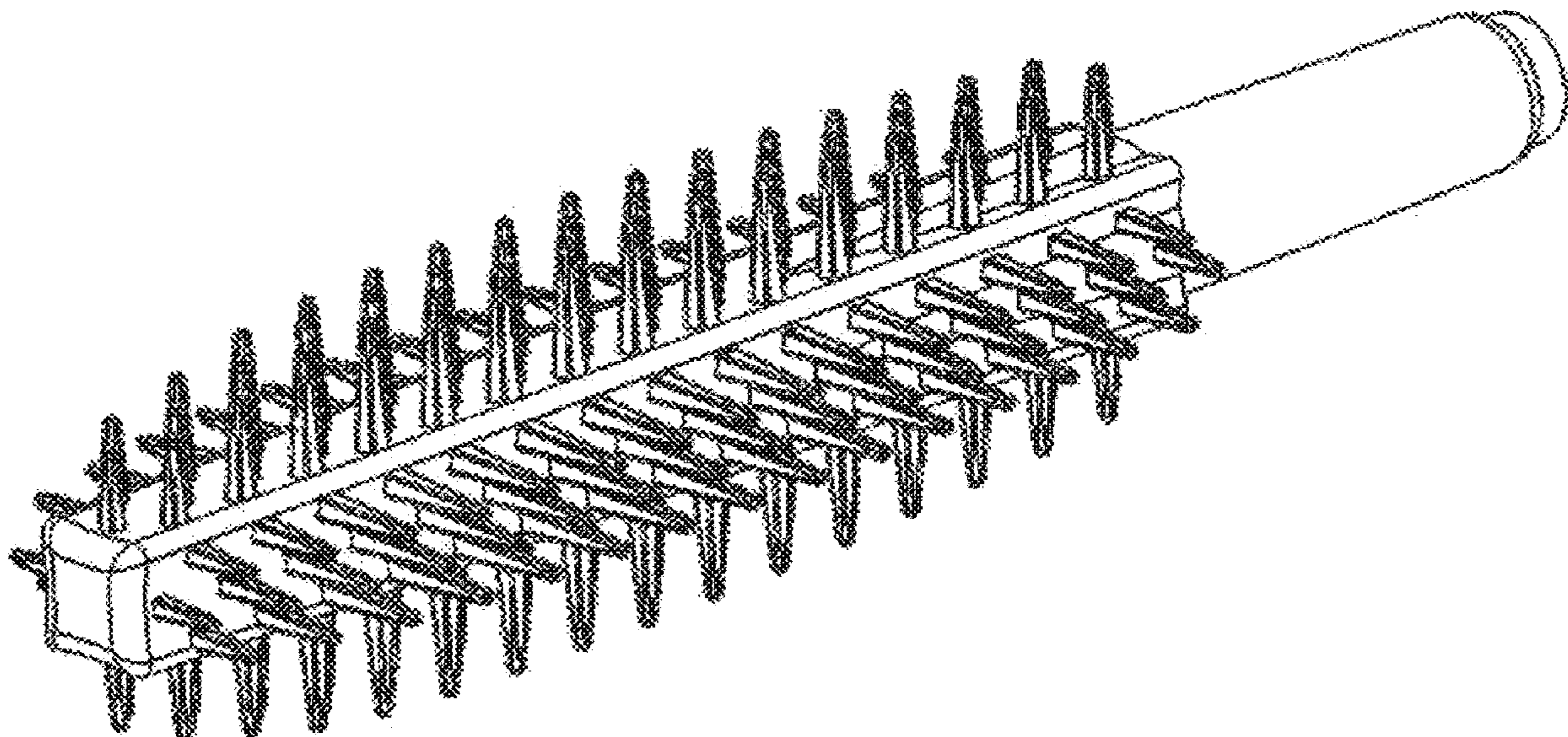
(57) **CLAIM**

The ornamental design for mascara brush, as shown and described.

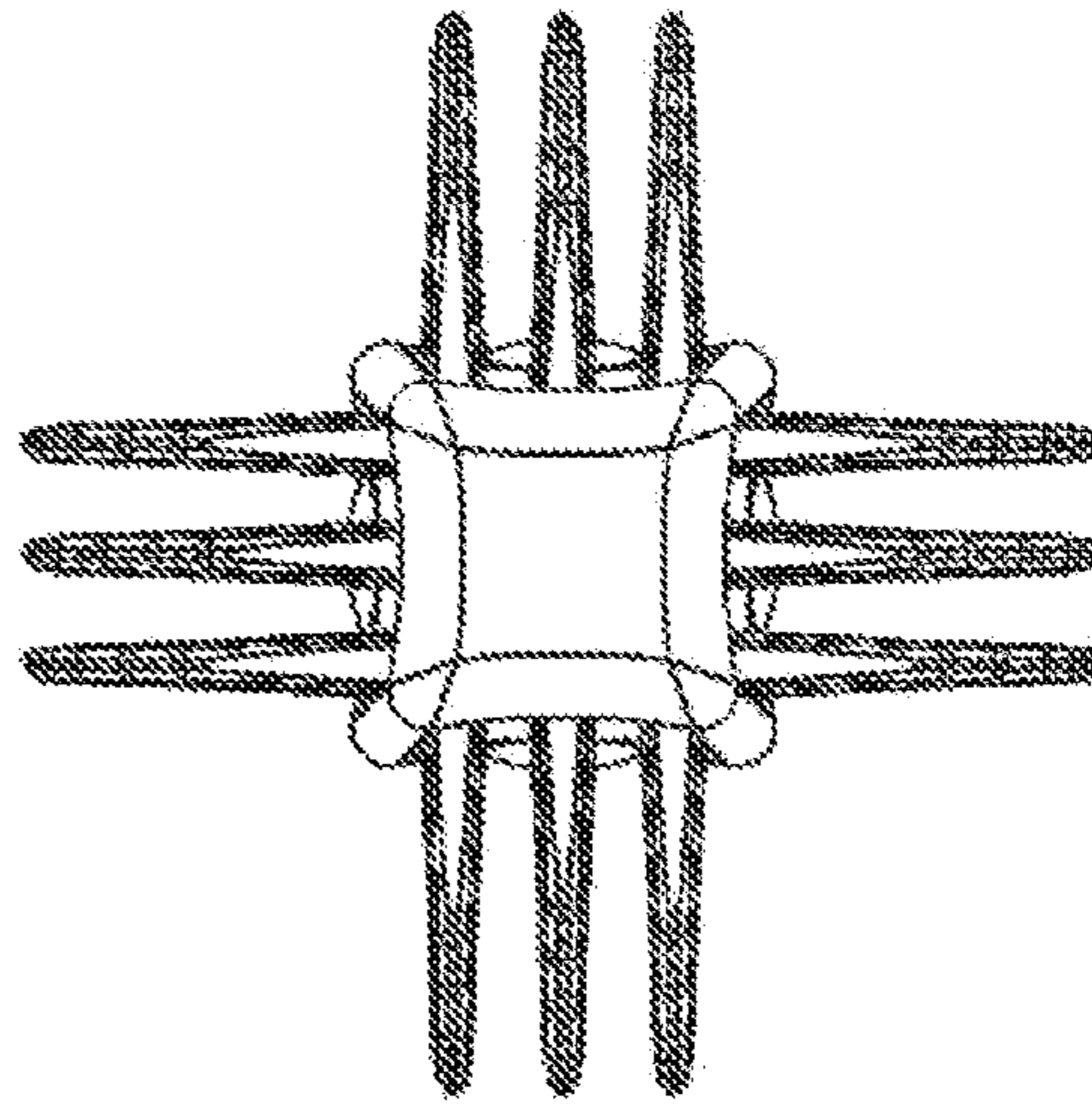
DESCRIPTION

2.1 is a front view;
2.2 is a side perspective view; and
2.3 is a top view.

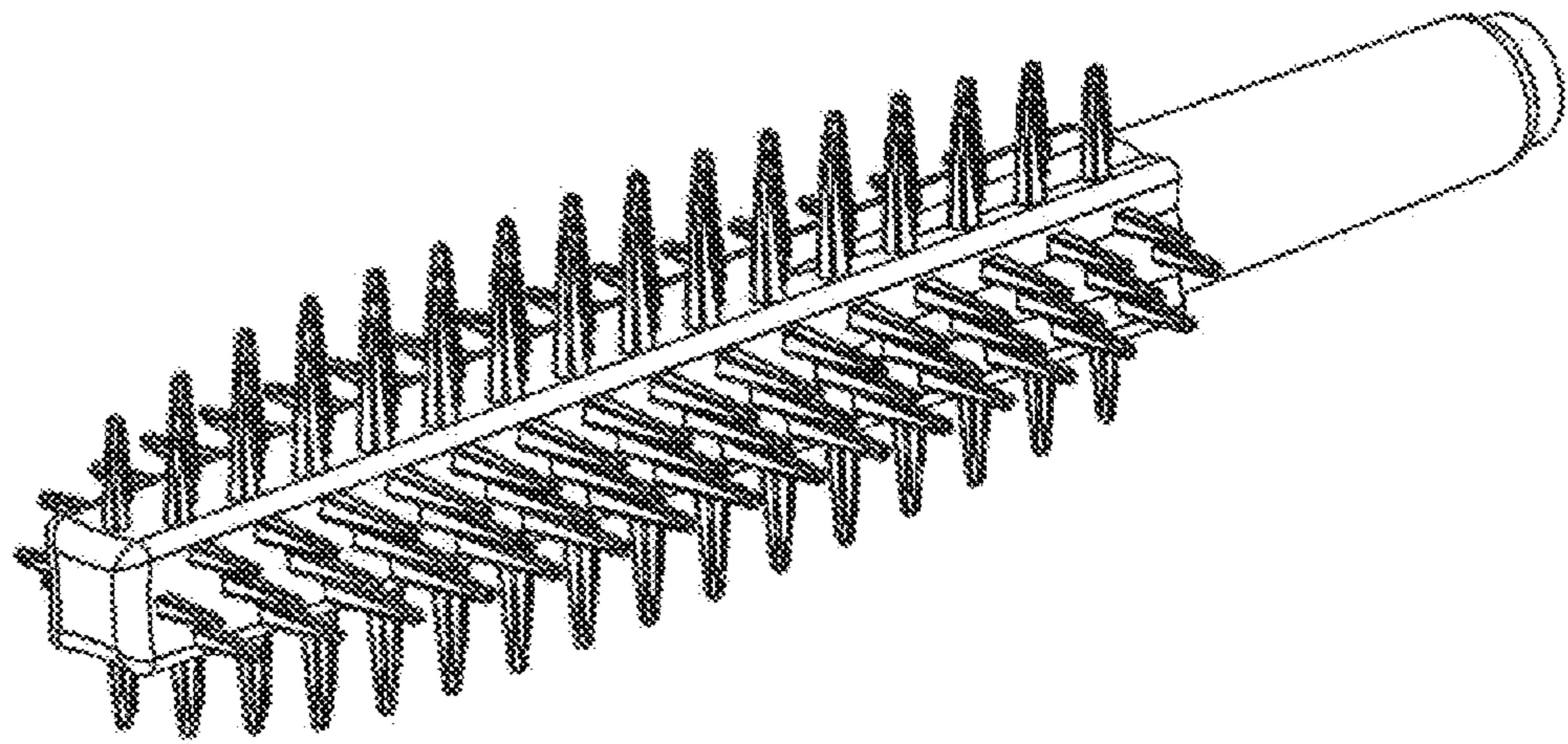
1 Claim, 3 Drawing Sheets



2.1



2.2



2.3

