



US00D956431S

(12) **United States Design Patent**
Wang

(10) **Patent No.:** **US D956,431 S**
(45) **Date of Patent:** **** Jul. 5, 2022**

- (54) **HAIRBRUSH**
- (71) Applicant: **CANDYBRUSH LLC**, Las Vegas, NV
(US)
- (72) Inventor: **Liangwei Wang**, Ningbo (CN)
- (**) Term: **15 Years**
- (21) Appl. No.: **29/729,271**
- (22) Filed: **Mar. 25, 2020**
- (51) **LOC (13) Cl.** **04-02**
- (52) **U.S. Cl.**
USPC **D4/134**
- (58) **Field of Classification Search**
USPC D4/100, 102, 114, 115, 116, 117, 118,
D4/119, 120, 121, 122, 123, 124, 125,
D4/126, 127, 128, 129, 130, 131, 132,
D4/133, 134, 135, 136, 137, 138, 199;
D30/158, 159
CPC A46B 5/02; A46B 9/005; A46B 9/023;
A46B 9/026; A46B 9/028; A46B 9/06;
A46B 2200/104; A46B 5/0025; A46B
5/0037; A46B 7/00
See application file for complete search history.

D710,112	S *	8/2014	Dunn	D4/125
D721,508	S *	1/2015	Schuler	D4/138
D724,849	S *	3/2015	Schuler	D4/138
9,326,591	B2 *	5/2016	Nicoline	A46B 5/00
9,402,460	B2 *	8/2016	Hickey	A46B 9/023
D839,604	S *	2/2019	Jianyang	D4/124
D840,696	S *	2/2019	Chen	D4/134
10,390,605	B1 *	8/2019	Schechter	A46B 5/0029
D898,377	S *	10/2020	Long	D4/134
2003/0009837	A1 *	1/2003	Cann	A46B 5/02 15/167.1
2018/0242724	A1 *	8/2018	Ng	A46B 9/005

* cited by examiner

Primary Examiner — Karen E Eldridge Powers

(57) **CLAIM**

The ornamental design for a hairbrush, as shown and described.

DESCRIPTION

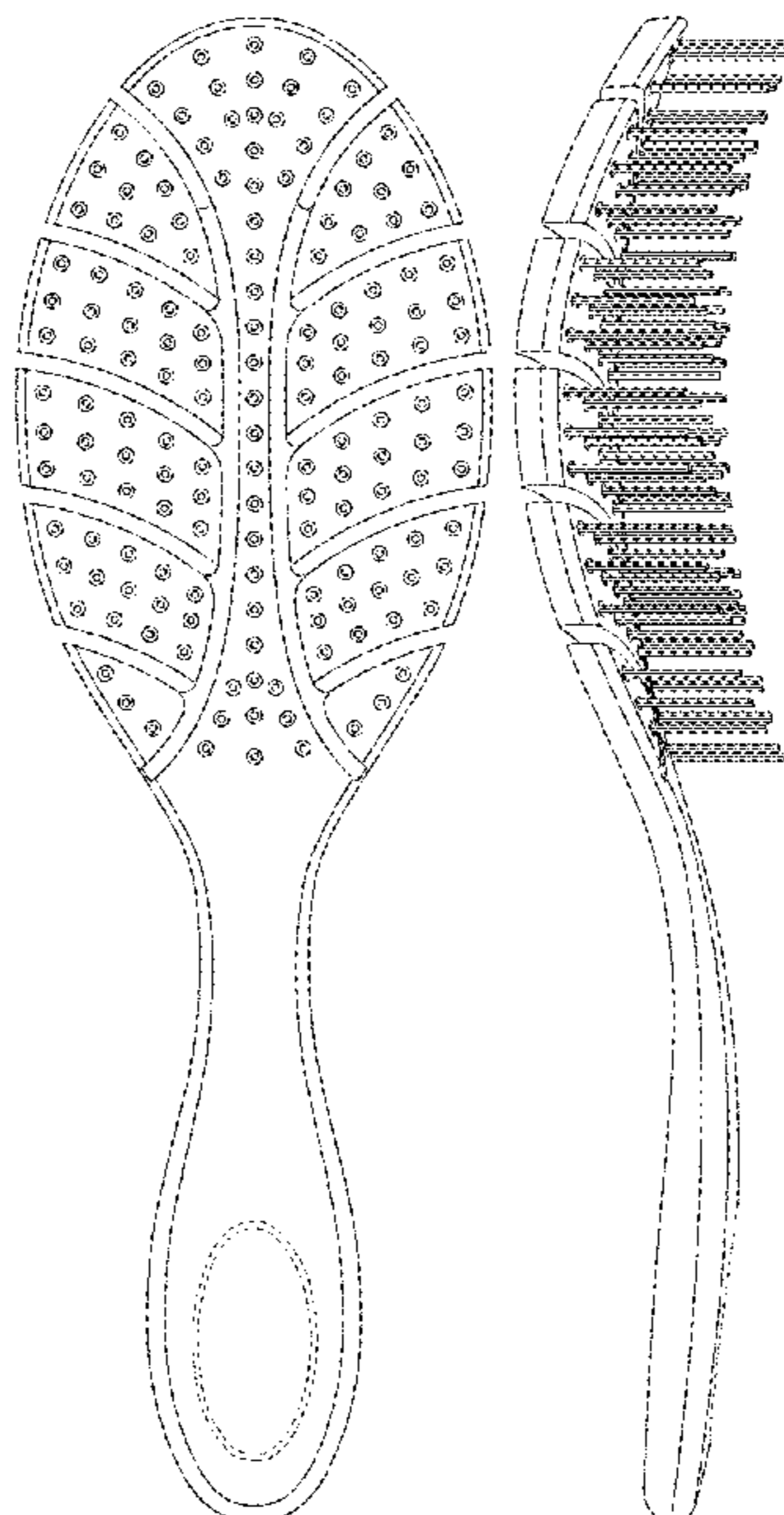
FIG. 1 is a front elevational view of a hairbrush showing my new design;
 FIG. 2 is a rear elevational view thereof;
 FIG. 3 is a left side view thereof;
 FIG. 4 is a right side view thereof;
 FIG. 5 is a top plan view thereof;
 FIG. 6 is a bottom plan view thereof;
 FIG. 7 is a perspective view thereof.
 FIG. 8 is an enlarged view of FIG. 5; and,
 FIG. 9 is an enlarged view of FIG. 6.
 The broken lines drawn with uniform, short line segments illustrates environmental structure. The broken lines drawn with short and long line segments illustrate the bounds of the enlarged detail views. None of the drawing elements shown in broken lines form a part of the claimed design.

1 Claim, 9 Drawing Sheets

(56) **References Cited**

U.S. PATENT DOCUMENTS

1,957,363	A *	5/1934	Snell	A46B 3/16 15/191.1
D319,923	S *	9/1991	Chou	D4/121
D356,442	S *	3/1995	Hayes	D30/158
D428,702	S *	8/2000	Van Gelder	D4/104
6,308,717	B1 *	10/2001	Vrtaric	A46B 9/023 132/129
D532,979	S *	12/2006	Viola	D4/129
8,627,537	B2 *	1/2014	Mercier	A46B 9/023 15/160



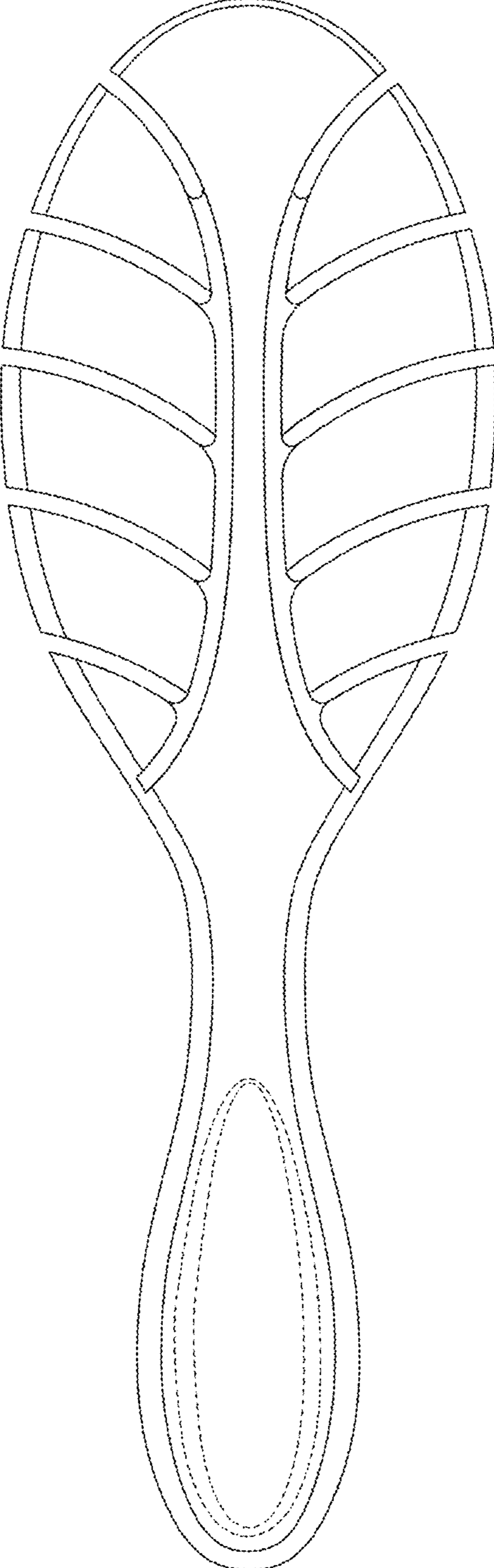


FIG. 1

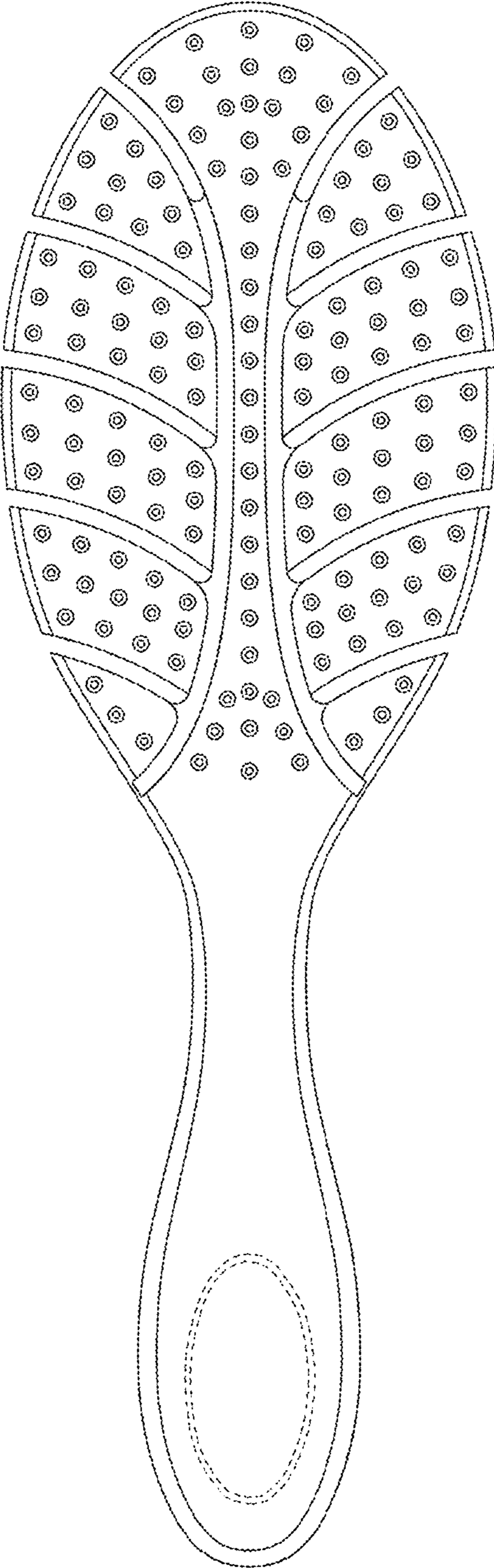


FIG. 2

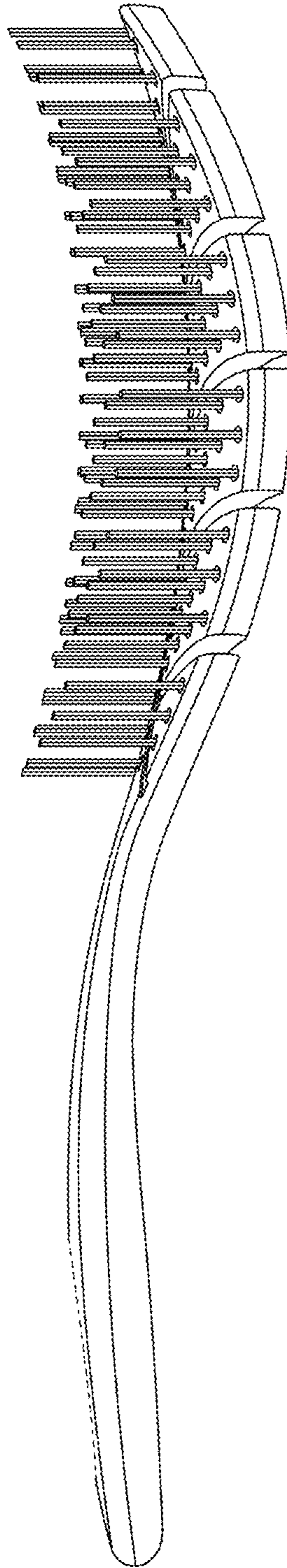


FIG. 3

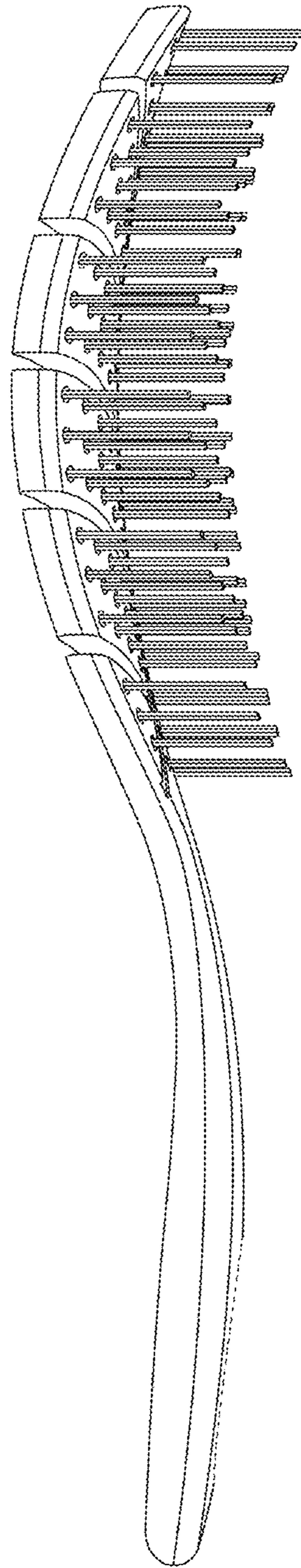


FIG. 4

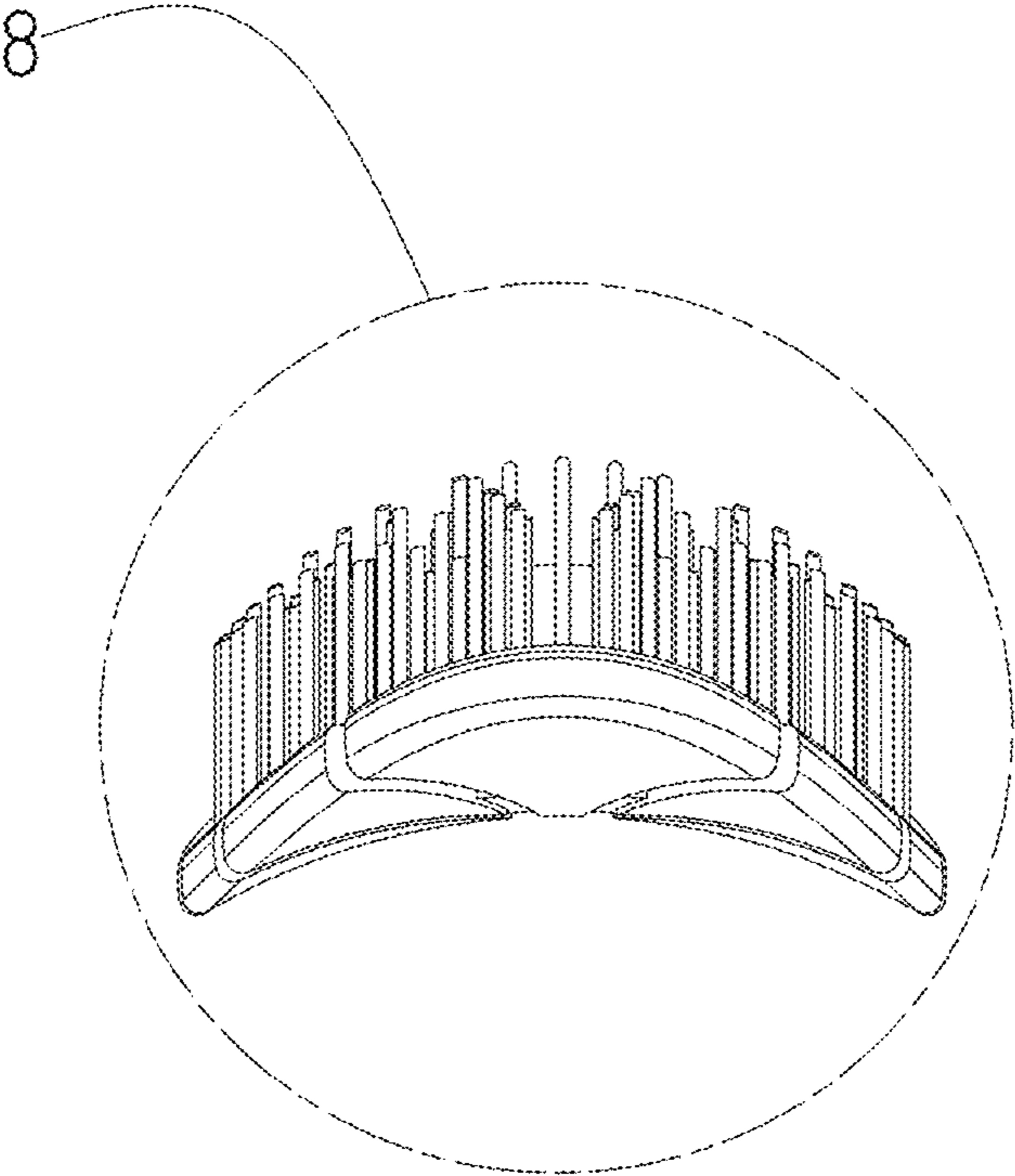


FIG. 5

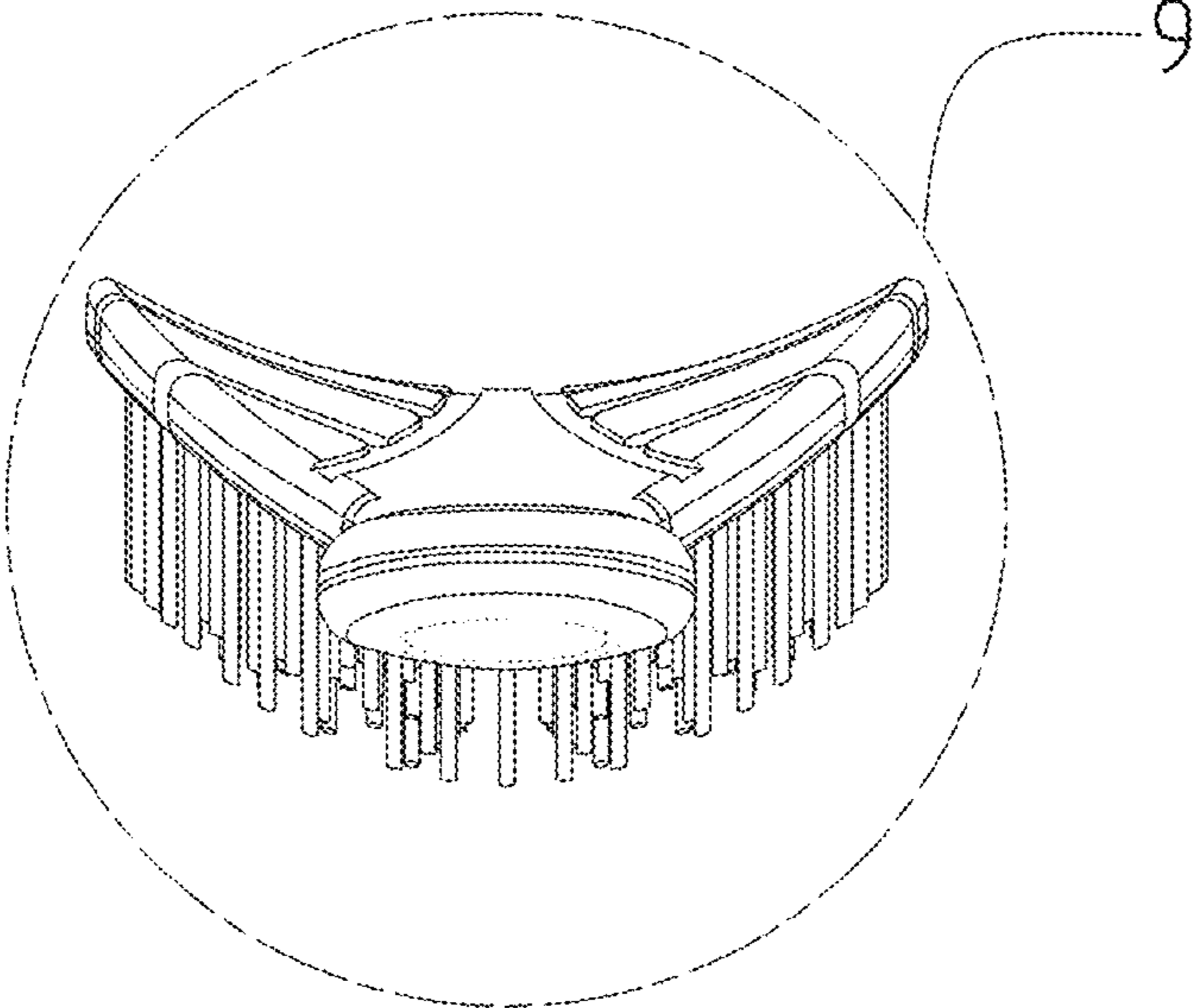


FIG. 6

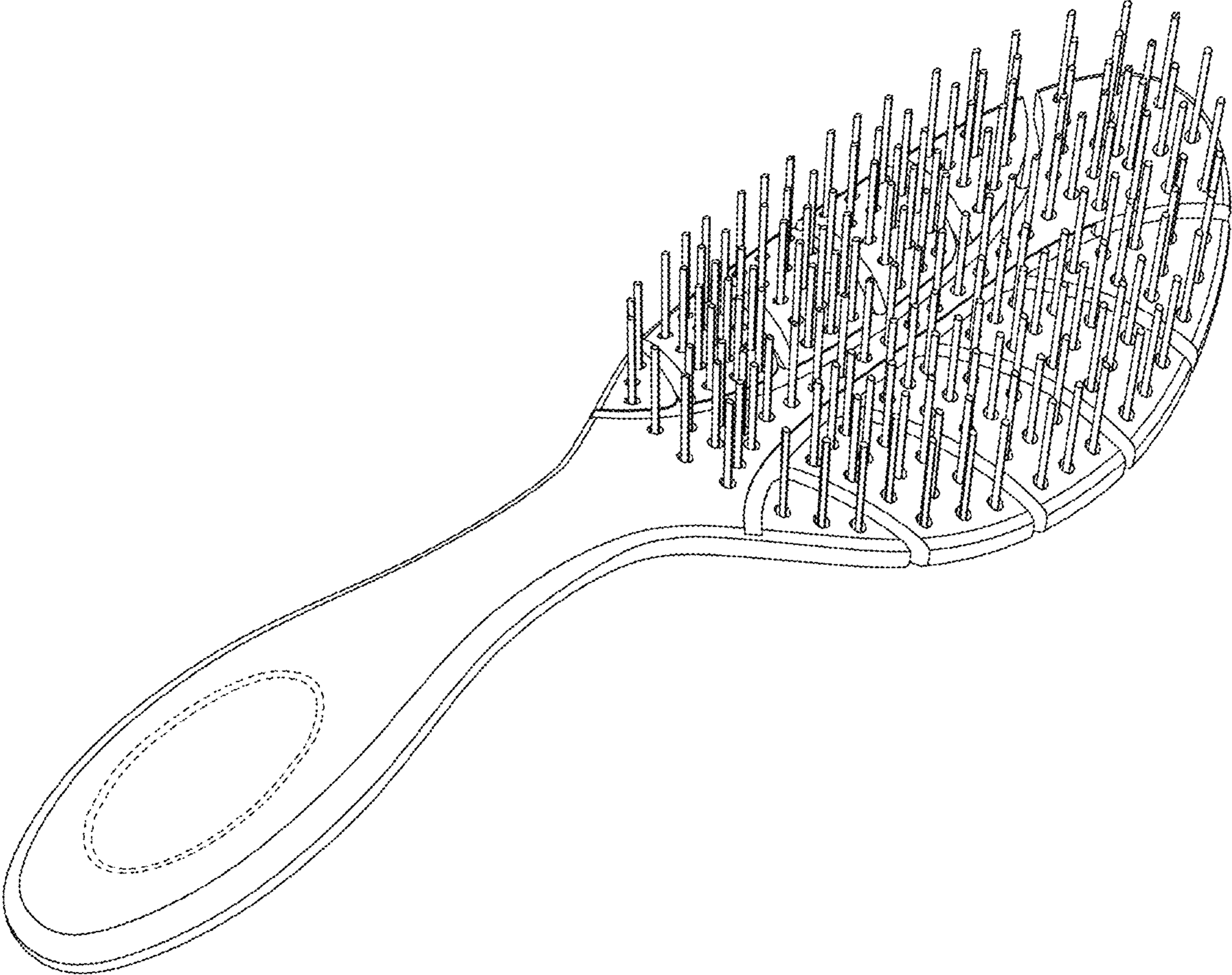


FIG. 7

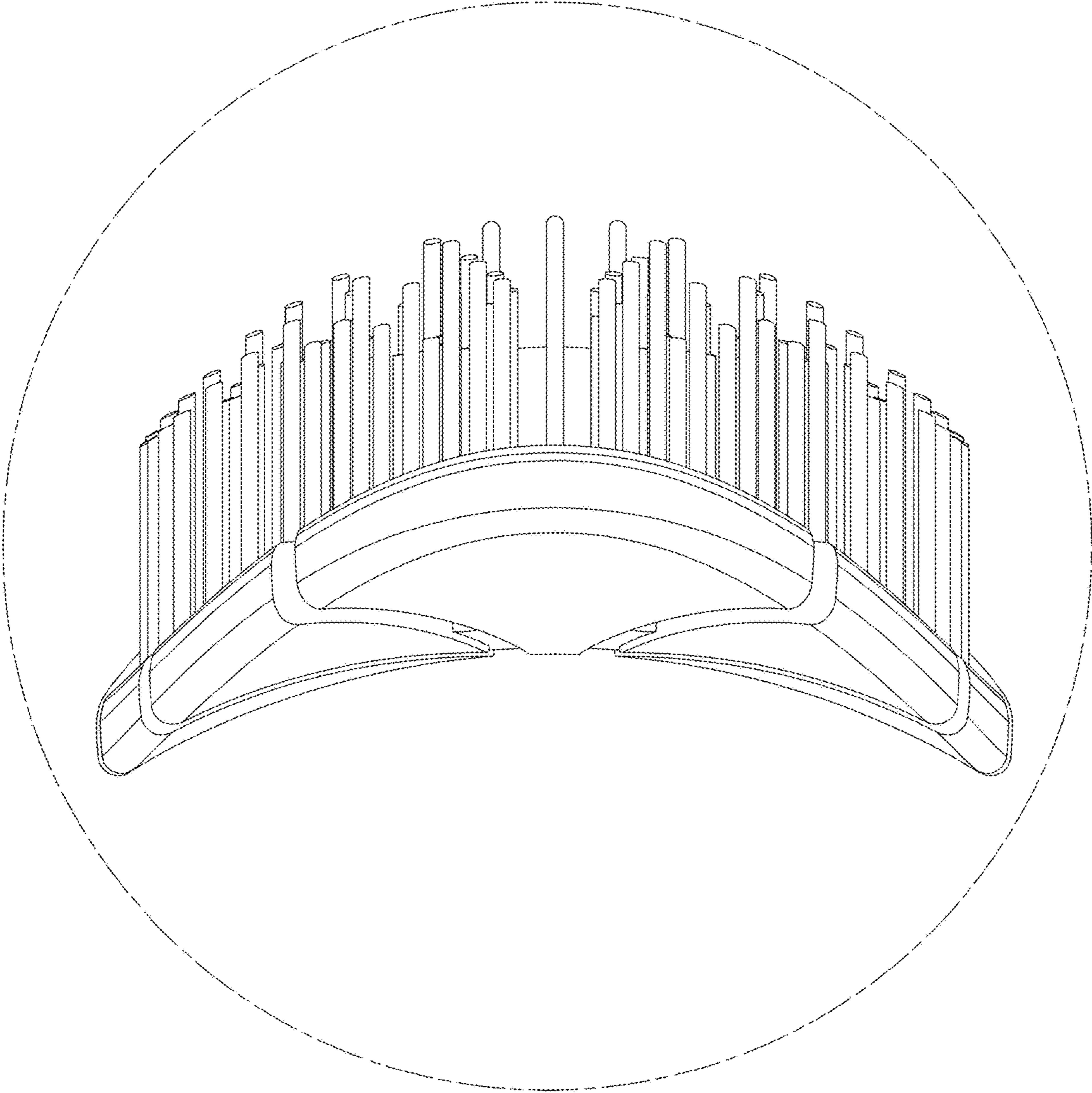


FIG. 8

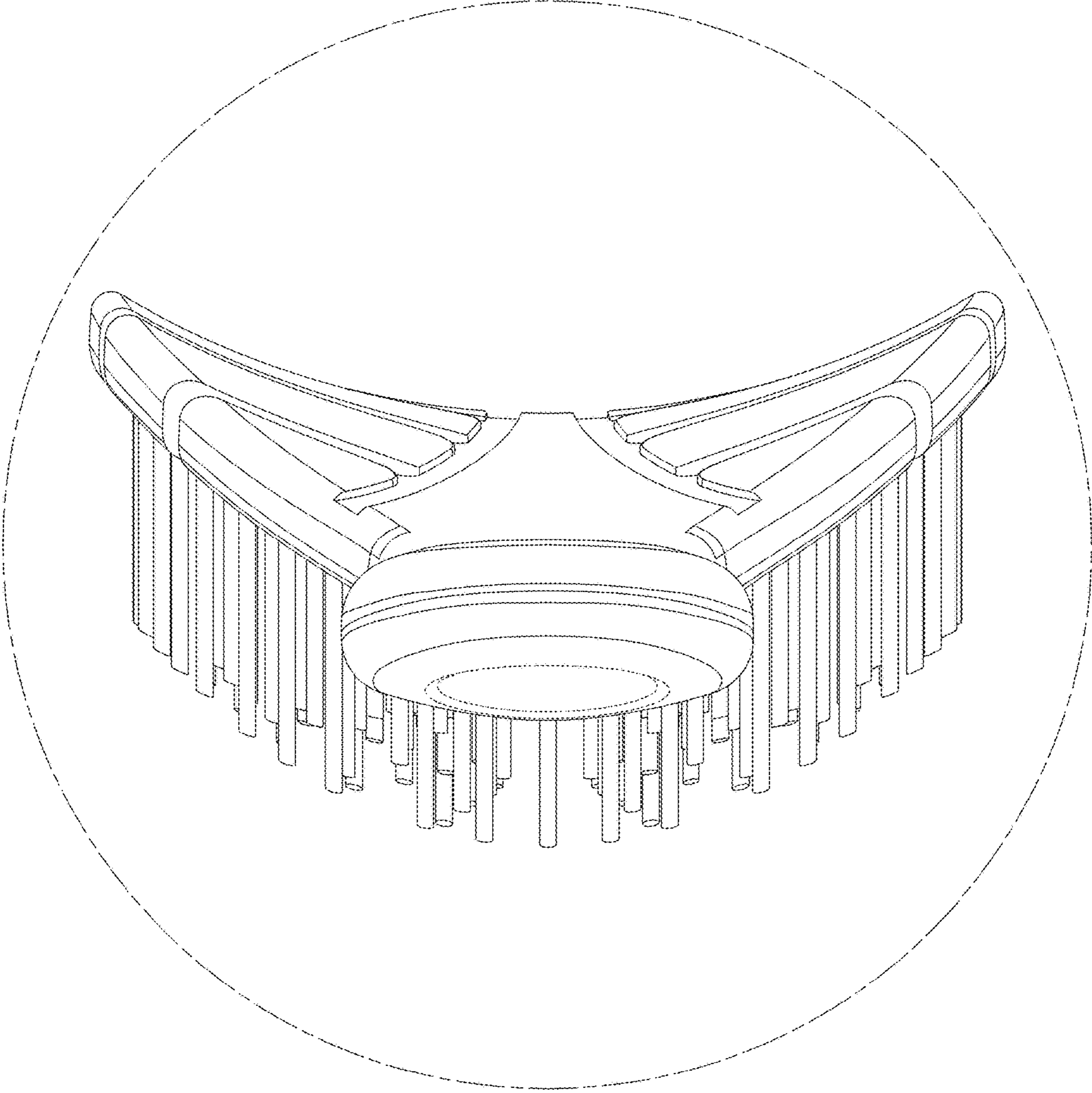


FIG. 9