



US00D956430S

(12) **United States Design Patent** (10) **Patent No.:** **US D956,430 S**  
**Chang** (45) **Date of Patent:** **\*\* Jul. 5, 2022**

(54) **DIAMOND-SHAPED BRUSH HEAD**

(71) Applicant: **Anisa International, Inc.**, Atlanta, GA (US)

(72) Inventor: **Cindy Chang**, Los Angeles, CA (US)

(73) Assignee: **Anisa International, Inc.**, Atlanta, GA (US)

(\*\*) Term: **15 Years**

(21) Appl. No.: **29/761,475**

(22) Filed: **Dec. 9, 2020**

(51) **LOC (13) Cl.** ..... **04-99**

(52) **U.S. Cl.**  
USPC ..... **D4/130**

(58) **Field of Classification Search**  
USPC ..... D4/100-138, 199; D24/176, 181  
CPC .... A46B 2200/1066; A46B 2200/1073; A46B 2200/1086; A46B 5/0095; A46B 9/04; A46B 9/028; A46B 13/023; A61C 17/16; A61C 17/122  
See application file for complete search history.

(56) **References Cited**

**U.S. PATENT DOCUMENTS**

- 6,039,051 A \* 3/2000 Dorf ..... A46B 9/021 15/207.2
- D766,586 S \* 9/2016 Hwang ..... D4/127
- D788,471 S \* 6/2017 Dunaway ..... D4/138
- 9,675,167 B2 6/2017 Xavier et al.
- D827,309 S \* 9/2018 Nicoline ..... D4/138
- D829,006 S \* 9/2018 Richards ..... A46B 5/02 D4/138
- D845,646 S \* 4/2019 Nicoline ..... D4/138
- D857,400 S \* 8/2019 Nicoline ..... D4/138
- D871,079 S \* 12/2019 Hwang ..... D4/135
- D873,573 S \* 1/2020 Kaicker ..... D4/135
- D896,532 S \* 9/2020 Kaicker ..... D4/135
- D897,689 S \* 10/2020 Colville Somma ..... D4/135

- D914,369 S \* 3/2021 Colville Somma ..... D4/135
- D938,734 S \* 12/2021 Moleski ..... D4/135
- 2016/0262528 A1 \* 9/2016 Telwar ..... A46B 9/021
- 2017/0208932 A1 \* 7/2017 Ajootian ..... A46B 9/005
- 2022/0022634 A1 \* 1/2022 Rybacek ..... A46B 7/042

**FOREIGN PATENT DOCUMENTS**

- CN 306566739 \* 5/2021
- KR 3009726950002 \* 10/2018

**OTHER PUBLICATIONS**

Inglot Brush, announced 2021 [online], [site visited Feb. 17, 2022]. Available from internet, URL: <https://www.cloud10beauty.com/products/inglot-feather-luxe-sculpt-set-skin-brush-201> (Year: 2021).\*

(Continued)

*Primary Examiner* — Cynthia Ramirez  
*Assistant Examiner* — Tamara L Hahn  
(74) *Attorney, Agent, or Firm* — Taylor English Duma LLP

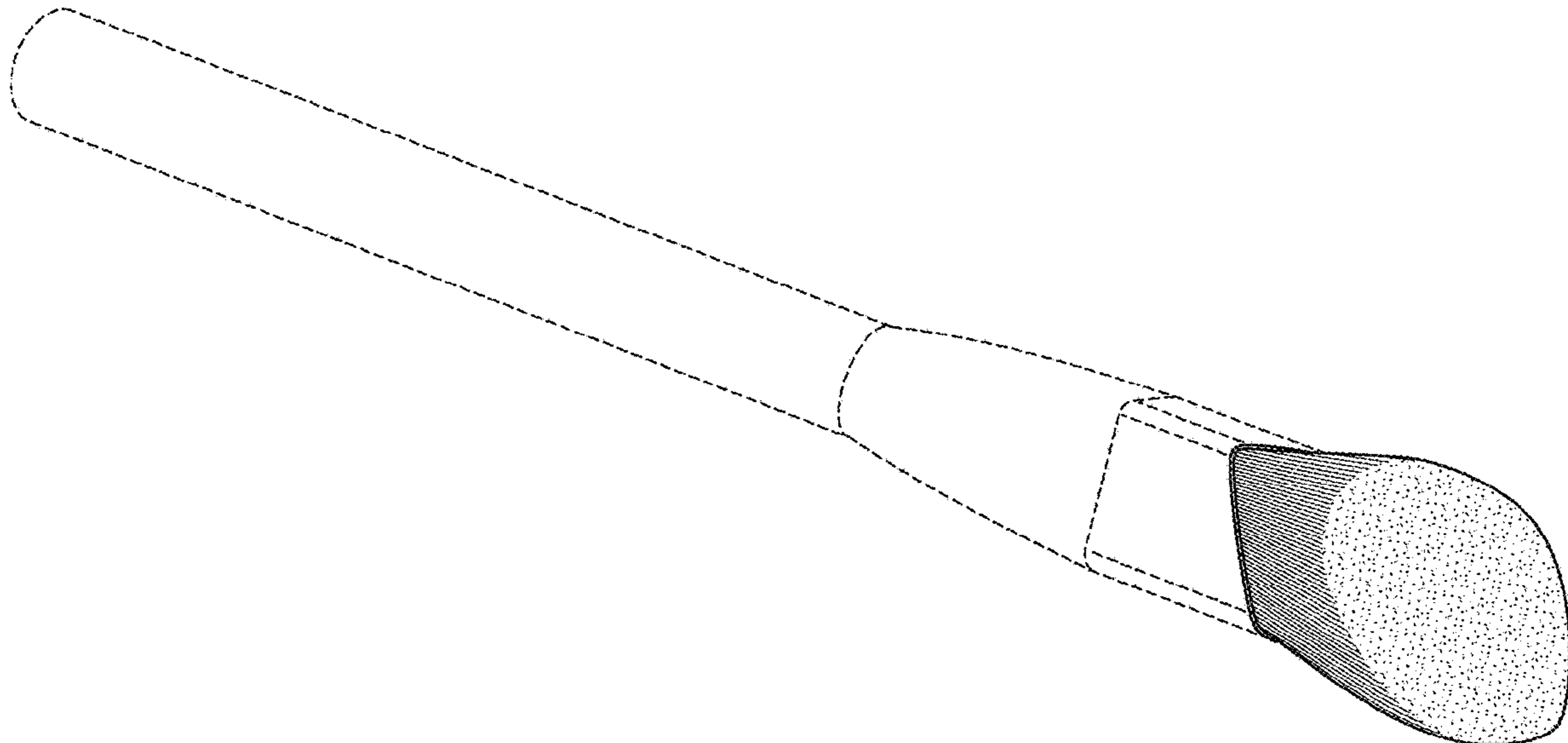
(57) **CLAIM**

I claim the ornamental design for a diamond-shaped brush head, as shown and described.

**DESCRIPTION**

FIG. 1 is a perspective view of the diamond-shaped brush head.  
FIG. 2 is a right-side elevation view thereof.  
FIG. 3 is a left-side elevation view thereof.  
FIG. 4 is a front elevation view thereof.  
FIG. 5 is a rear elevation view thereof.  
FIG. 6 is a top plan view thereof; and,  
FIG. 7 is a bottom plan view thereof.  
The broken lines showing a ferrule and a handle in FIGS. 1-5 & 7 are to show environment and form no part of the claimed design.

**1 Claim, 4 Drawing Sheets**



(56)

**References Cited**

OTHER PUBLICATIONS

Anisa Brush, announced 2021 [online], [site visited Feb. 17, 2022]. Available from internet, URL: <https://www.anisabeauty.com/products/pinnacle-foundation-brush> (Year: 2021).\*

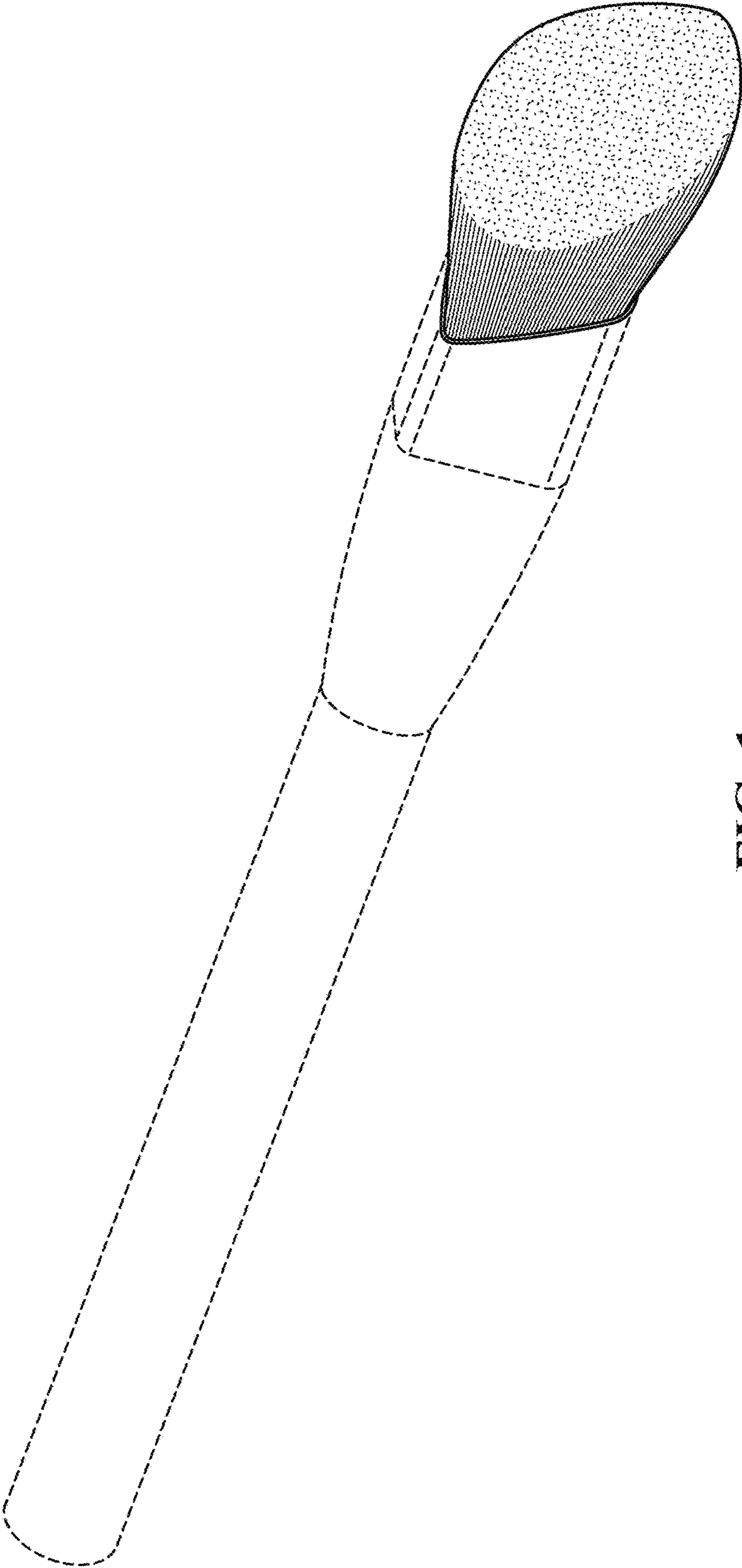
Wet n Wild Brush, announced 2017 [online], [site visited Feb. 17, 2022]. Available from internet, URL: [https://www.amazon.com/wet-wild-Powder-Brush-Fluid/dp/B01EO2KP4A/ref=sr\\_1\\_6?keywords=makeup%2Bbrush&qid=1645031334&s=beauty&sr=1-6&th=1](https://www.amazon.com/wet-wild-Powder-Brush-Fluid/dp/B01EO2KP4A/ref=sr_1_6?keywords=makeup%2Bbrush&qid=1645031334&s=beauty&sr=1-6&th=1) (Year: 2017).\*

Eigshow Brush, announced 2021 [online], [site visited Feb. 17, 2022]. Available from internet, URL: [https://www.amazon.com/dp/B09B1RPXMG/ref=syn\\_sd\\_onsite\\_desktop\\_53](https://www.amazon.com/dp/B09B1RPXMG/ref=syn_sd_onsite_desktop_53) (Year: 2021).\*

QVC Brush, announced Dec. 2021 [online], [site visited Feb. 17, 2022]. Available from internet, URL: <https://www.qvc.com/IT-Cosmetics-Special-Edition-Heavenly-Luxe-5pc-Brush-Set-w-Makeup-Bag.product.A460337.html?colorId=000&sizeId=000&ref=GBA&TZ=EST> (Year: 2021).\*

Sigma Beauty; Article entitled: “3DHD@ Max Kabuki Brush”, located at <3DHD@ Max Kabuki Brush>, including images of brush, accessed on Nov. 30, 2020, 9 pgs.

\* cited by examiner



**FIG. 1**

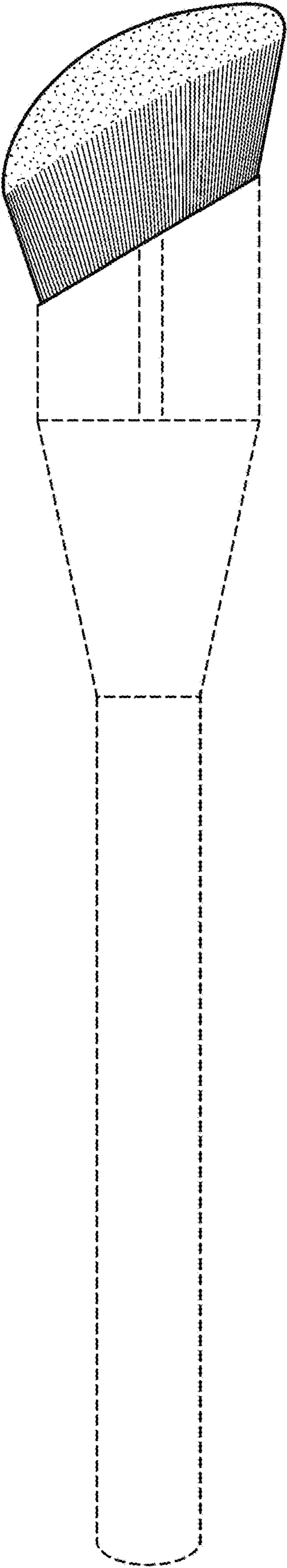


FIG. 2

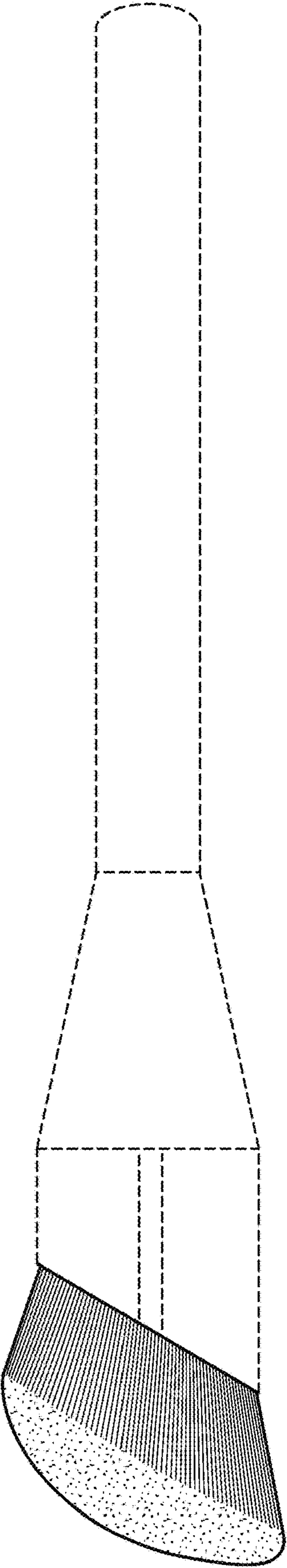
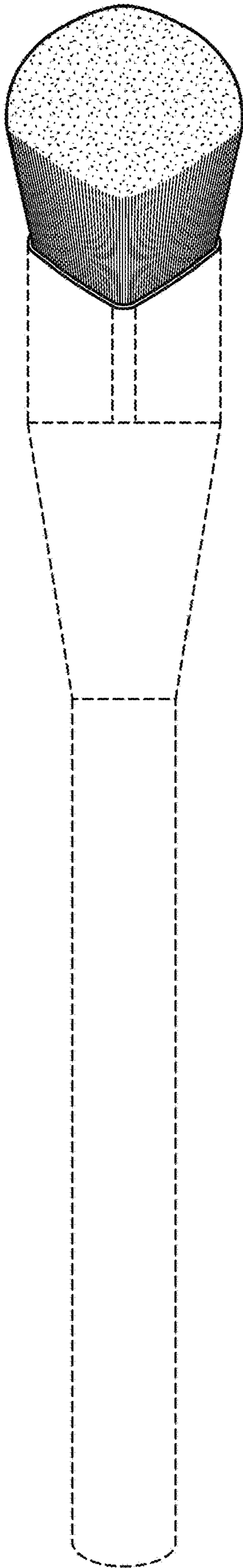
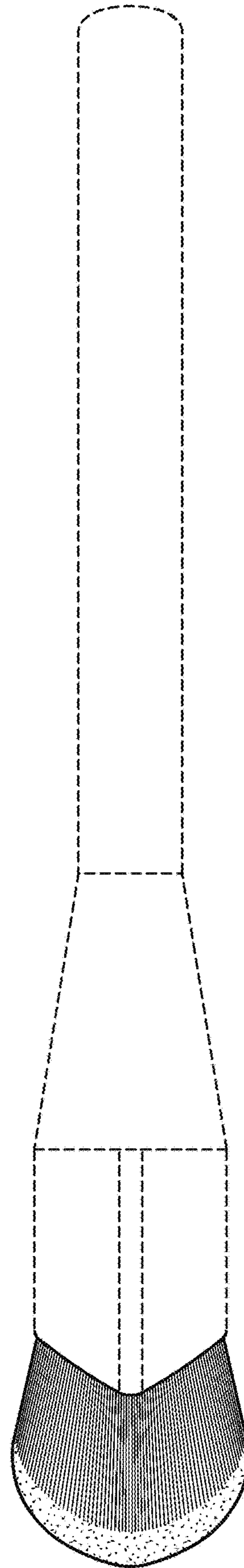


FIG. 3



**FIG. 4**



**FIG. 5**

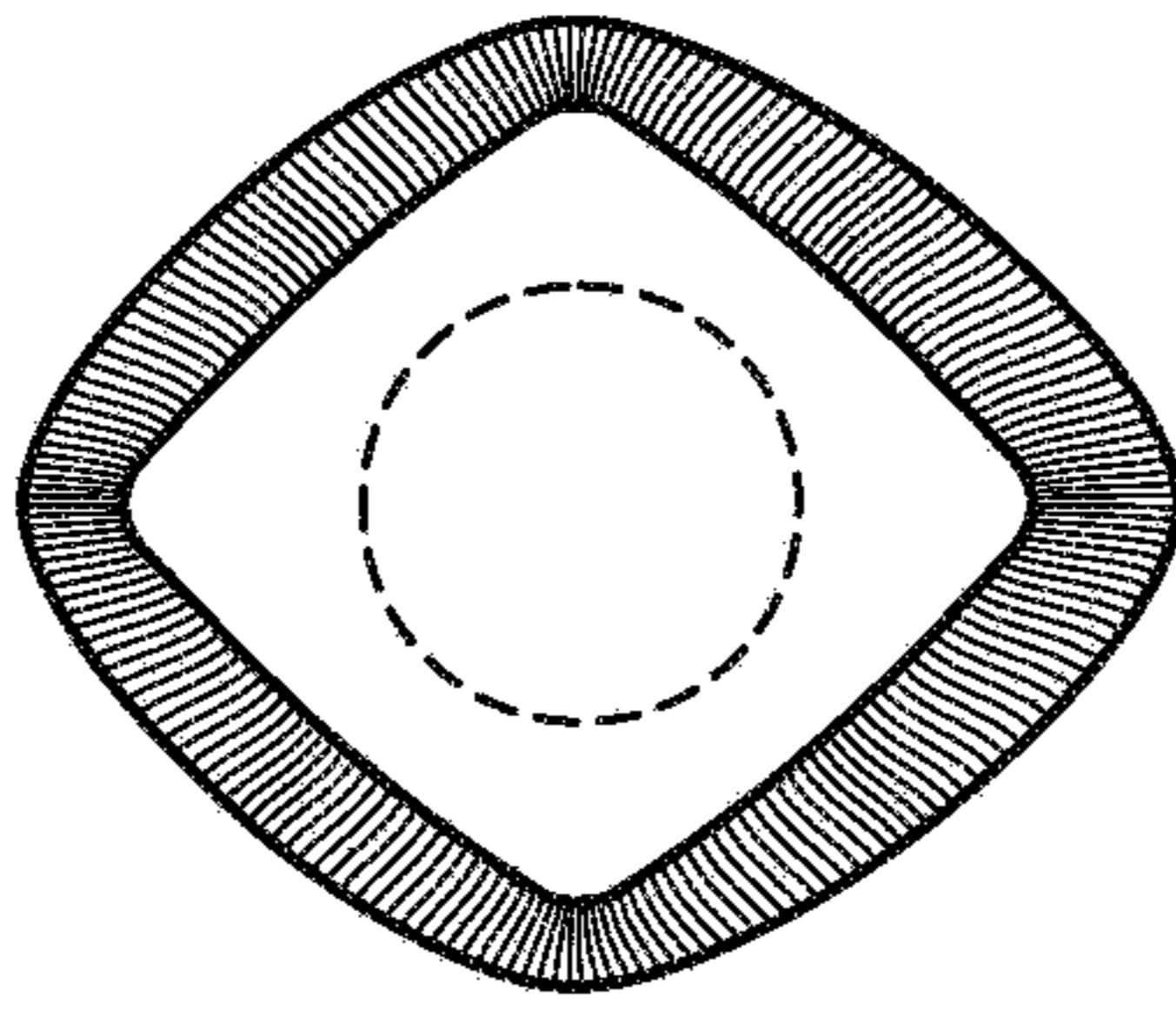


FIG. 7

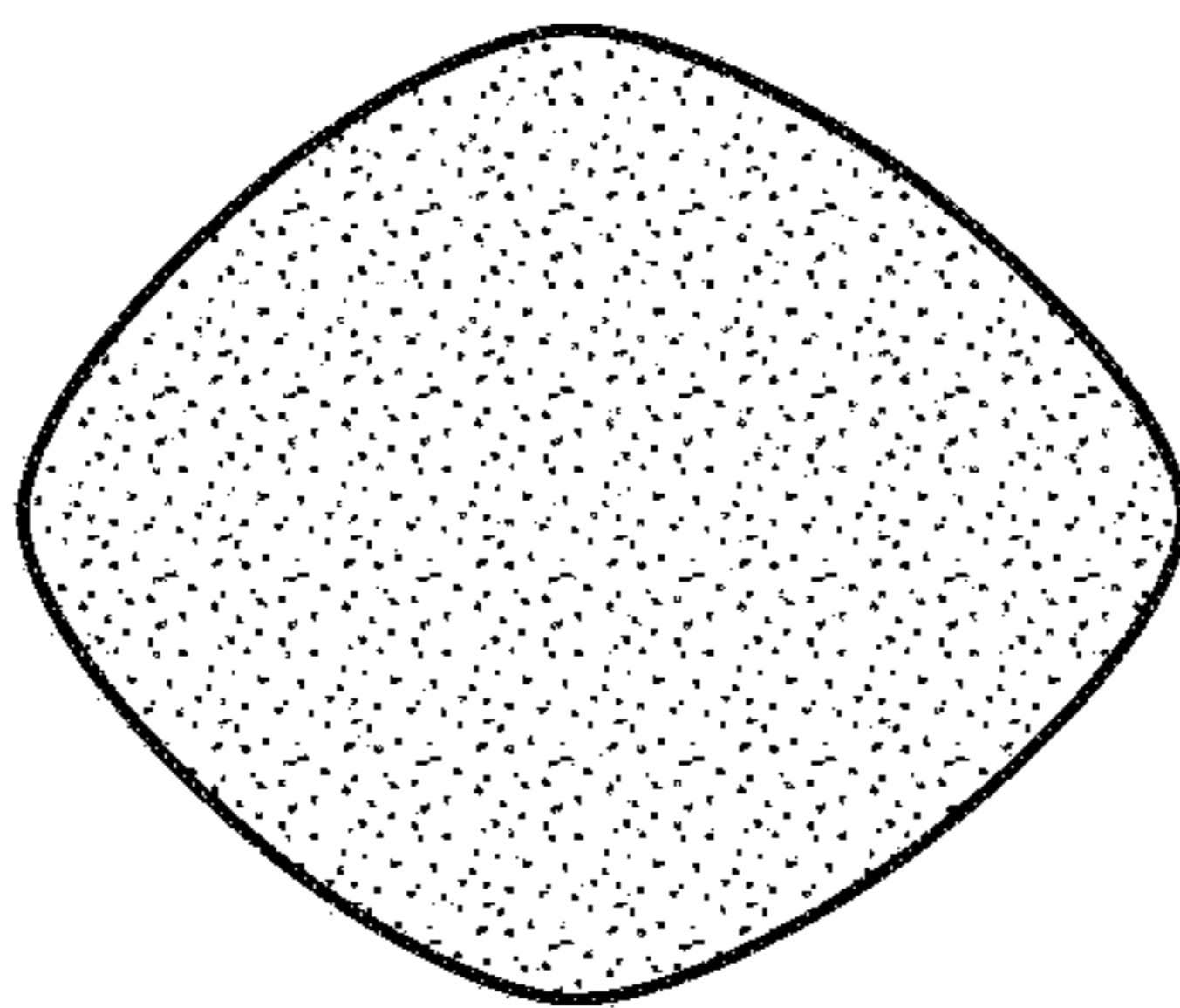


FIG. 6