



US00D956429S

(12) **United States Design Patent**
Murphy et al.

(10) **Patent No.:** **US D956,429 S**
(45) **Date of Patent:** **** Jul. 5, 2022**

- (54) **CLEANING BRUSH**
- (71) Applicants: **Brendan Murphy**, Kelowna (CA); **Neil Murphy**, Kelowna (CA)
- (72) Inventors: **Brendan Murphy**, Kelowna (CA); **Neil Murphy**, Kelowna (CA)
- (**) Term: **15 Years**
- (21) Appl. No.: **29/706,772**
- (22) Filed: **Sep. 24, 2019**
- (51) **LOC (13) Cl.** **04-01**
- (52) **U.S. Cl.**
USPC **D4/127**
- (58) **Field of Classification Search**
USPC D4/119, 120, 121, 127, 128, 130, 132,
D4/133, 134, 135, 136, 138, 199;
D32/49; D24/211, 214, 215
CPC A46B 2200/10; A46B 2200/1006; A46B
2200/102
See application file for complete search history.

D417,961 S *	12/1999	Powis, Jr.	D4/127
6,598,256 B2	7/2003	Thriault	
D589,257 S *	3/2009	Van Wambeke	D4/127
D889,850 S *	7/2020	Rybacek	D4/133
D930,366 S *	9/2021	Kim	D4/127
2005/0084317 A1*	4/2005	Kliegman	A46B 11/0079 401/9
2016/0206086 A1*	7/2016	Boyko	A46B 7/023

FOREIGN PATENT DOCUMENTS

CN	3034099	*	8/1995
CN	3357775	*	3/2004
CN	3378317	*	7/2004
CN	304485603	*	2/2018
CN	305584109	*	2/2020
WO	2009108952	A1	9/2009

* cited by examiner

Primary Examiner — Karen E Eldridge Powers

(57) **CLAIM**

We claim the ornamental design for a cleaning brush, as shown and described.

DESCRIPTION

FIG. 1 is a front elevation view of a cleaning brush. FIG. 2 is a rear elevation view of the cleaning brush. FIG. 3 is a left side elevation view of the cleaning brush. FIG. 4 is a right side elevation view of the cleaning brush. FIG. 5 is a top plan view of the cleaning brush. FIG. 6 is a bottom plan view of the cleaning brush; and, FIG. 7 is a top perspective view of the cleaning brush.

1 Claim, 4 Drawing Sheets

(56) **References Cited**
U.S. PATENT DOCUMENTS

1,901,812 A	3/1933	Mauro	
2,019,705 A	11/1935	Hubert	
2,266,902 A	12/1941	Perkins	
3,380,093 A *	4/1968	Hill	A47L 17/04 15/93.1
4,228,559 A	10/1980	Kirk	
D295,342 S *	4/1988	van Asten	D4/102
4,812,070 A	3/1989	Marty	
D366,096 S	1/1996	Mulleins	

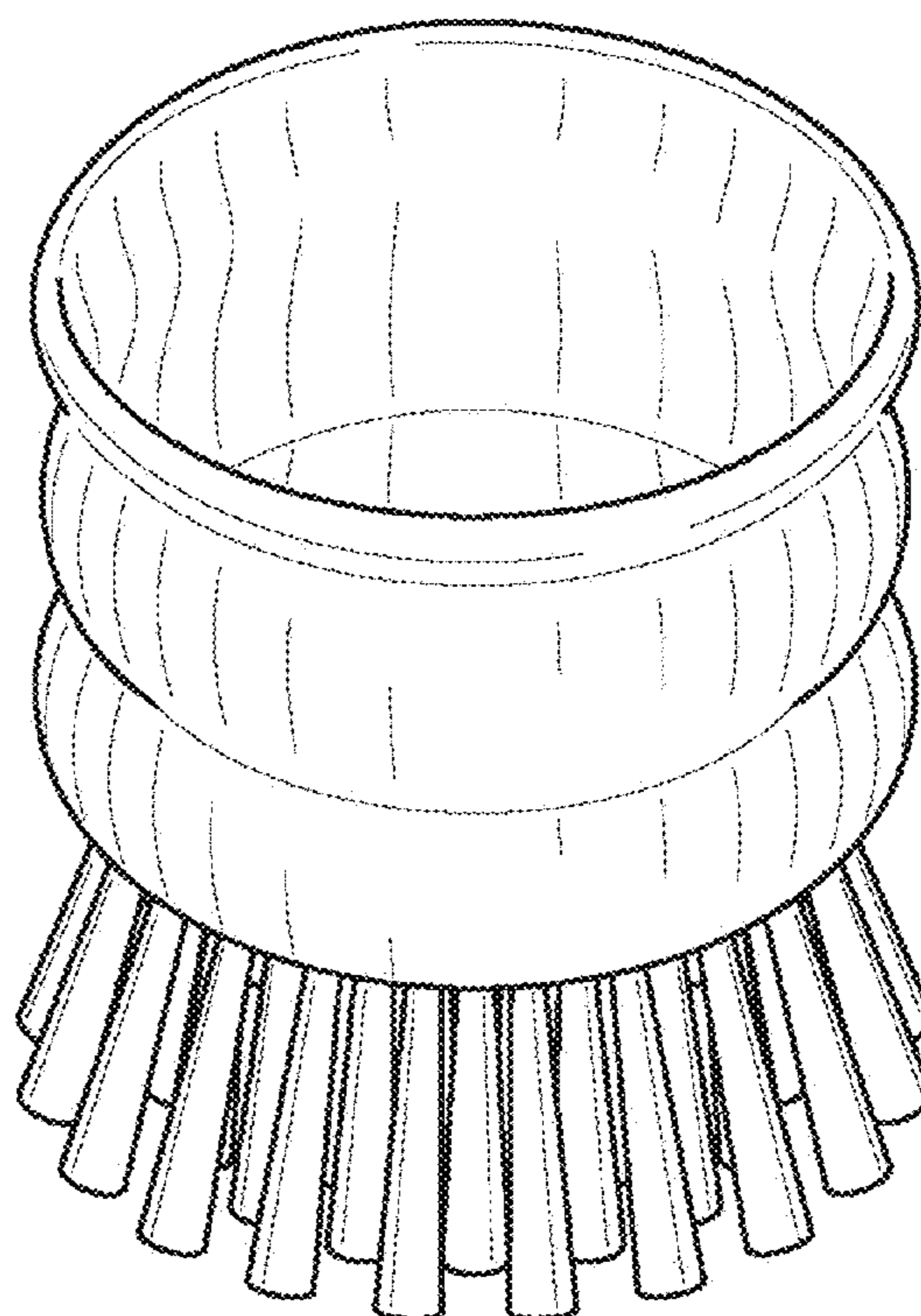
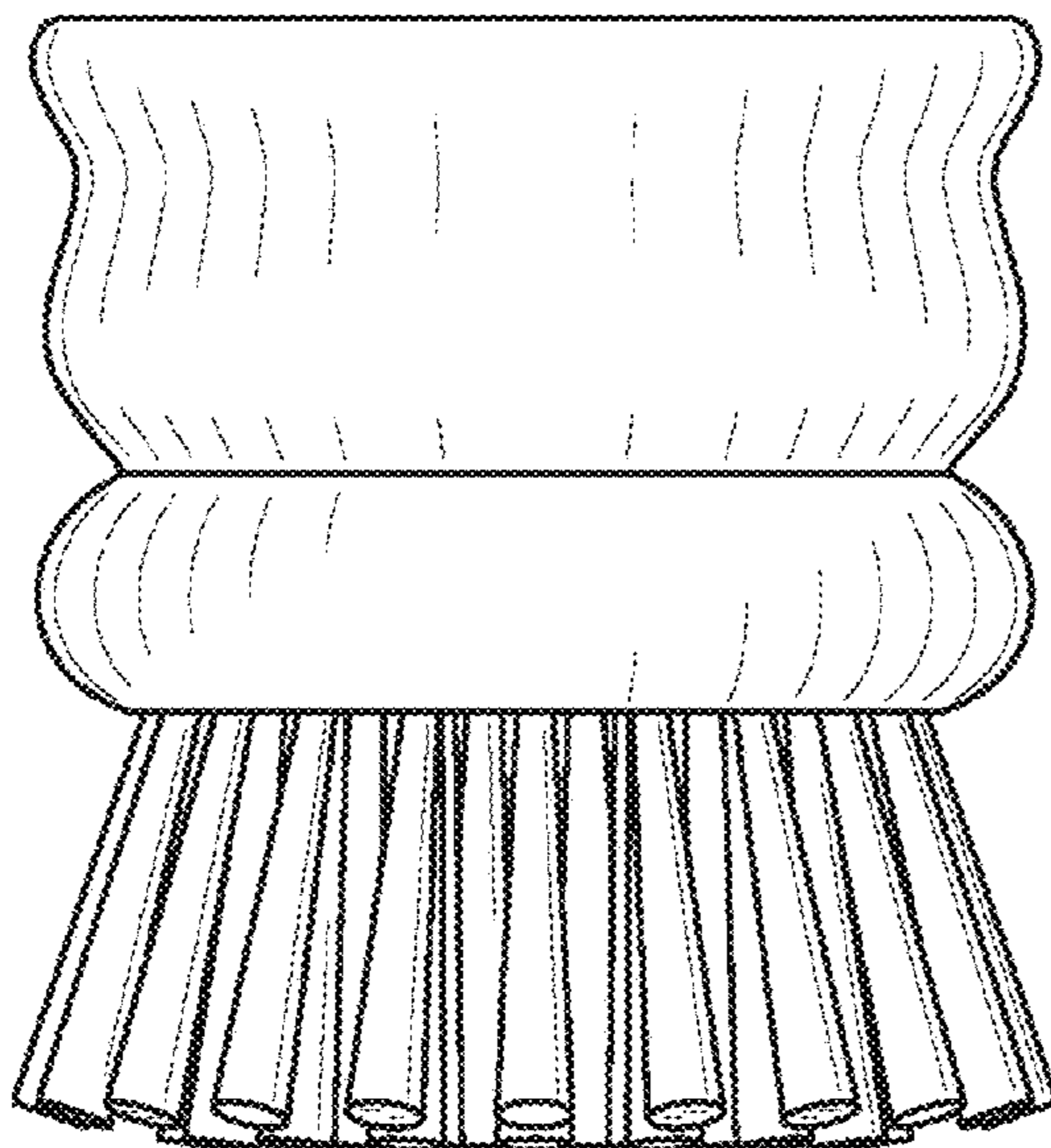


FIG. 1

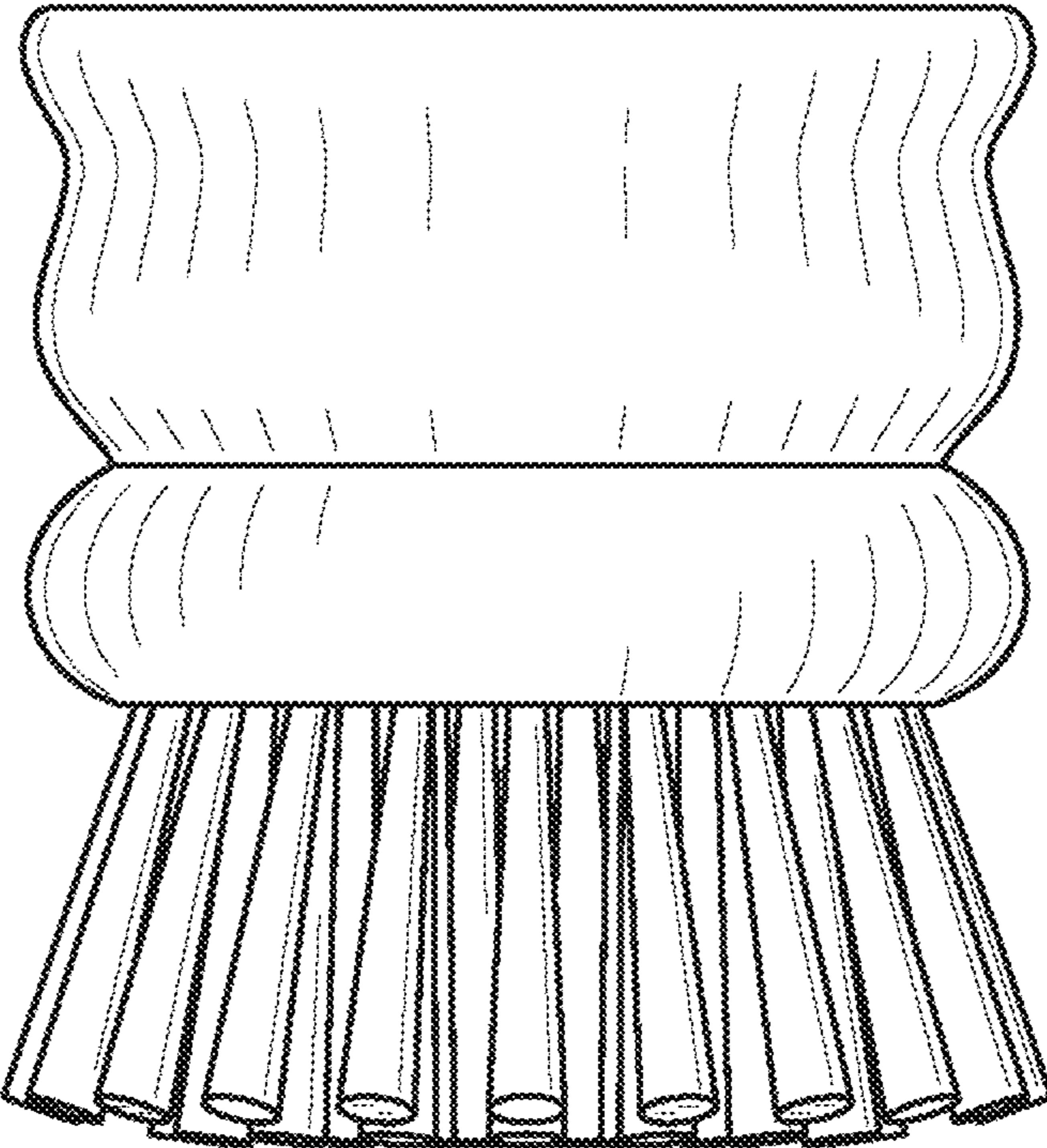


FIG. 2

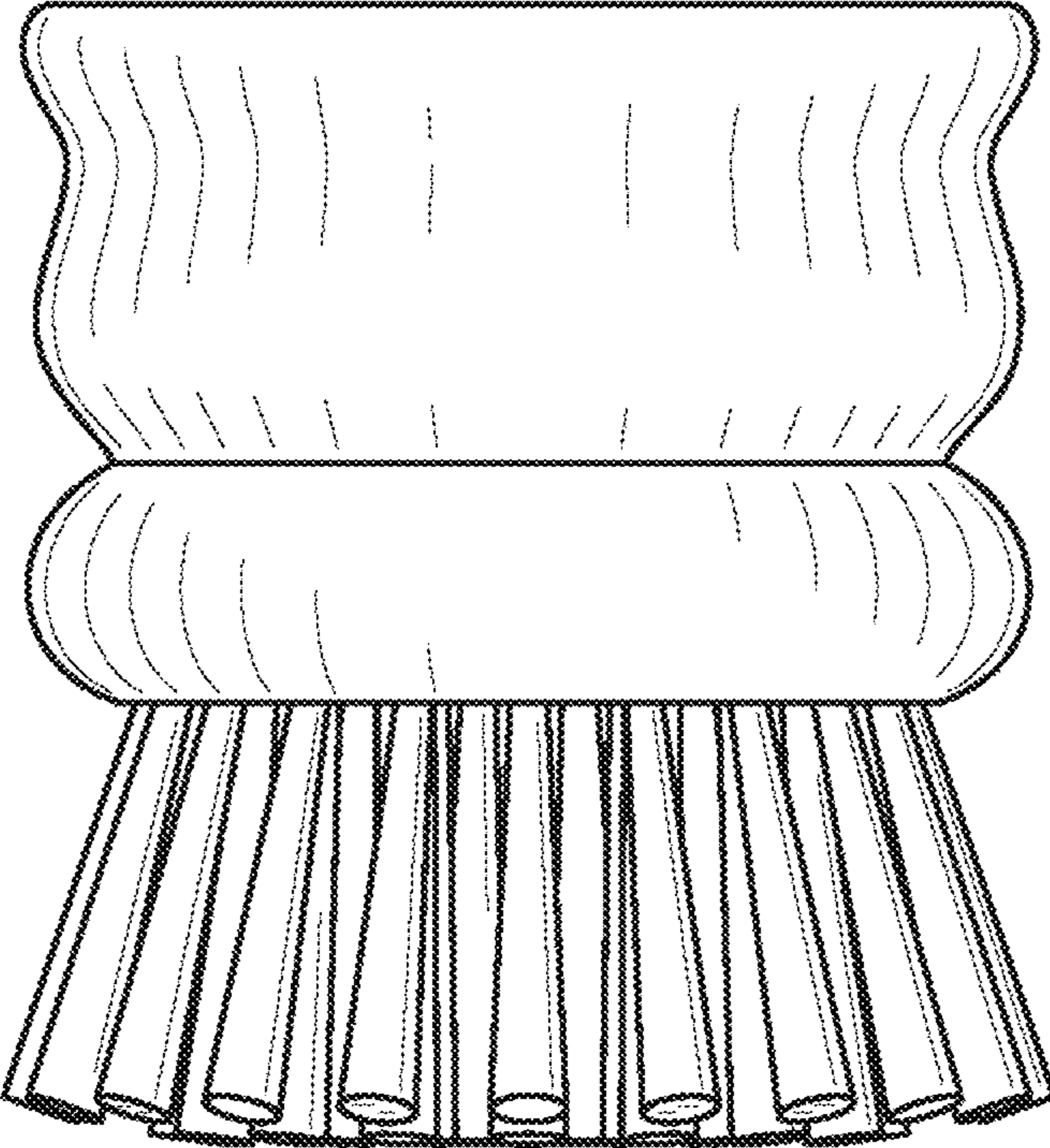


FIG. 3

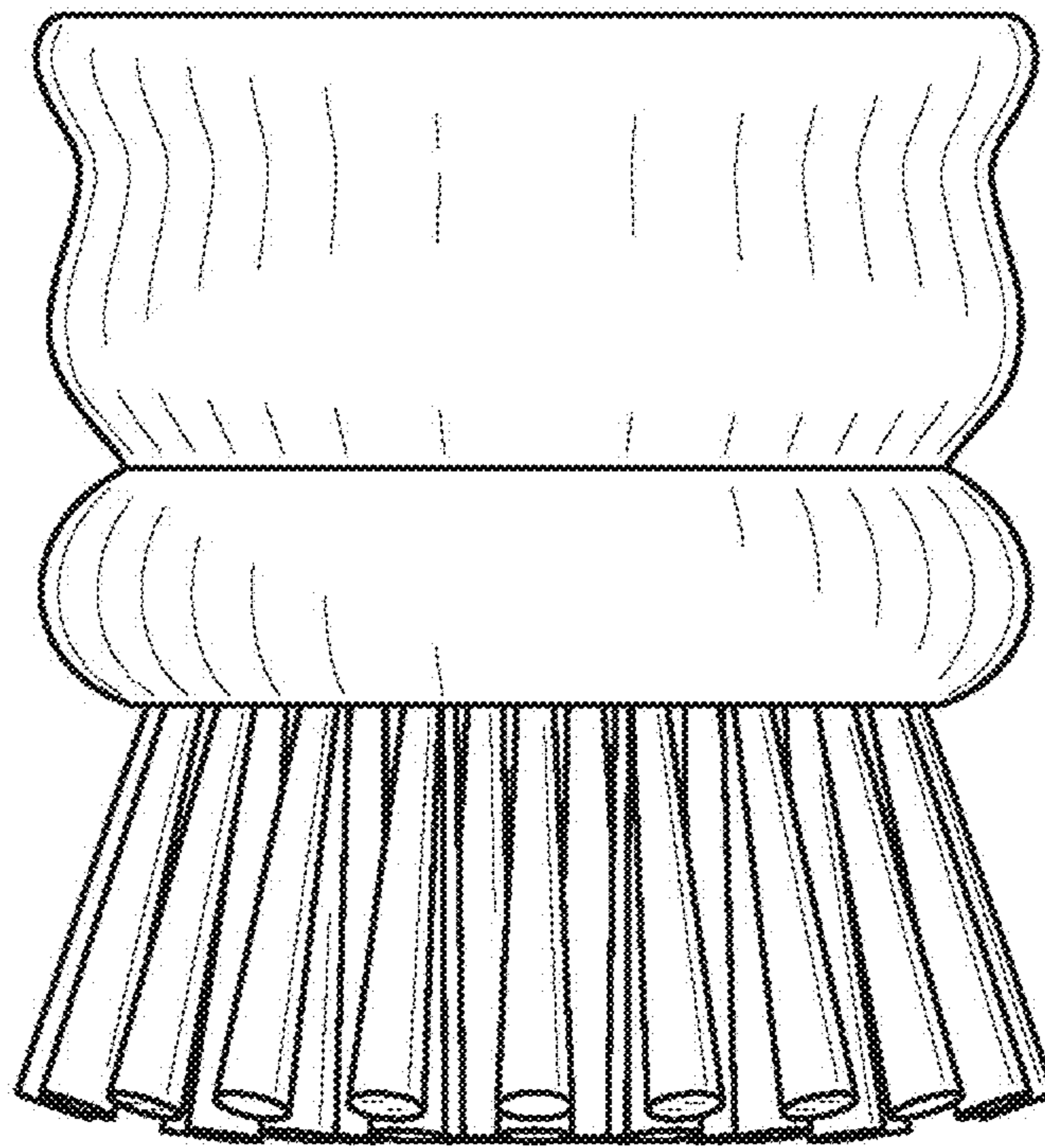


FIG. 4

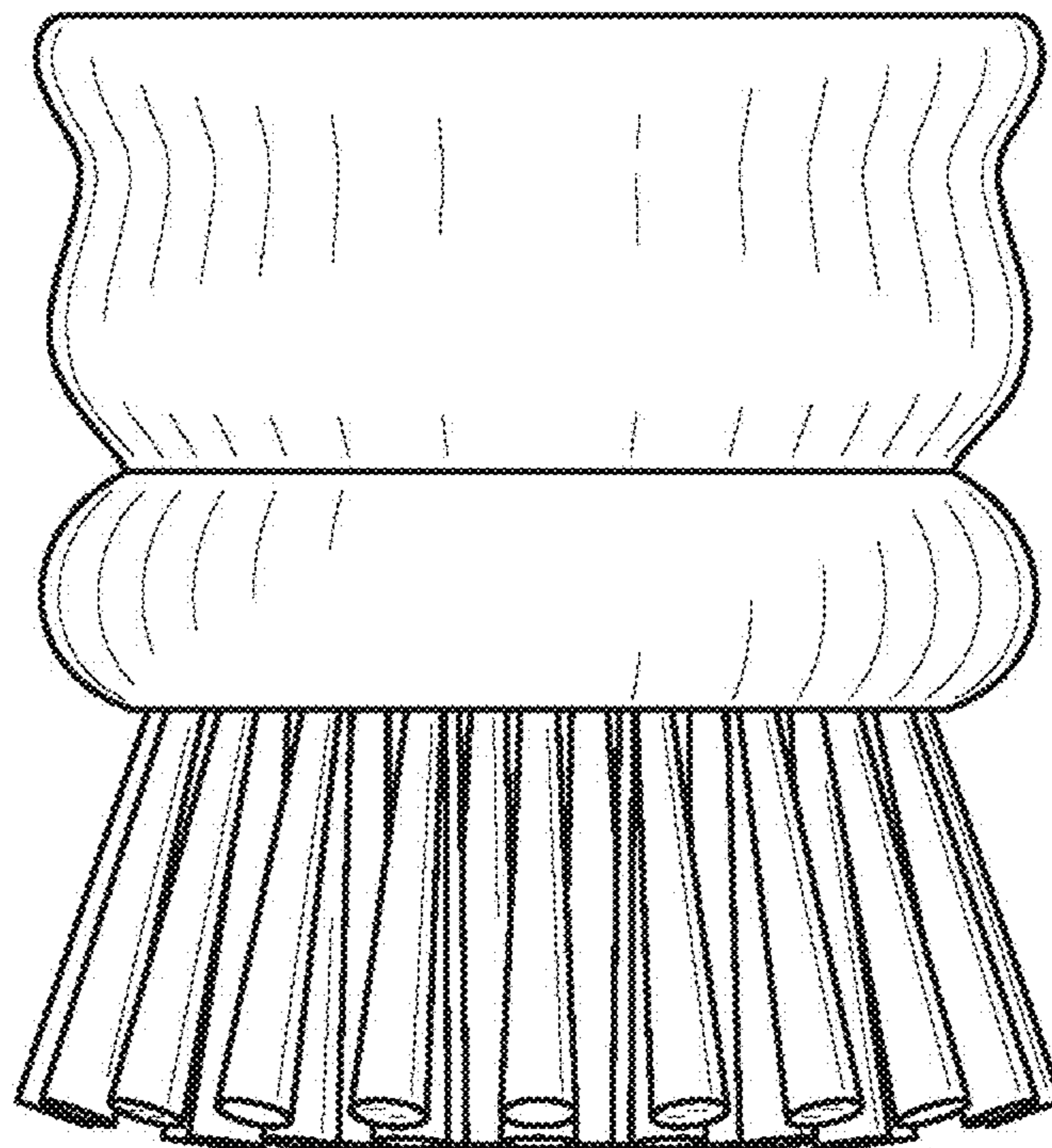


FIG. 5

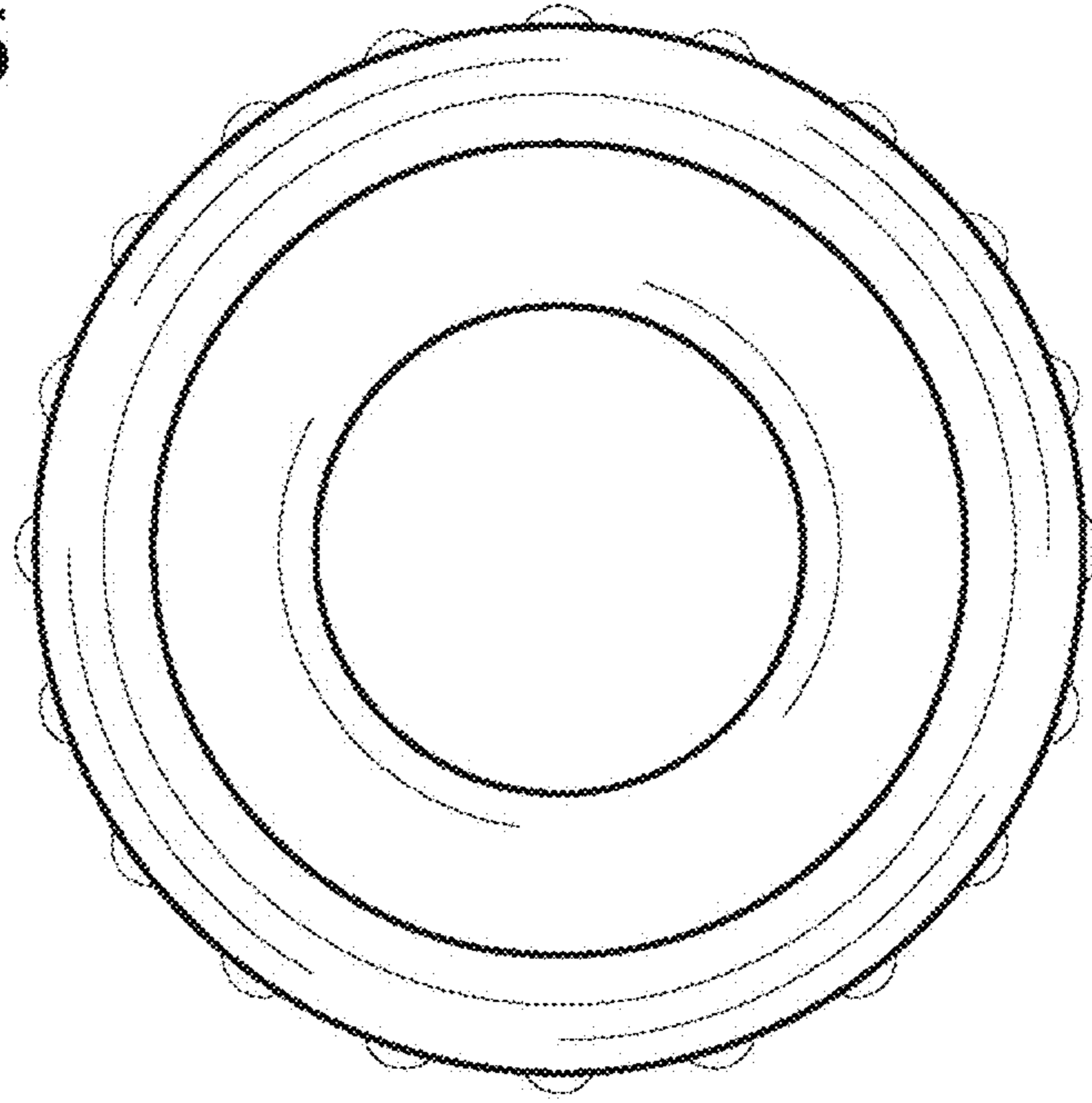
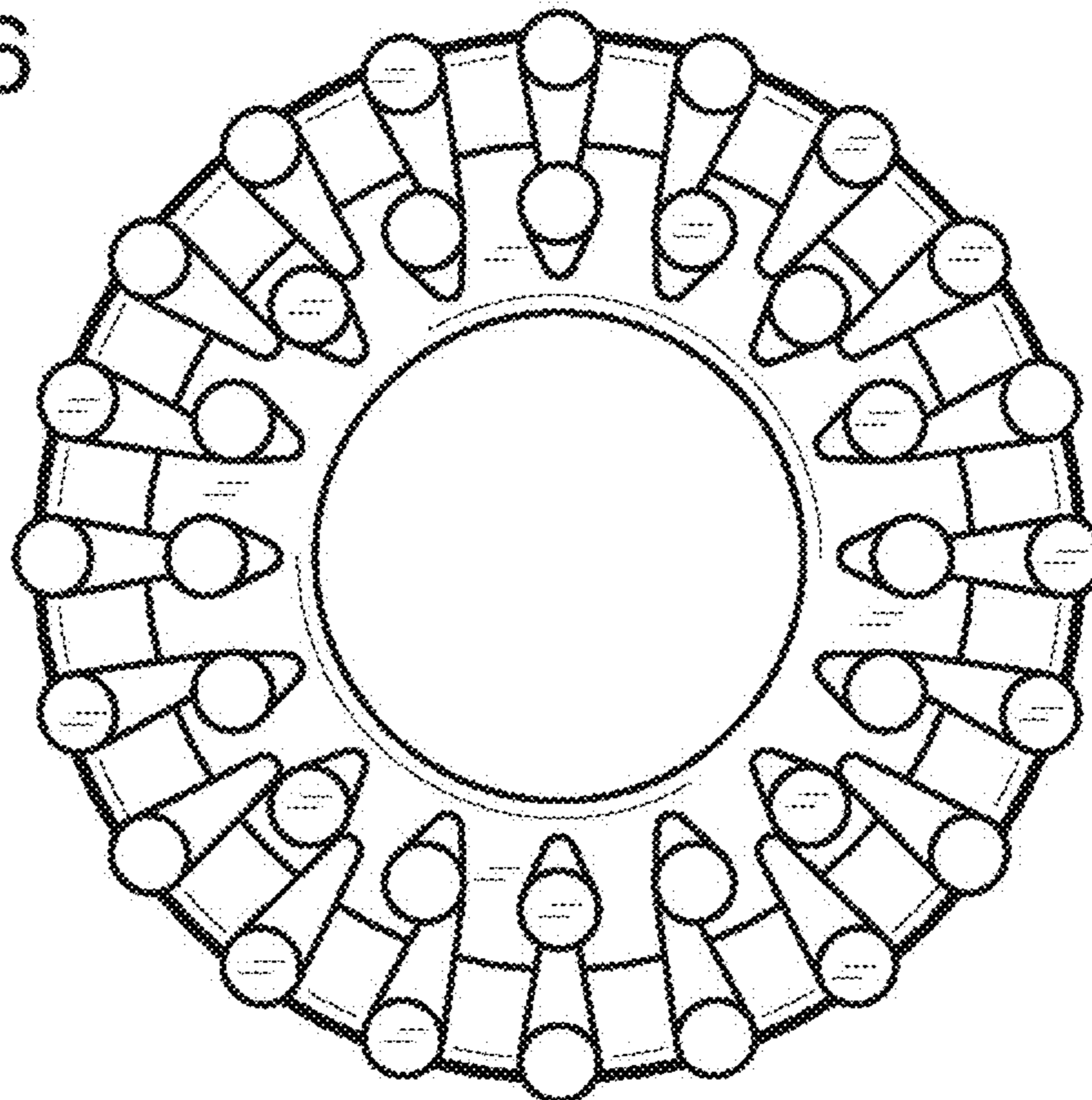


FIG. 6



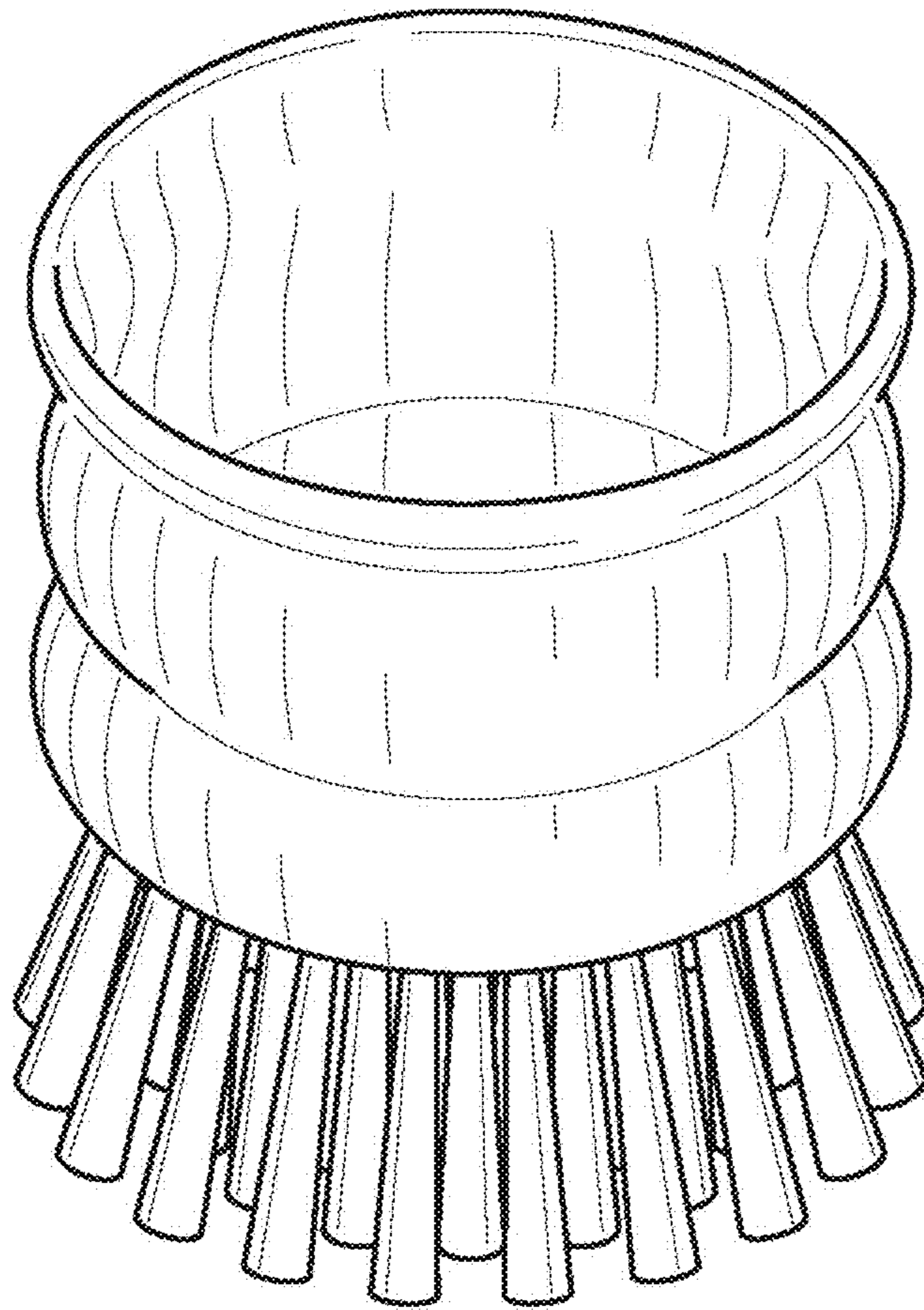


FIG. 7