



US00D956428S

(12) **United States Design Patent**
Saint-Jean, Jr.

(10) **Patent No.:** **US D956,428 S**

(45) **Date of Patent:** **** Jul. 5, 2022**

(54) **TRAILER WASH BRUSH**

(71) Applicant: **Eugene Saint-Jean, Jr.**, Miami, FL
(US)

(72) Inventor: **Eugene Saint-Jean, Jr.**, Miami, FL
(US)

(**) Term: **15 Years**

(21) Appl. No.: **29/749,478**

(22) Filed: **Sep. 4, 2020**

(51) **LOC (13) Cl.** **04-01**

(52) **U.S. Cl.**
USPC **D4/121; D4/133**

(58) **Field of Classification Search**
USPC D4/119, 120, 121, 127, 128, 130, 132,
D4/133, 134, 135, 136, 138, 199, 100,
D4/102, 114, 115; D32/49
CPC B60S 3/00; B60S 3/04; B60S 3/045; B60S
3/048; B60S 3/06; B60S 3/063; A46B
13/001; A46B 3/00; A46B 3/04; A46B
3/045

See application file for complete search history.

(56) **References Cited**

U.S. PATENT DOCUMENTS

D26,619 S *	2/1897	Burnip	D4/131
1,196,237 A *	8/1916	Holm	A46B 13/005
				15/183
1,697,534 A *	1/1929	Macready	B60S 3/048
				15/23
D152,203 S *	12/1948	Mayer	D4/133
2,654,905 A *	10/1953	Davis, Jr.	A46B 13/001
				15/198
3,409,030 A *	11/1968	Schmidt	B60S 3/04
				118/316
3,486,182 A *	12/1969	Solomon	B60S 3/063
				15/53.3
3,543,319 A *	12/1970	Posner	B60S 3/063
				15/53.2

D226,249 S *	1/1973	Brainerd	D4/119
D230,433 S *	2/1974	Brainerd	D4/119
D231,037 S *	3/1974	Brainerd	D4/119
D231,038 S *	3/1974	Brainerd	D4/119
4,541,874 A *	9/1985	Smith	B60S 3/063
				134/6

(Continued)

OTHER PUBLICATIONS

Mobile Truck Wash System by Transport Wash Systems [on-line].
[Published on the Internet Jan. 18, 2021.] [Retrieved from the
Internet Feb. 25, 2022.] URL: ><https://web.archive.org/web/20210118154914/https://transportwashsystems.com/home/single-brush-wash-systems/mobile-truck-wash/>< (Year: 2021).*

(Continued)

Primary Examiner — Karen E Eldridge Powers

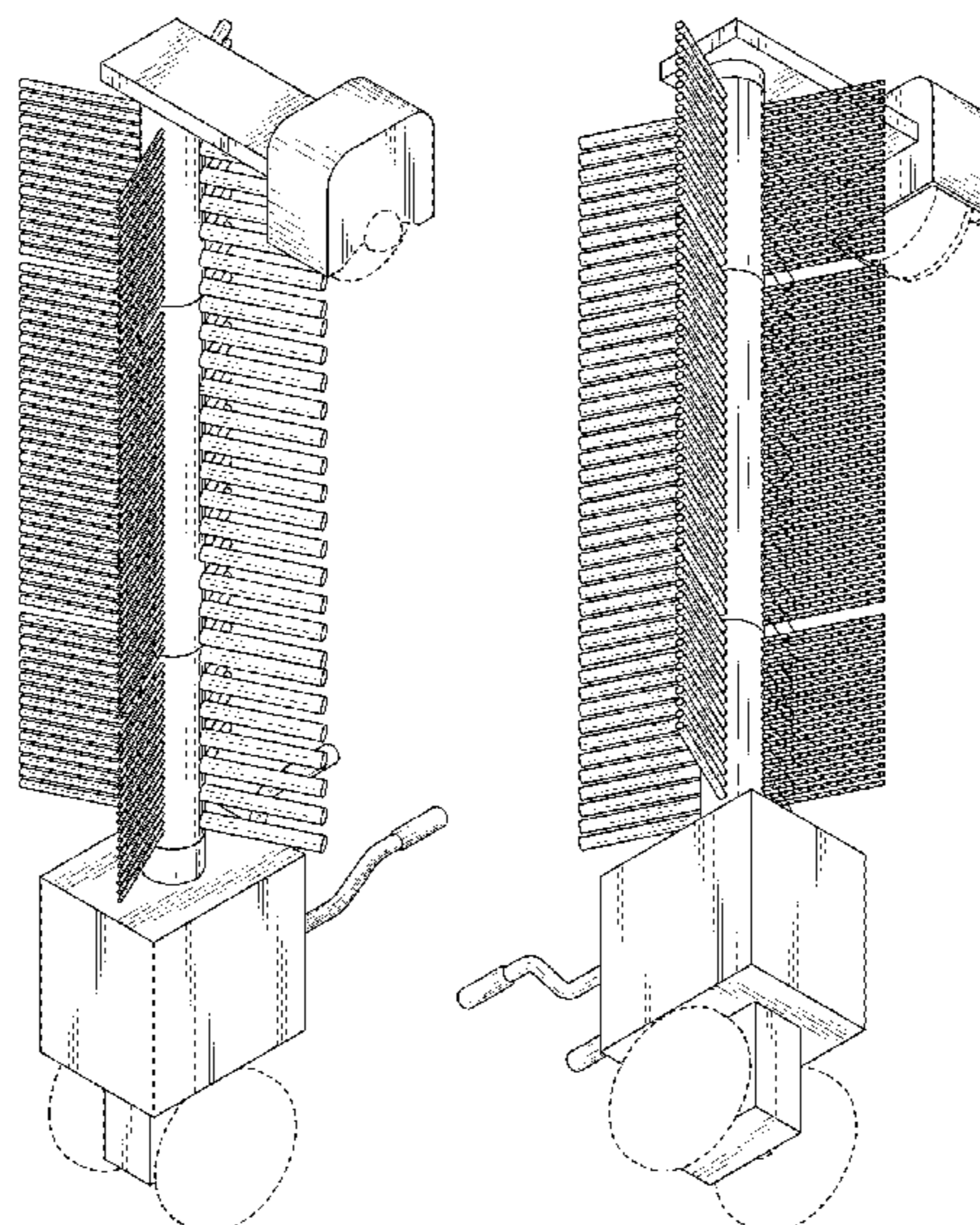
(57) **CLAIM**

The ornamental design for a trailer wash brush, as shown
and described.

DESCRIPTION

FIG. 1 is a top-front-left perspective view of a trailer wash
brush showing my new design;
FIG. 2 is a bottom-front-right perspective view thereof;
FIG. 3 is a top-rear-left perspective view thereof;
FIG. 4 is a bottom-rear-right perspective view thereof;
FIG. 5 is a front elevational view thereof;
FIG. 6 is a rear elevated view thereof;
FIG. 7 is a top plan view thereof;
FIG. 8 is a bottom plan view thereof;
FIG. 9 is a right-side elevational view thereof; and,
FIG. 10 is a left-side elevational view thereof.
The broken-line showing of a wheel assembly in FIGS. 1-10
and the broken-line showing of a guide wheel assembly in
FIGS. 1-8 and 10 are included for the purpose of showing
environmental structure and form no part of the claimed
design.

1 Claim, 10 Drawing Sheets



(56)

References Cited

U.S. PATENT DOCUMENTS

D288,627 S * 3/1987 Rennels D4/130
5,083,840 A * 1/1992 Young A46B 13/005
300/21
6,843,455 B1 * 1/2005 Wentworth B60S 3/00
248/644
D527,186 S * 8/2006 Ma D4/127
D833,753 S * 11/2018 Axelrod D4/119
2012/0048311 A1 * 3/2012 Turner B60S 3/04
134/109
2022/0000255 A1 * 1/2022 Saint-Jean, Jr. A46B 13/023

OTHER PUBLICATIONS

Screen captures of Bitimec battery-powered 626 EZ, shown in video, "Washing an RV has Never Been Easier," posted by washbotscanada [on-line]. [Posted on the Internet Jun. 24, 2020.] [Retrieved from the Internet Feb. 25, 2022.] URL: ><https://www.youtube.com/watch?v=U5n8OnvTvtk>< (Year: 2020).*

* cited by examiner

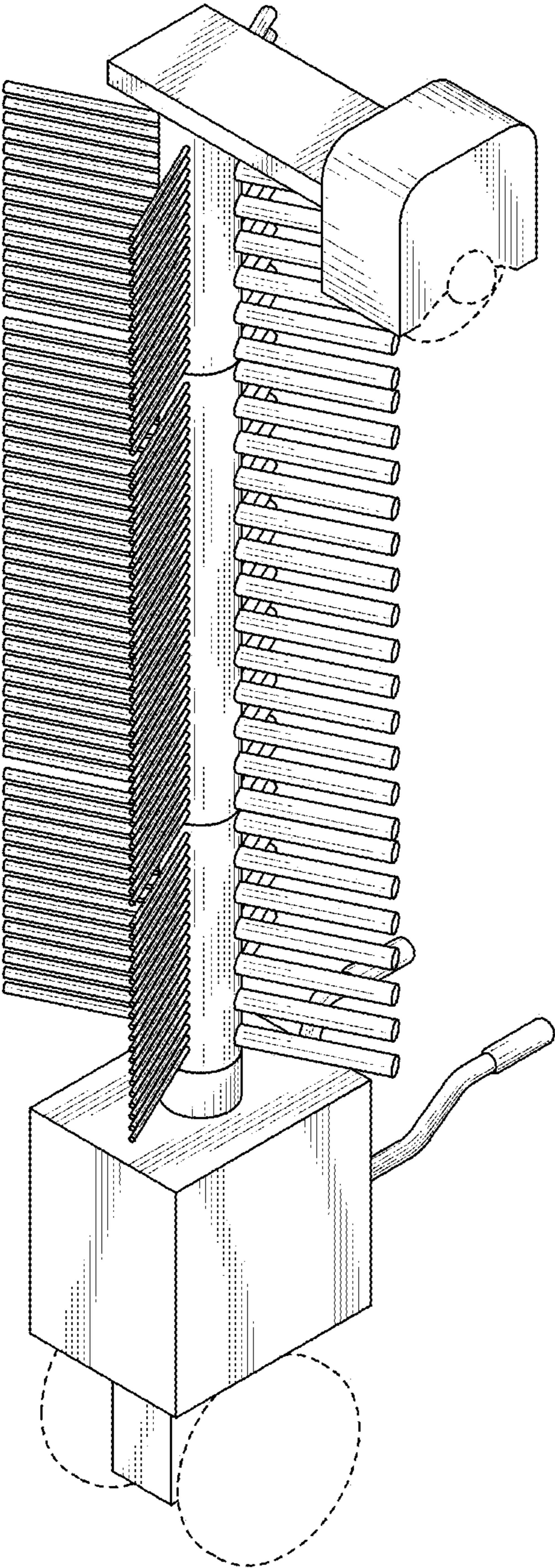


FIG. 1

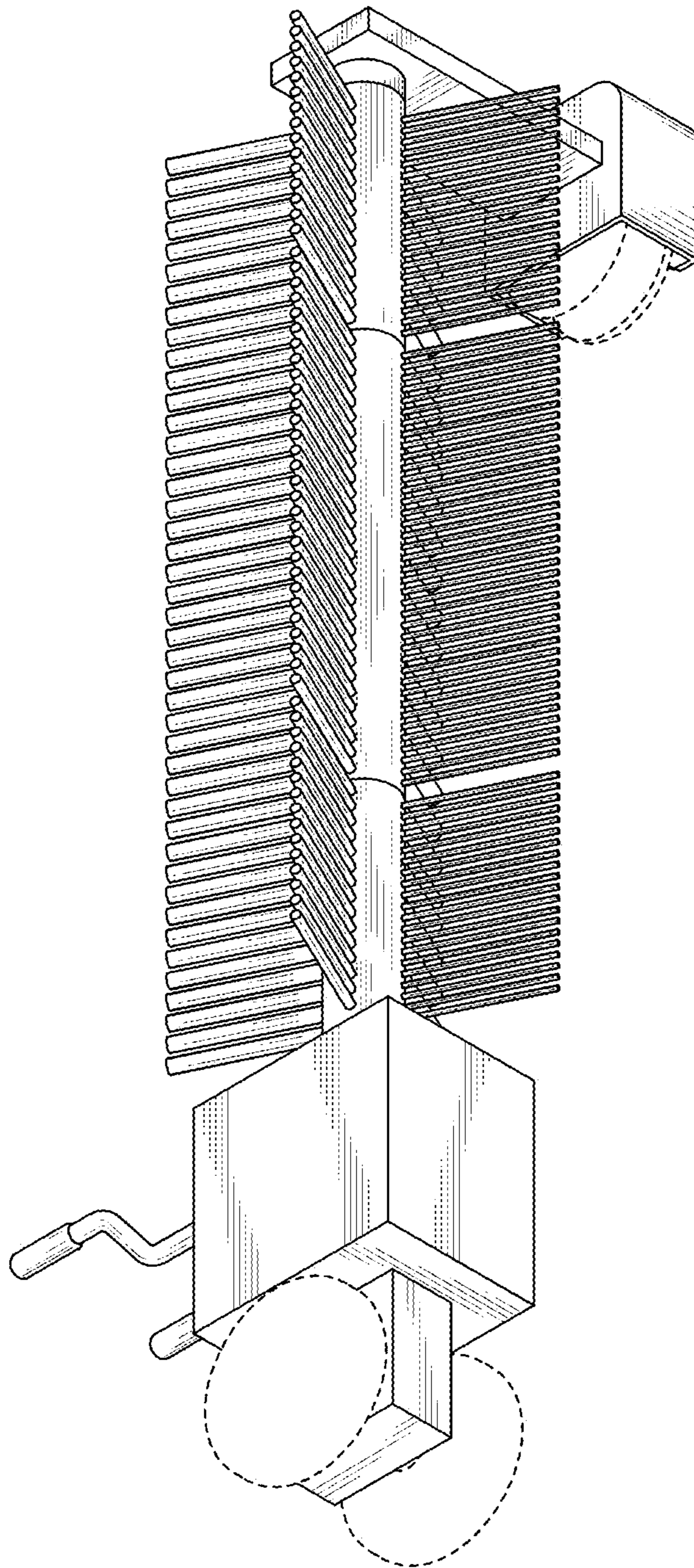


FIG. 2

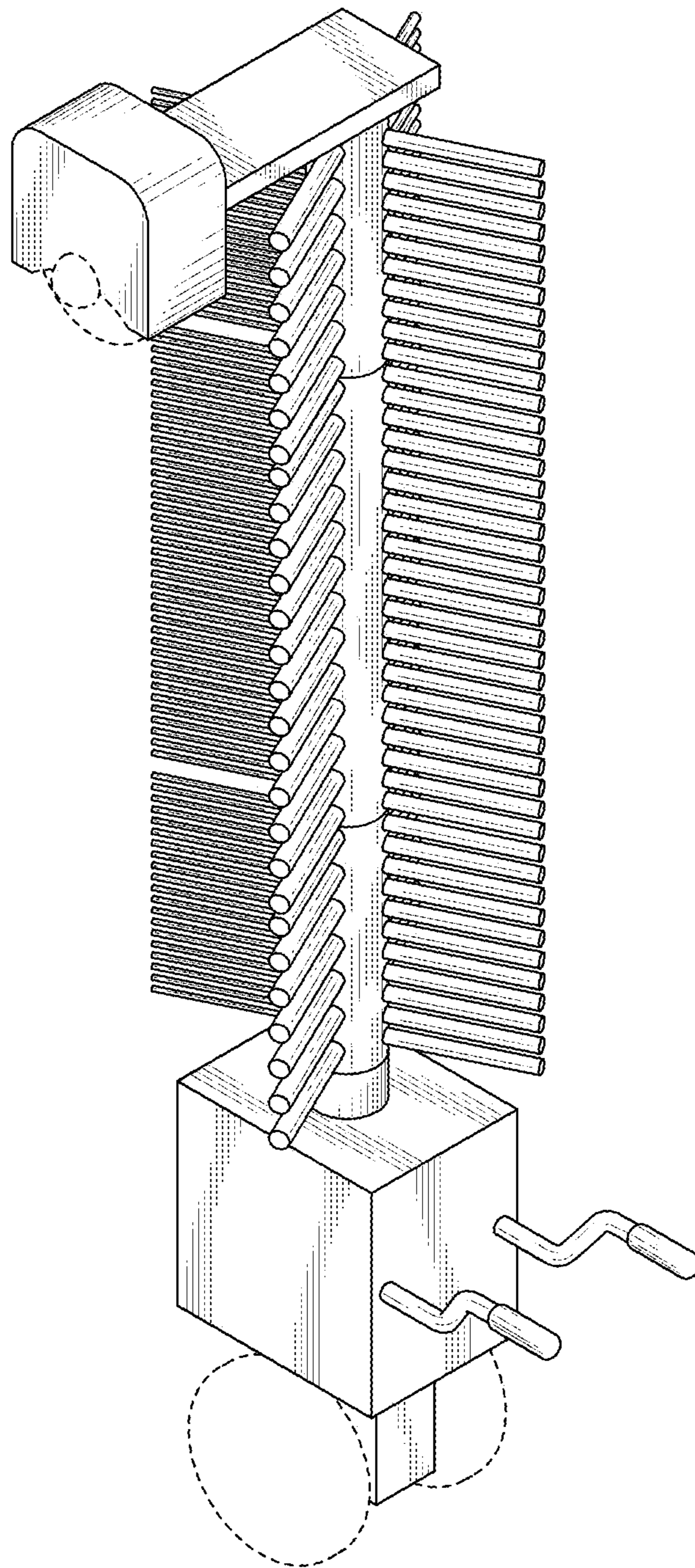


FIG. 3

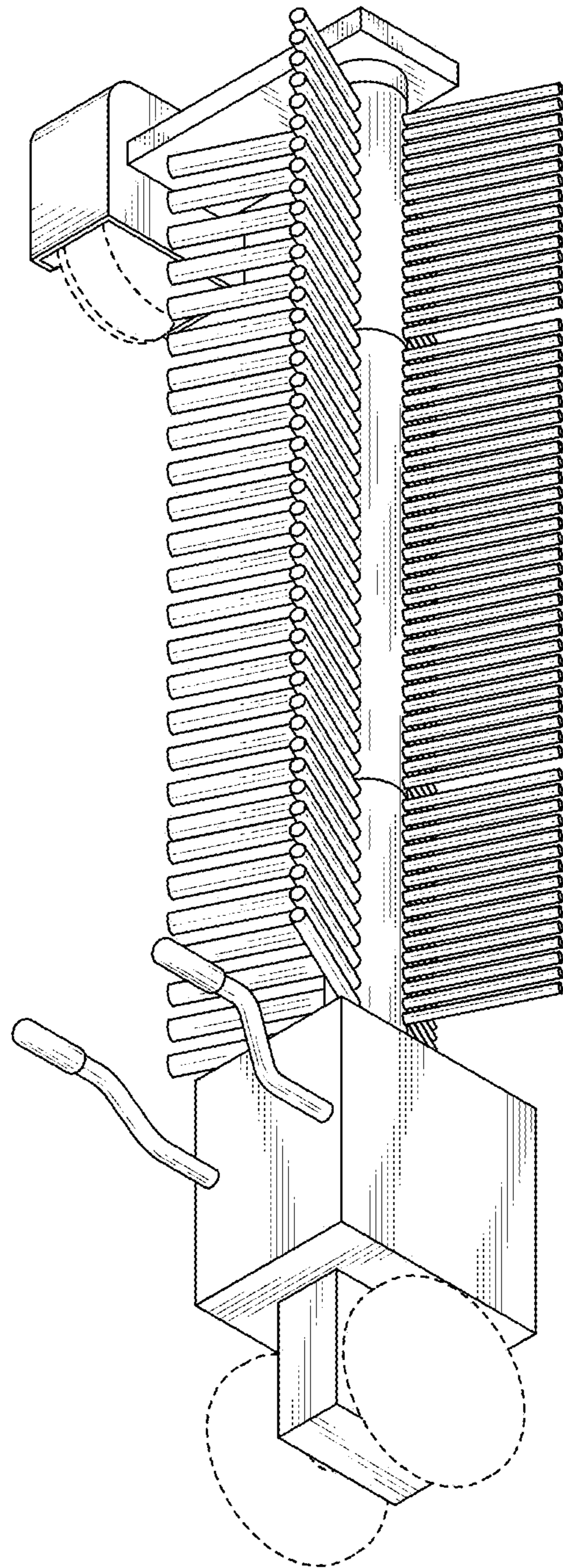


FIG. 4

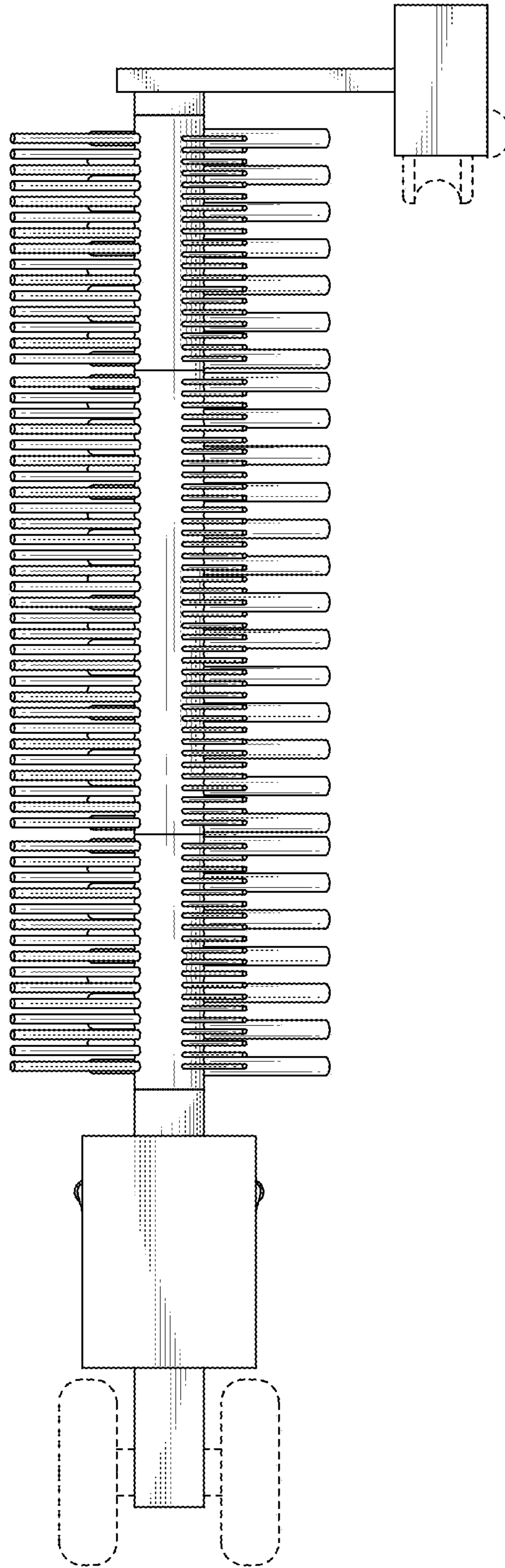


FIG. 5

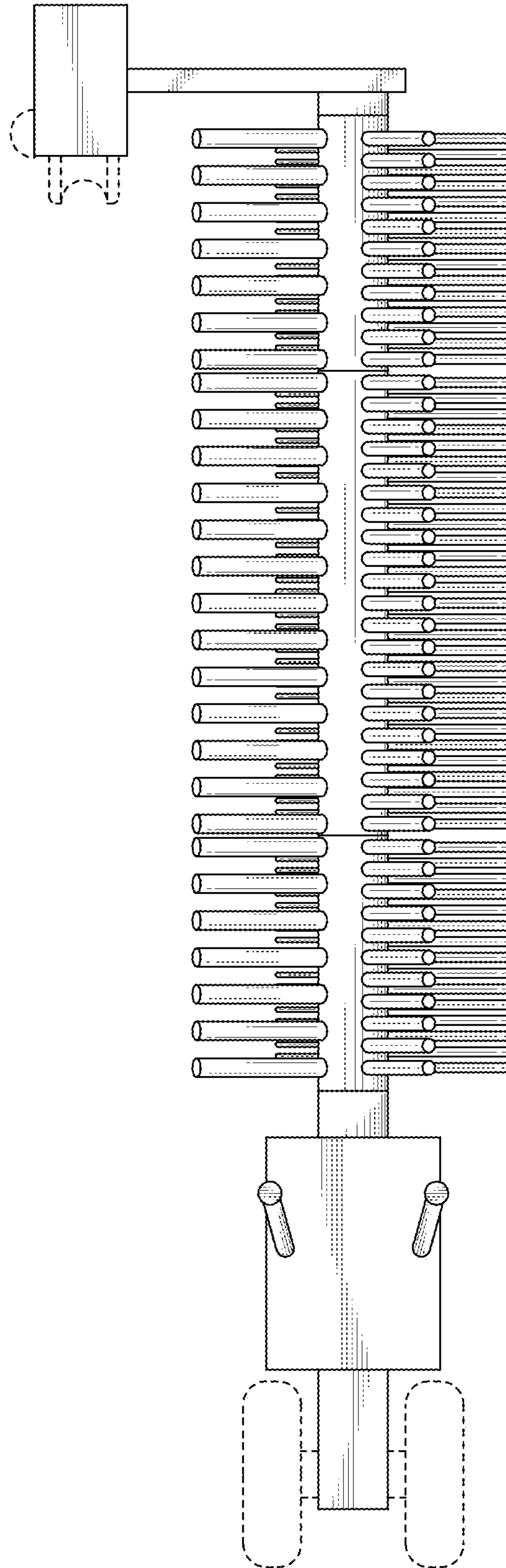


FIG. 6

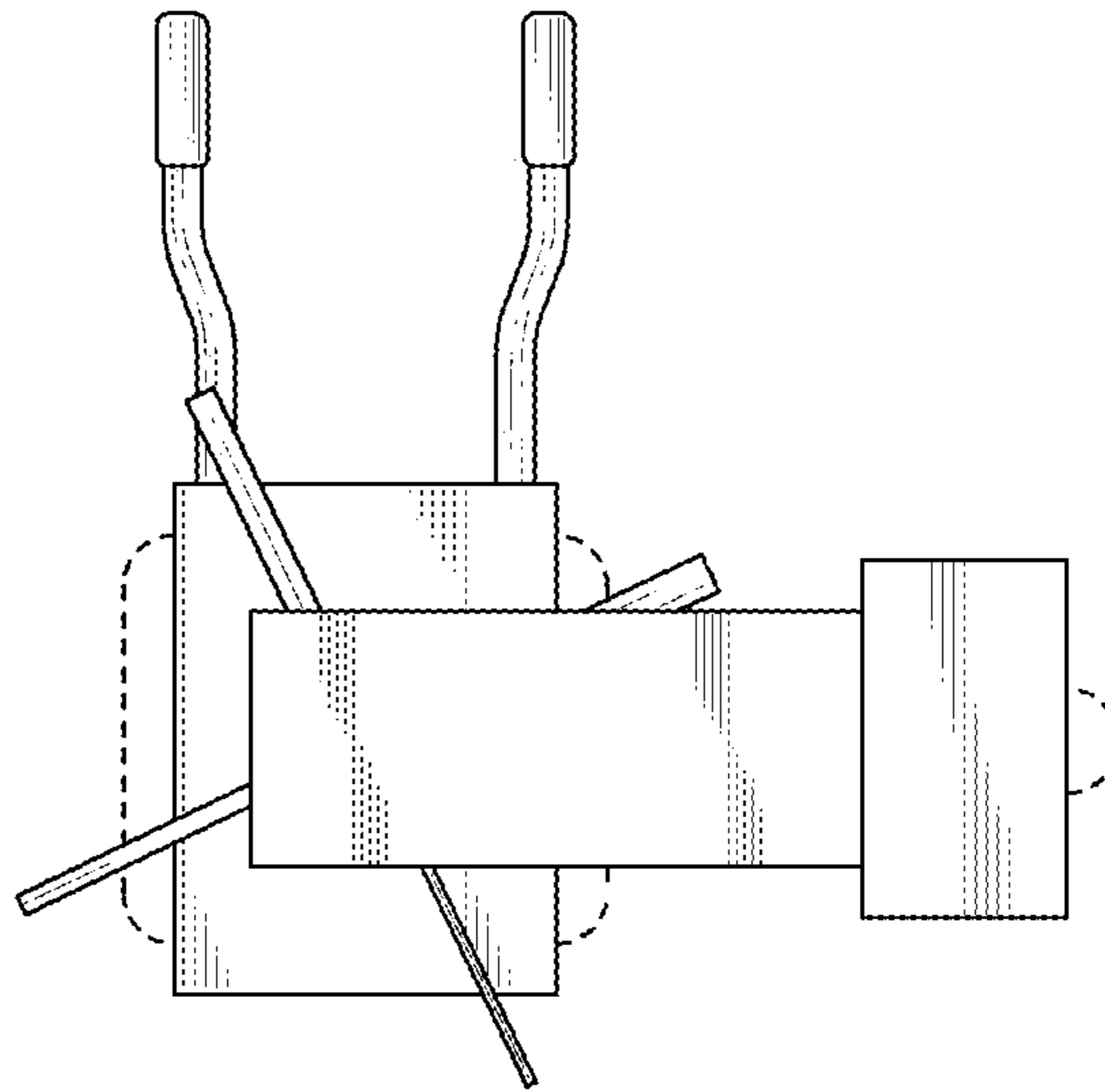


FIG. 7

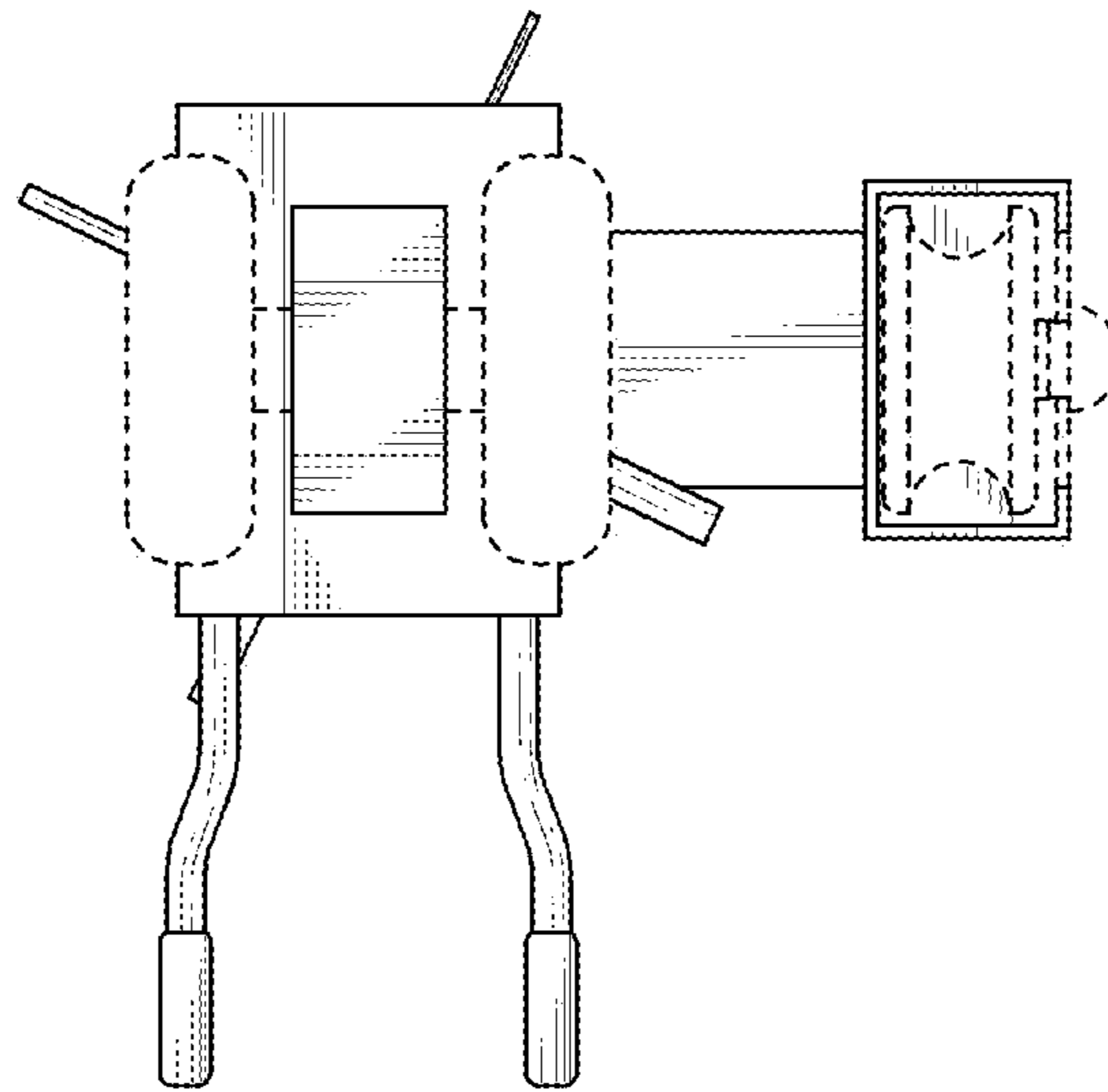


FIG. 8

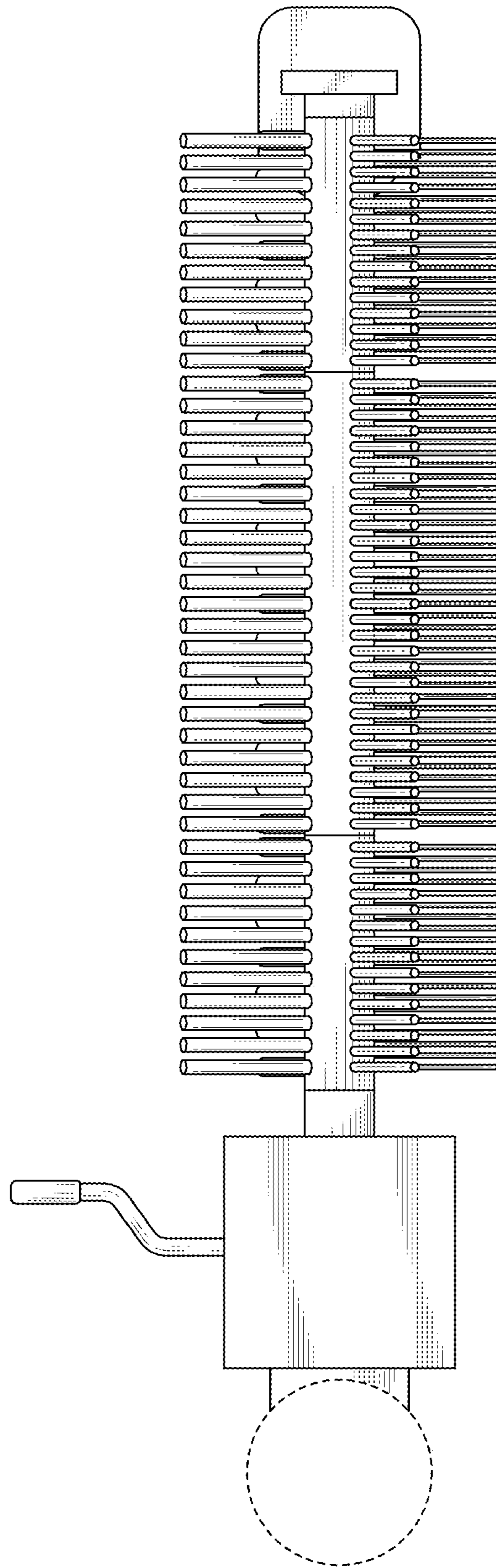


FIG. 9

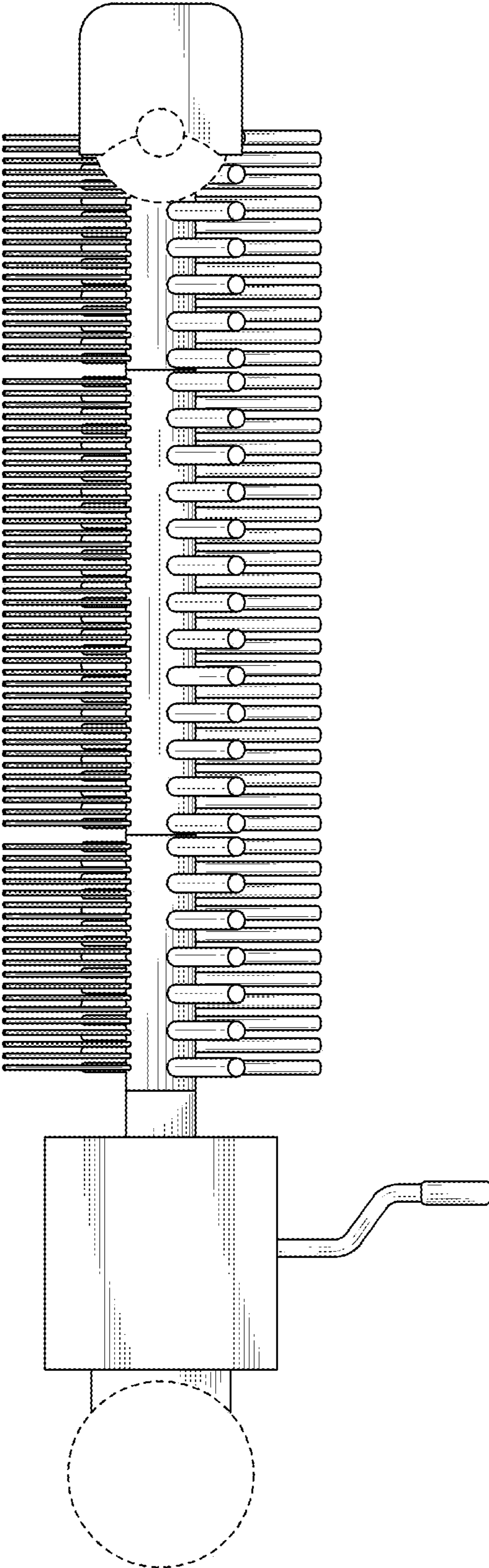


FIG. 10