



US00D956427S

(12) **United States Design Patent**  
**Saint-Jean, Jr.**

(10) **Patent No.:** **US D956,427 S**  
(45) **Date of Patent:** **\*\* Jul. 5, 2022**

- (54) **TRAILER WASH BRUSH**
- (71) Applicant: **Eugene Saint-Jean, Jr.**, Miami, FL  
(US)
- (72) Inventor: **Eugene Saint-Jean, Jr.**, Miami, FL  
(US)
- (\*\*) Term: **15 Years**
- (21) Appl. No.: **29/765,748**
- (22) Filed: **Jan. 11, 2021**

**Related U.S. Application Data**

- (63) Continuation-in-part of application No. 29/749,478, filed on Sep. 4, 2020.
- (51) **LOC (13) Cl.** ..... **04-01**
- (52) **U.S. Cl.**  
USPC ..... **D4/119; D4/121; D4/133**
- (58) **Field of Classification Search**  
USPC ..... D4/119, 120, 121, 127, 128, 130, 132,  
D4/133, 134, 135, 136, 138, 199, 100,  
D4/102, 114, 115; D32/49  
CPC .... B60S 3/00; B60S 3/04; B60S 3/045; B60S  
3/048; B60S 3/06; B60S 3/063; A46B  
13/001; A46B 3/00; A46B 3/04; A46B  
3/045  
See application file for complete search history.

(56) **References Cited**

**U.S. PATENT DOCUMENTS**

- D26,619 S \* 2/1897 Burnip ..... D4/131
- 1,196,237 A \* 8/1916 Holm ..... A46B 13/005  
15/183
- 1,697,534 A \* 1/1929 Macready ..... B60S 3/048  
15/23
- D152,203 S \* 12/1948 Mayer ..... D4/133
- 2,654,905 A \* 10/1953 Davis, Jr. .... A46B 13/001  
15/198
- 3,409,030 A \* 11/1968 Schmidt ..... B60S 3/04  
118/316

- 3,486,182 A \* 12/1969 Solomon ..... B60S 3/063  
15/53.3
- 3,543,319 A \* 12/1970 Posner ..... B60S 3/063  
15/53.2
- D226,249 S \* 1/1973 Brainerd ..... D4/119  
(Continued)

**OTHER PUBLICATIONS**

Mobile Truck Wash System by Transport Wash Systems [on-line].  
[Published on the Internet Jan. 18, 2021.] [Retrieved from the  
Internet Feb. 25, 2022.] URL: ><https://web.archive.org/web/20210118154914/https://transportwashsystems.com/home/single-brush-wash-systems/mobile-truck-wash/>< (Year: 2021).\*

(Continued)

*Primary Examiner* — Karen E Eldridge Powers

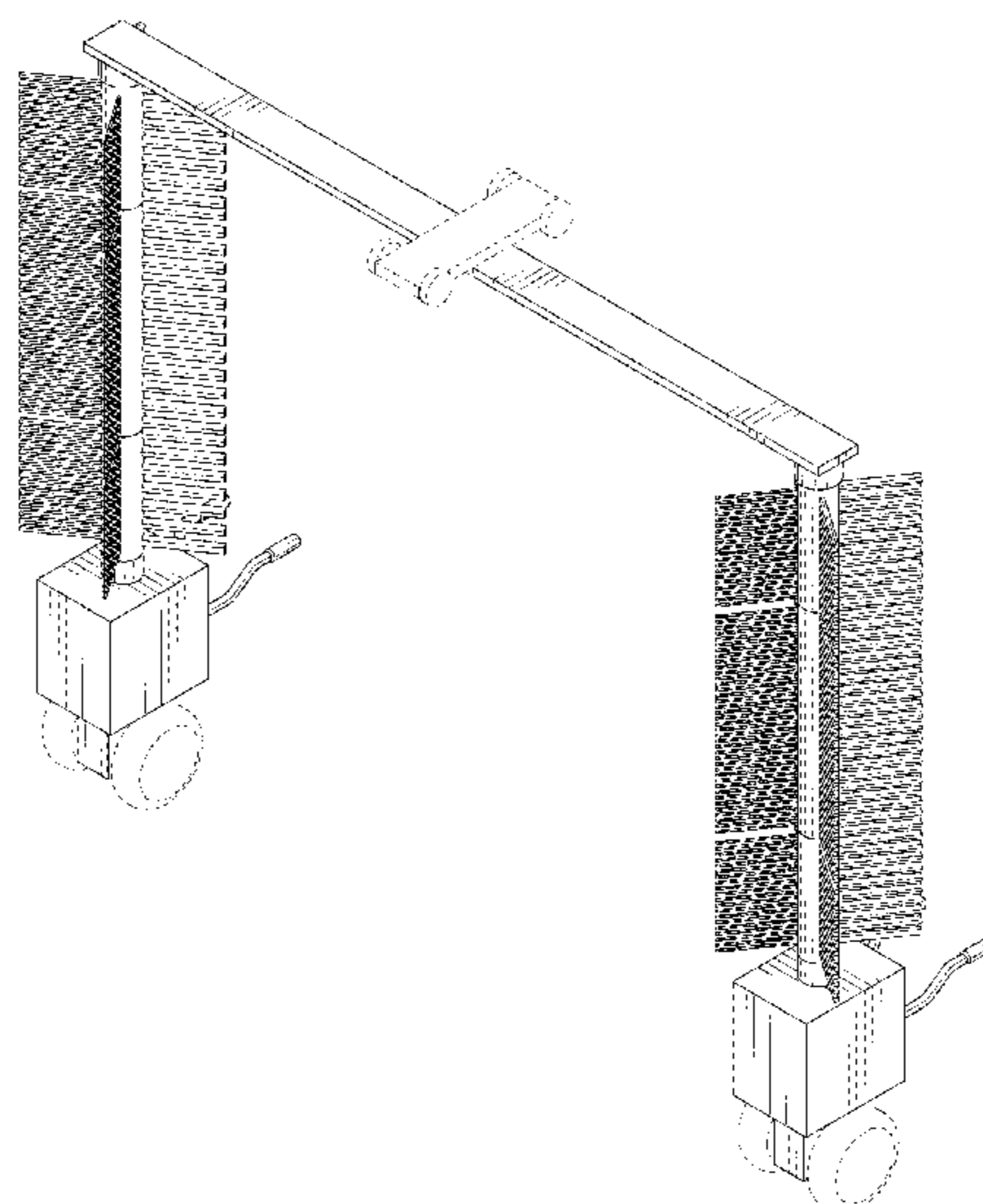
(57) **CLAIM**

The ornamental design for a trailer wash brush, as shown and described.

**DESCRIPTION**

FIG. 1 is a top-front-left perspective view of a trailer wash brush showing my new design;  
FIG. 2 is a bottom-front-right perspective view thereof;  
FIG. 3 is a top-rear-left perspective view thereof;  
FIG. 4 is a bottom-rear-right perspective view thereof;  
FIG. 5 is a front elevational view thereof;  
FIG. 6 is a rear elevated view thereof;  
FIG. 7 is a top plan view thereof;  
FIG. 8 is a bottom plan view thereof;  
FIG. 9 is a right-side elevational view thereof; and,  
FIG. 10 is a left-side elevational view thereof.  
The broken-line showing of a wheel assembly in FIGS. 1-10 and the broken-line showing of a guide wheel assembly in FIGS. 1-8 and 10 are included for the purpose of showing environmental structure and form no part of the claimed design.

**1 Claim, 10 Drawing Sheets**



(56)

**References Cited**

## U.S. PATENT DOCUMENTS

D230,433 S \* 2/1974 Brainerd ..... D4/119  
D231,037 S \* 3/1974 Brainerd ..... D4/119  
D231,038 S \* 3/1974 Brainerd ..... D4/119  
4,541,874 A \* 9/1985 Smith ..... B60S 3/063  
134/6  
D288,627 S \* 3/1987 Rennels ..... D4/130  
5,083,840 A \* 1/1992 Young ..... A46B 13/005  
300/21  
6,843,455 B1 \* 1/2005 Wentworth ..... B60S 3/00  
248/644  
D527,186 S \* 8/2006 Ma ..... D4/127  
D833,753 S \* 11/2018 Axelrod ..... D4/119  
2012/0048311 A1 \* 3/2012 Turner ..... B60S 3/04  
134/109  
2022/0000255 A1 \* 1/2022 Saint-Jean, Jr. .... A46B 13/023

## OTHER PUBLICATIONS

Screen captures of Bitimec battery-powered 626 EZ, shown in video, "Washing an RV has Never Been Easier," posted by washbotscanada [on-line]. [Posted on the Internet Jun. 24, 2020.] [Retrieved from the Internet Feb. 25, 2022.] URL: ><https://www.youtube.com/watch?v=U5n8OnvTvtk>< (Year: 2020).\*

\* cited by examiner

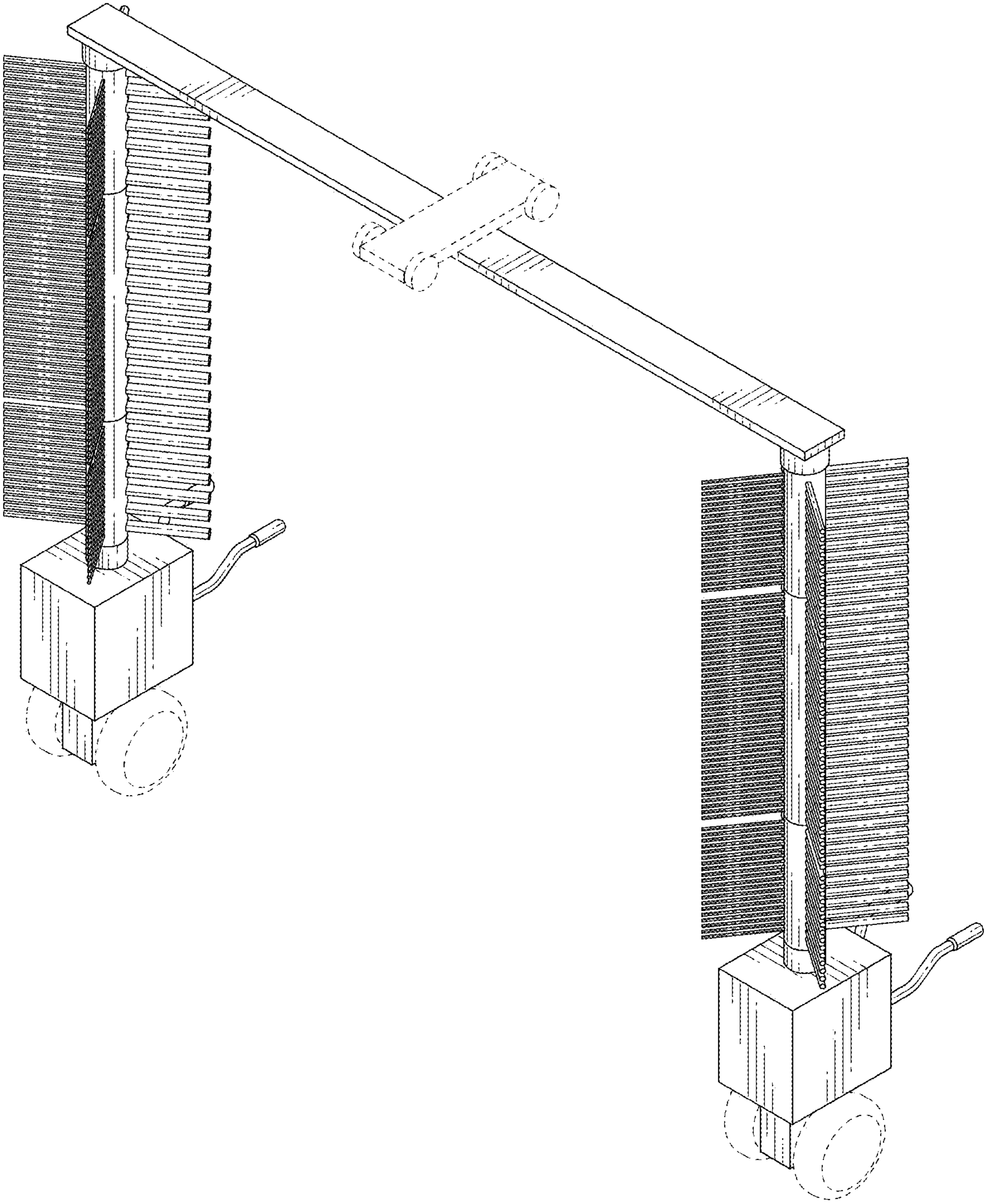


FIG. 1

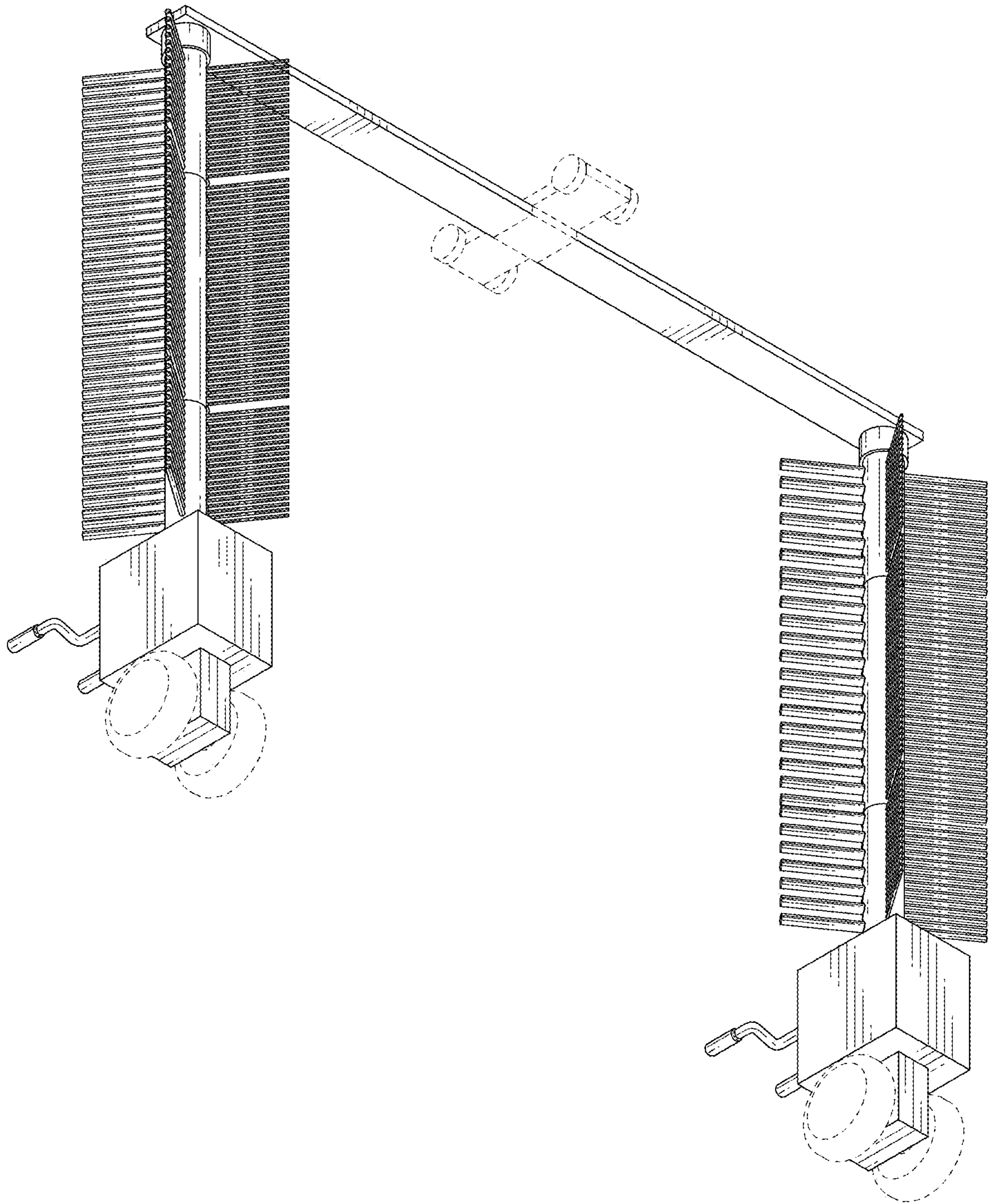


FIG. 2

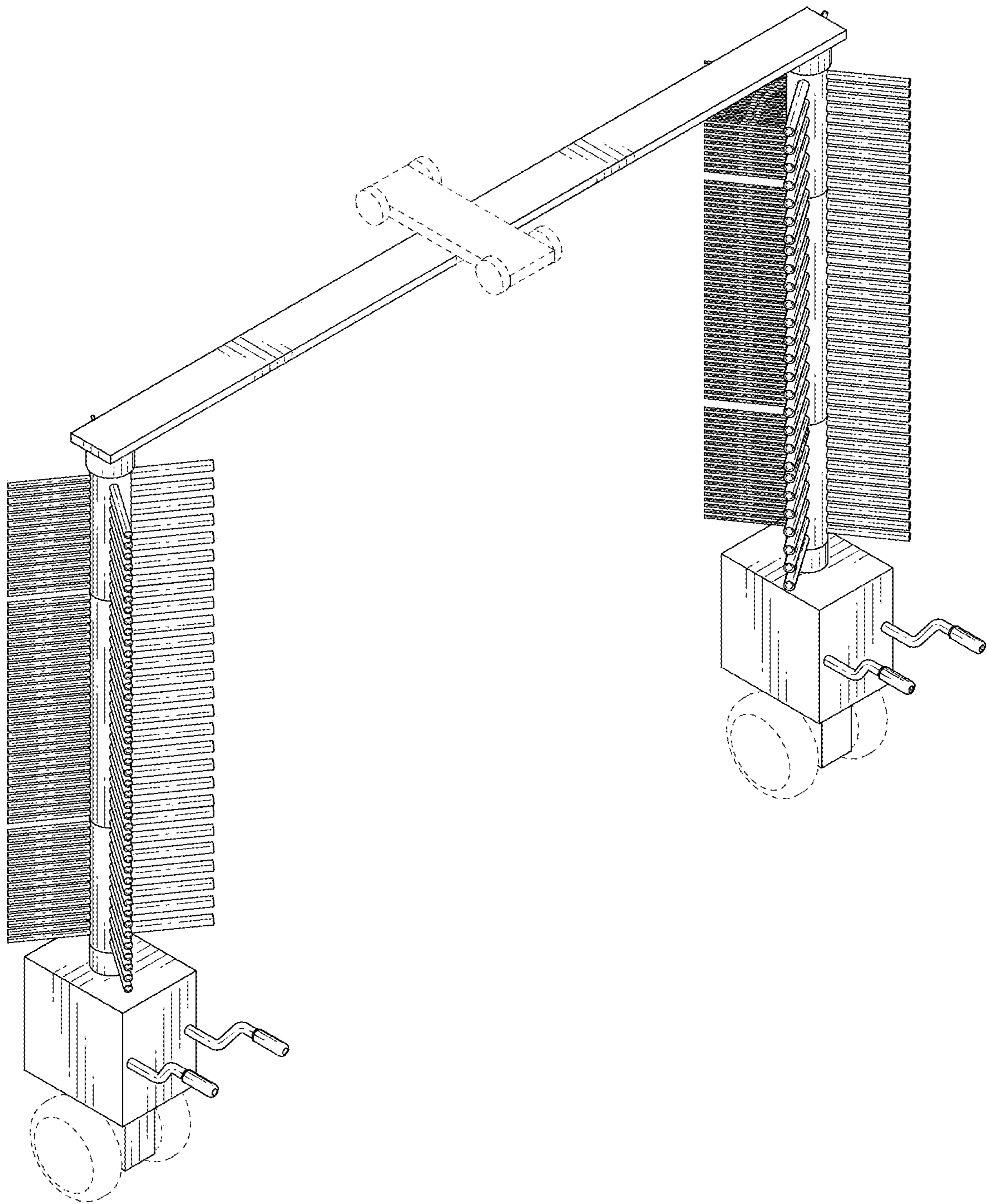


FIG. 3

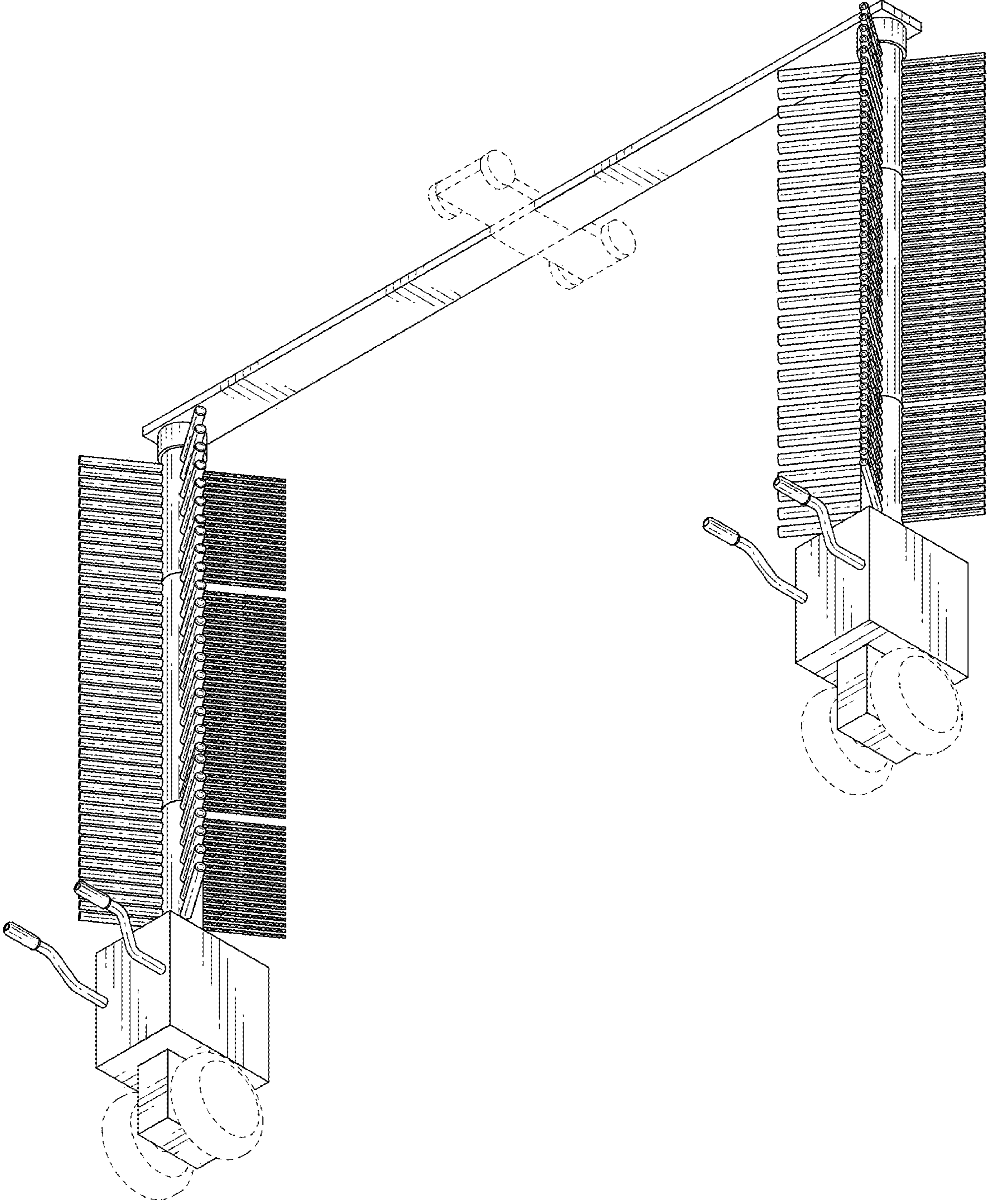


FIG. 4

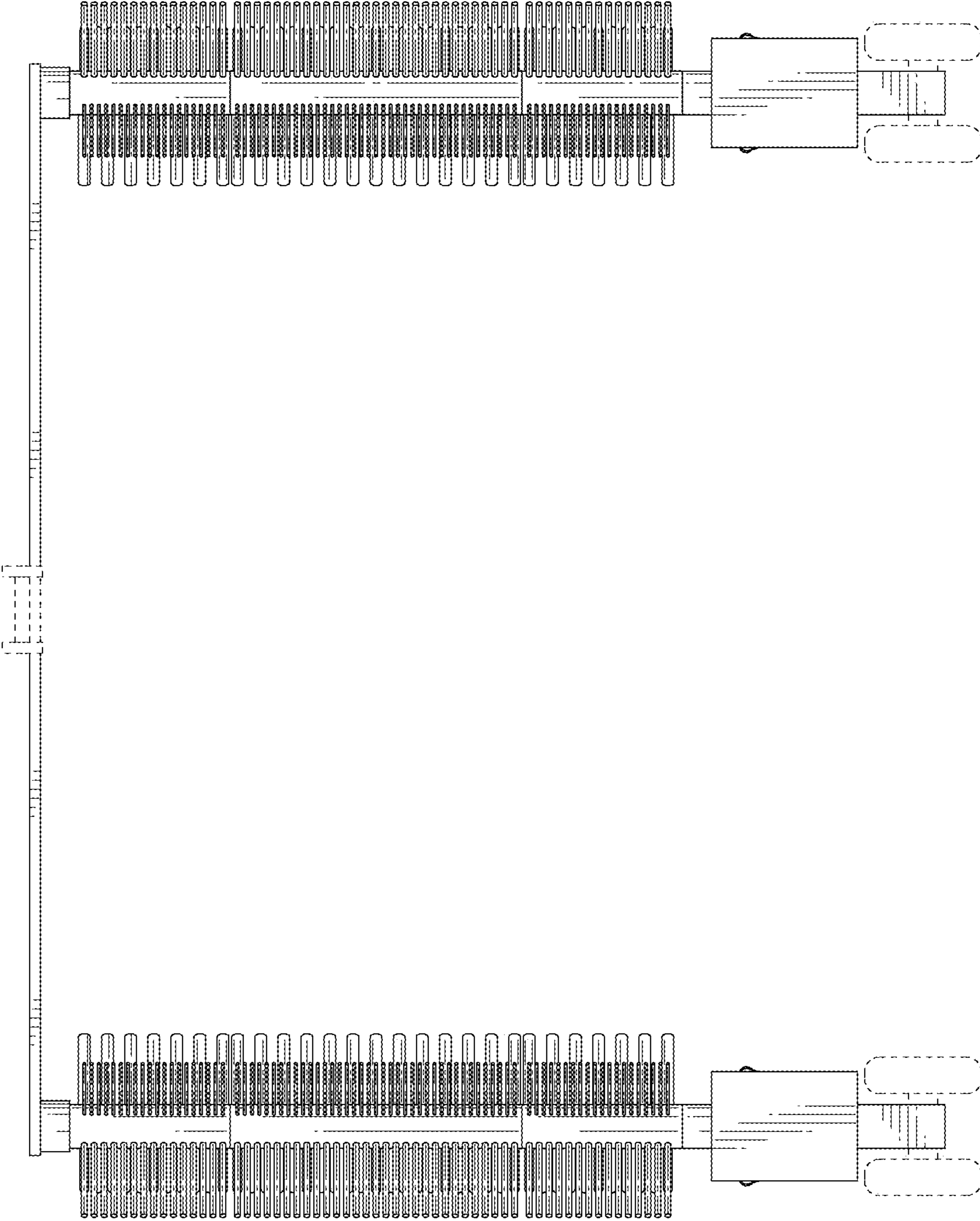


FIG. 5

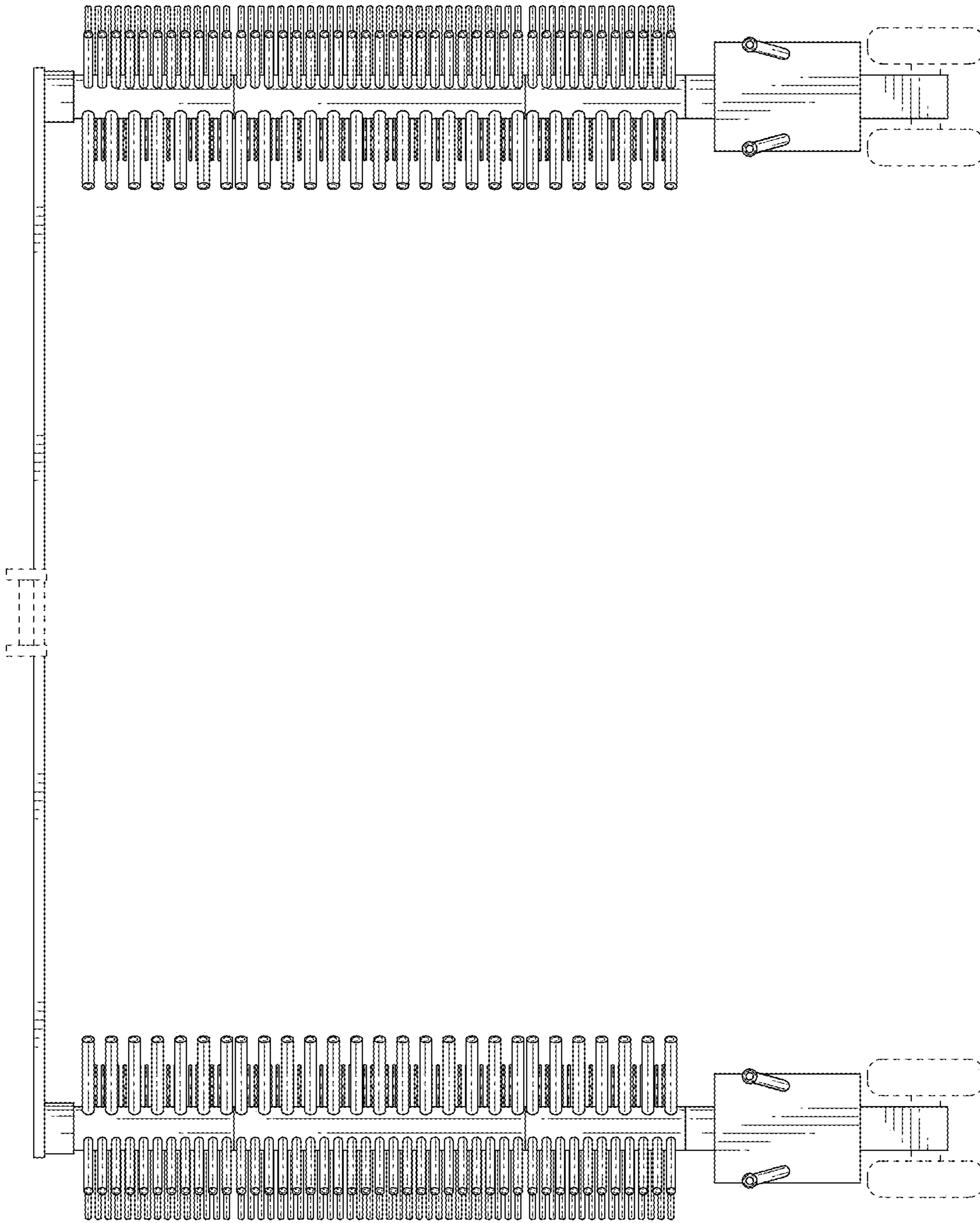


FIG. 6



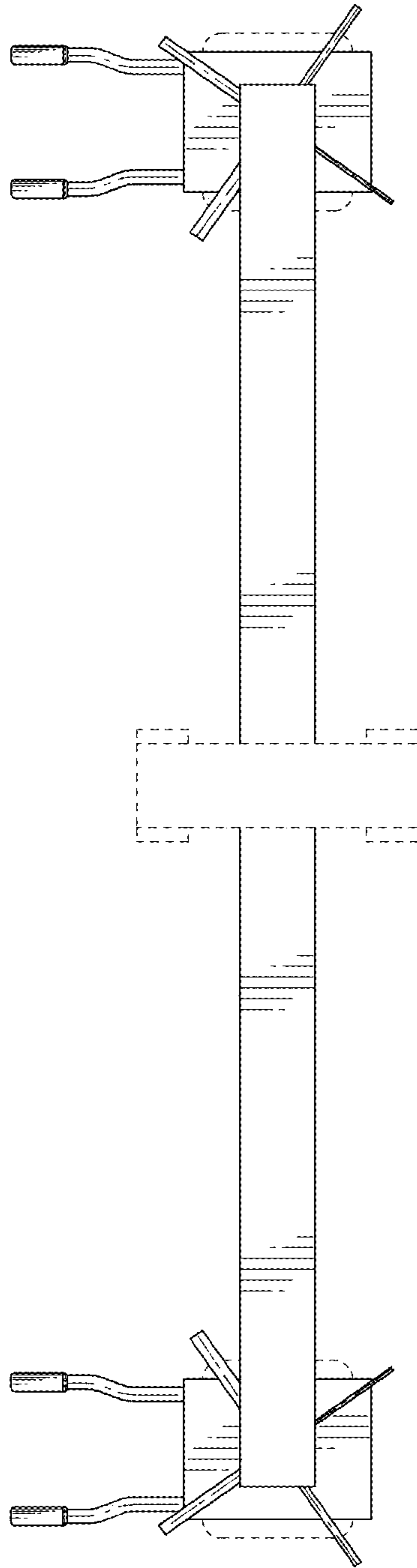


FIG. 7

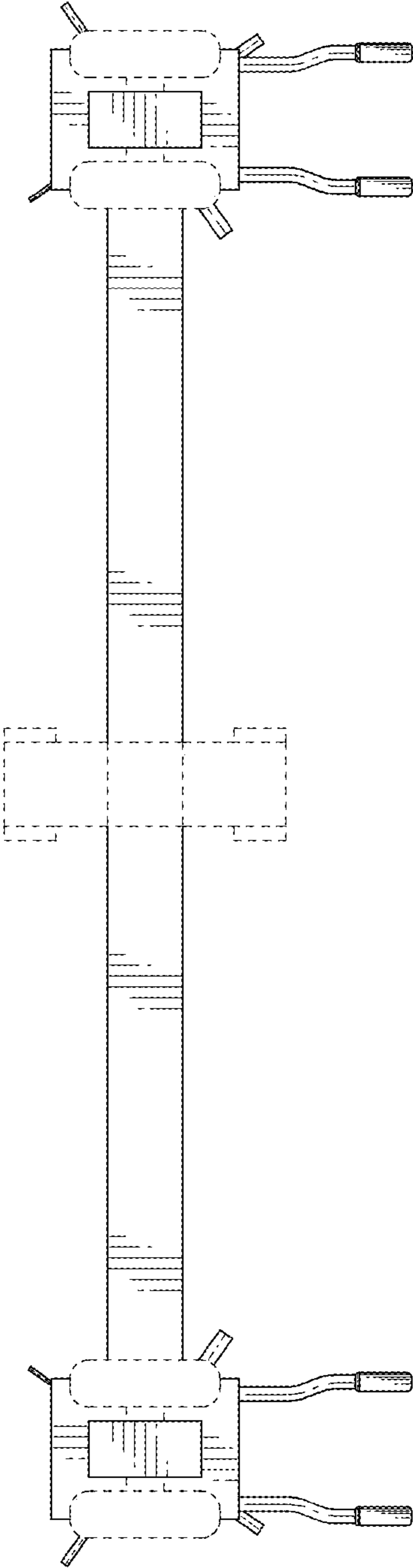


FIG. 8

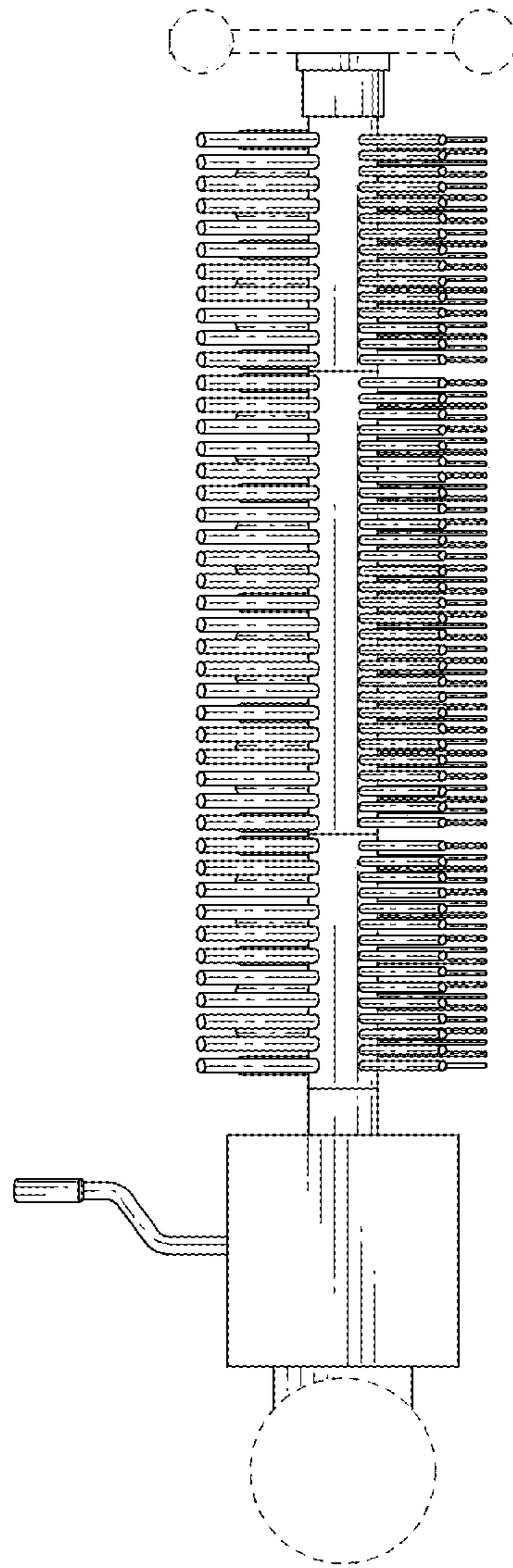


FIG. 9

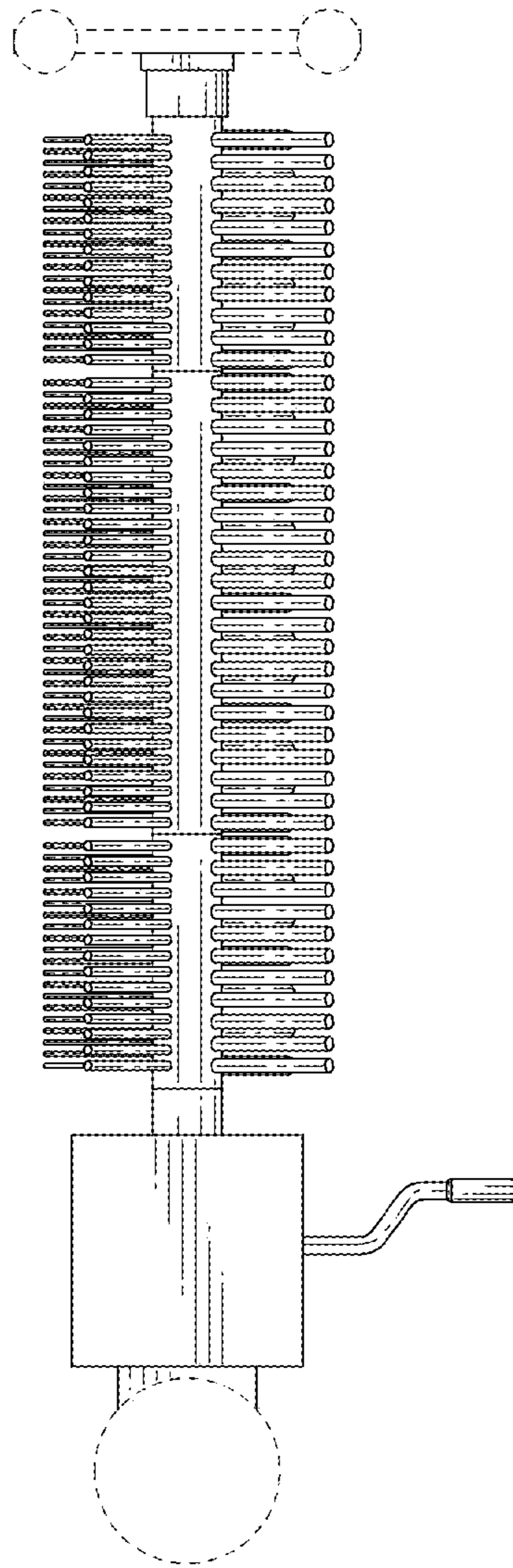


FIG. 10