



US00D956420S

(12) **United States Design Patent** (10) **Patent No.:** **US D956,420 S**
Song (45) **Date of Patent:** **** Jul. 5, 2022**

(54) **STORAGE BOX**

(71) Applicant: **All Star Houseware Ltd.**, Shanghai (CN)

(72) Inventor: **Xiaowei Song**, Shanghai (CN)

(73) Assignee: **ALL STAR HOUSEWARE LTD.**, Shanghai (CN)

(**) Term: **15 Years**

(21) Appl. No.: **29/753,067**

(22) Filed: **Sep. 29, 2020**

(30) **Foreign Application Priority Data**

Aug. 18, 2020 (CN) 202030473843.X

(51) **LOC (13) Cl.** **03-01**

(52) **U.S. Cl.**
USPC **D3/294**

(58) **Field of Classification Search**

USPC D3/201, 233, 254, 270, 272, 273, 279,
D3/281, 282, 283, 284, 288, 294, 295,
D3/296, 297, 299, 304, 305, 307, 314
CPC A45C 2007/0004; B65D 5/247; B65D
21/0216

See application file for complete search history.

(56) **References Cited**

U.S. PATENT DOCUMENTS

D208,588 S * 9/1967 Hanson B25H 3/02
D3/272
D437,706 S * 2/2001 Alcala D6/671
6,732,858 B1 * 5/2004 Chang Ou A47B 87/0276
206/278
8,251,250 B1 * 8/2012 Simmons B25H 3/02
220/810
9,956,682 B1 * 5/2018 Simmons B25H 3/02

OTHER PUBLICATIONS

Homde Reinforced Shoe Boxes, announced Aug. 14, 2019, (online), [site visited Dec. 6, 2021], Available online, URL: <https://www.amazon.com/Homde-Stackable-Storage-Drawer-X-Large/dp/B07WJZJFKN> (Year: 2019).*

* cited by examiner

Primary Examiner — Kevin K Rudzinski

Assistant Examiner — Amber J Rabie

(74) *Attorney, Agent, or Firm* — Matthias Scholl P.C.; Matthias Scholl

(57) **CLAIM**

The ornamental design for a storage box, as shown and described.

DESCRIPTION

FIG. 1 is a front elevation view of a storage box;

FIG. 2 is a rear elevation view thereof;

FIG. 3 is a left-side elevation view thereof;

FIG. 4 is a right-side elevation view thereof;

FIG. 5 is a top plan view thereof;

FIG. 6 is a bottom plan view thereof;

FIG. 7 is a perspective view thereof;

FIG. 8 is an open state view thereof; and,

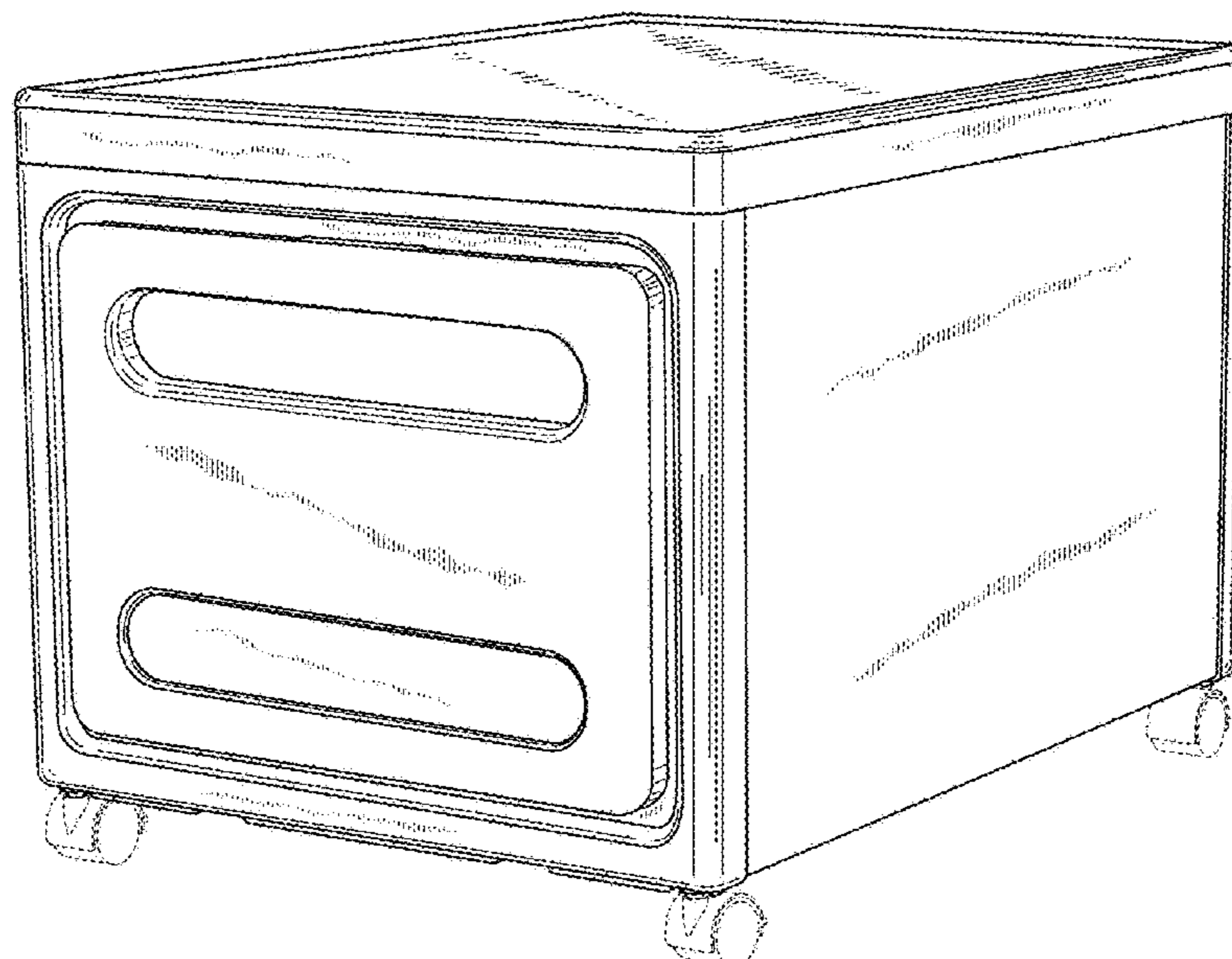
FIG. 9 is a use state view thereof.

The broken lines in FIG. 7 illustrating wheels of the storage box represent the environment of the claimed design and form no part of the claimed design.

The broken lines in FIG. 8 illustrating interior features represent unclaimed portions of the storage box and form no part of the claimed design.

The broken lines in FIG. 9 illustrating additional storage boxes represent the environment of the claimed design and form no part of the claimed design.

1 Claim, 9 Drawing Sheets



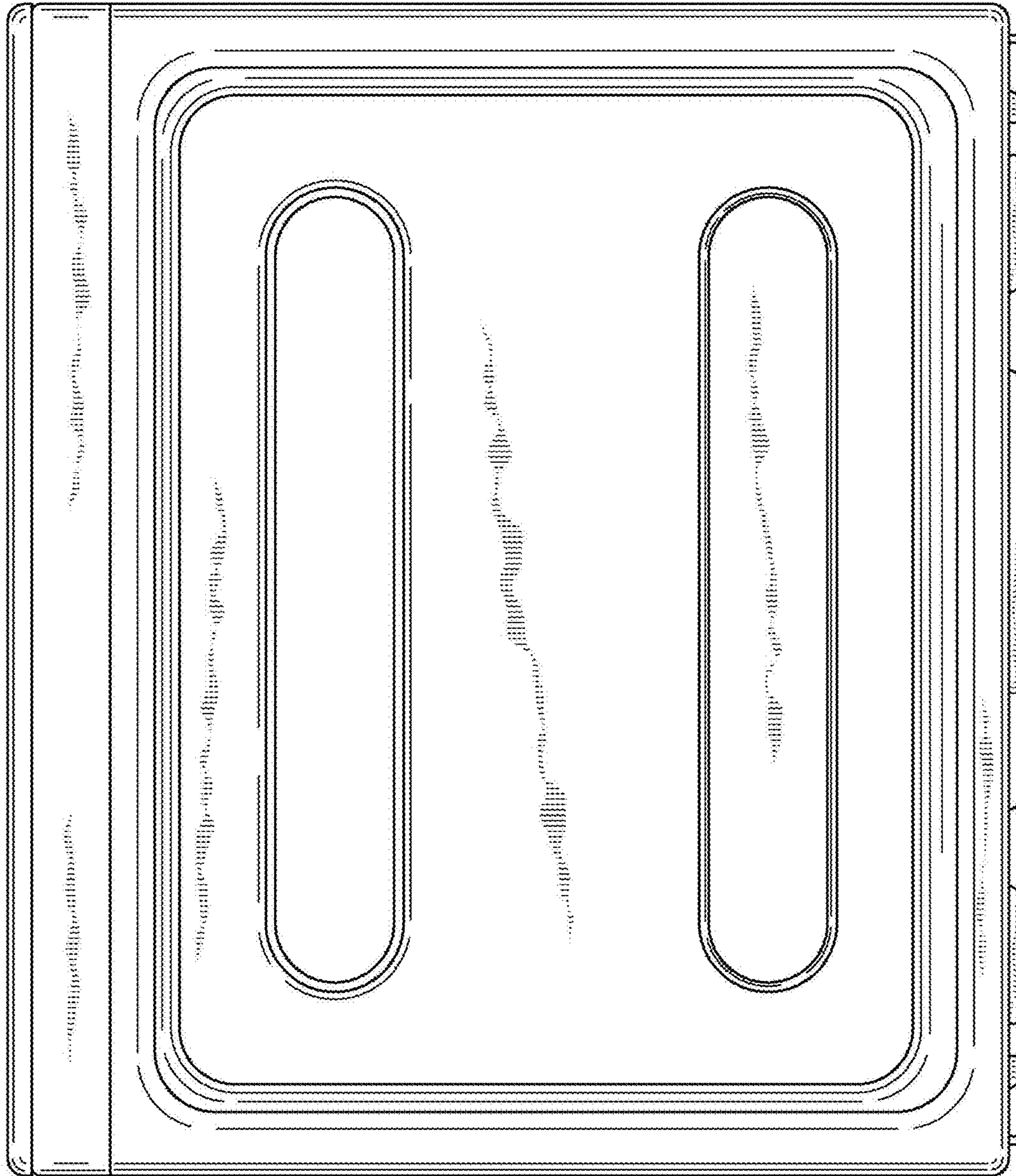


FIG. 1

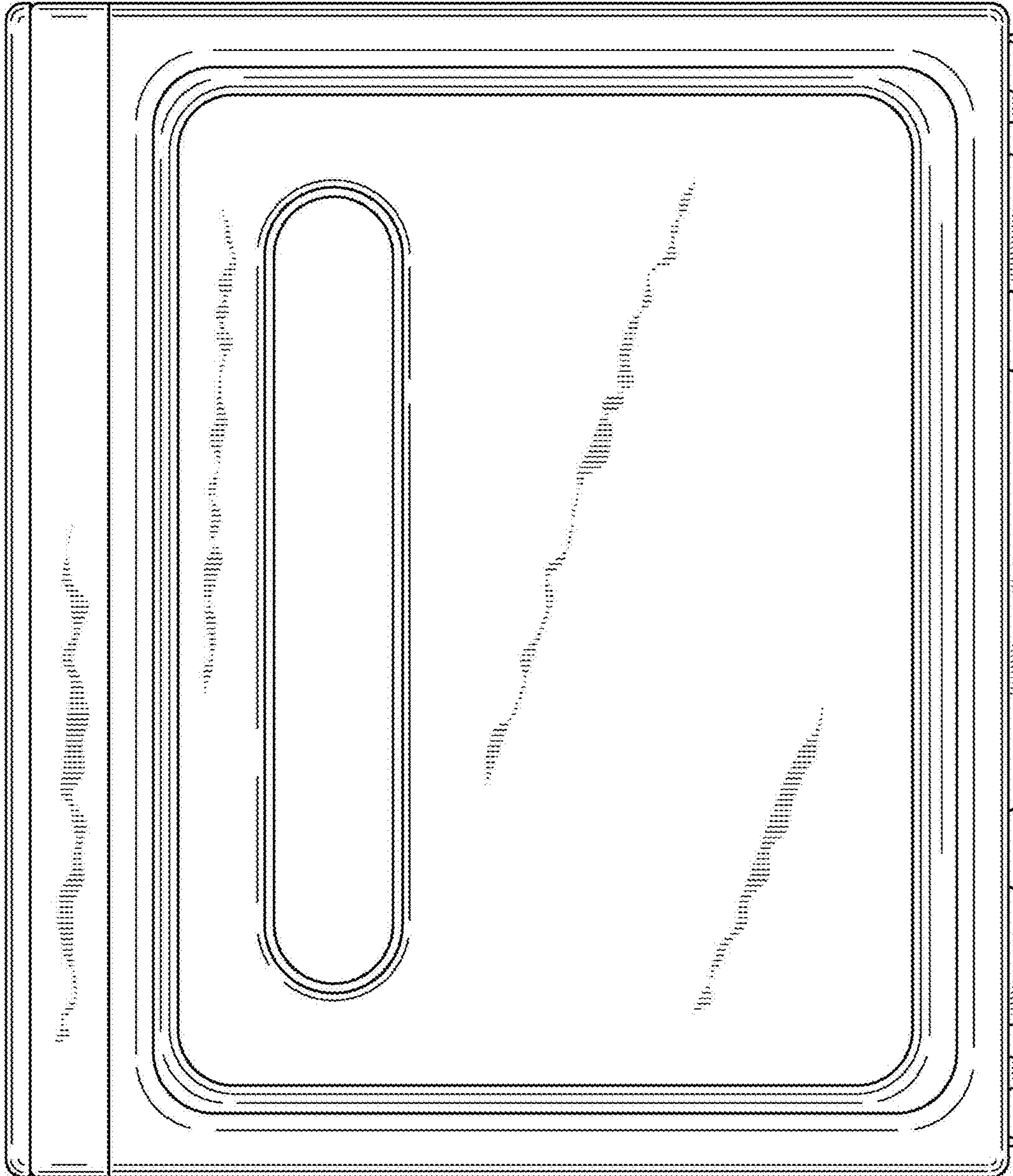


FIG. 2

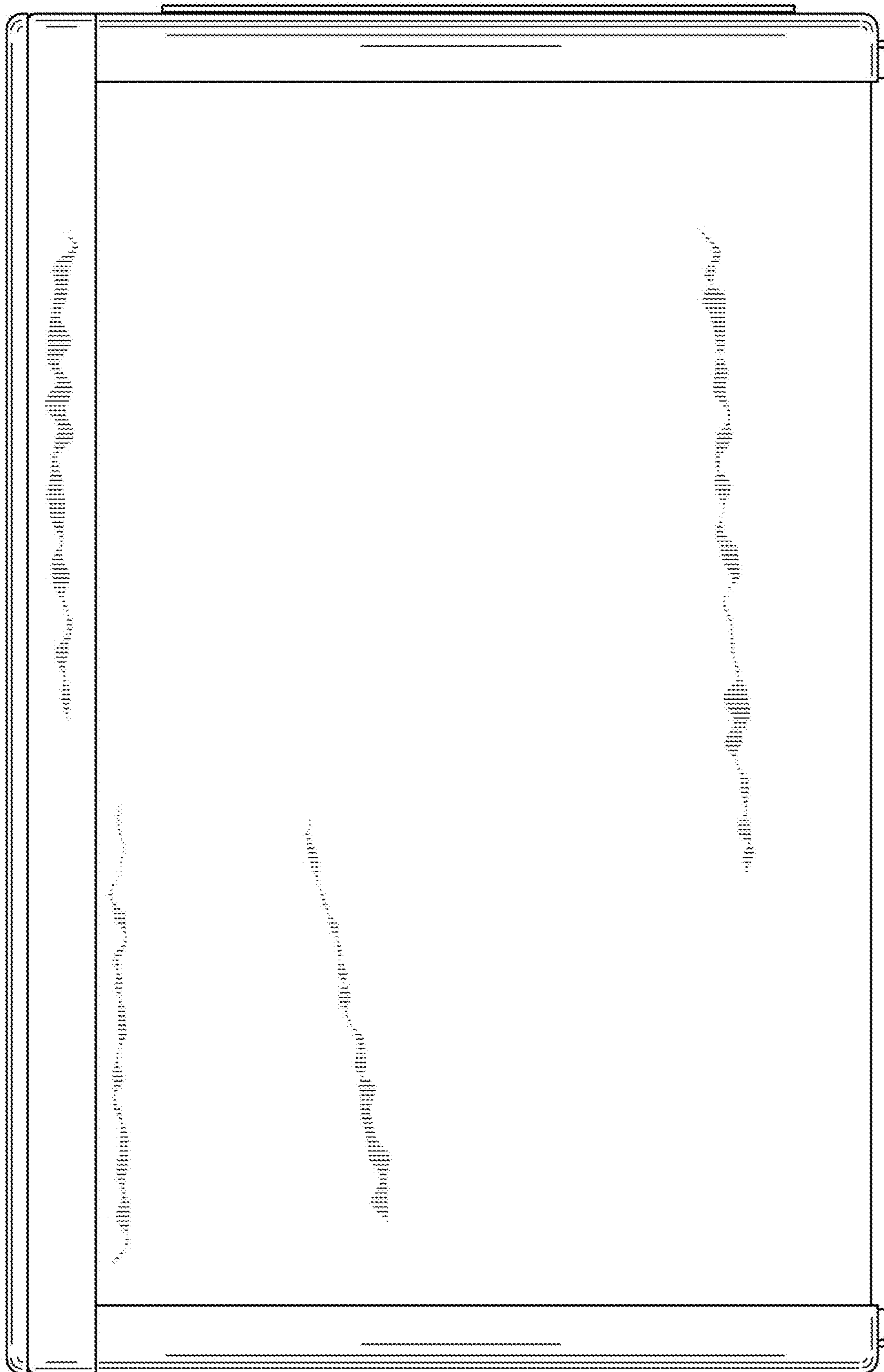


FIG. 3

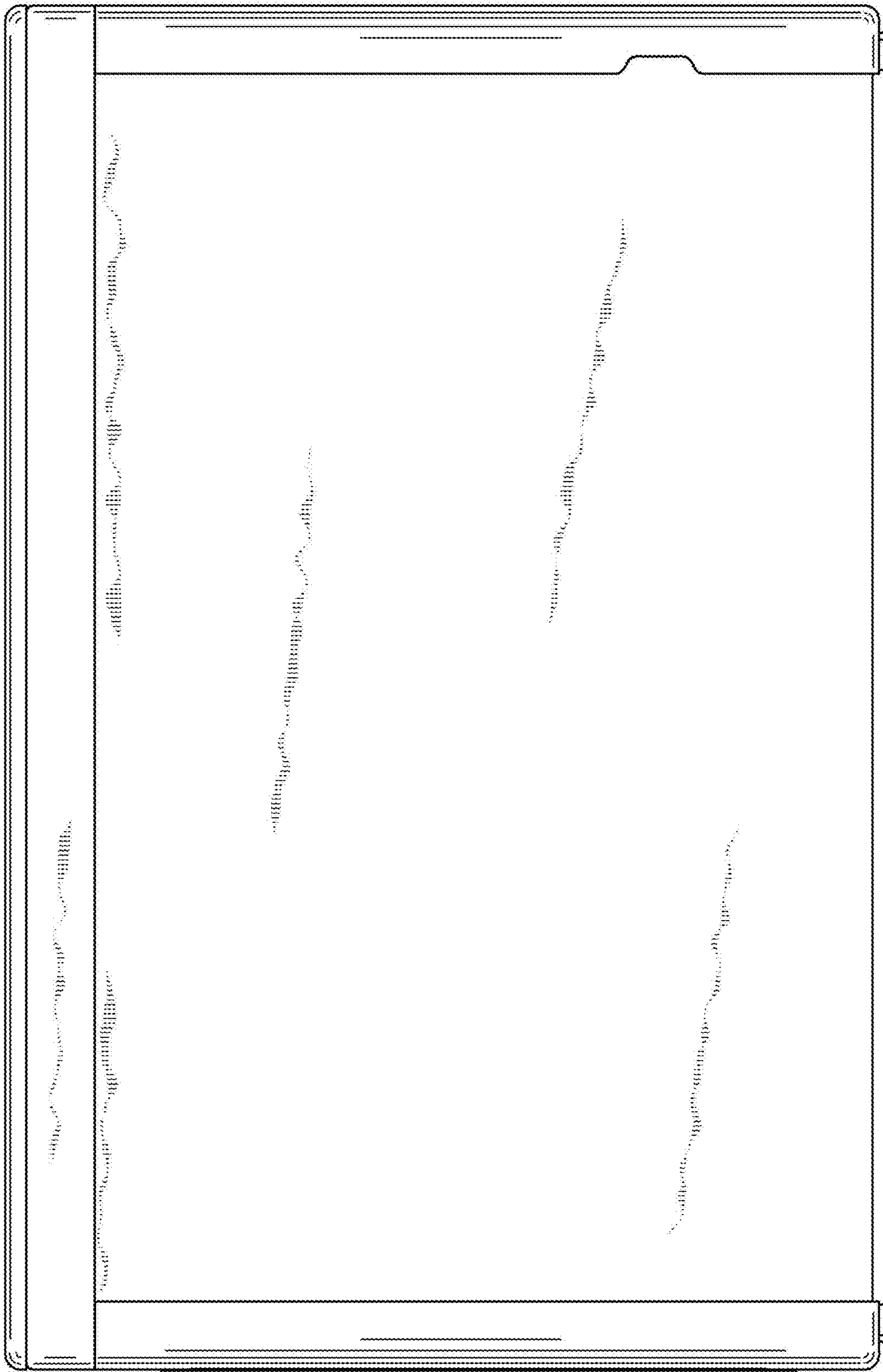


FIG. 4

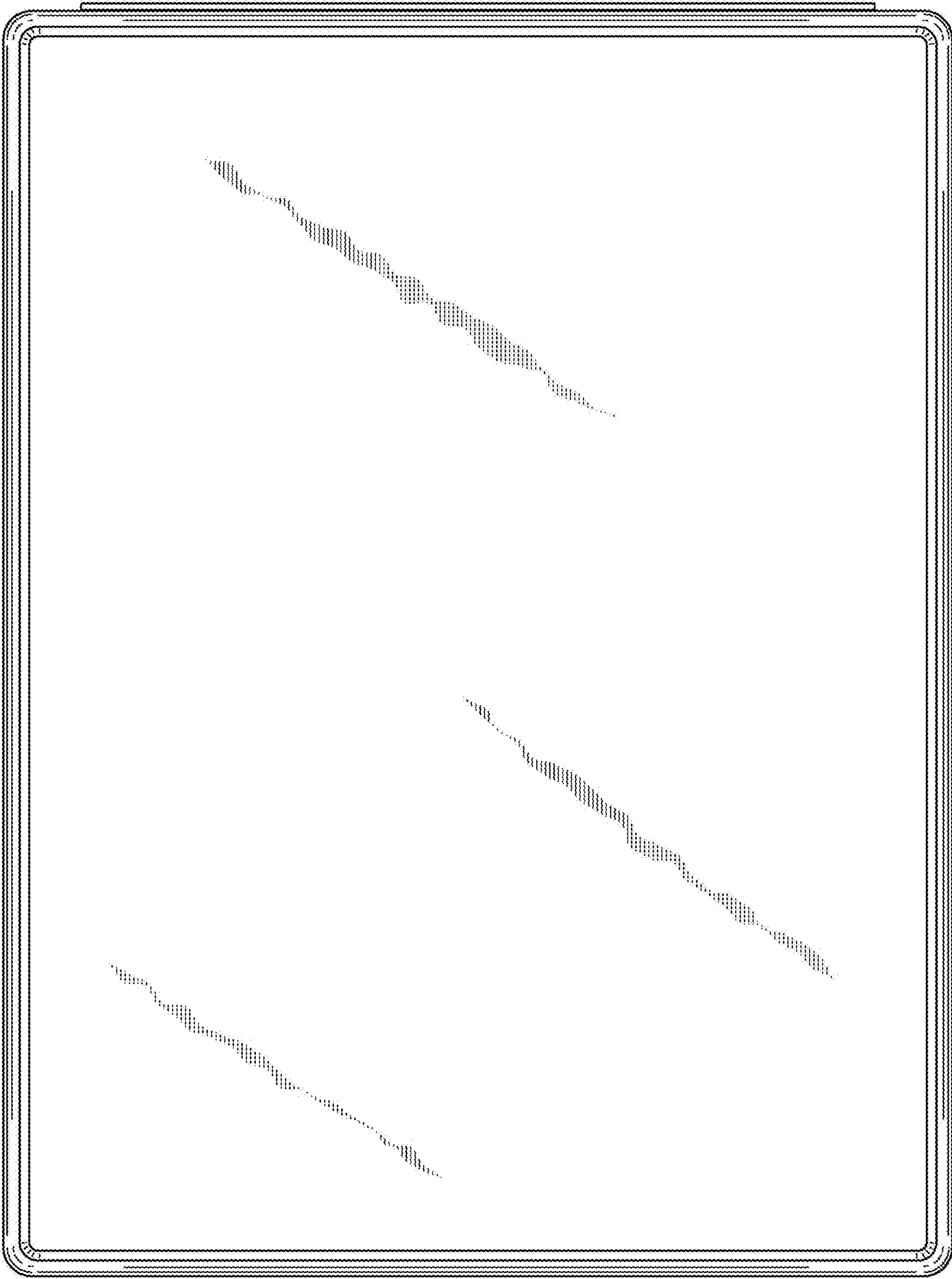


FIG. 5

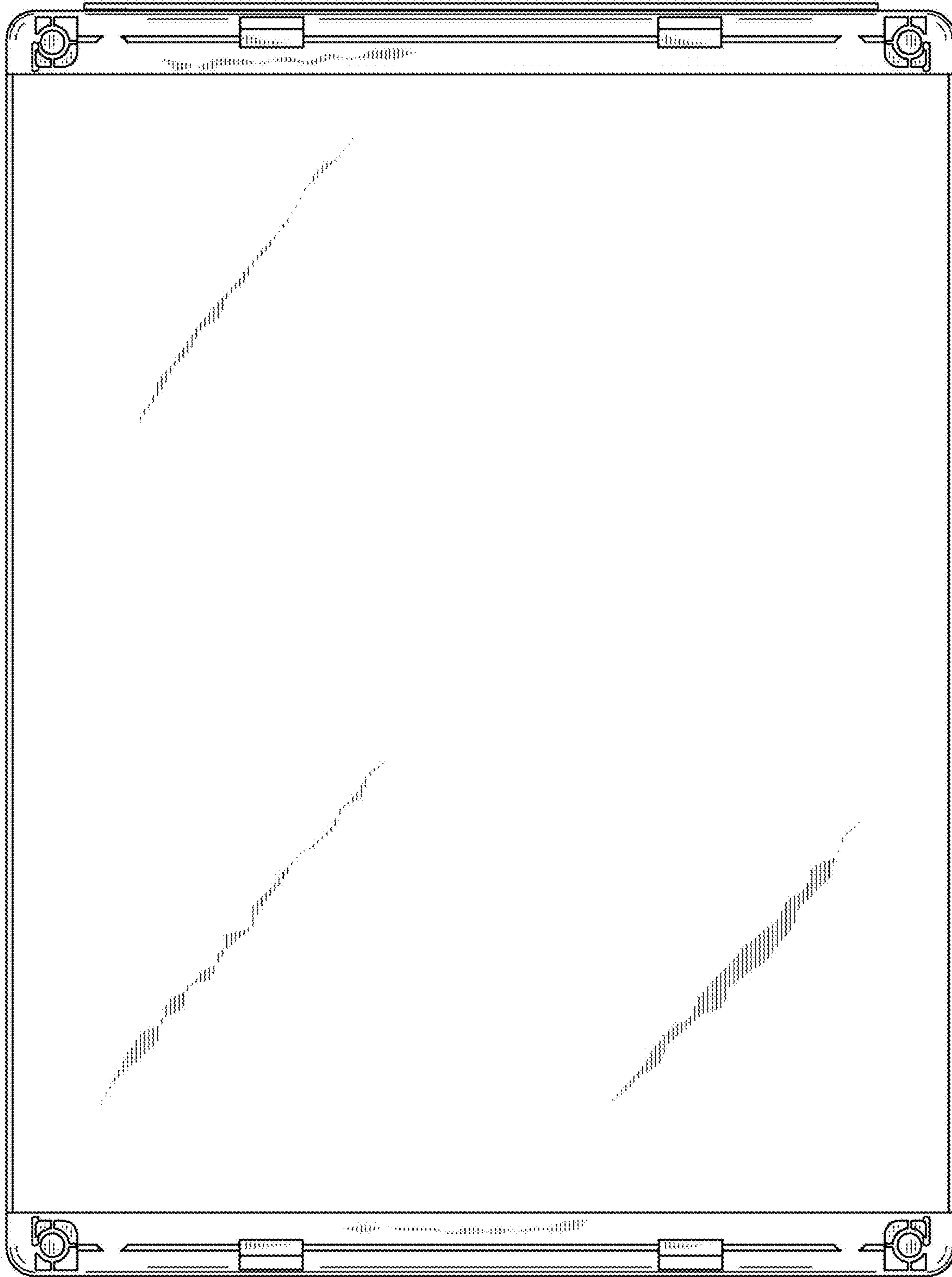


FIG. 6

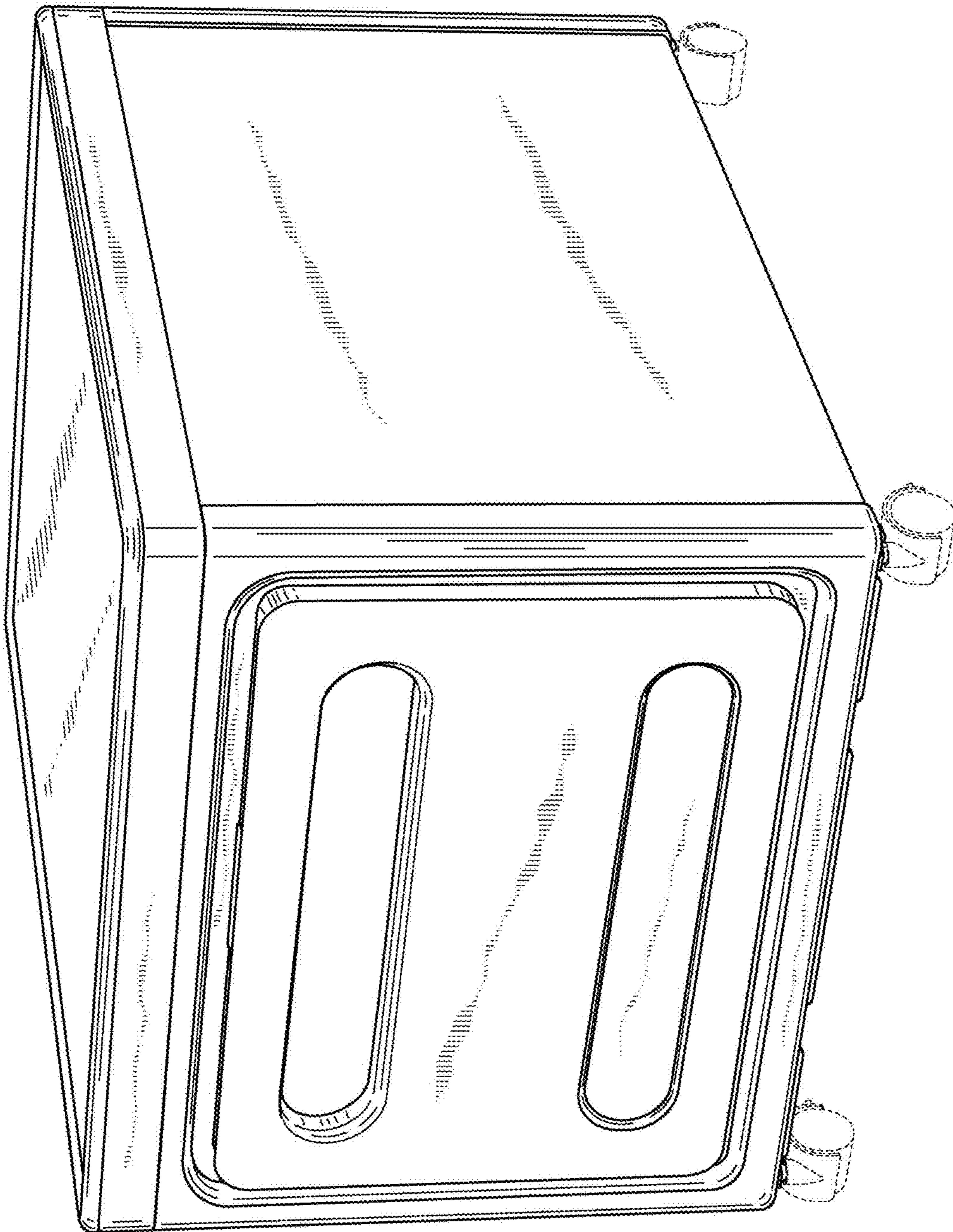


FIG. 7

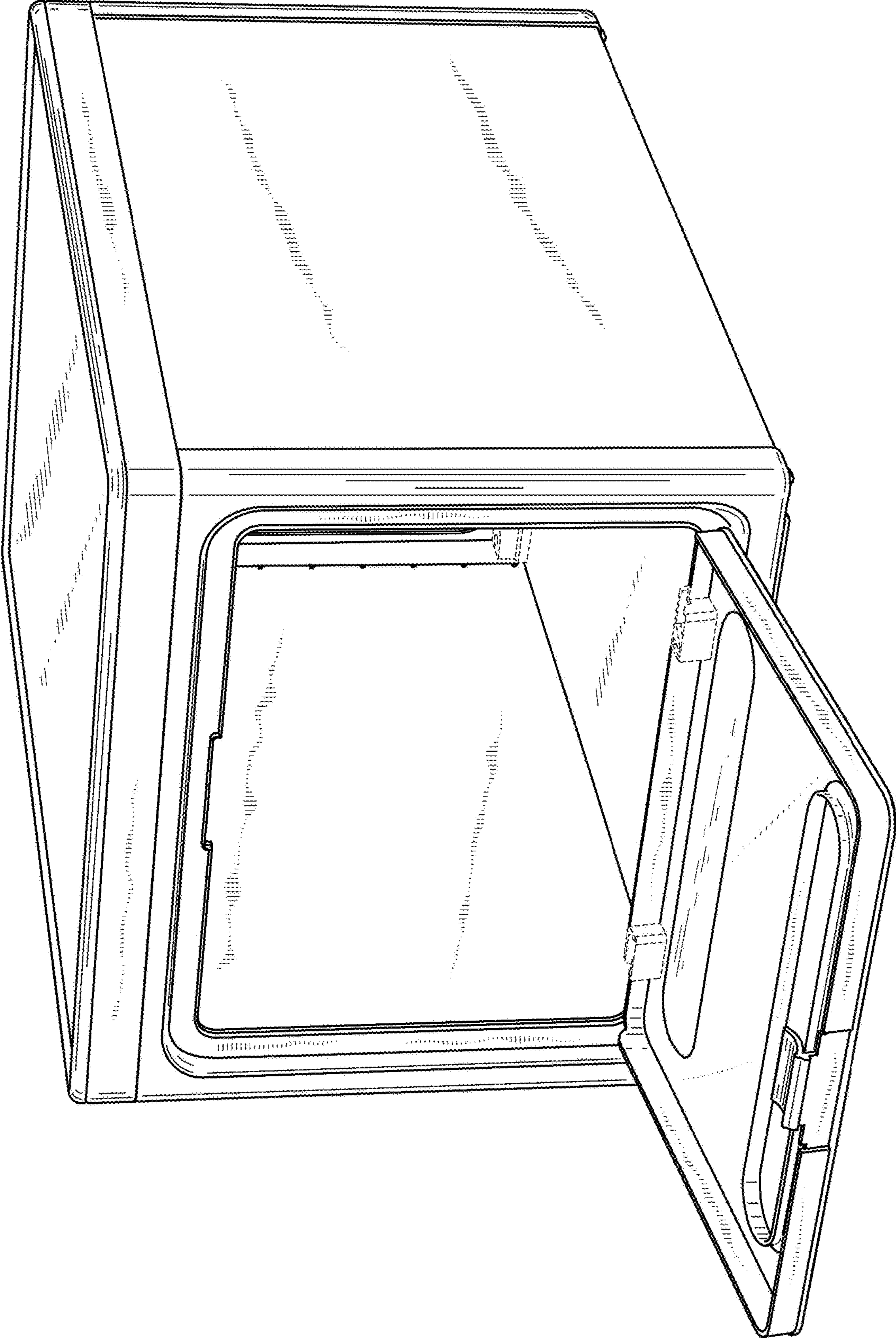


FIG. 8

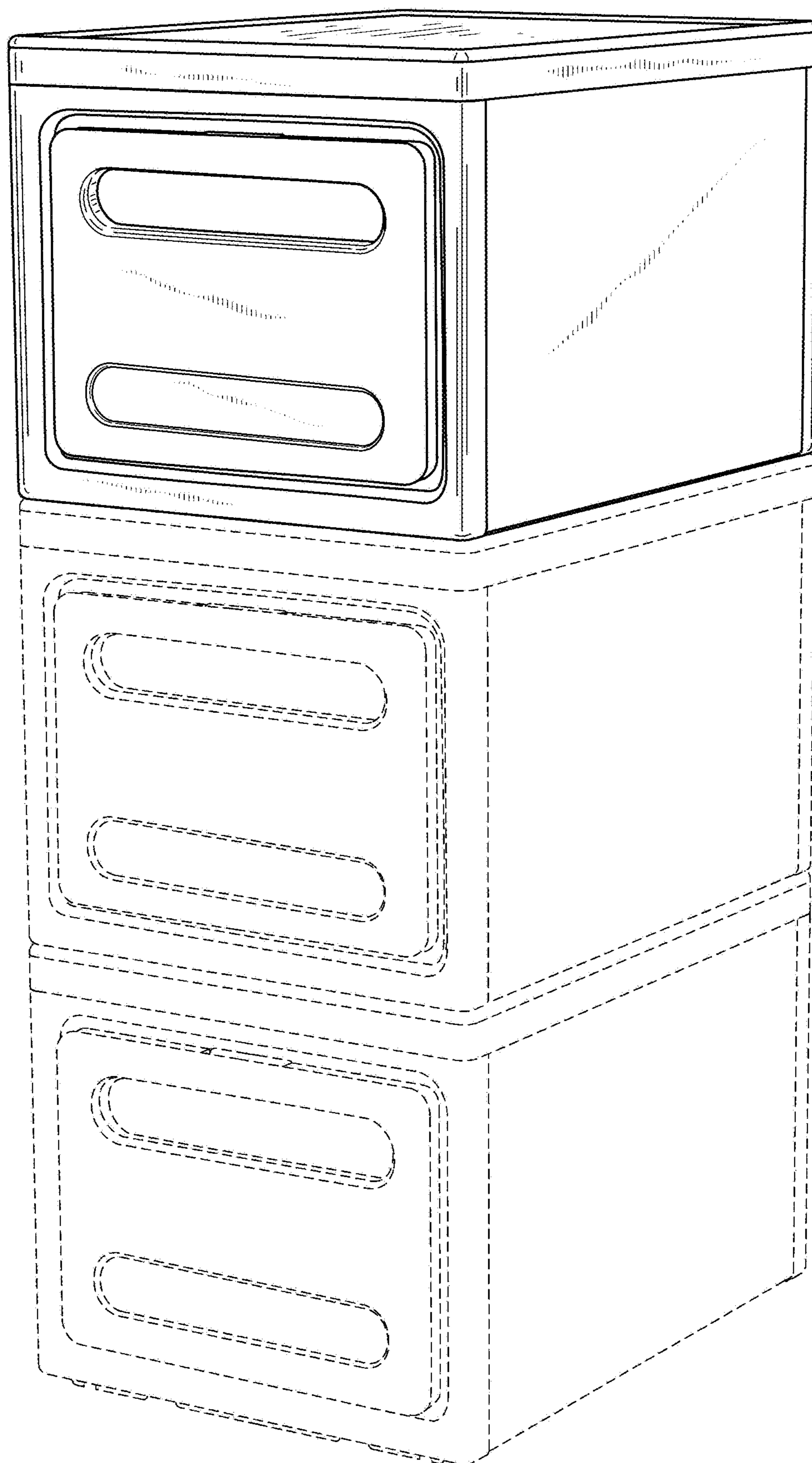


FIG. 9