



US00D956419S

(12) **United States Design Patent** (10) **Patent No.:** **US D956,419 S**
Barlier (45) **Date of Patent:** **** Jul. 5, 2022**

- (54) **BAG**
- (71) Applicant: **KEEPCOOL USA, LLC**, Lafayette, CA (US)
- (72) Inventor: **Pierre Barlier**, Lafayette, CA (US)
- (73) Assignee: **KeepCool USA LLC**, Orinda, CA (US)
- (**) Term: **15 Years**
- (21) Appl. No.: **29/797,491**
- (22) Filed: **Jun. 30, 2021**

D603,606 S 11/2009 Wang
 D630,844 S 1/2011 Wang et al.
 D695,568 S 12/2013 Hayes
 (Continued)

FOREIGN PATENT DOCUMENTS

KR 301032989.0000 11/2019

OTHER PUBLICATIONS

NWT Shopping Cooler Grey Insulated LeSac KeepCool, unknown first available date, poshmark.com [online], [site visited Jan. 25, 2022], Available at URL: <https://poshmark.com/listing/NWT-Shopping-Cooler-Grey-Insulated-LeSac-KeepCool-5f5c50f043895f42e3dedaa6> (Year: 2022).*

(Continued)

Primary Examiner — Michelle E. Wilson
Assistant Examiner — Caitlin A Laverty
 (74) *Attorney, Agent, or Firm* — Buchalter; Philip Nulud

Related U.S. Application Data

- (63) Continuation of application No. 29/715,814, filed on Dec. 4, 2019, now Pat. No. Des. 926,469.
- (51) **LOC (13) Cl.** **03-01**
- (52) **U.S. Cl.**
USPC **D3/283**
- (58) **Field of Classification Search**
USPC D3/203.1, 203.5–203.8, 215, 226–228, D3/230, 232, 245–247, 273, 276, D3/283–291, 299, 301, 303, 294; D7/602, 605, 607, 619.1
CPC A45C 1/024; A45C 3/001; A45C 3/06; A45C 11/00; A45C 13/002; A45C 2013/026
See application file for complete search history.

CLAIM

(57) The ornamental design for a bag, as shown and described.

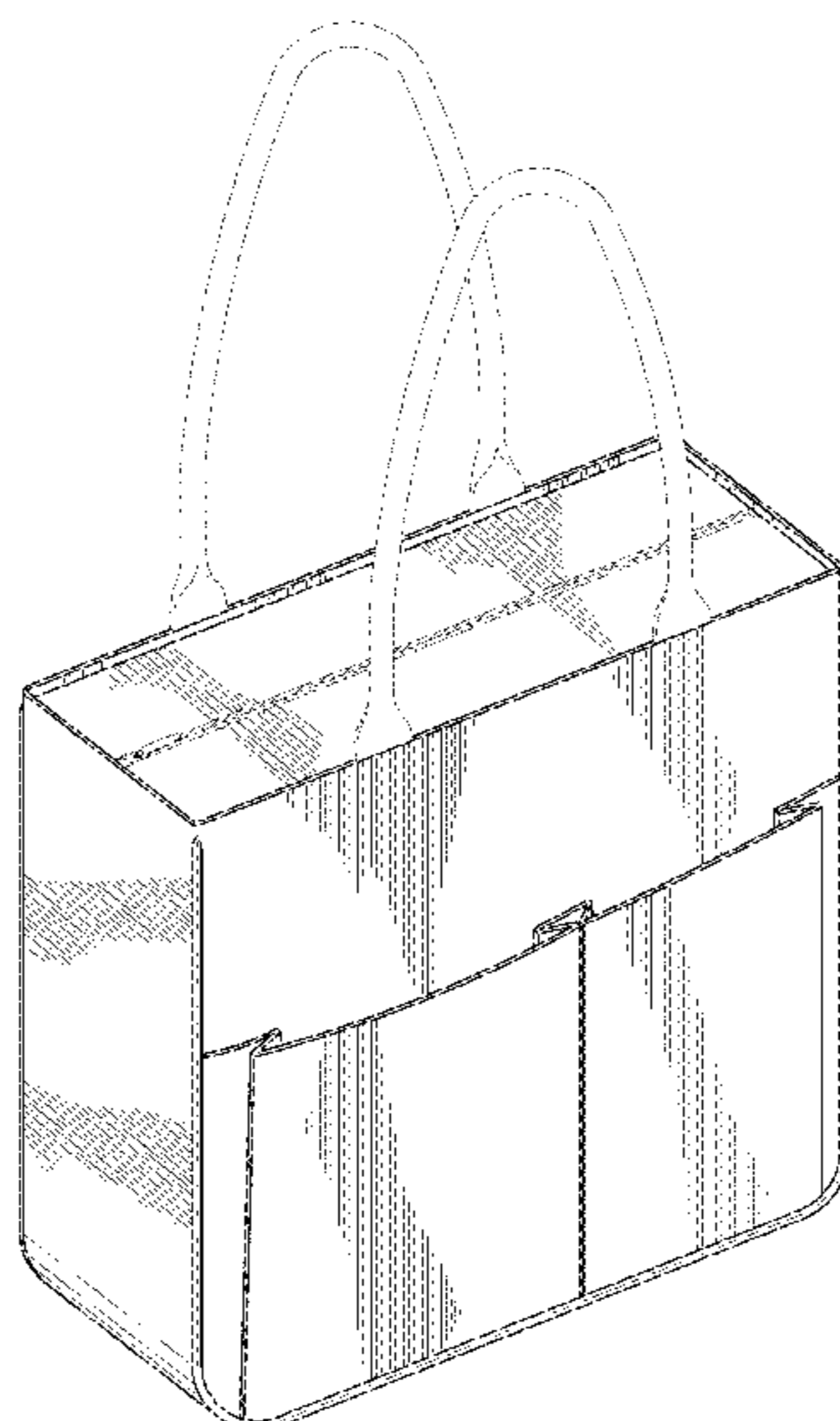
DESCRIPTION

FIG. 1 is a Top, Left and Front perspective view with the top of the front pocket pulled slightly away from the front surface of the bag;
 FIG. 2 is a Front elevation view with the top of the front pocket pressed against the front surface of the bag;
 FIG. 3 is a Rear elevation view;
 FIG. 4 is a Right side elevation view;
 FIG. 5 is a Left side elevation view;
 FIG. 6 is a Top plan view; and,
 FIG. 7 is a Bottom plan view.
 The broken line showing the zipper across the top and the handles is included for the purpose of illustrating portions of the article and forms no part of the claimed design.

1 Claim, 5 Drawing Sheets

(56) **References Cited**
U.S. PATENT DOCUMENTS

5,813,445 A	9/1998	Christman	
D416,677 S	11/1999	Christman	
D491,363 S	6/2004	Renz et al.	
D548,459 S	8/2007	Harvey	
D580,162 S	11/2008	Crook	
D582,671 S	* 12/2008	Harvey	D3/245
D587,010 S	* 2/2009	Deck	D3/246
D596,396 S	* 7/2009	McCoy	D3/232
D600,909 S	9/2009	Crook	



(56)

References Cited

U.S. PATENT DOCUMENTS

D720,925	S	1/2015	Jones	
D763,570	S	8/2016	Potts	
D764,791	S *	8/2016	Patel	D3/232
D780,524	S	3/2017	Jacobsen	
D827,299	S *	9/2018	Vickery	D3/246
D831,957	S	10/2018	Carter et al.	
D831,959	S	10/2018	Hollinger	
D845,625	S	4/2019	Barlier	
D845,628	S *	4/2019	Hollinger	D3/318
10,376,030	B1	8/2019	Koh	
D861,335	S	10/2019	Barlier	
D889,992	S	7/2020	Rubio et al.	
D909,211	S *	2/2021	Bornmiller	D9/703
D925,222	S *	7/2021	Barlier	D3/289
D926,469	S	8/2021	Barlier	
2007/0274613	A1	11/2007	Pruchnicki et al.	

OTHER PUBLICATIONS

“Gecko 2 Compartment Cooler Tote,” diversdirect.com [online], [site visited Dec. 30, 2020], Retrieved from Internet: <https://www.diversdirect.com/p/gecko-2-compartment-tote-cooler#additional>, 2020, 4 pages.

“Large Cooler Bag Insulated | Cooler Tote Bag Carrier | 25 Can Capacity Cooler Bags Insulated for Travel with Zipper | Insulated Tote Bags | Insulated Grocery Bag Thermal Beach Market Tote Collapsible”, amazon.com, [site visited Dec. 30, 2020], Retrieved from Internet: <https://www.amazon.com/Insulated-Carrier-Capacity-Grocery-Collapsible/dp/B07Z2H34TQ>, Oct. 12, 2019, 9 pages.

* cited by examiner

FIG. 1

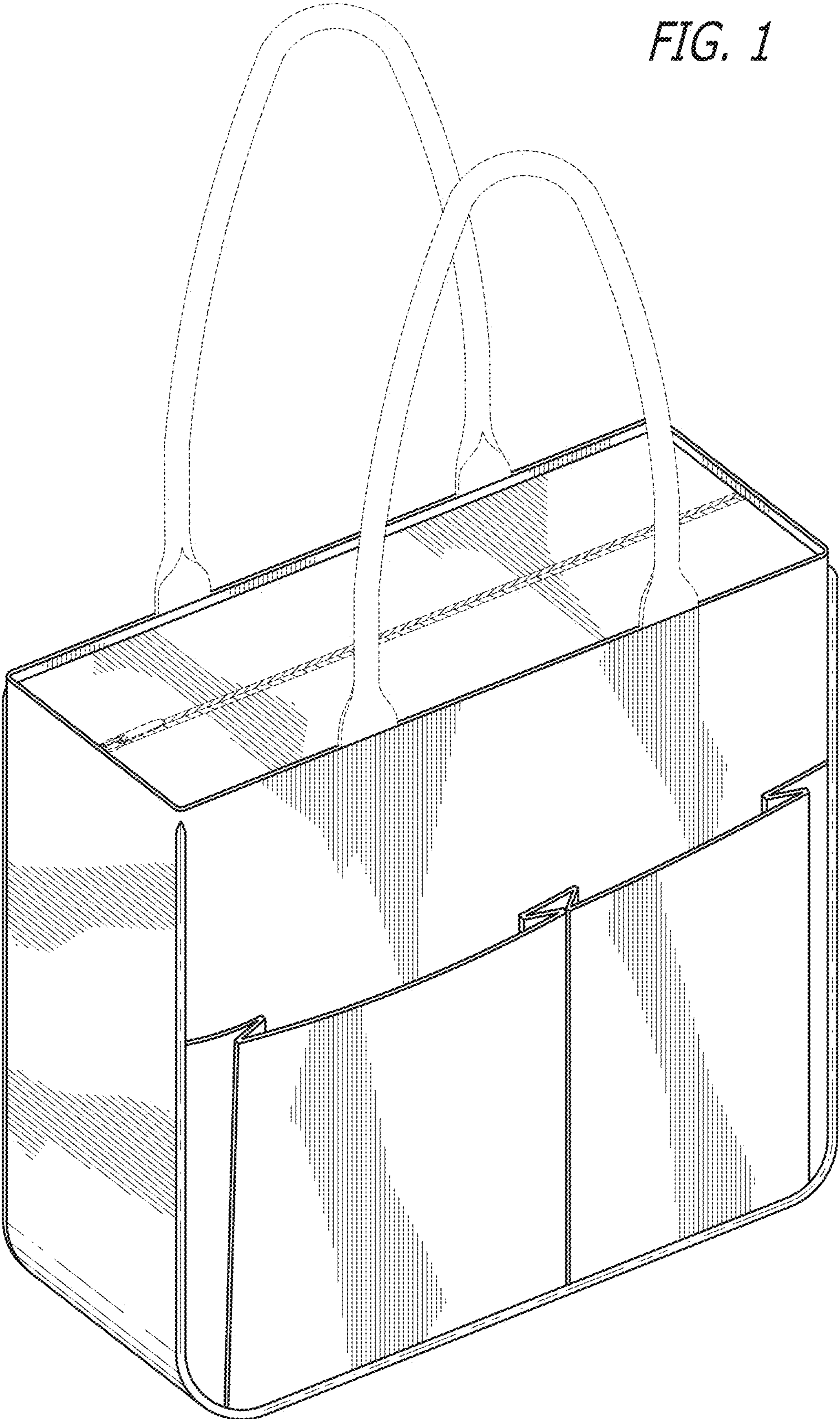


FIG. 2

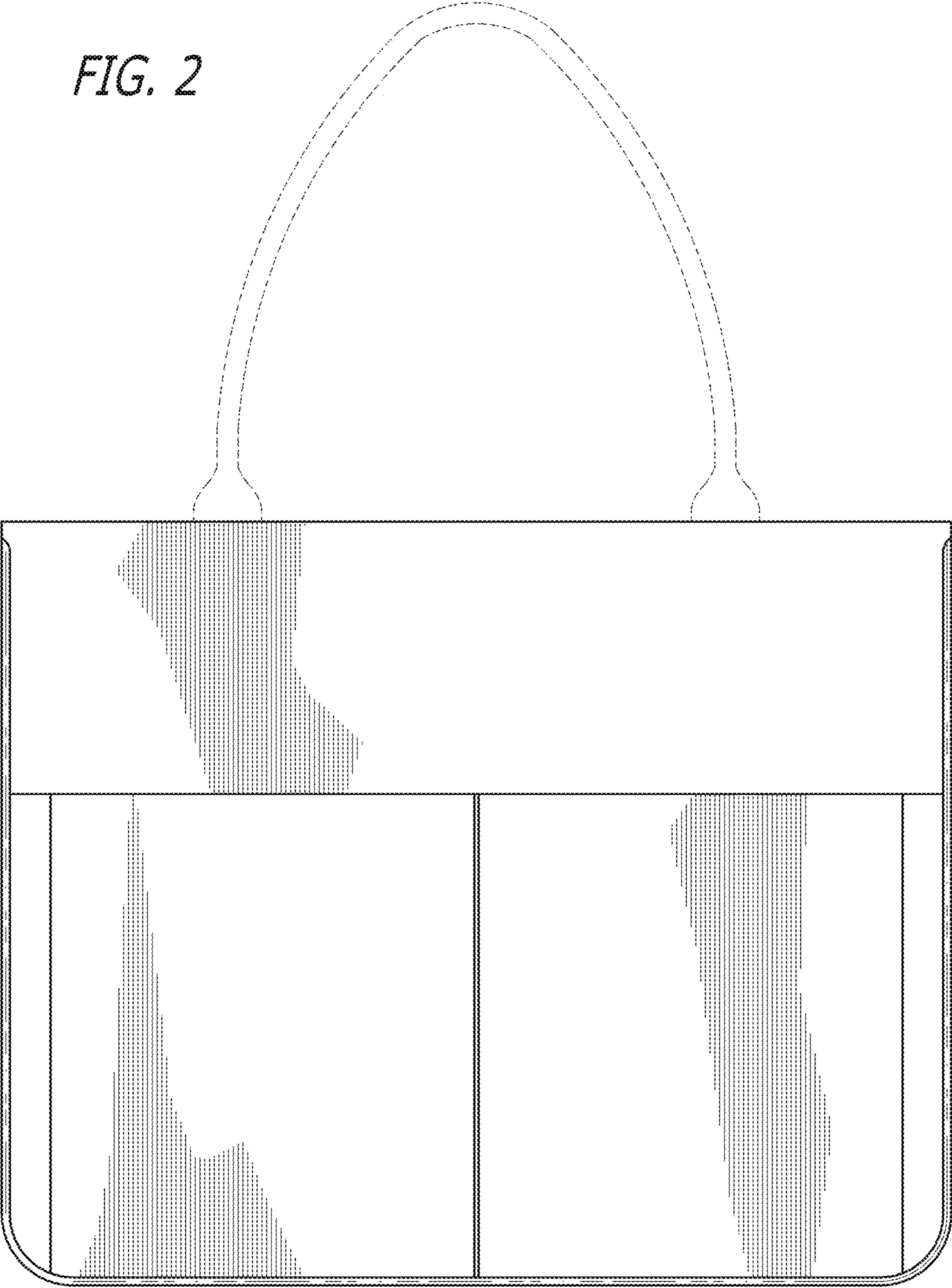


FIG. 3

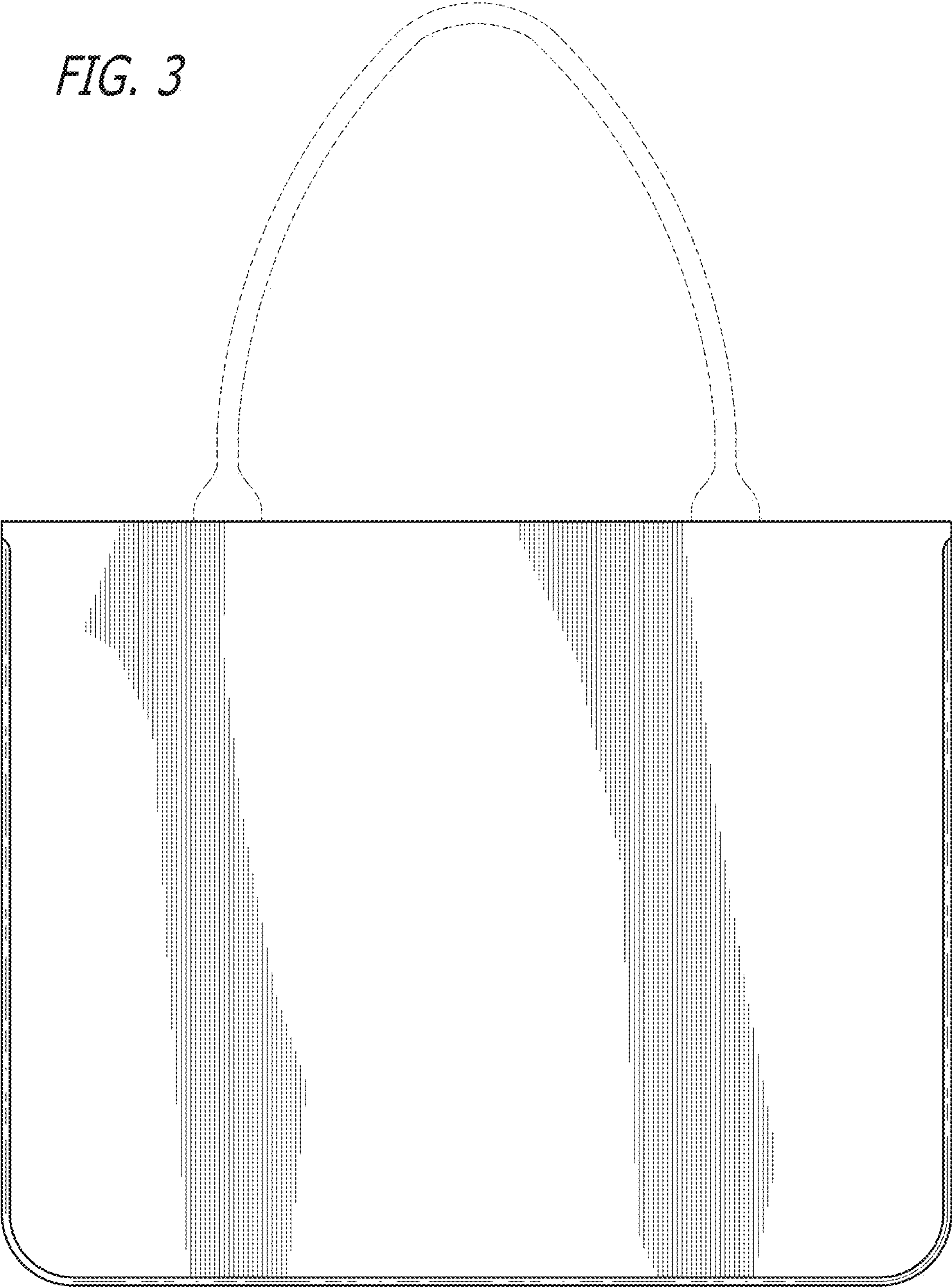


FIG. 4

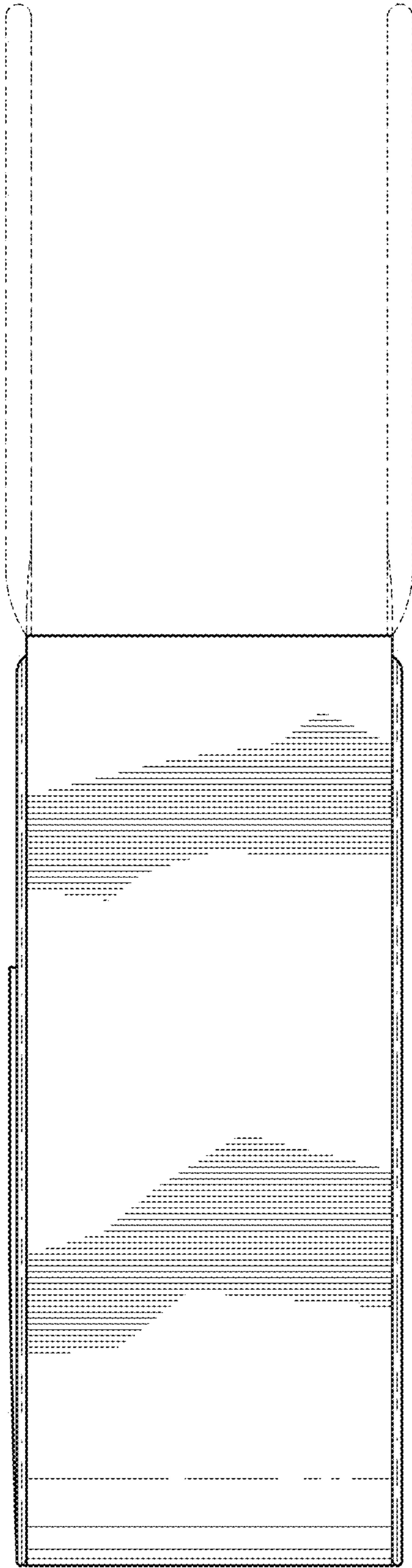
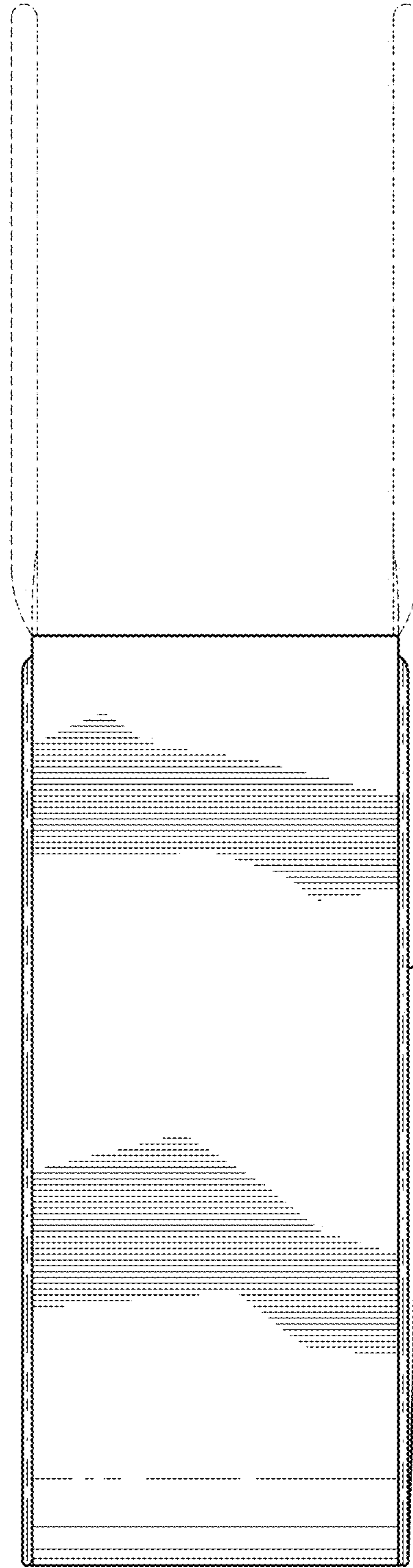


FIG. 5



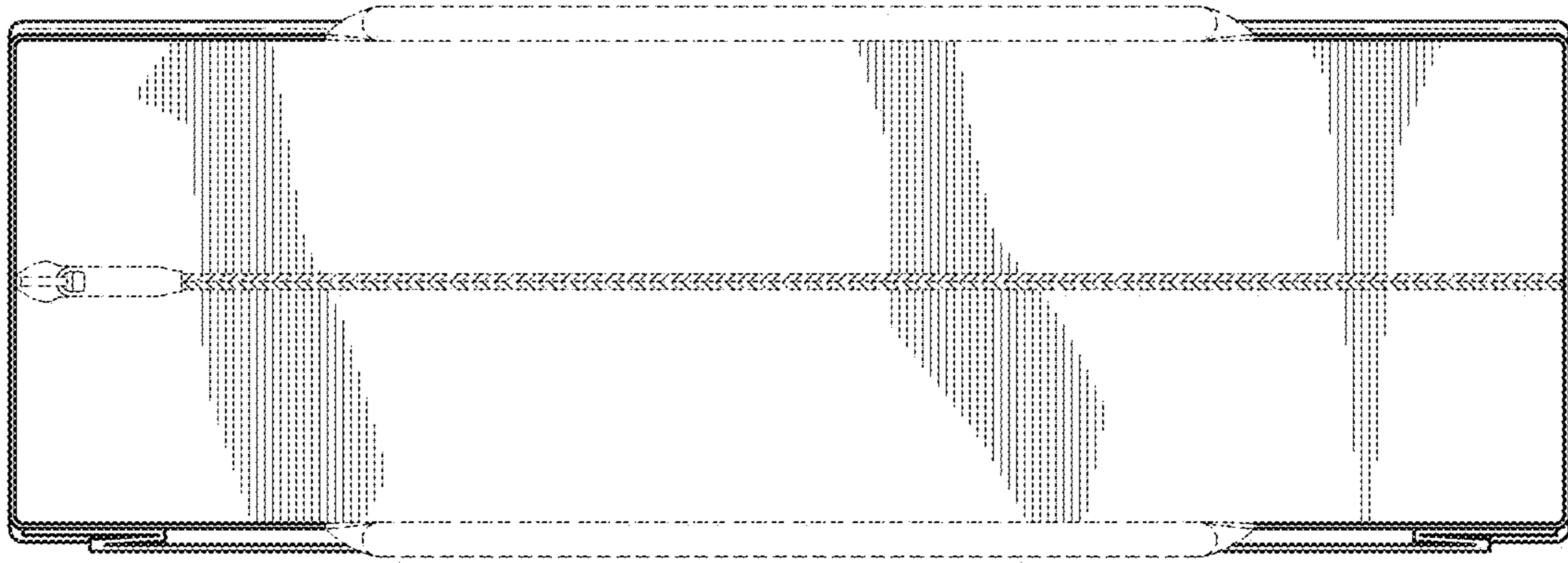


FIG. 6

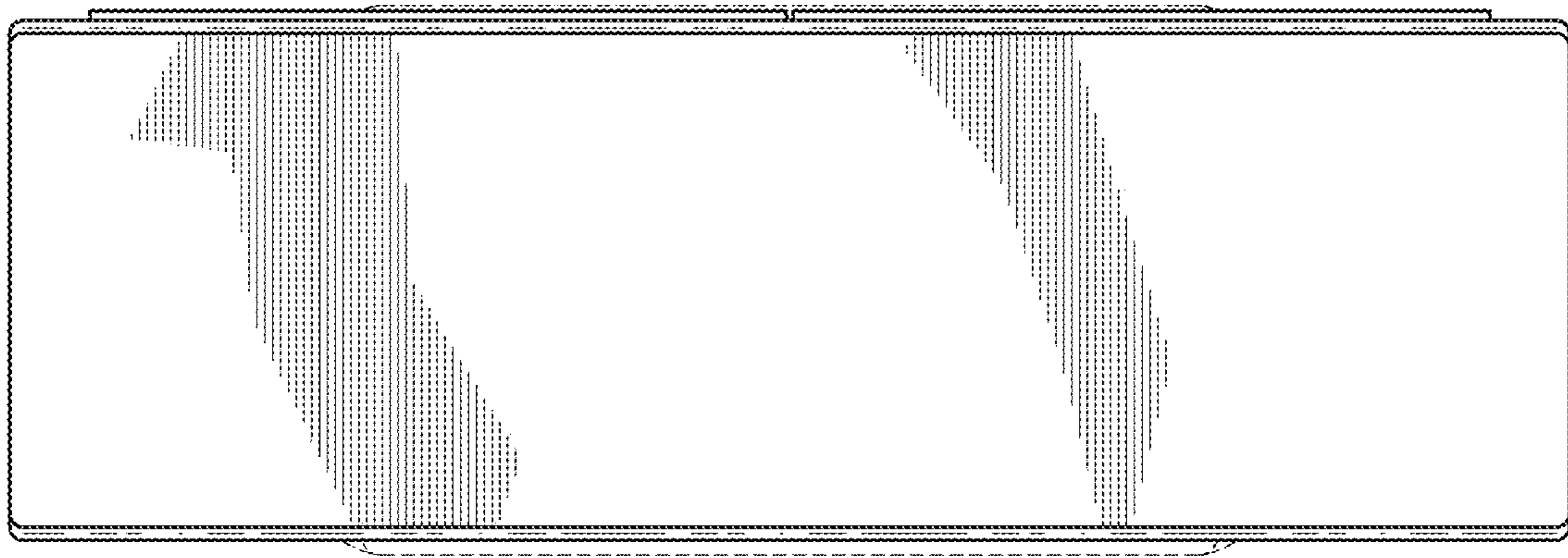


FIG. 7