

US00D956418S

(12) **United States Design Patent** (10) **Patent No.:** **US D956,418 S**
Birger (45) **Date of Patent:** **** Jul. 5, 2022**

(54) **CASE FOR EARPHONES**
(71) Applicant: **GN AUDIO A/S**, Ballerup (DK)
(72) Inventor: **Johan Birger**, Ballerup (DK)
(73) Assignee: **GN AUDIO A/S**, Ballerup (DK)
(**) Term: **15 Years**
(21) Appl. No.: **29/726,444**

D553,077 S 10/2007 Kim et al.
D586,557 S 2/2009 Jalet
7,784,583 B1 8/2010 Hall
(Continued)

FOREIGN PATENT DOCUMENTS

CN 108028975 5/2018
CN 108605177 9/2018
(Continued)

OTHER PUBLICATIONS

Youtube.com, Site visited Nov. 16, 2021, "Tribit X1 True Wireless Earbuds for Under \$50" published by Flossy Carter on Jan. 23, 2019. Stills taken at the 2:17 and 2:19 marks: <https://youtu.be/3wpMtTm5QSw> (Year: 2019).*

(Continued)

Primary Examiner — Brett Miller
Assistant Examiner — Jessica M Gebhart
(74) *Attorney, Agent, or Firm* — Hamre, Schumann, Mueller & Larson, P.C.

(30) **Foreign Application Priority Data**

Sep. 4, 2019 (EM) 001474126-0001

(51) **LOC (13) Cl.** **03-01**
(52) **U.S. Cl.**
USPC **D3/274**; D3/294; D13/108
(58) **Field of Classification Search**
USPC D3/272, 273, 274, 201, 205, 206, 218,
D3/269, 282, 294; D6/315; D7/391,
D7/601, 641; D13/107, 108; D14/201,
D14/223; D9/420, 423, 426, 428, 430,
D9/431, 432, 436, 499, 558, 717, 721
CPC H04R 1/1025; H02J 7/0044; Y02E 60/12;
Y01R 13/6675; B65D 85/182; B65D
73/02; A47F 8/02

See application file for complete search history.

(57) **CLAIM**

The ornamental design for a case for earphones, as shown and described.

DESCRIPTION

FIG. 1 is a perspective view of the Top Front Right Isometric Therefore.

FIG. 2 is a front view thereof.

FIG. 3 is a rear view thereof.

FIG. 4 is a left view thereof.

FIG. 5 is a right view thereof.

FIG. 6 is a top view thereof; and,

FIG. 7 is a bottom view thereof.

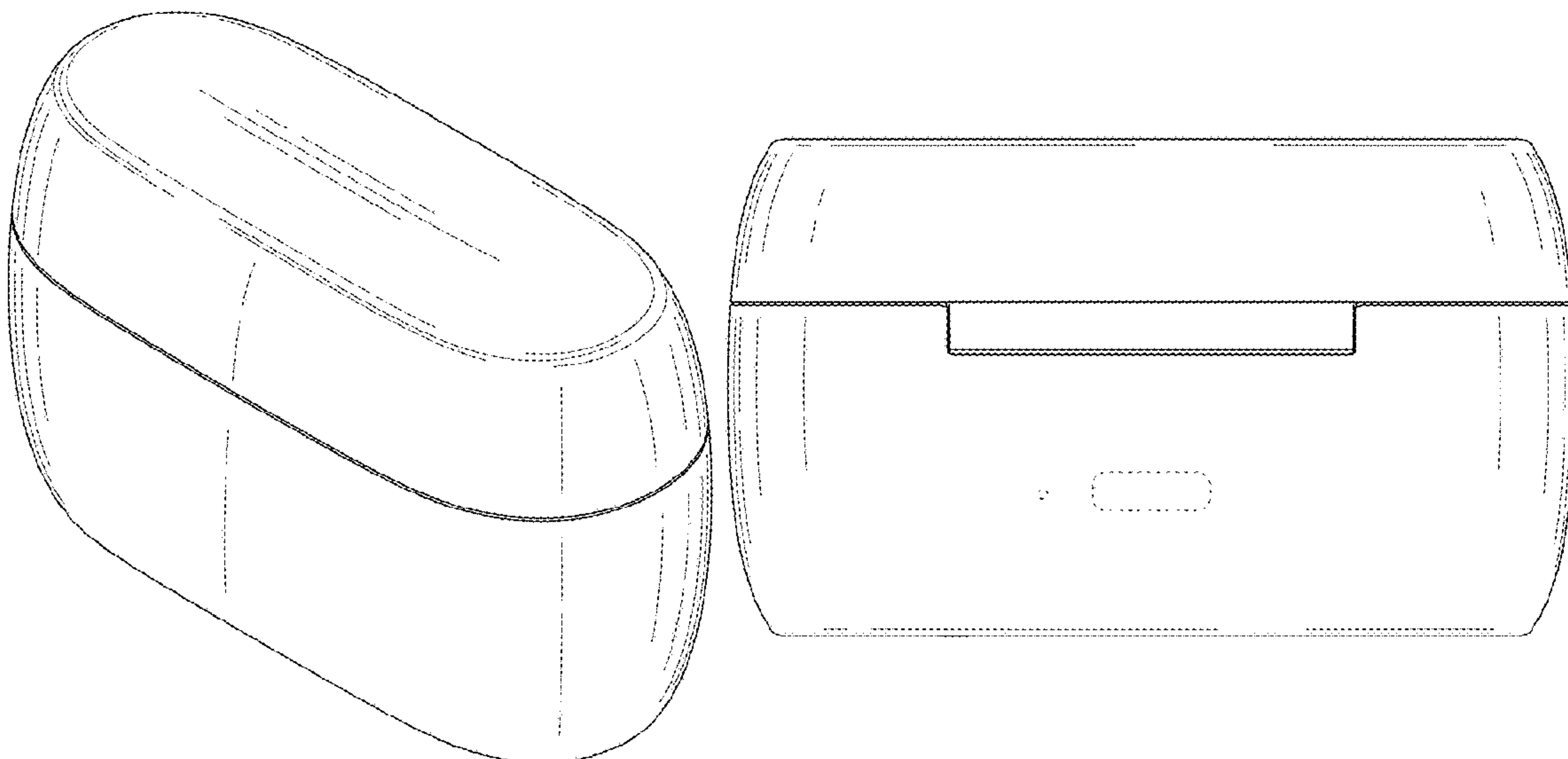
The features shown in broken lines depict environmental subject matter only and form no part of the claimed design.

1 Claim, 7 Drawing Sheets

(56) **References Cited**

U.S. PATENT DOCUMENTS

D182,255 S 3/1958 Smith
3,902,628 A 9/1975 Schurman
D289,262 S 4/1987 Goetz
D291,608 S 8/1987 Chevassus
5,353,946 A 10/1994 Behrend
5,782,371 A 7/1998 Baerenwald et al.
D406,057 S 2/1999 Hager
D449,165 S 10/2001 van der Hulst
D469,607 S 2/2003 Wolff



(56)

References Cited

U.S. PATENT DOCUMENTS

D641,164 S 7/2011 Cornu et al.
 8,189,846 B2 5/2012 Tiscareno
 D673,430 S 1/2013 Glassman
 8,910,781 B2 12/2014 Pipes
 9,237,394 B2 1/2016 Seo et al.
 9,445,631 B1 9/2016 Patel et al.
 D772,572 S 11/2016 Palmborg et al.
 D778,156 S * 2/2017 Follett D9/432
 D806,388 S 1/2018 Akana et al.
 D806,648 S 1/2018 Beedham et al.
 D810,431 S 2/2018 Kim et al.
 D818,268 S 5/2018 Akana et al.
 D823,246 S * 7/2018 Lin D13/108
 D826,152 S * 8/2018 Christiansen D13/108
 D838,480 S 1/2019 Son et al.
 D839,583 S 2/2019 Cao
 D841,580 S * 2/2019 Bao D13/108
 D841,581 S 2/2019 Bonahoom
 D843,937 S * 3/2019 Xiao D13/108
 D845,894 S * 4/2019 Clark D13/108
 D846,264 S 4/2019 Wu
 D849,401 S 5/2019 Akana et al.
 D853,116 S 7/2019 Bergman et al.
 D853,357 S * 7/2019 Li D14/217
 D864,110 S 10/2019 Yoshimura
 D870,451 S 12/2019 Birger
 D870,459 S 12/2019 Lee et al.
 D873,217 S * 1/2020 Zhang D13/108
 D878,045 S 3/2020 Akana et al.
 D878,048 S * 3/2020 Wang D3/294
 D881,572 S * 4/2020 Wang D3/294
 D882,259 S 4/2020 Liu
 D886,455 S 6/2020 Williamson et al.
 D887,351 S 6/2020 Bonahoom
 D888,408 S 6/2020 Lee et al.
 10,701,472 B1 6/2020 Xu et al.
 D893,184 S 8/2020 Liu
 D893,185 S 8/2020 Liu
 D894,123 S 8/2020 Xiong
 D897,678 S * 10/2020 Koh D3/294
 D897,997 S 10/2020 Zhang
 D898,664 S 10/2020 Bhutani
 D901,377 S 11/2020 Zhou
 D902,588 S 11/2020 Zhang
 D904,025 S 12/2020 Ma
 D904,755 S * 12/2020 Birger D3/201
 D906,238 S * 12/2020 Zhang D13/108
 D906,299 S 12/2020 Luo
 D908,084 S 1/2021 He
 D910,603 S * 2/2021 Li D14/223
 D911,027 S 2/2021 Liang
 D912,622 S 3/2021 Zhou
 D913,223 S 3/2021 Li
 D914,591 S * 3/2021 Ganapathy D13/107
 D918,138 S 5/2021 Ma
 D918,181 S 5/2021 Bailey et al.
 D920,235 S 5/2021 Liu
 D920,236 S 5/2021 Xie
 D921,582 S 6/2021 Liu
 D922,315 S 6/2021 Zhang
 D922,946 S 6/2021 Chen
 D922,985 S 6/2021 Kataoka
 D927,417 S * 8/2021 Sretovic D13/108
 D927,465 S 8/2021 Wang et al.
 D929,969 S 9/2021 Ding

D930,622 S 9/2021 Lin
 D931,258 S 9/2021 Ding
 D931,605 S * 9/2021 Zhu D3/294
 D931,861 S 9/2021 Zhong et al.
 D932,427 S * 10/2021 Schoeck D13/108
 D932,428 S 10/2021 Reimann et al.
 D933,597 S * 10/2021 Natsume D13/108
 D935,772 S 11/2021 Chen
 D936,040 S 11/2021 Zhao et al.
 D939,830 S 1/2022 Laffon de Mazieres et al.
 D940,109 S 1/2022 Birger
 D943,553 S 2/2022 Zhang
 D943,555 S 2/2022 Deng
 D944,197 S 2/2022 Li
 2002/0096517 A1 7/2002 Gelardi
 2008/0090622 A1 * 4/2008 Kim H04R 1/1091
 455/573
 2010/0246878 A1 9/2010 Sim et al.
 2012/0321103 A1 12/2012 Smailagic et al.
 2013/0148830 A1 6/2013 Sakaguchi et al.
 2014/0348372 A1 11/2014 Seo et al.
 2017/0064429 A1 3/2017 Hirsch et al.
 2018/0020281 A1 1/2018 Wurtz
 2018/0286375 A1 10/2018 Cattell et al.
 2018/0338193 A1 11/2018 Wallace et al.
 2019/0069066 A1 2/2019 Song et al.
 2019/0124433 A1 4/2019 Jo et al.
 2020/0304899 A1 9/2020 Cramer et al.
 2020/0321792 A1 10/2020 Rhee et al.
 2021/0085047 A1 3/2021 Wright et al.
 2021/0250708 A1 8/2021 Kheraj
 2021/0259378 A1 8/2021 Jones
 2021/0289282 A1 9/2021 Onizuka et al.
 2021/0392426 A1 12/2021 You et al.

FOREIGN PATENT DOCUMENTS

CN 305053419 * 3/2019
 EM 007971882-0001 5/2020
 EM 008049761-0001 7/2020
 EM 008428452-0001 2/2021
 EM 008508840-0001 4/2021
 EP 2736267 5/2014
 GB 6127872 4/2021
 GB 6188747 1/2022
 HK 2118076-0002 5/2021
 JP 2015109542 6/2015
 KR 300955725 5/2018
 KR 301005218.0000 * 5/2019
 TW 215431-0001 8/2020
 WO D091753-001 * 7/2016
 WO 2017147545 8/2017

OTHER PUBLICATIONS

Amazon.com, Site visited Nov. 15, 2021, Tozo T6 True Wireless Earbuds, First Available May 9, 2019, <https://www.amazon.com/TOZO-T6-Bluetooth-Headphones-Waterproof/dp/B07RGZ5NKS> (Year: 2019).*

Amazon.com, Site visited Nov. 15, 2021, EarFun Wireless Earbuds, First Available Aug. 30, 2019, <https://www.amazon.com/EarFun-Bluetooth-Waterproof-Earphones-Headphones/dp/B07S4D8M34> (Year: 2019).*

Extended European Search Report for European patent application No. 18211033.8 dated May 23, 2019.

* cited by examiner

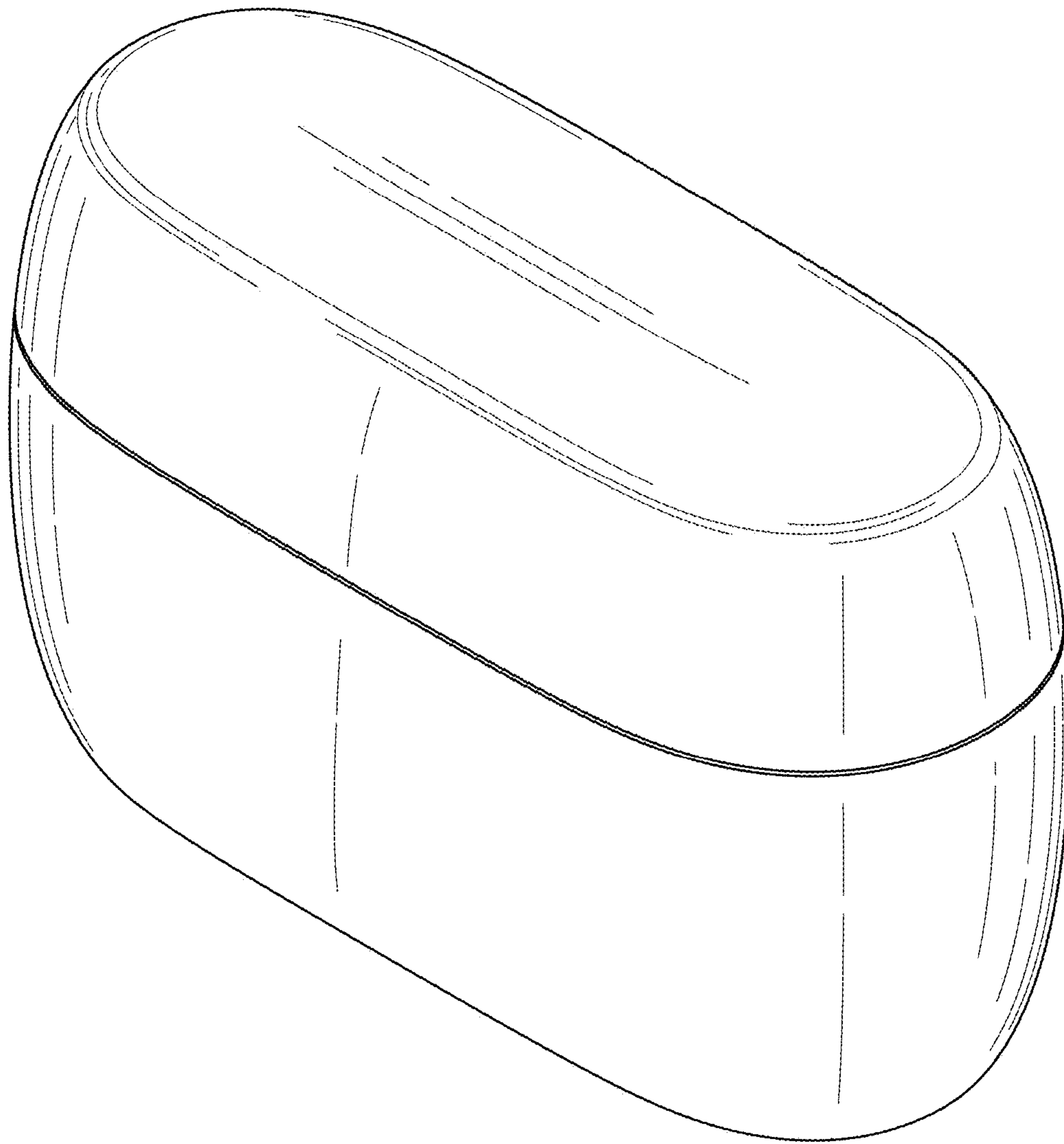


FIG. 1

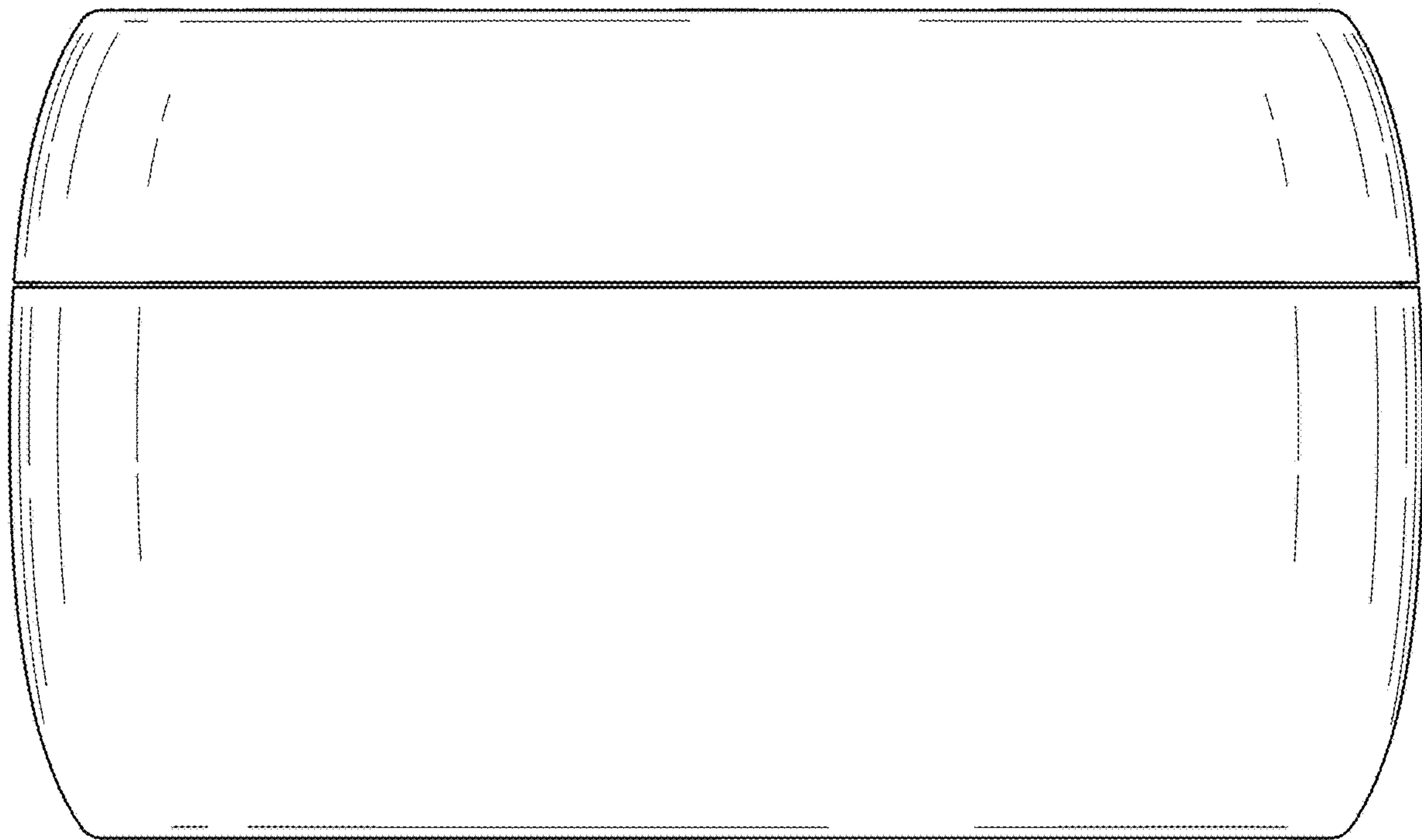


FIG. 2

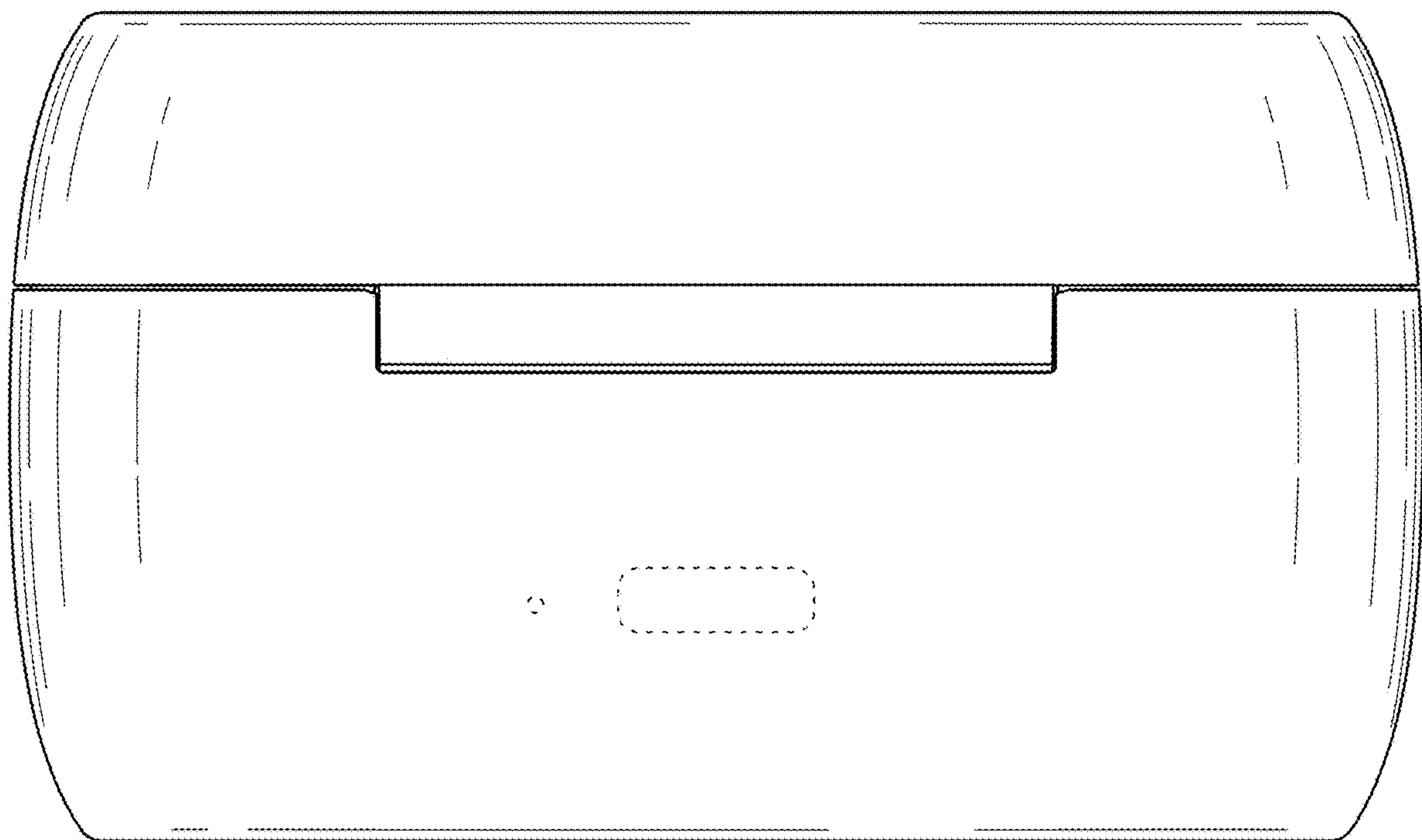


FIG. 3

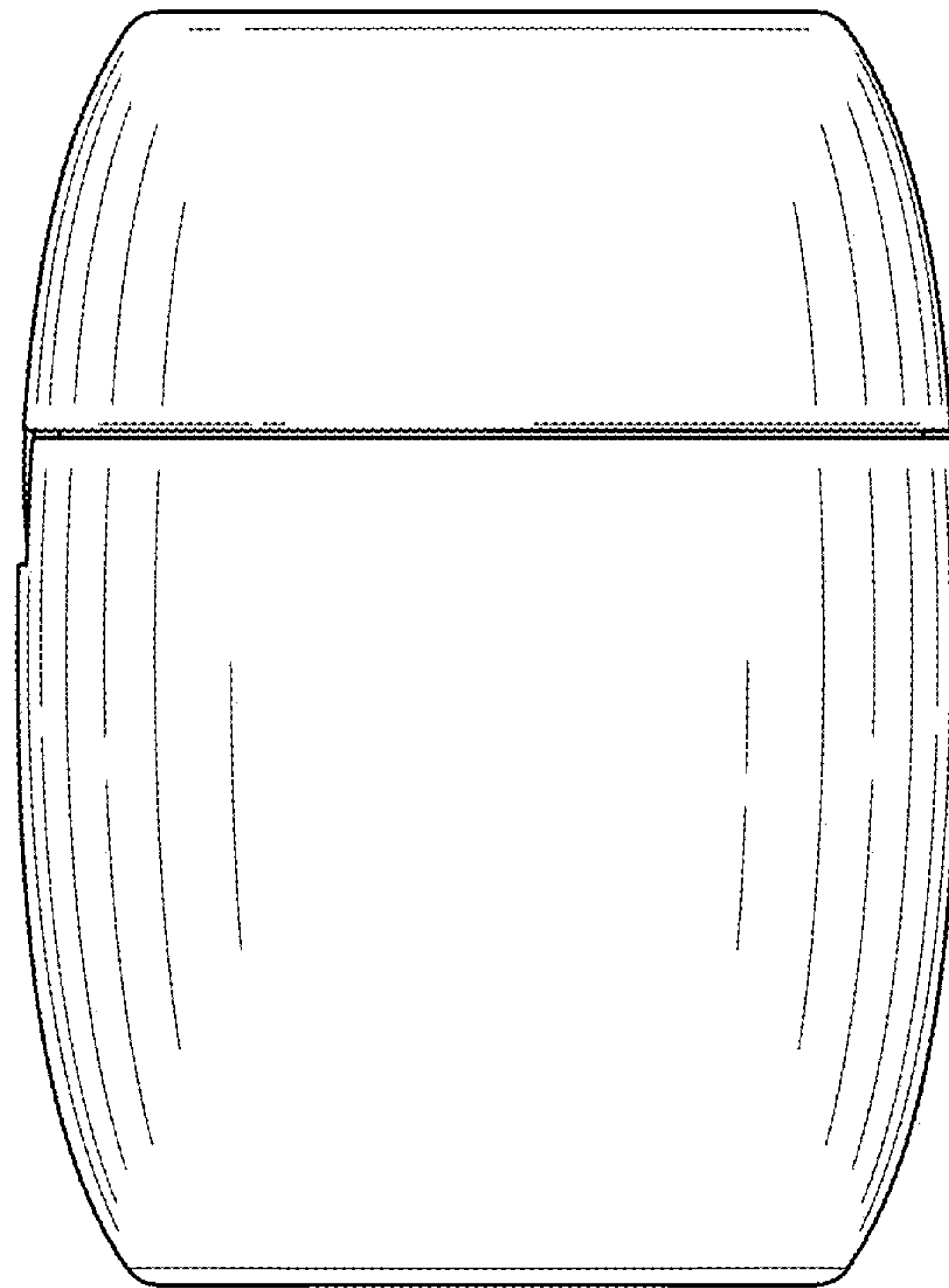


FIG. 4

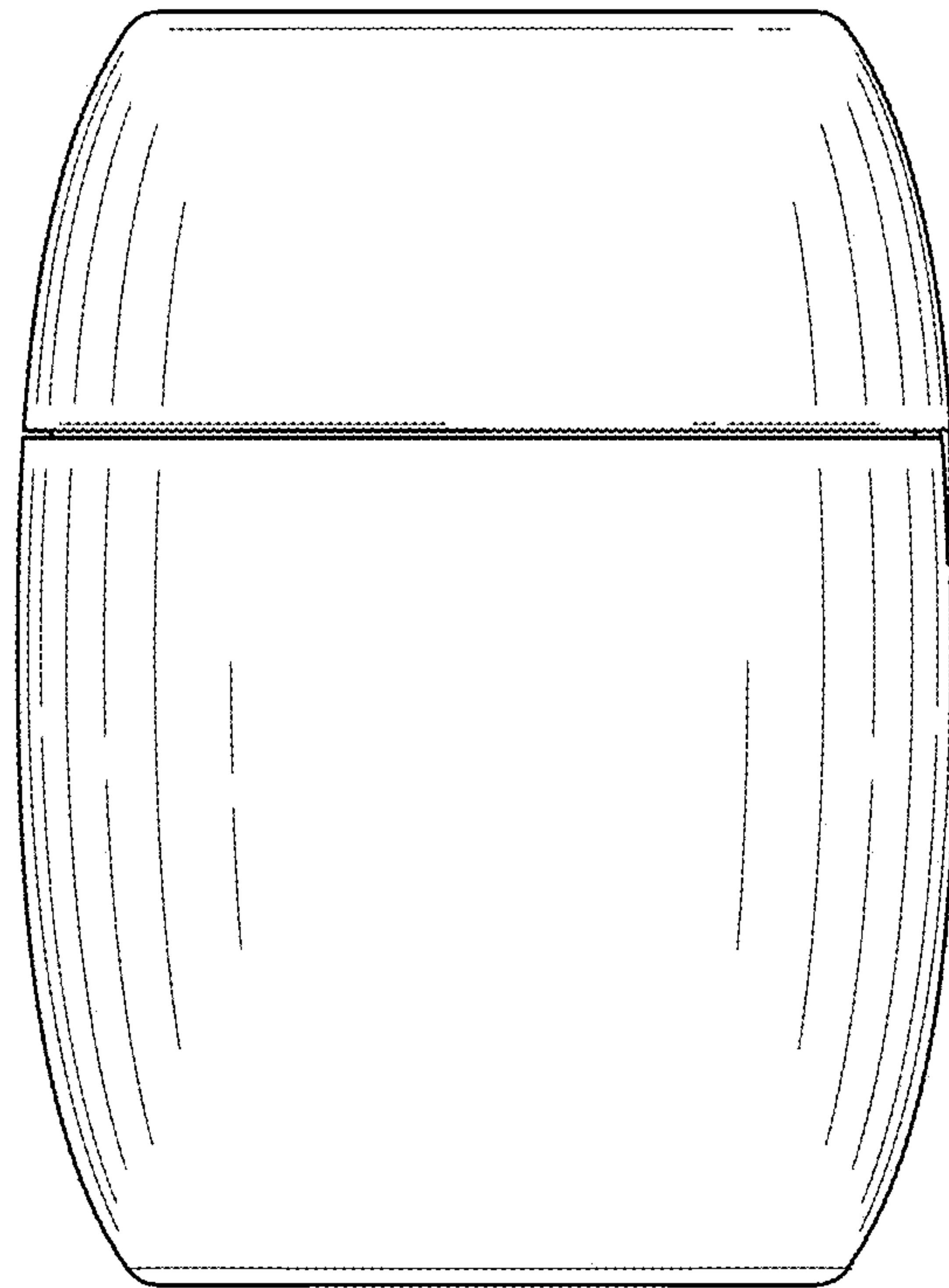


FIG. 5

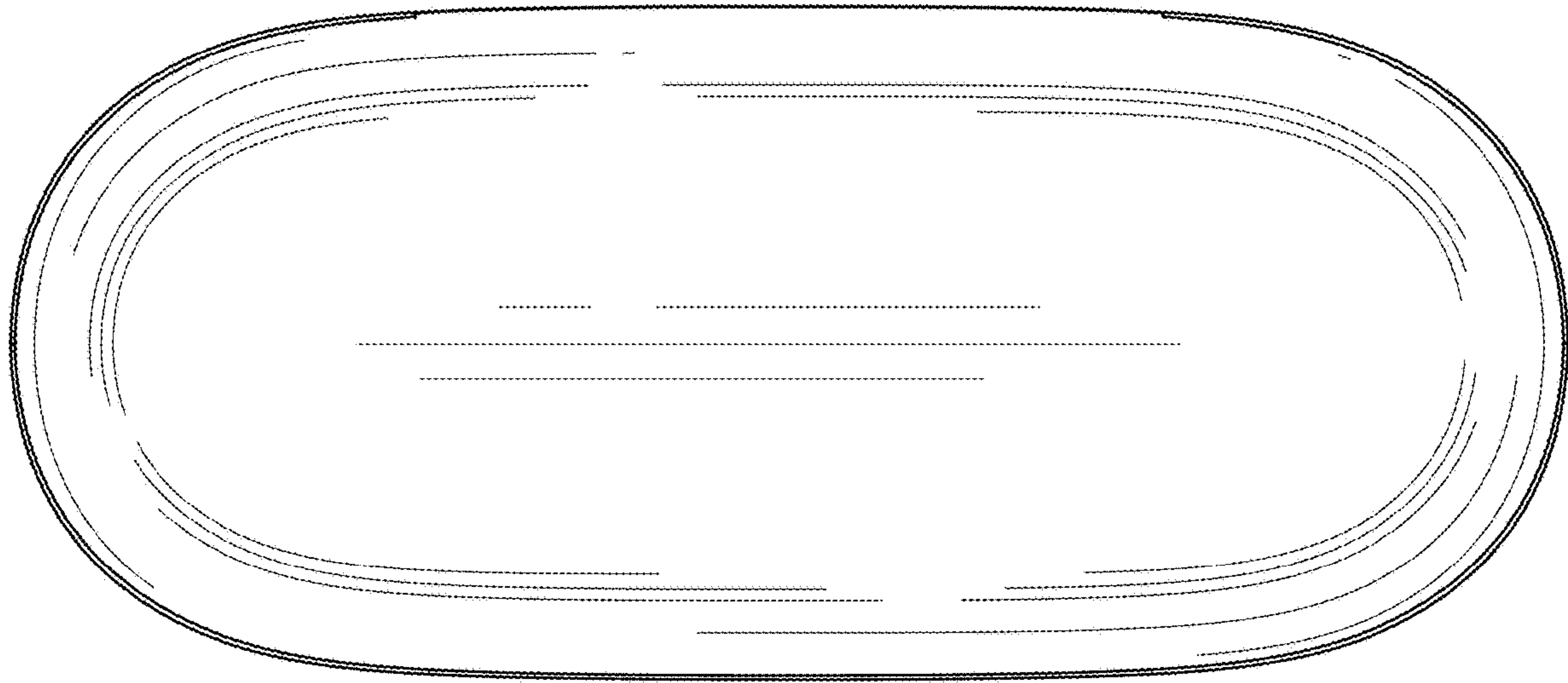


FIG. 6

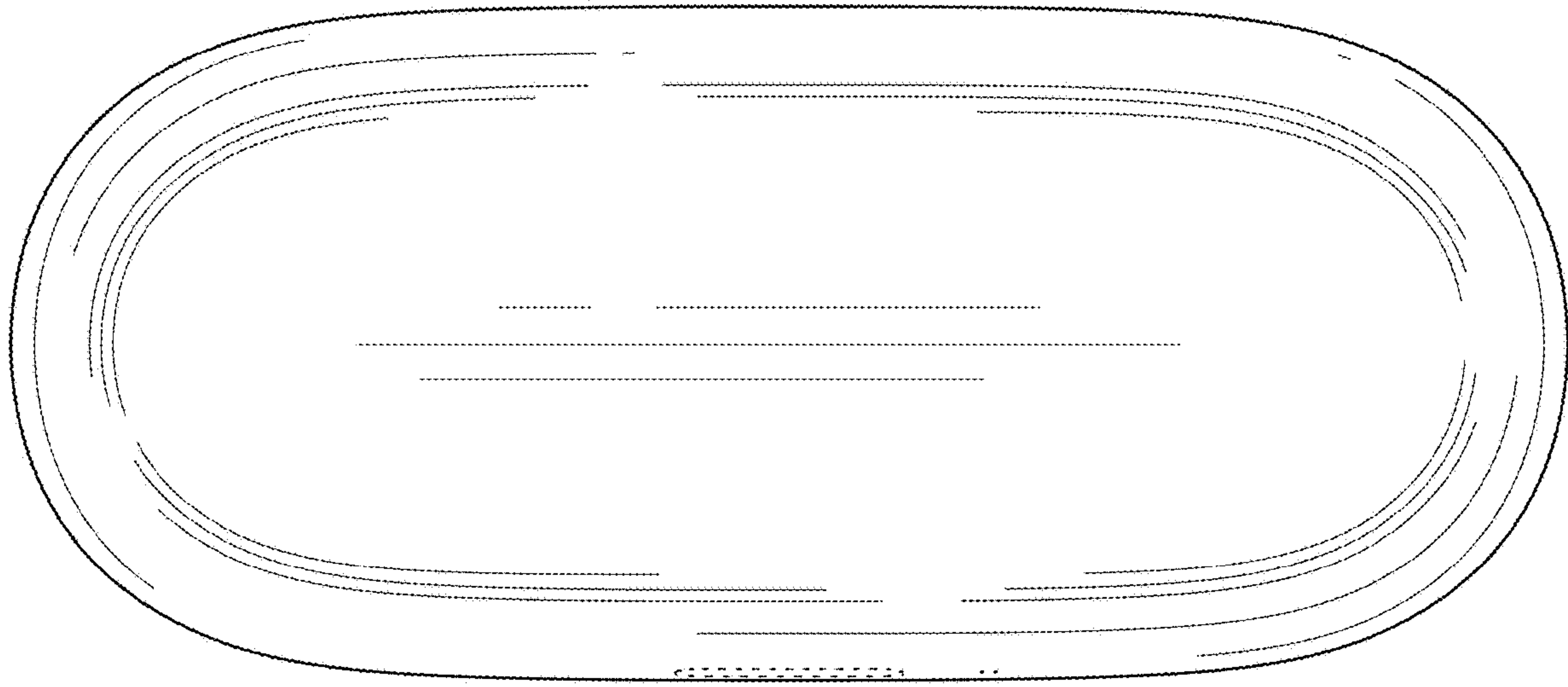


FIG. 7