



US00D956414S

(12) **United States Design Patent** (10) **Patent No.:** **US D956,414 S**
Knightly (45) **Date of Patent:** **** Jul. 5, 2022**

(54) **HANDBAG**
(71) Applicant: **MOYNAT PARIS SAS**, Paris (FR)
(72) Inventor: **Nicholas Knightly**, Paris (FR)
(**) Term: **15 Years**
(21) Appl. No.: **35/511,546**
(22) Filed: **Feb. 19, 2021**
(80) **Hague Agreement Data**

Int. Filing Date: **Feb. 19, 2021**
Int. Reg. No.: **DM/213068**
Int. Reg. Date: **Feb. 19, 2021**
Int. Reg. Pub. Date: **Mar. 19, 2021**

(51) **LOC (13) Cl.** **03-01**
(52) **U.S. Cl.**
USPC **D3/242**
CPC **A45C 11/00** (2013.01)
(58) **Field of Classification Search**
USPC D3/226–232, 217, 218, 204, 290, 273,
D3/276, 285, 286, 289, 299, 301,
D3/242–246
CPC A45C 2013/026; A45C 11/00; A45C
2003/008; A45F 3/04
See application file for complete search history.

(56) **References Cited**
U.S. PATENT DOCUMENTS

D101,792 S * 11/1936 Resnick 206/810
D122,628 S * 9/1940 Lewis D3/240
2,745,524 A * 5/1956 Plotkin A45C 11/02
190/115
D207,194 S * 3/1967 Artman D3/232
D248,891 S * 8/1978 Pflieger D3/246
D260,325 S * 8/1981 Davis D3/234

D351,320 S * 10/1994 Minor D7/606
D394,949 S * 6/1998 Petto D3/246
D414,082 S * 9/1999 Keene D3/289
D420,508 S * 2/2000 Kohlhase D3/246
D753,914 S * 4/2016 Van Migem D3/232
D781,051 S * 3/2017 Leopardi D3/232
D834,811 S * 12/2018 Nair D3/232
D840,149 S * 2/2019 Lemaire D3/240
D858,979 S * 9/2019 Dumas D3/232
D866,173 S * 11/2019 Savoulidis D3/245
D887,130 S * 6/2020 Pham D3/232
D893,175 S * 8/2020 Lemaire D3/245
D919,284 S * 5/2021 Cui D3/204
D944,516 S * 3/2022 Lin D3/285
2018/0367356 A1 * 12/2018 Flores Miranda .. H04L 27/2611

* cited by examiner

Primary Examiner — Richard E Chilcot

(57) **CLAIM**

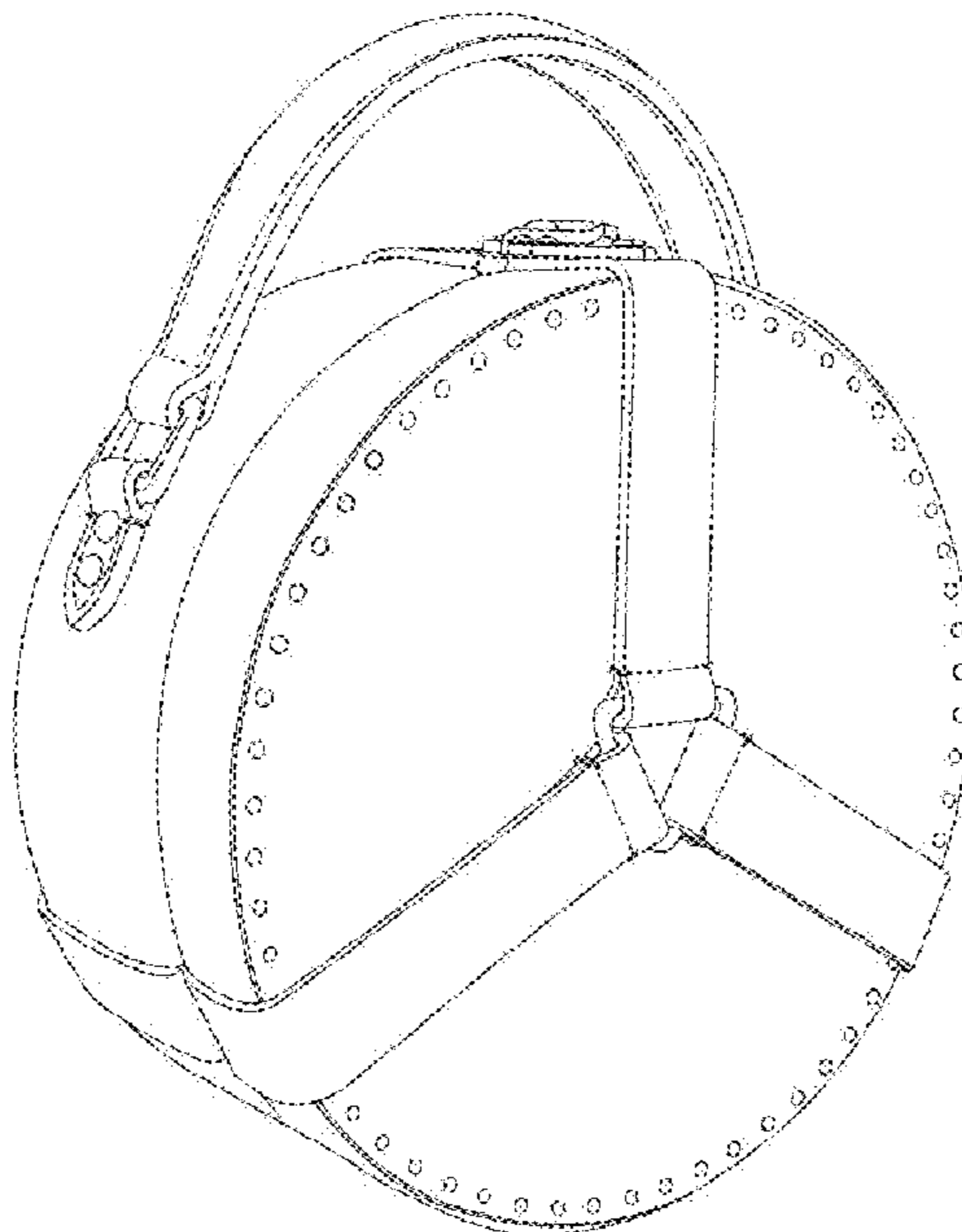
The ornamental design for a handbag, as shown and described.

DESCRIPTION

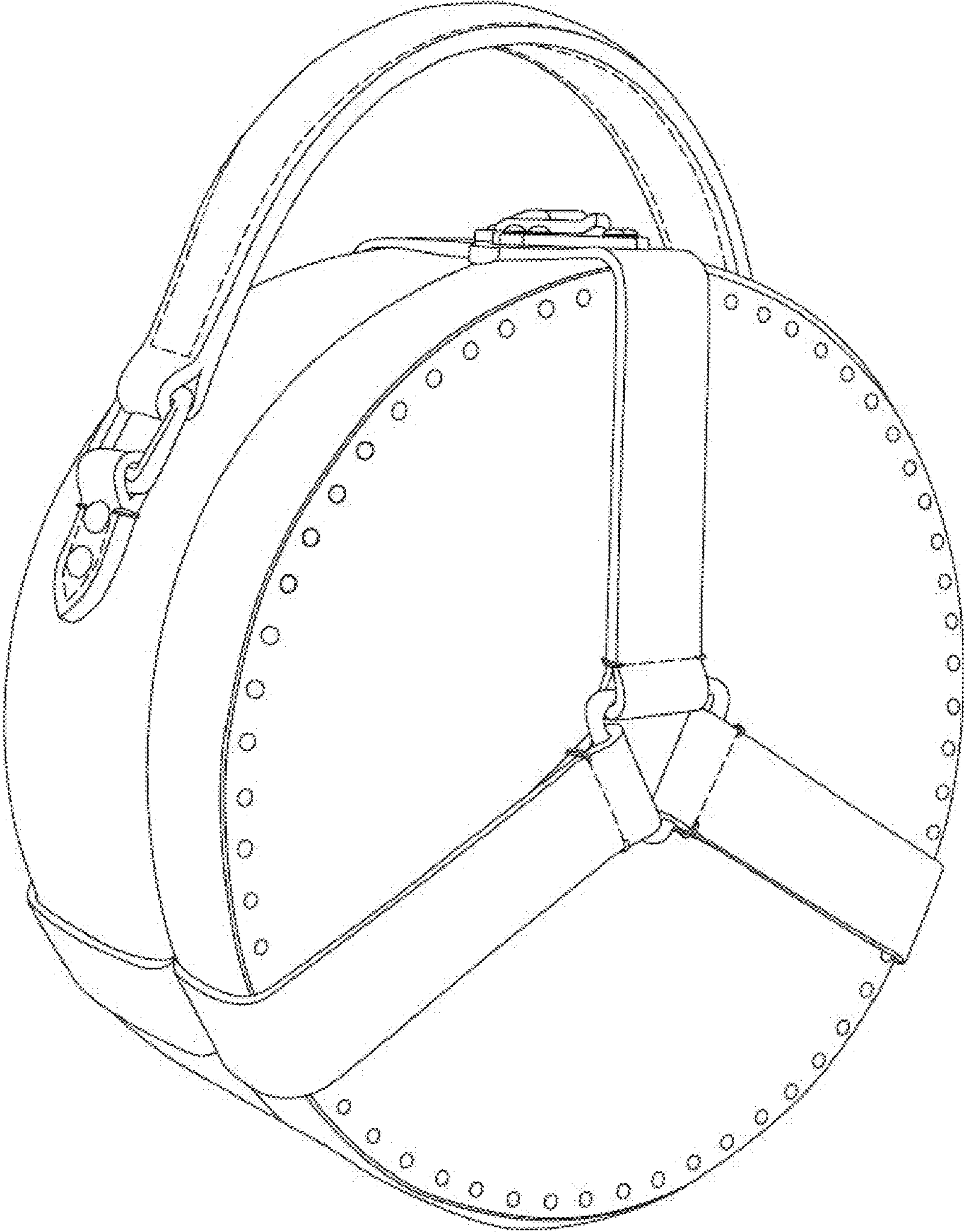
- 1. Handbag
- 1.1 : Perspective
- 1.2 : Front
- 1.3 : Back
- 1.4 : Left
- 1.5 : Right
- 1.6 : Top
- 1.7 : Bottom

The broken lines in the figures are for the purpose of illustrating claimed stitching; 1.1 is a perspective view of a handbag; 1.2 is a front view thereof; 1.3 is a back view thereof; 1.4 is a left side view thereof; 1.5 is a right side view thereof; 1.6 is a top view thereof; 1.7 is a bottom view thereof.

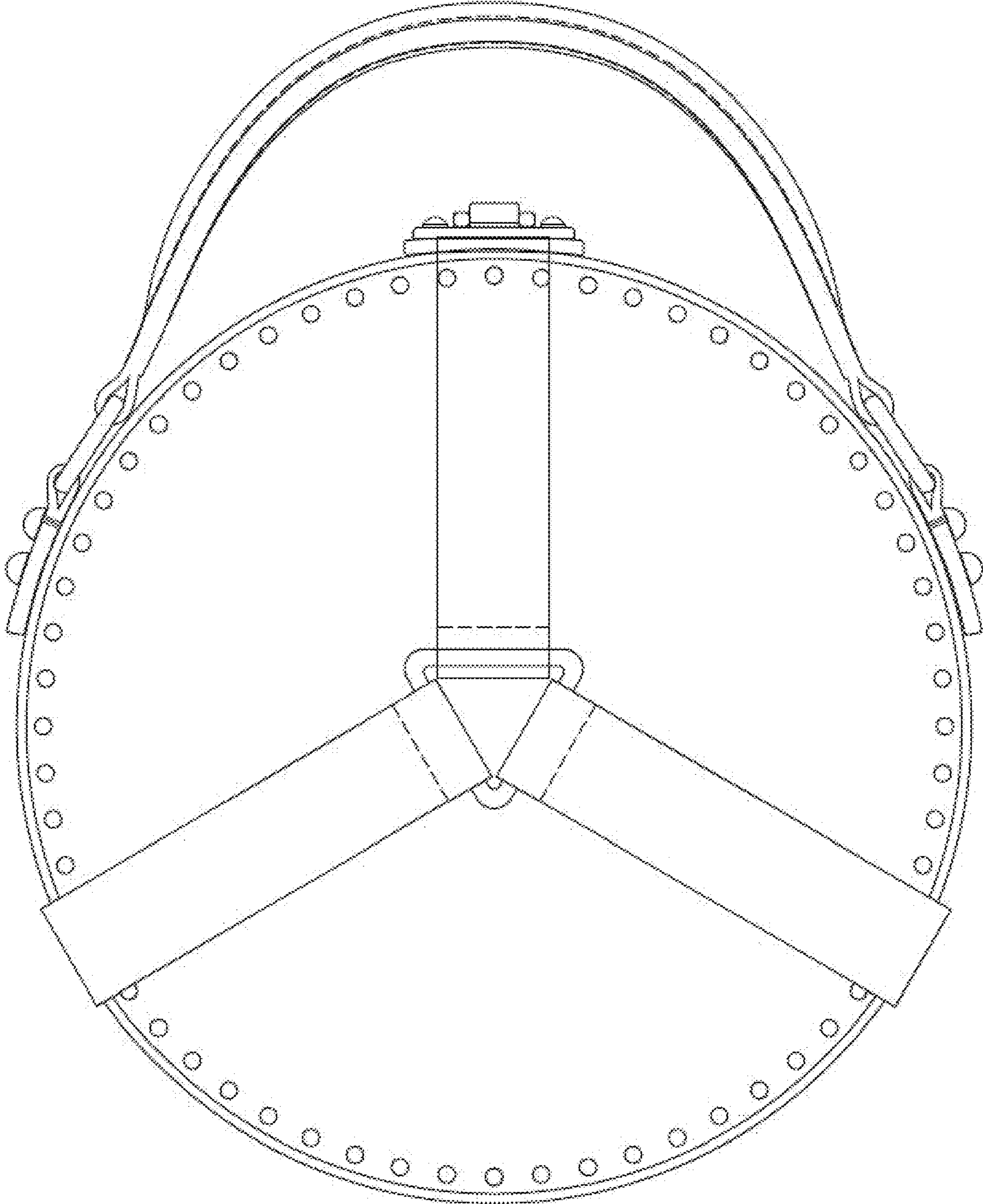
1 Claim, 7 Drawing Sheets



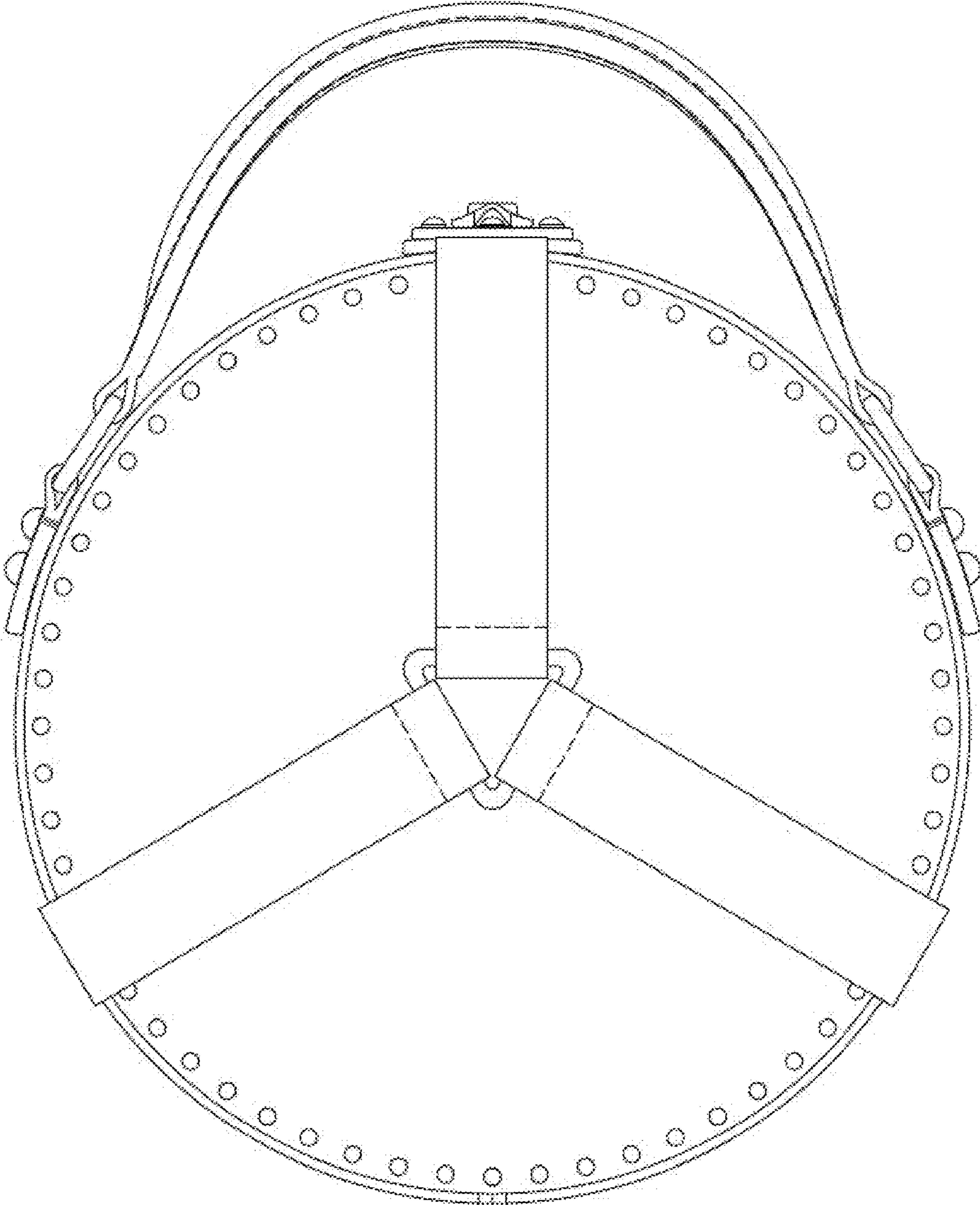
1.1



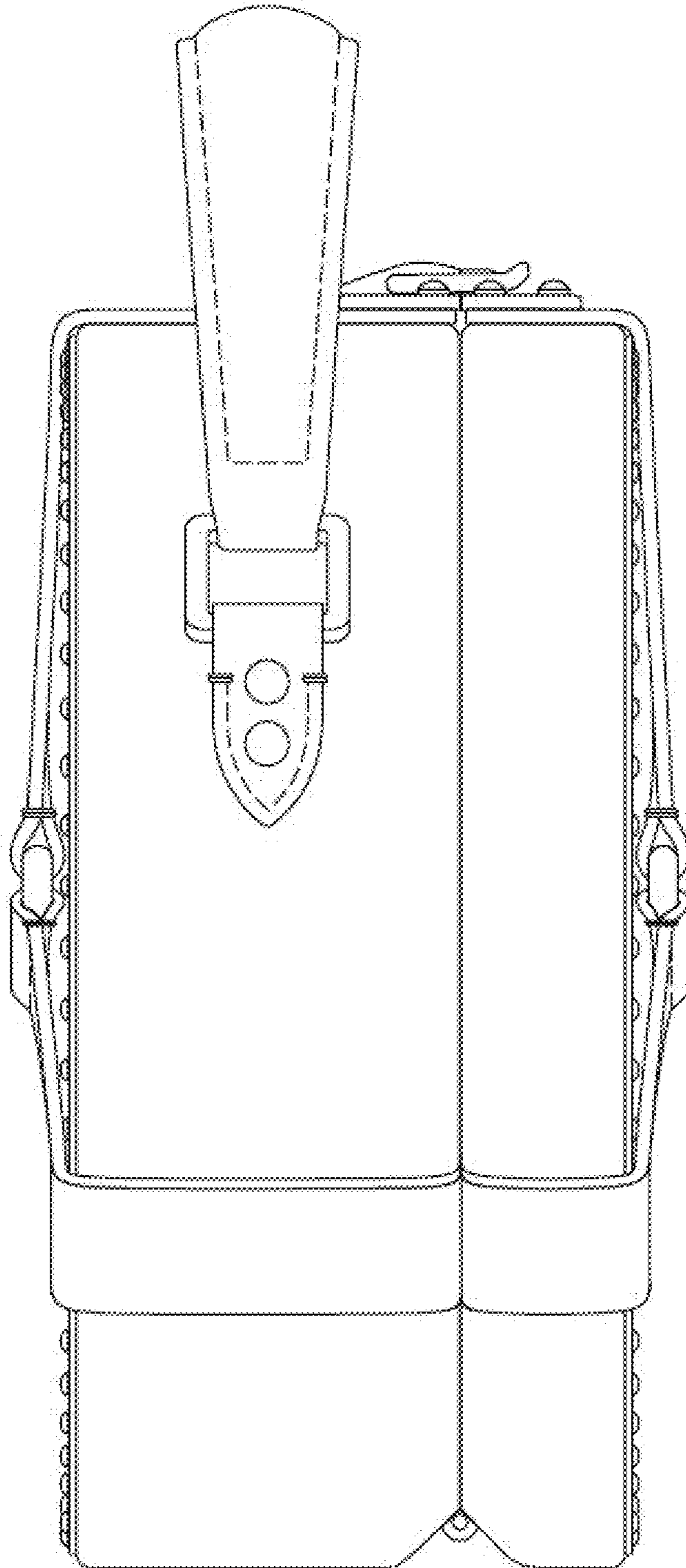
1.2



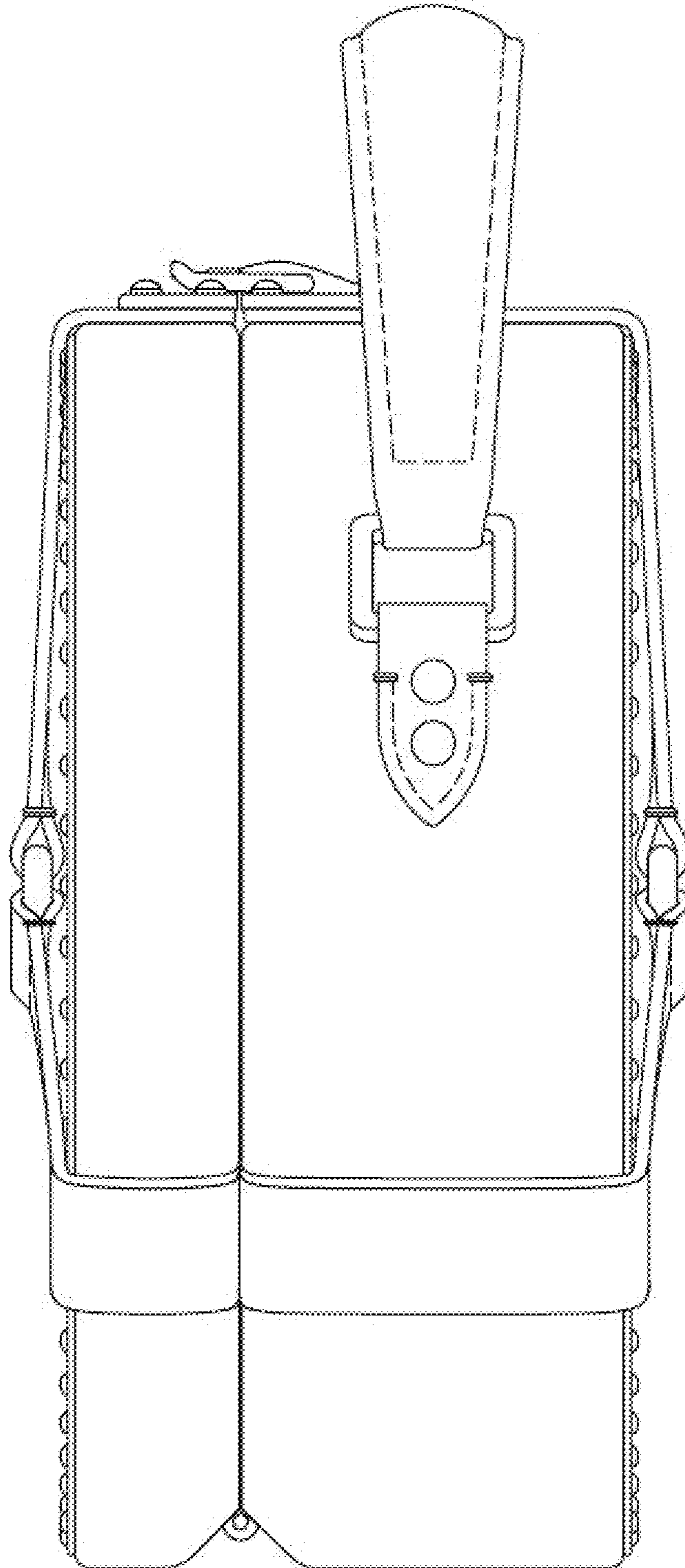
1.3



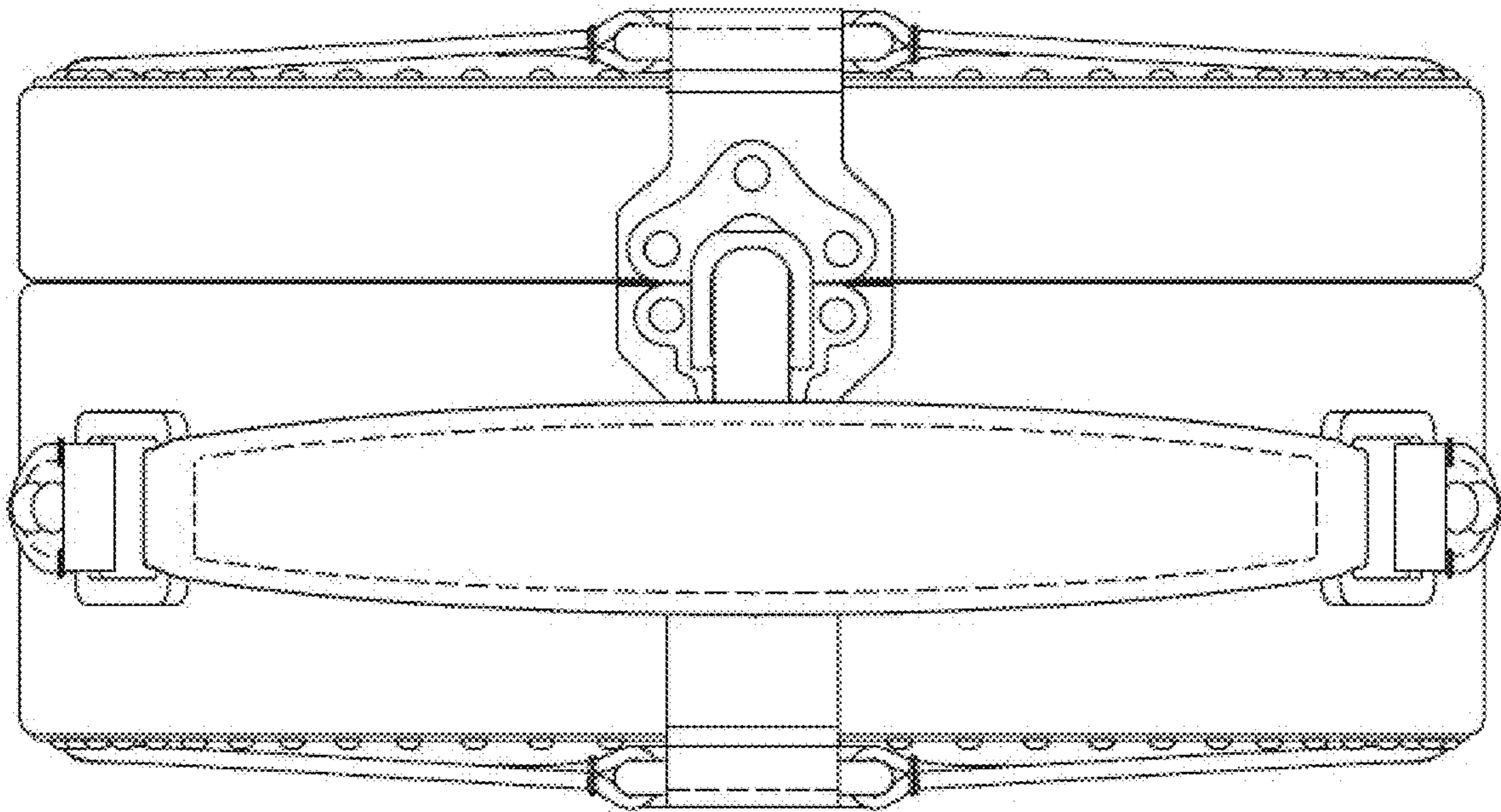
1.4



1.5



1.6



1.7

