



US00D956413S

(12) **United States Design Patent** (10) **Patent No.:** **US D956,413 S**
Carter et al. (45) **Date of Patent:** **** Jul. 5, 2022**

(54) **WRIST-WORN CONTAINER**
(71) Applicants: **Roberto Benjamin Carter**, Cocoa, FL (US); **Latoya Denice Munson**, Winter Haven, FL (US)

(72) Inventors: **Roberto Benjamin Carter**, Cocoa, FL (US); **Latoya Denice Munson**, Winter Haven, FL (US)

(**) Term: **15 Years**

(21) Appl. No.: **29/652,584**

(22) Filed: **Sep. 25, 2020**

(51) **LOC (13) Cl.** **03-01**

(52) **U.S. Cl.**
USPC **D3/229**; D10/38

(58) **Field of Classification Search**
USPC D3/215, 218, 226–229, 247, 249–252, D3/272–273, 276, 294, 299–301, D3/303–305, 315, 318, 328; D10/30–32, D10/38; D11/2–5; D7/601–602, 630
CPC A45C 2011/001; A45C 2011/002; A45C 2011/003; A45C 11/00; A45F 5/00; A45F 5/021; G06F 1/1667; G06F 1/1626; A47B 23/044; H04B 1/3888; G04B 37/00; G04B 37/008; G04B 37/0058; G04B 39/00; G04B 19/06; G04C 3/00; G04G 9/00; G04G 17/00; G04G 17/08
See application file for complete search history.

(56) **References Cited**

U.S. PATENT DOCUMENTS

1,573,239 A 2/1926 Gilliland
3,202,331 A 8/1965 Mckinstrie
D248,057 S * 5/1978 Heimler D3/229
D372,878 S * 8/1996 Finnegan D11/3
D423,723 S 4/2000 Metcalf
8,517,233 B2 * 8/2013 Podda-Heubach A61B 90/53
224/267
D694,655 S * 12/2013 Rufenacht D10/38

D713,269 S * 9/2014 Rapko D10/38
D724,345 S * 3/2015 Lim D8/373
D748,502 S * 2/2016 Rapko D10/38
D759,652 S * 6/2016 Aumiller D14/344
D775,534 S * 1/2017 Turksu D14/218
(Continued)

FOREIGN PATENT DOCUMENTS

KR 301052985.0000 * 4/2020

OTHER PUBLICATIONS

Magnetic Pincushions Needle Box, unknown first available date, sarkmkx.com [online], [site visited Feb. 4, 2022], Available at URL: https://www.sparkmkx.com/index.php?main_page=product_info&products_id=27611 (Year: 2022).*

(Continued)

Primary Examiner — Jeffrey D Asch
Assistant Examiner — Caitlin A Laverty
(74) *Attorney, Agent, or Firm* — Dunlap Bennett & Ludwig, PLLC

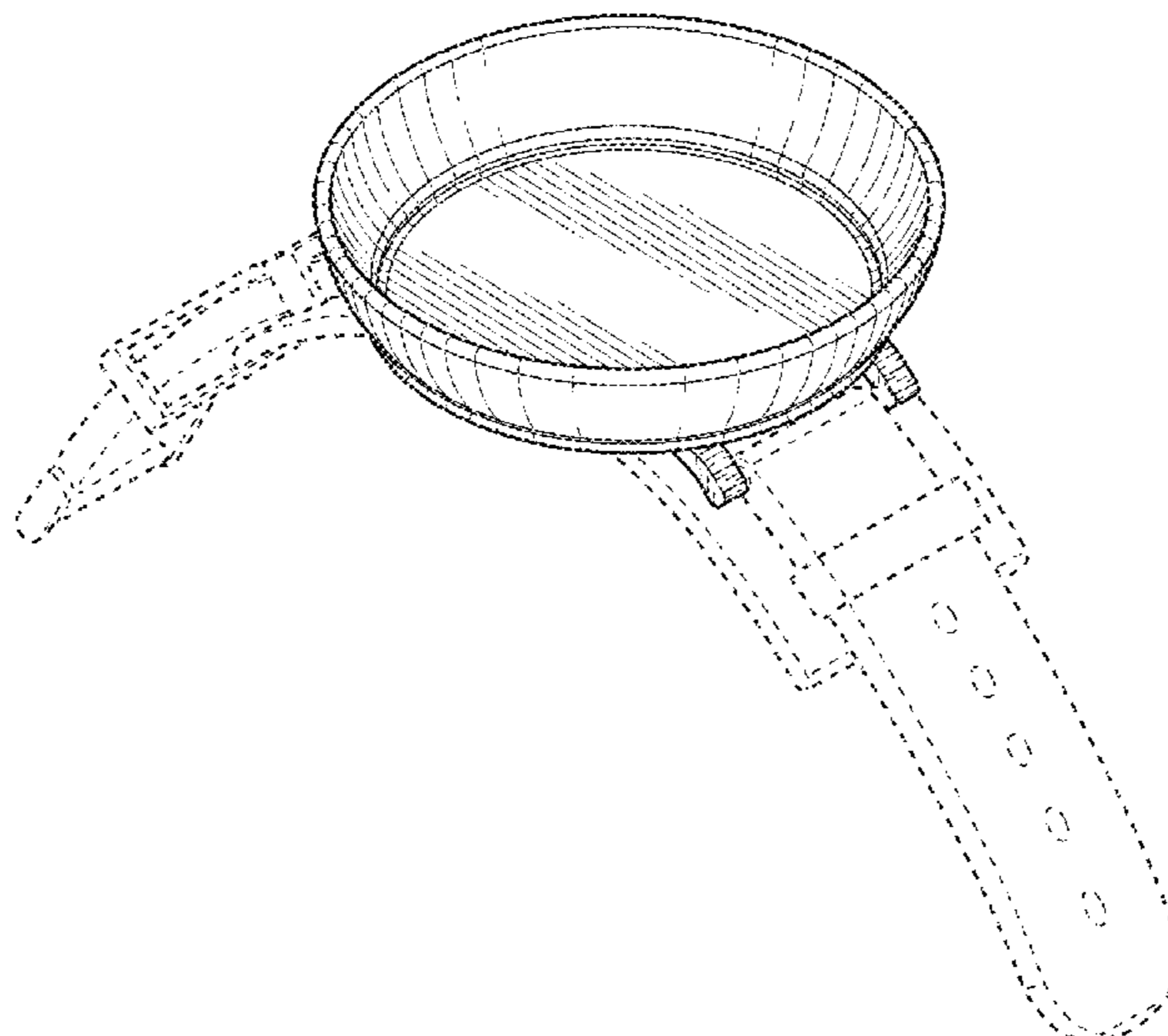
(57) **CLAIM**

The ornamental design for a wrist-worn container, as shown and described.

DESCRIPTION

FIG. 1 is a front perspective view of the wrist-worn container, showing our new design;
FIG. 2 is a right side elevation view thereof;
FIG. 3 is a left side elevation view thereof;
FIG. 4 is a rear elevation view thereof;
FIG. 5 is a front elevation view thereof;
FIG. 6 is a top plan view thereof; and,
FIG. 7 is a bottom plan view thereof.
The broken lines shown in the drawings depict a strap that represents environment of the wrist-worn container and forms no part of the claimed design.

1 Claim, 4 Drawing Sheets



(56)

References Cited

U.S. PATENT DOCUMENTS

D786,705 S * 5/2017 Babcock D10/38
D849,560 S * 5/2019 Dicks D10/30
10,477,932 B2 11/2019 Bouganim et al.
D876,936 S * 3/2020 Logar D8/374
D927,327 S * 8/2021 Lenterman D10/38
2009/0050657 A1* 2/2009 Woolery A45F 5/00
224/267

OTHER PUBLICATIONS

MAG-MATE Magnetic Wristband Nail and Screw Holder, first available Sep. 11, 2018 based on customer review, homedepot.com [online], [site visited Feb. 4, 2022], Available at URL: <https://www.homedepot.com/p/MAG-MATE-Magnetic-Wristband-Nail-and-Screw-Holder-MX2000W/305050572> (Year: 2018).*

* cited by examiner

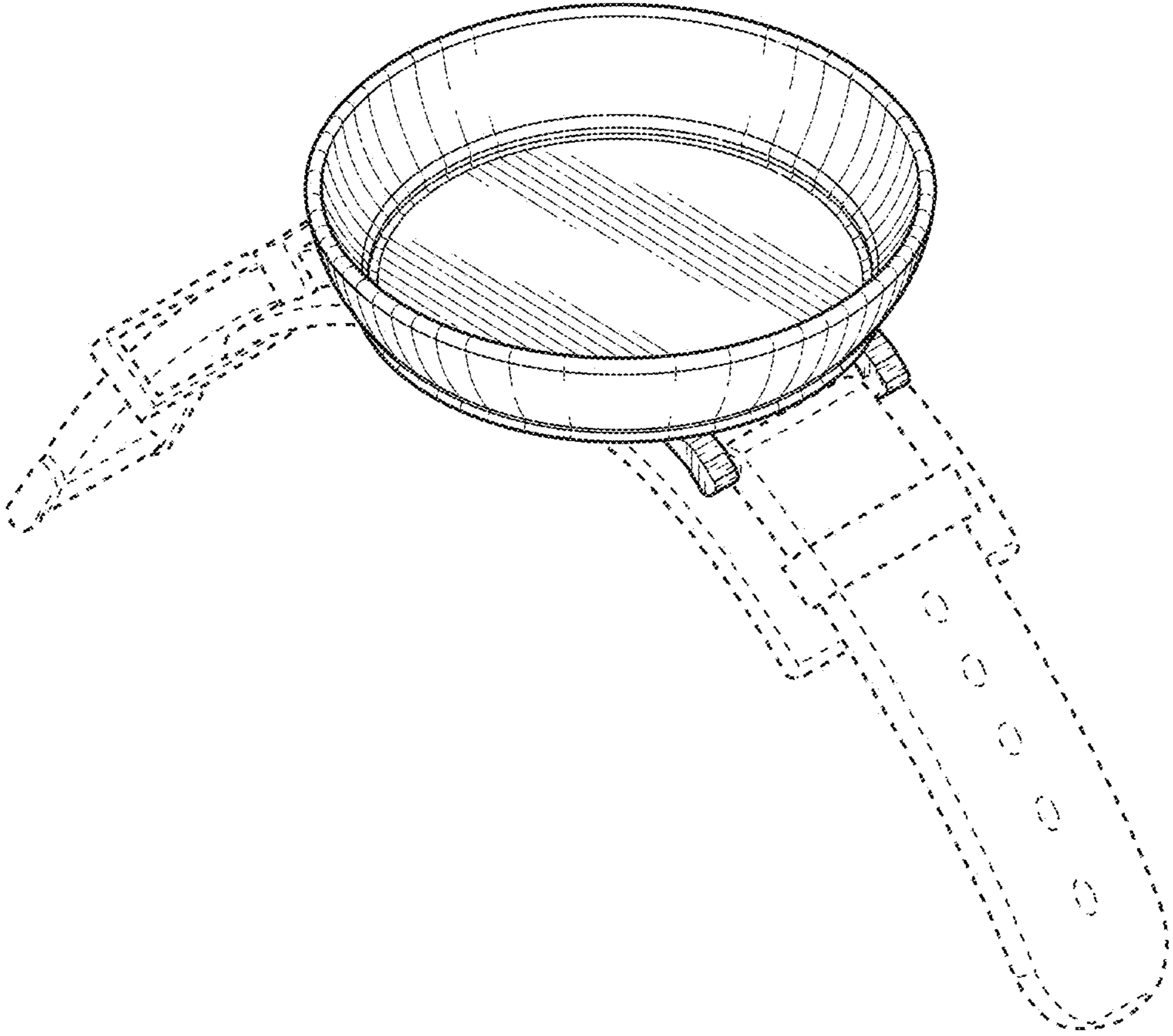


FIG. 1

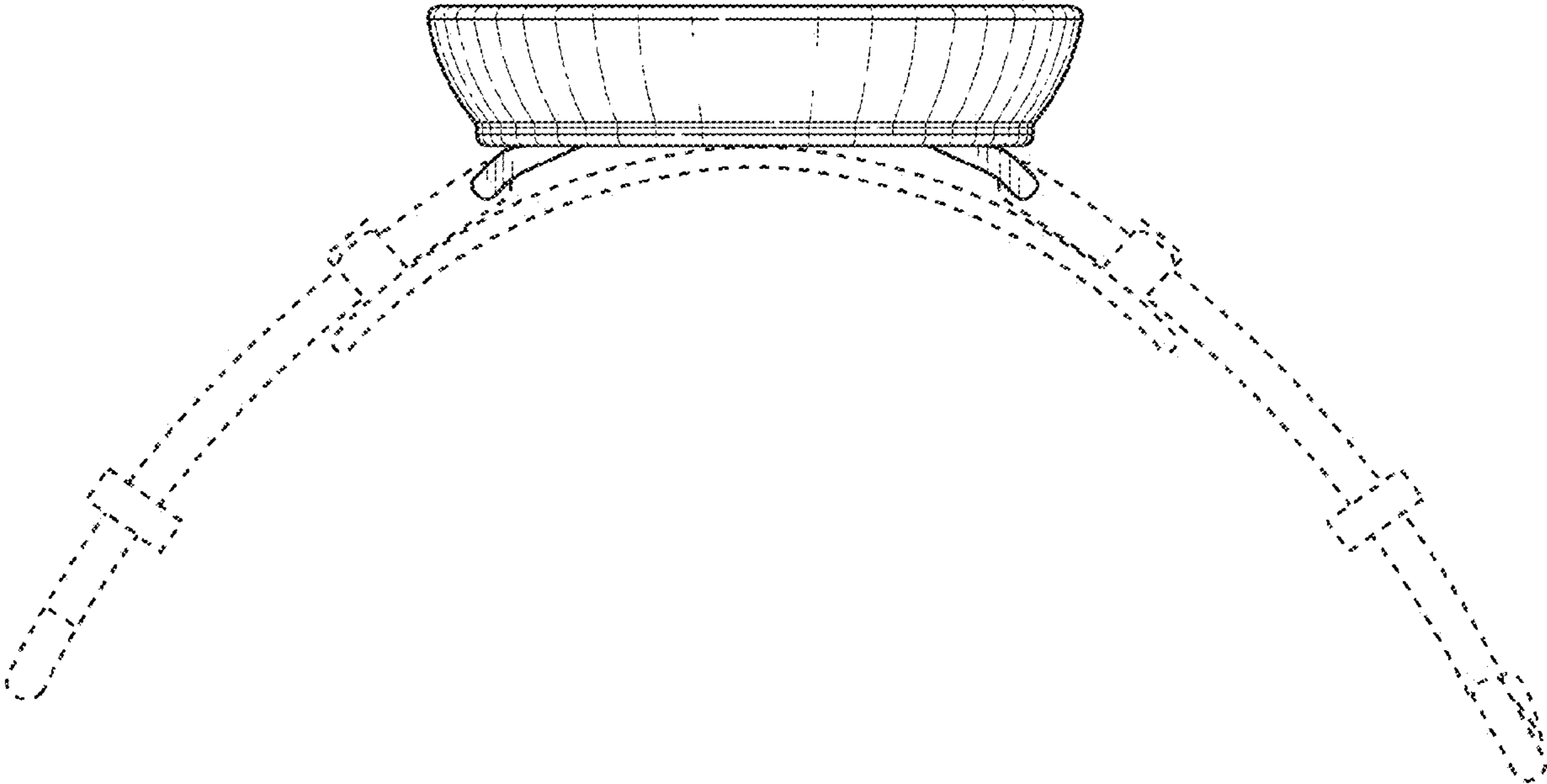


FIG. 2

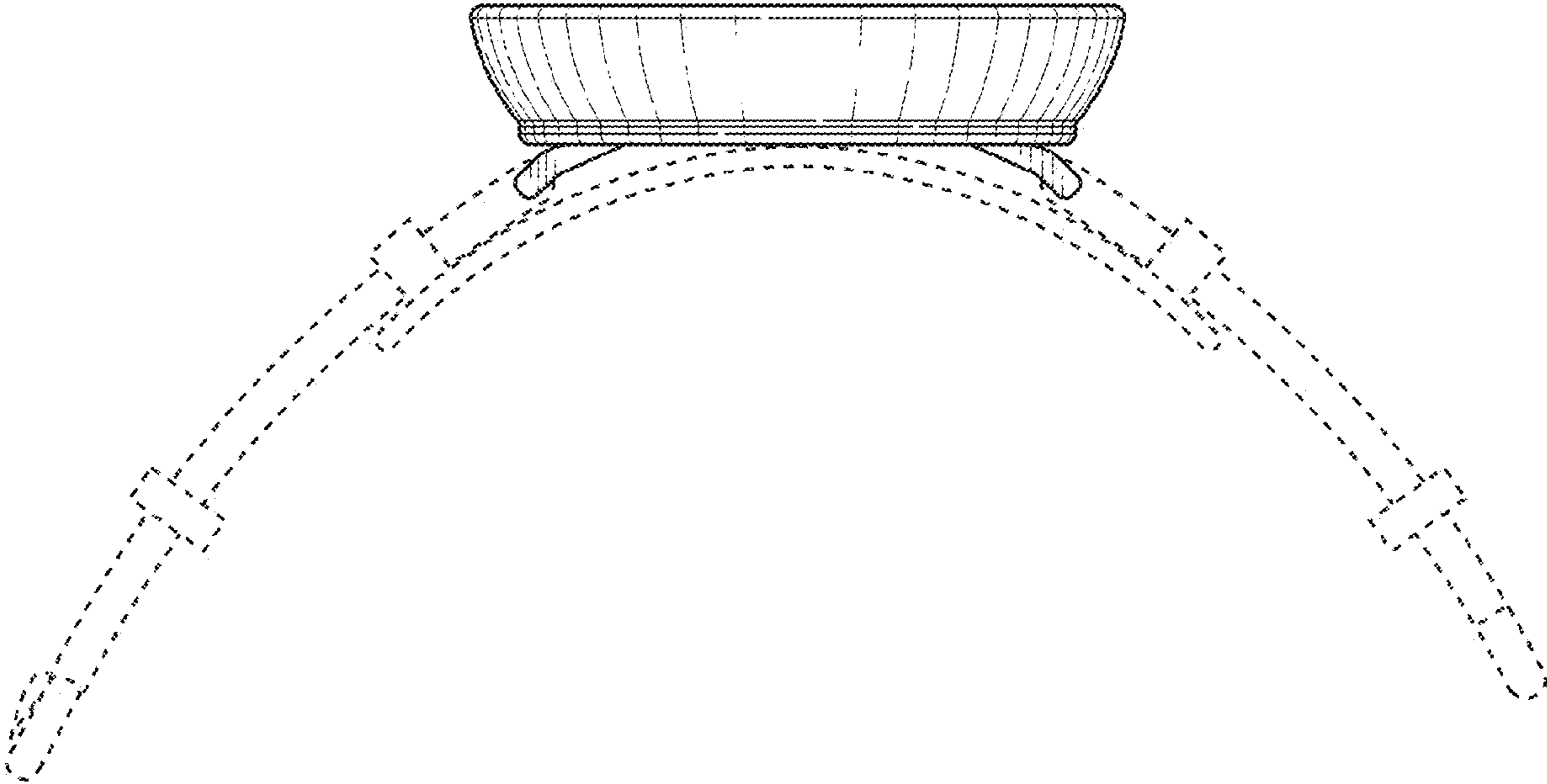


FIG. 3

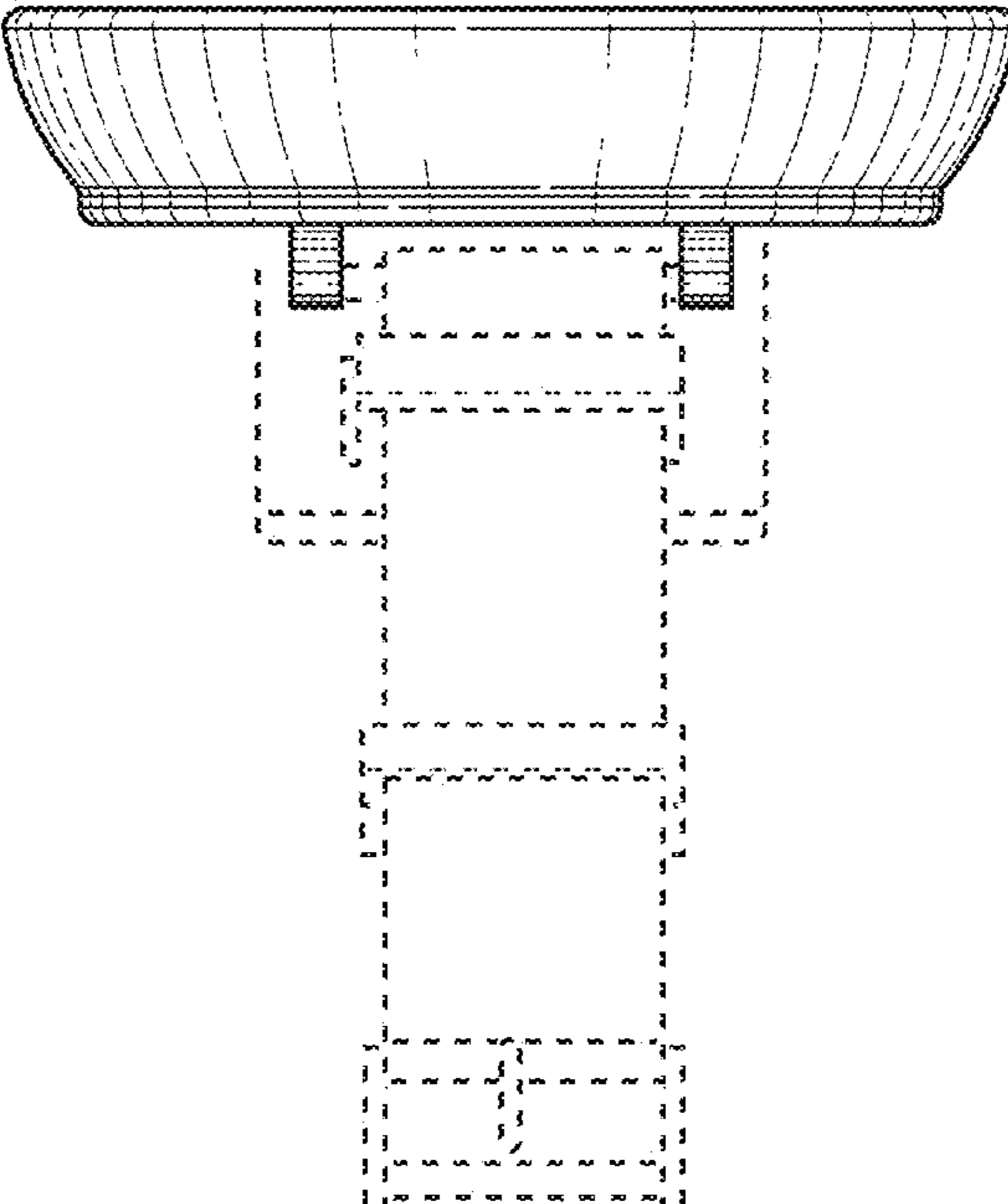


FIG. 4

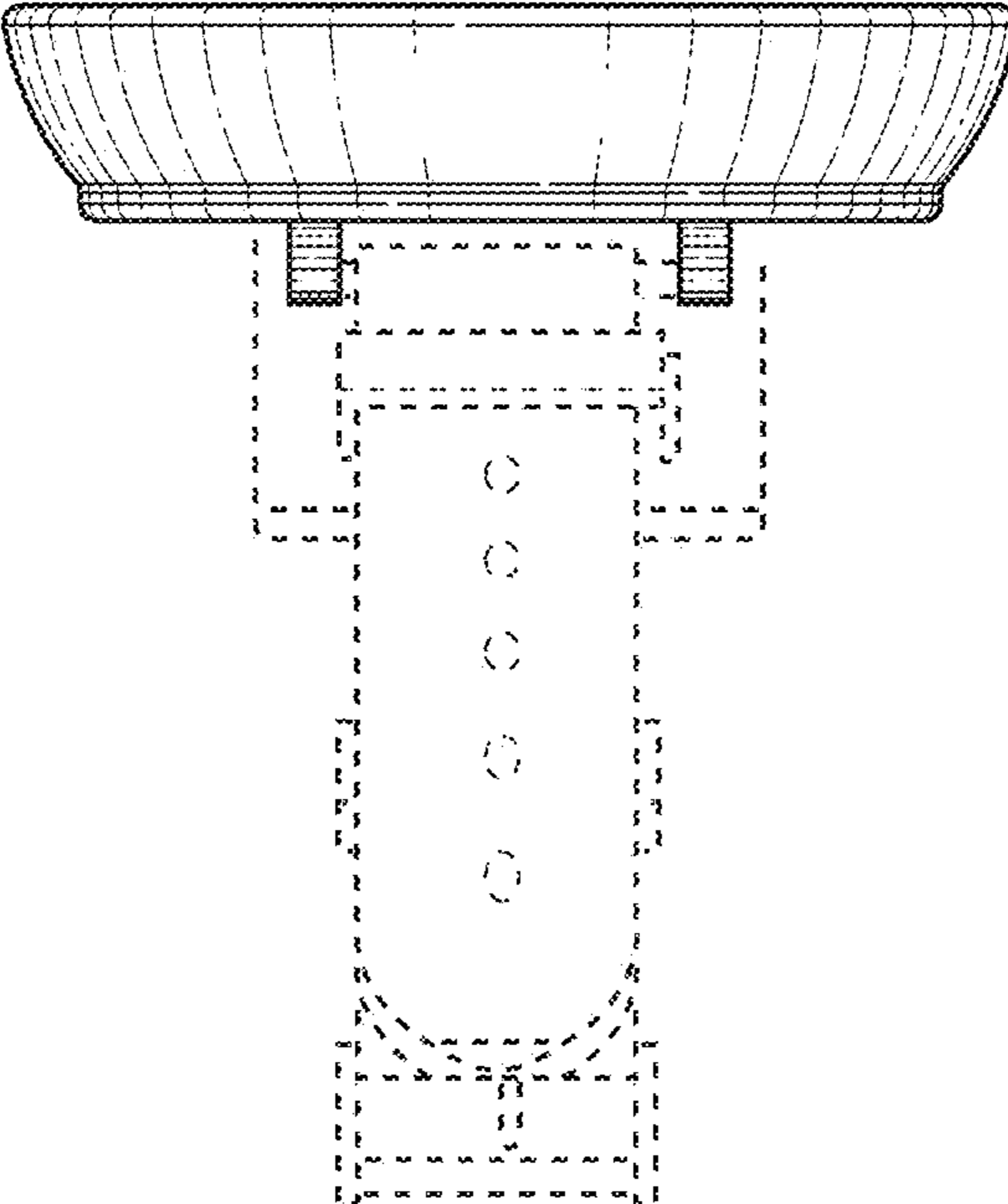


FIG. 5

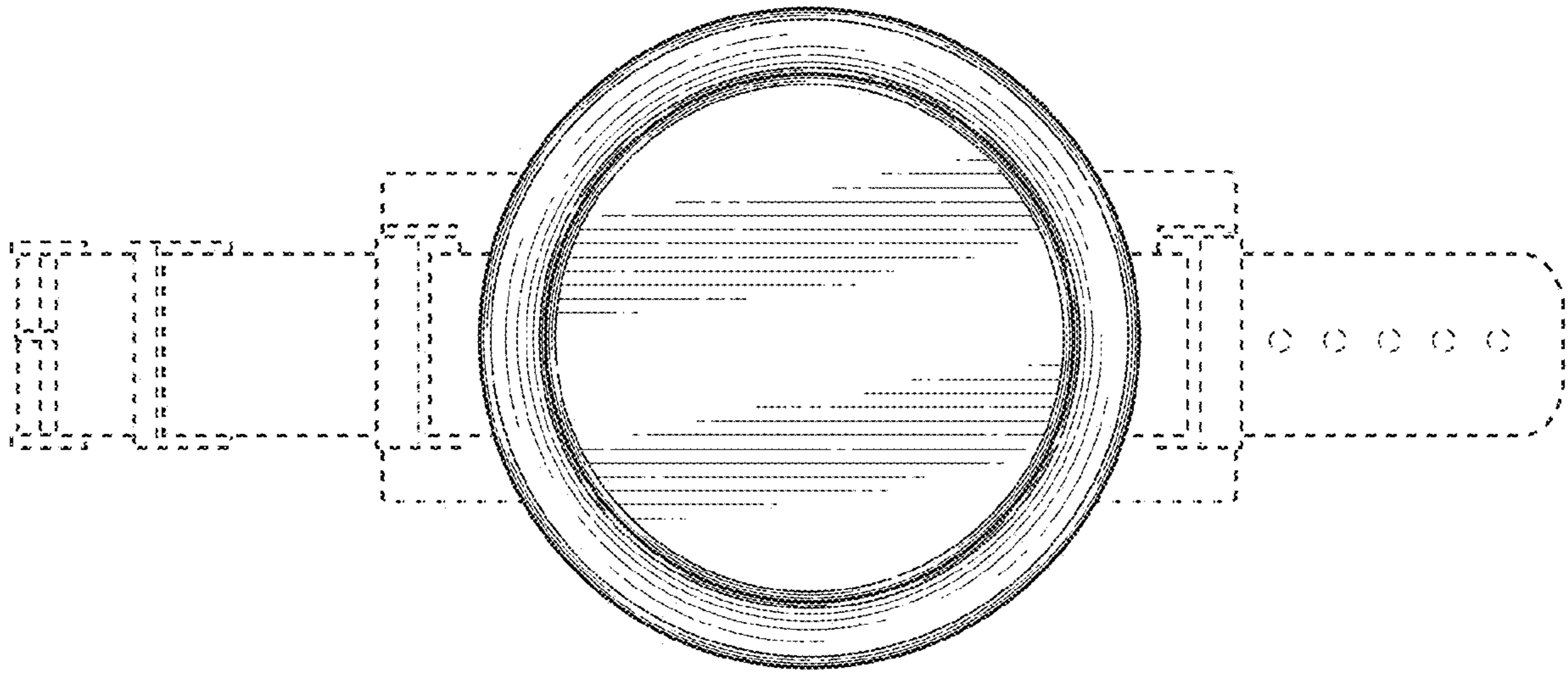


FIG. 6

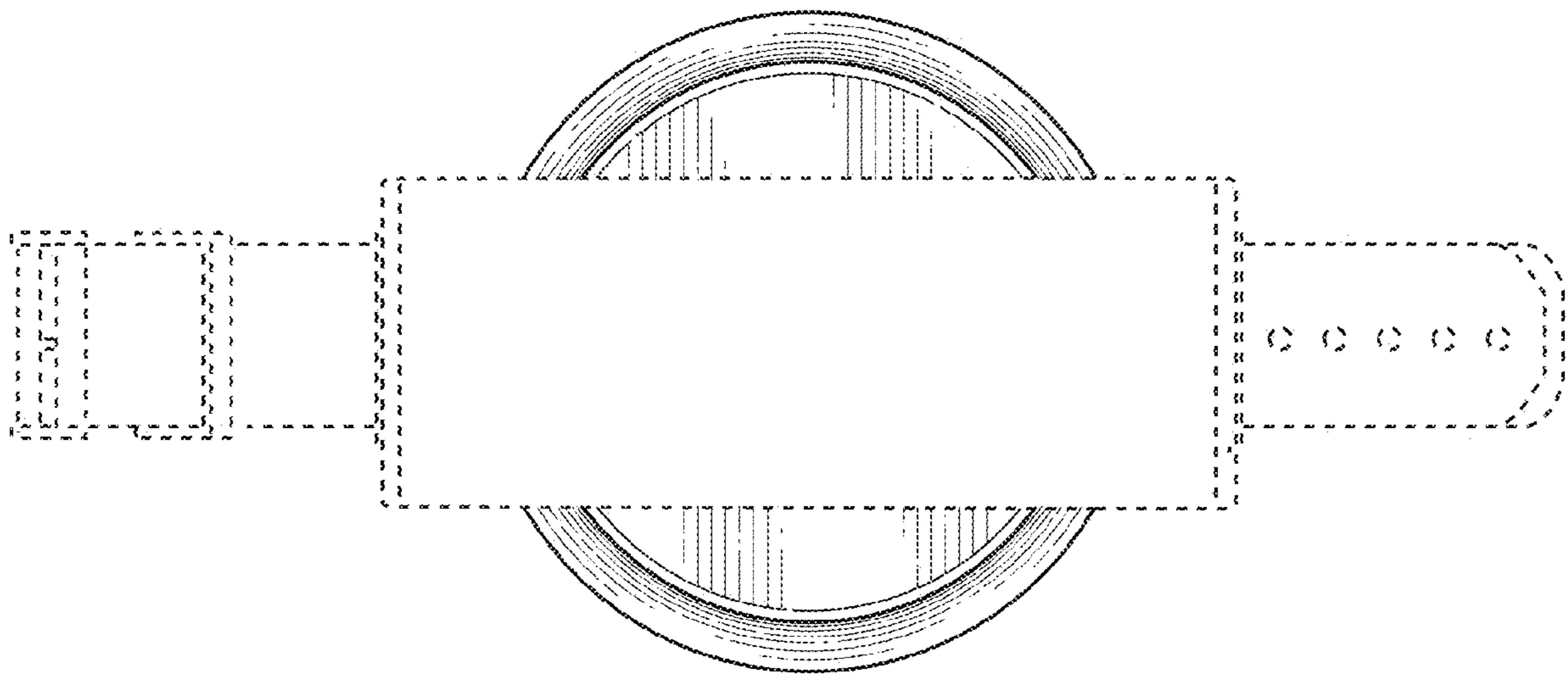


FIG. 7