

US00D956411S

(12) **United States Design Patent** (10) **Patent No.:** **US D956,411 S**
Jin (45) **Date of Patent:** **** Jul. 5, 2022**

(54) **DIAPER BAG**

FOREIGN PATENT DOCUMENTS

(71) Applicant: **Jiang Jin**, Zhejiang (CN)

CN 305364155 * 9/2019
CN 305942257 * 7/2020

(72) Inventor: **Jiang Jin**, Zhejiang (CN)

(Continued)

(**) Term: **15 Years**

OTHER PUBLICATIONS

(21) Appl. No.: **29/756,353**

Orbisify Diaper Bag Backpack, available at orbisify.com, earliest customer review date May 2, 2019 [online], site visited Apr. 13, 2022, available from the internet URL: <https://orbisify.com/product/orbisify-diaper-bag-backpack/> (Year: 2019).*

(22) Filed: **Oct. 27, 2020**

(Continued)

(51) **LOC (13) Cl.** **03-01**

(52) **U.S. Cl.**

USPC **D3/217**

(58) **Field of Classification Search**

USPC D3/214–226, 230–233, 242–244, 254
CPC A45F 3/00; A45F 3/005; A45F 3/02; A45F 3/04; A45F 3/042; A45F 3/047; A45F 3/06; A45F 3/08; A45F 3/10; A45F 2003/001; A45F 2003/002; A45F 2003/003; A45F 2003/006; A45F 2003/007; A45F 2003/008; A45F 2003/025; A45F 2003/045; A45F 2200/00; A45F 2200/05; A45F 2200/0525; A45F 2200/0533

See application file for complete search history.

Primary Examiner — S. Bryan Reinholdt, Jr.

Assistant Examiner — Jillian Mazzola

(74) *Attorney, Agent, or Firm* — ScienBiziP, P.C.

(57)

CLAIM

The ornamental design for a diaper bag, as shown and described.

DESCRIPTION

FIG. 1 is a front and top perspective view of a diaper bag, showing my design.

FIG. 2 is a rear and bottom perspective view thereof.

FIG. 3 is a front elevation view thereof.

FIG. 4 is a rear elevation view thereof.

FIG. 5 is a left side elevation thereof.

FIG. 6 is a right side elevation thereof.

FIG. 7 is a top plan view thereof.

FIG. 8 is a bottom plan view thereof.

FIG. 9 is a perspective view of the diaper bag shown in an alternate configuration in an expanded state; and,

FIG. 10 is an exploded perspective view of the diaper bag shown in another alternate configuration in an expanded state with the expanded section turned over.

The broken lines in the drawings depict portions of the diaper bag that form no part of the claimed design.

(56)

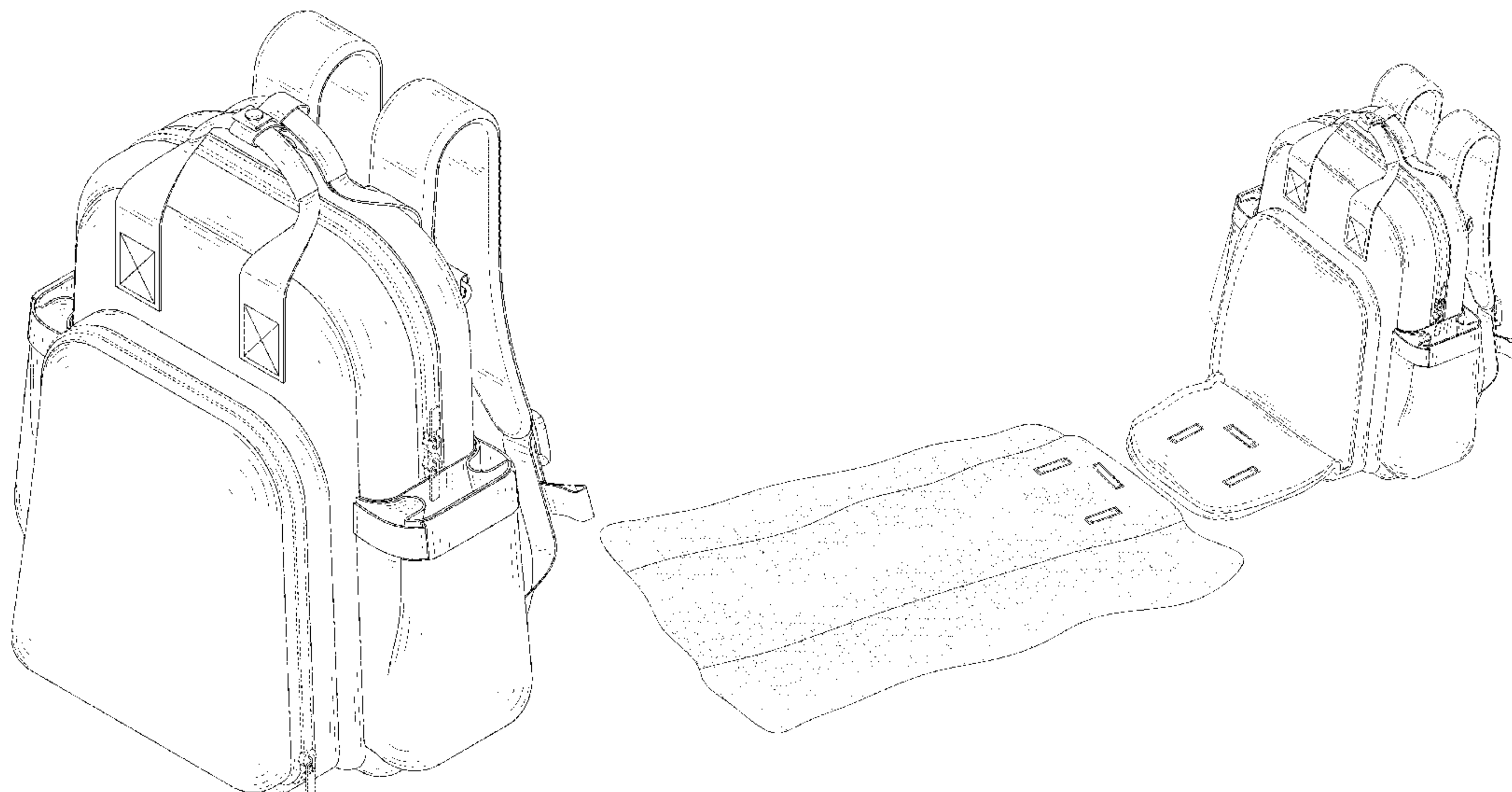
References Cited

U.S. PATENT DOCUMENTS

2,324,194 A * 7/1943 Campiglia A61F 17/00
D3/217
D323,237 S * 1/1992 Zoltie D3/217
D360,182 S * 7/1995 Lovett D3/217
D361,427 S * 8/1995 Taguchi D3/254
D382,110 S * 8/1997 Pollari D3/217
D387,198 S * 12/1997 Lehmann D3/217
D396,745 S * 8/1998 Peterson D3/216
D446,009 S * 8/2001 Mandell D3/217
D472,371 S * 4/2003 Pomare D3/217
6,659,320 B1 * 12/2003 Alves A45F 3/04
224/652

(Continued)

1 Claim, 10 Drawing Sheets



(56)

References Cited

U.S. PATENT DOCUMENTS

D485,061 S * 1/2004 Noell D3/226
 D485,432 S * 1/2004 Desrochers D3/217
 6,712,249 B2 * 3/2004 Magnusson H04R 5/023
 224/652
 D488,926 S * 4/2004 Domotor D3/246
 D500,590 S * 1/2005 Sachen D3/216
 D505,258 S * 5/2005 Bird D3/217
 D506,865 S * 7/2005 Homsher D3/254
 D673,362 S * 1/2013 Presman D3/217
 D698,542 S * 2/2014 January D3/217
 D714,541 S * 10/2014 Anderson D3/217
 D742,631 S * 11/2015 Kim D3/217
 D819,959 S * 6/2018 Choi D3/217
 D851,393 S * 6/2019 Carter D3/217
 D856,662 S * 8/2019 Breines D3/217
 D861,329 S * 10/2019 Wei D3/217
 D879,464 S * 3/2020 Vario, Jr. D3/217
 D880,147 S * 4/2020 Sanz D3/217
 D885,042 S * 5/2020 Li D3/217
 D891,091 S * 7/2020 Baldemor D3/217
 D896,504 S * 9/2020 Li D3/217
 D896,505 S * 9/2020 Yuan D3/217
 D898,359 S * 10/2020 Ho D3/217
 D919,962 S * 5/2021 Shi D3/217
 D922,762 S * 6/2021 He D3/217
 D927,174 S * 8/2021 Dai D3/217
 D941,014 S * 1/2022 Ren D3/217
 D945,148 S * 3/2022 Liao D3/217
 2011/0314608 A1 * 12/2011 Rovin A47D 5/006
 5/655
 2019/0082817 A1 * 3/2019 Ji A45F 3/04
 2022/0039542 A1 * 2/2022 McGrath A45C 3/004

FOREIGN PATENT DOCUMENTS

CN 306674944 * 7/2021
 GB 6137147 * 5/2021
 GB 6159617 * 9/2021

OTHER PUBLICATIONS

Diaper Backpack, available at babylist.com, earliest customer review date Jul. 1, 2021 [online], site visited Apr. 13, 2022, available from the internet URL: <https://www.babylist.com/gp/product-of-the-north-product-of-the-north-x-babylist-sustainable-elkin-diaper-backpack/21404/118228> (Year: 2021).*

Raki Inc Unisex Diaper Bag Backpack, available at amazon.in, earliest date available Jan. 10, 2020 [online], site visited Apr. 13, 2022, available from the internet URL: <https://www.amazon.in/Unisex-Diaper-Bag-Backpack-Multi-Function/dp/B07SMFH2CZ> (Year: 2020).*

Pianist Diaper Bag Backpack, available at amazon.ae, earliest customer review date Mar. 30, 2021 [online], site visited Apr. 13, 2022, available from the internet URL: <https://www.amazon.ae/PIANIST-Backpack-Capacity-Multi-Function-Waterproof/dp/B089CW3JCK?th=1> (Year: 2021).*

Ibell Large Multi-Functional Diaper Bag Backpack, available at amazon.com, earliest customer review date Nov. 5, 2020 [online], site visited Apr. 13, 2022, available from the internet URL: <https://www.etsy.com/listing/872943632/ibell-large-multi-functional-diaper-bag?> (Year: 2020).*

* cited by examiner



FIG. 1



FIG. 2

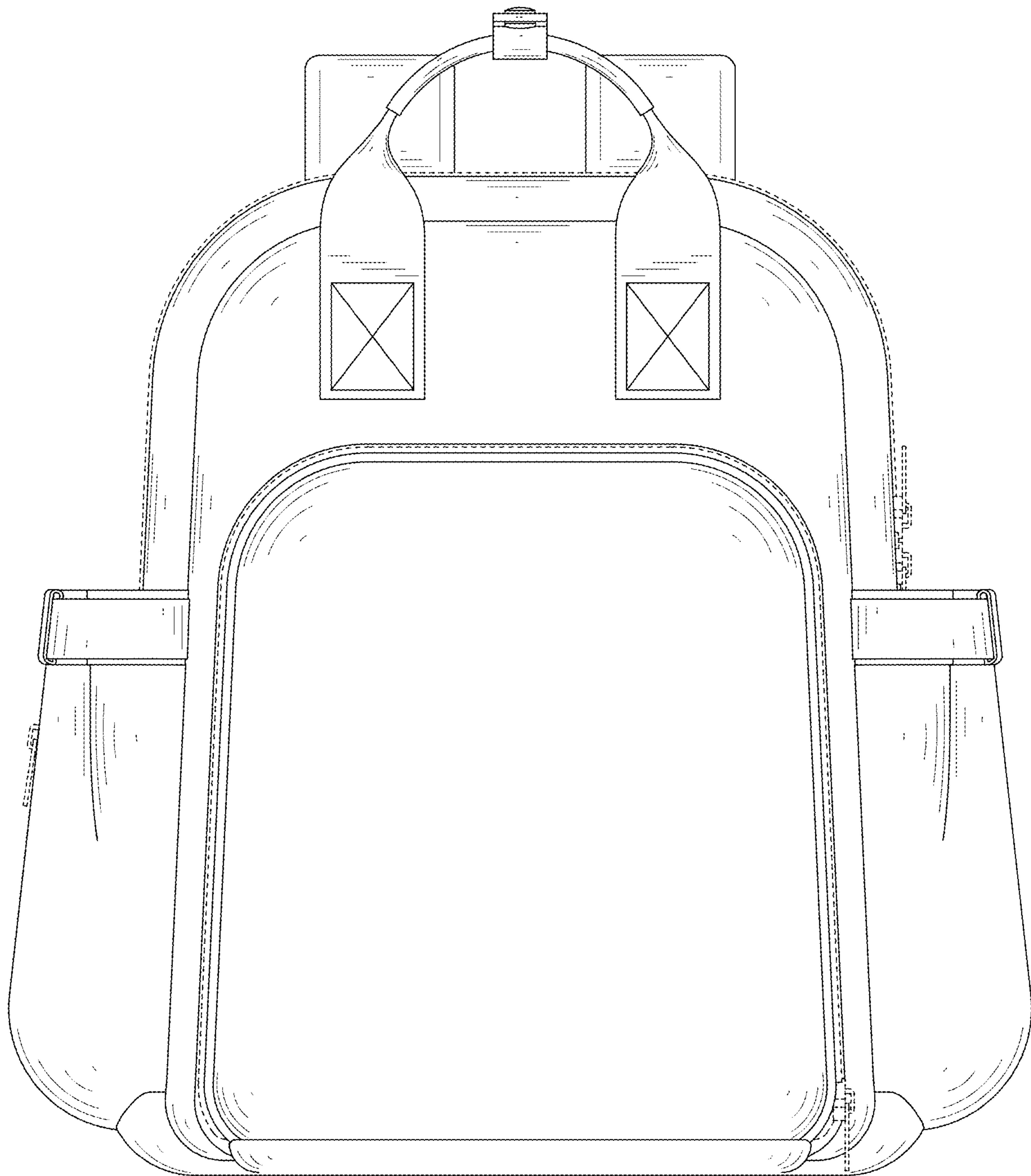


FIG. 3

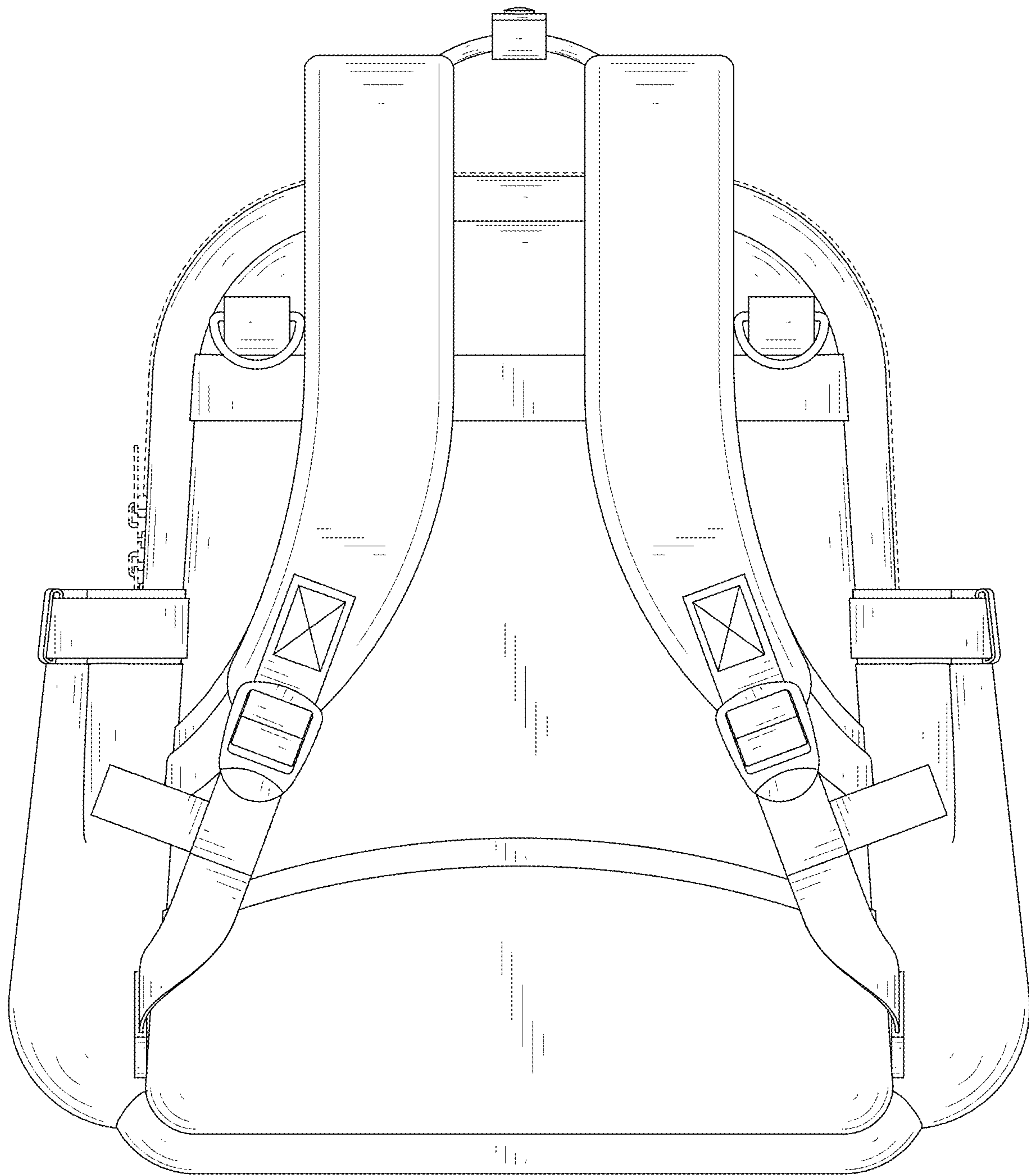


FIG. 4

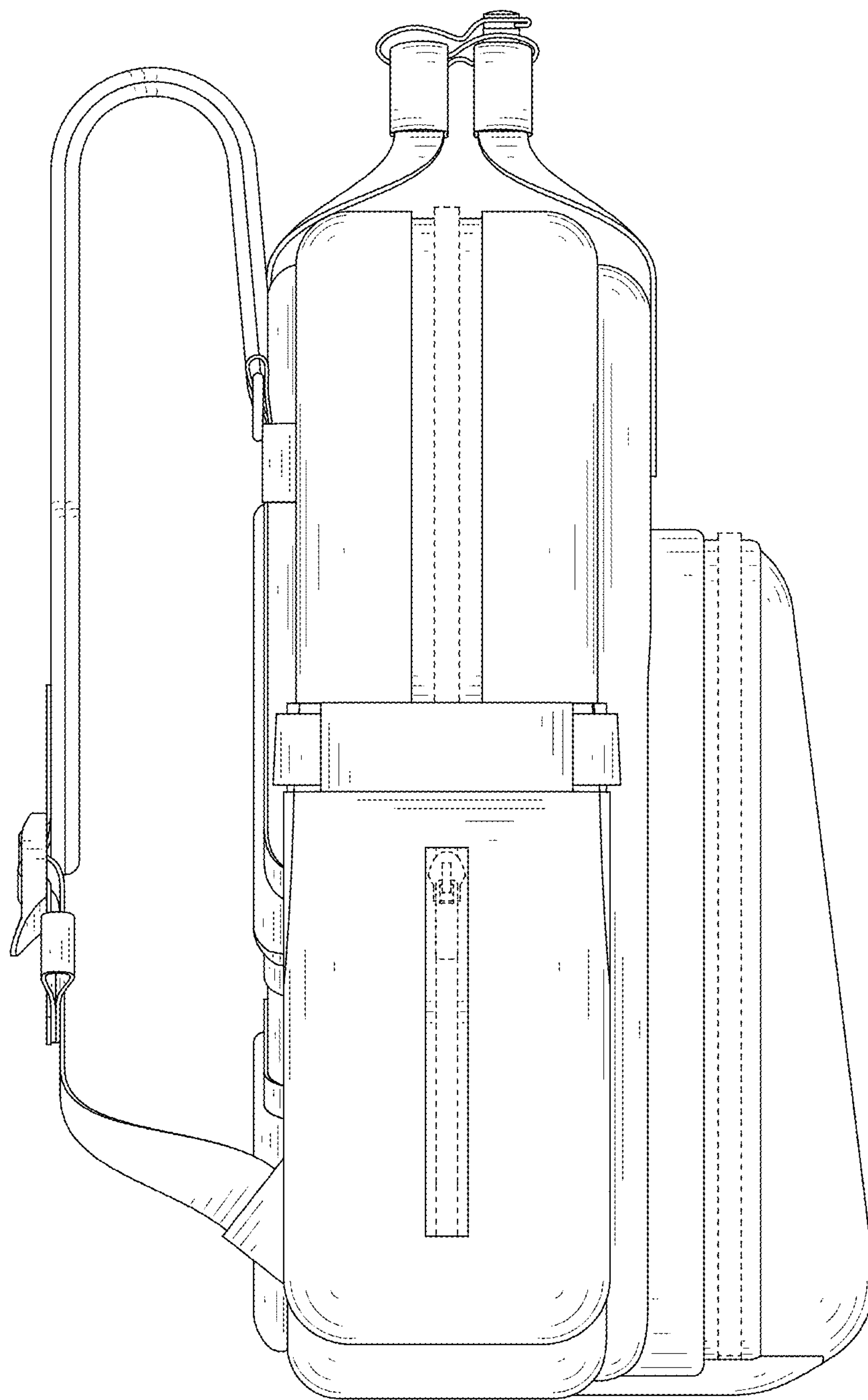


FIG. 5

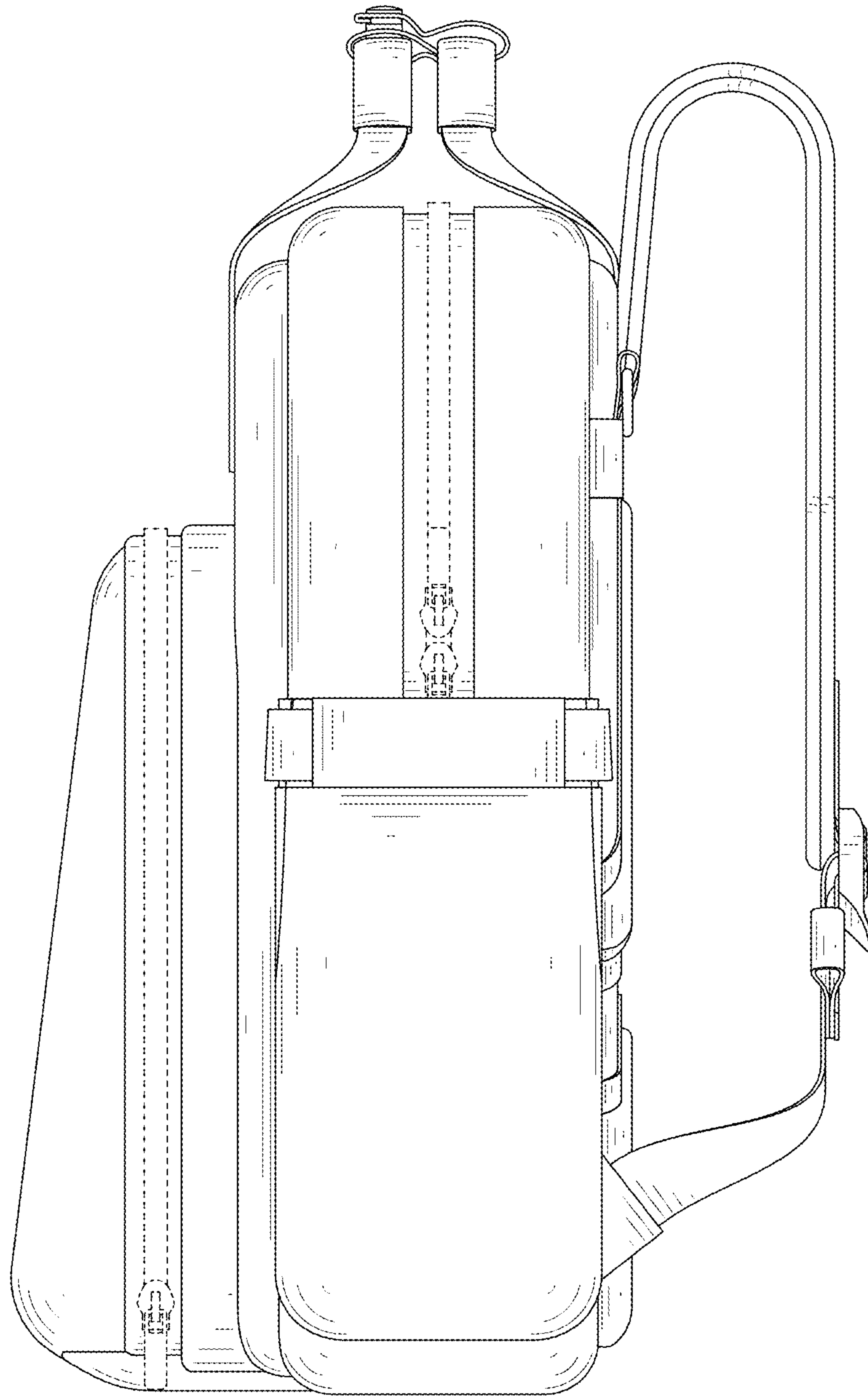


FIG. 6

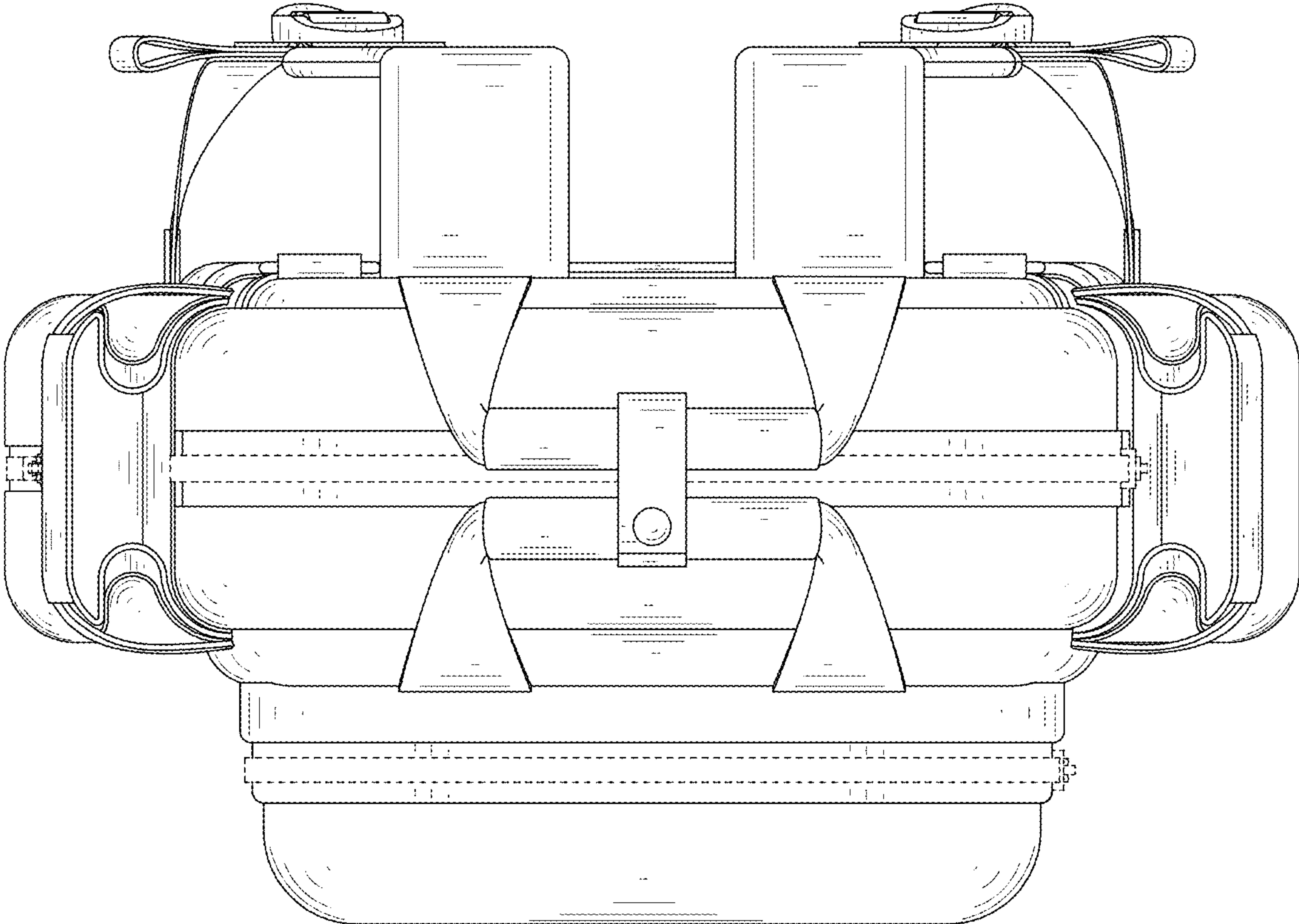


FIG. 7

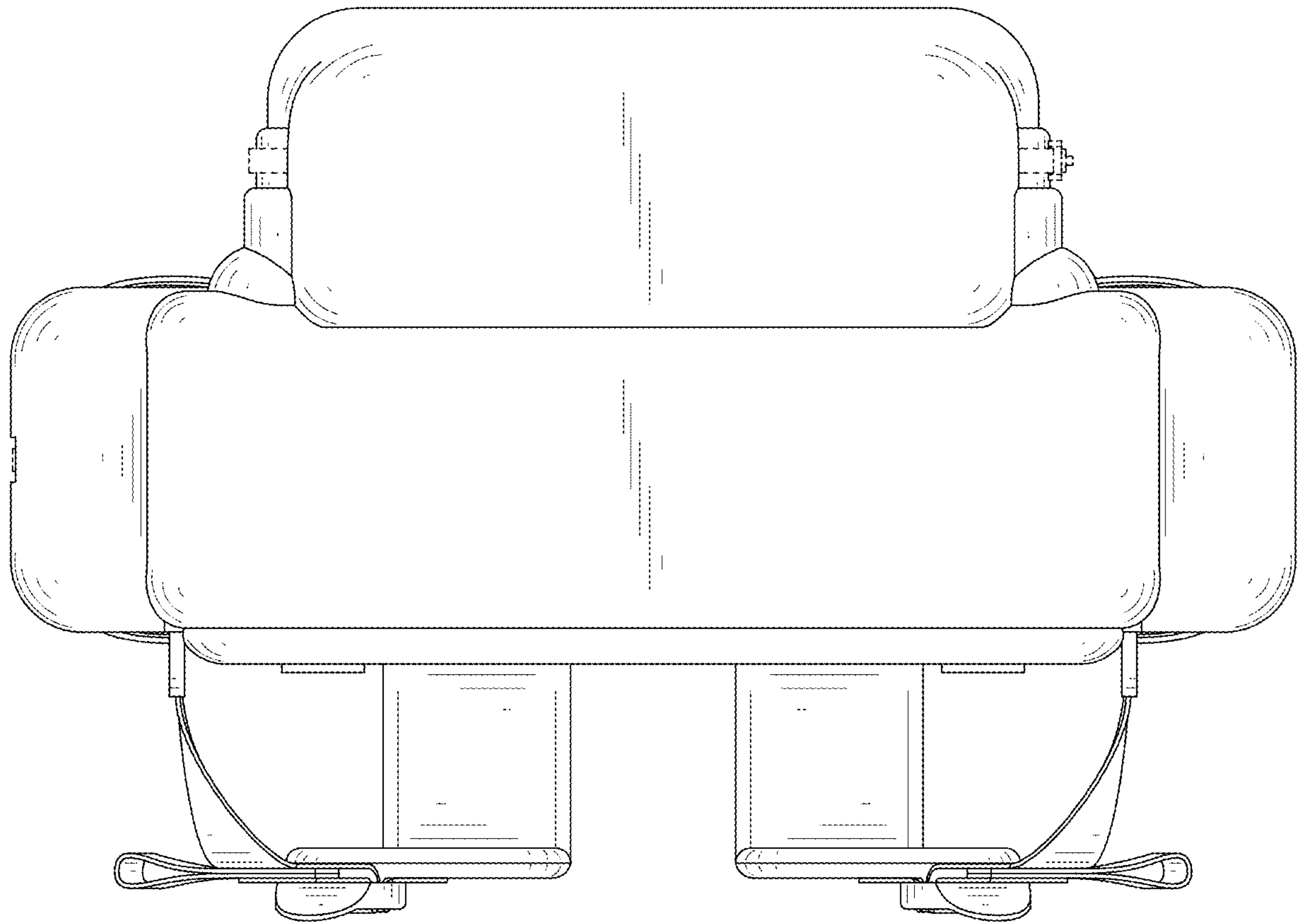


FIG. 8

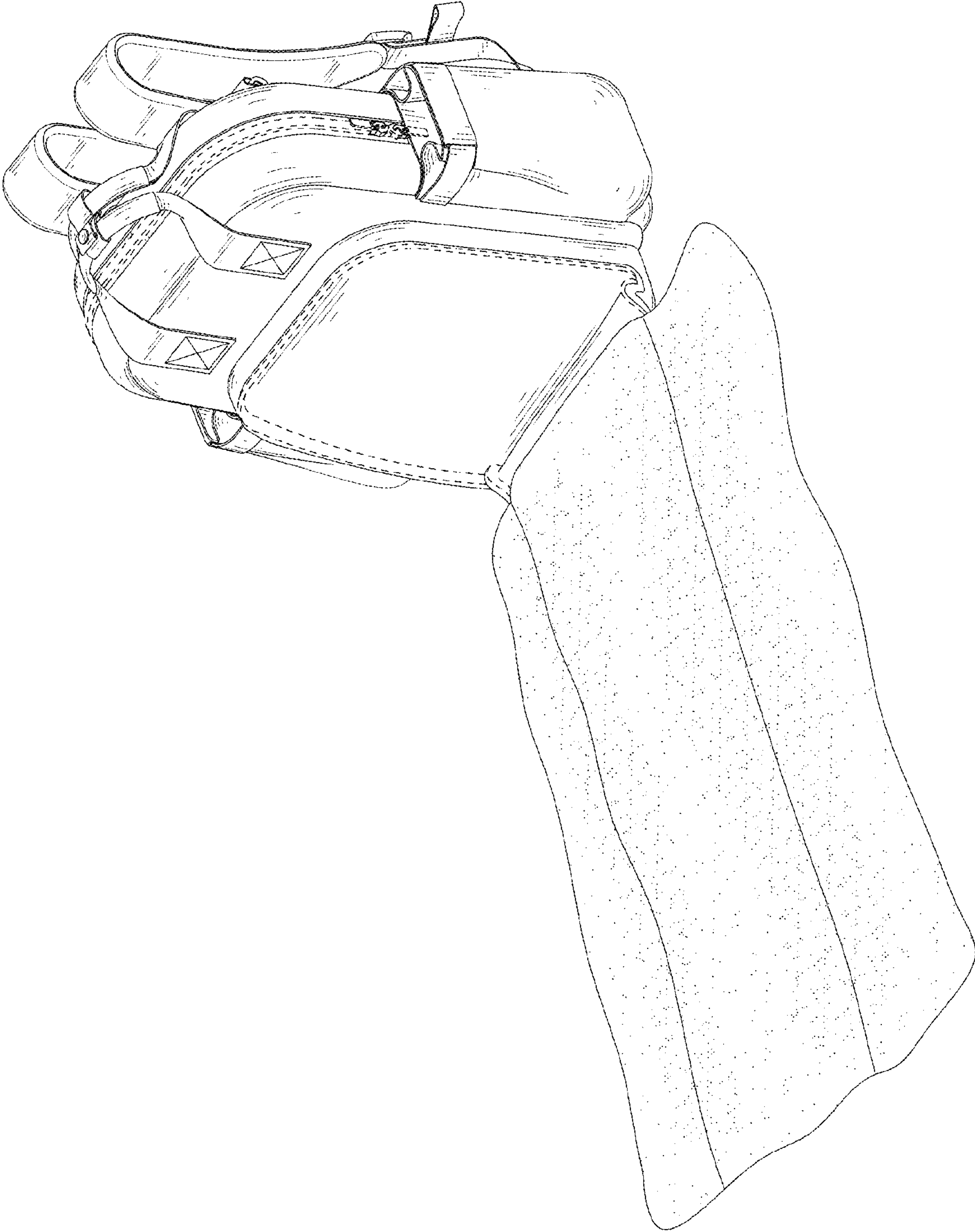


FIG. 9

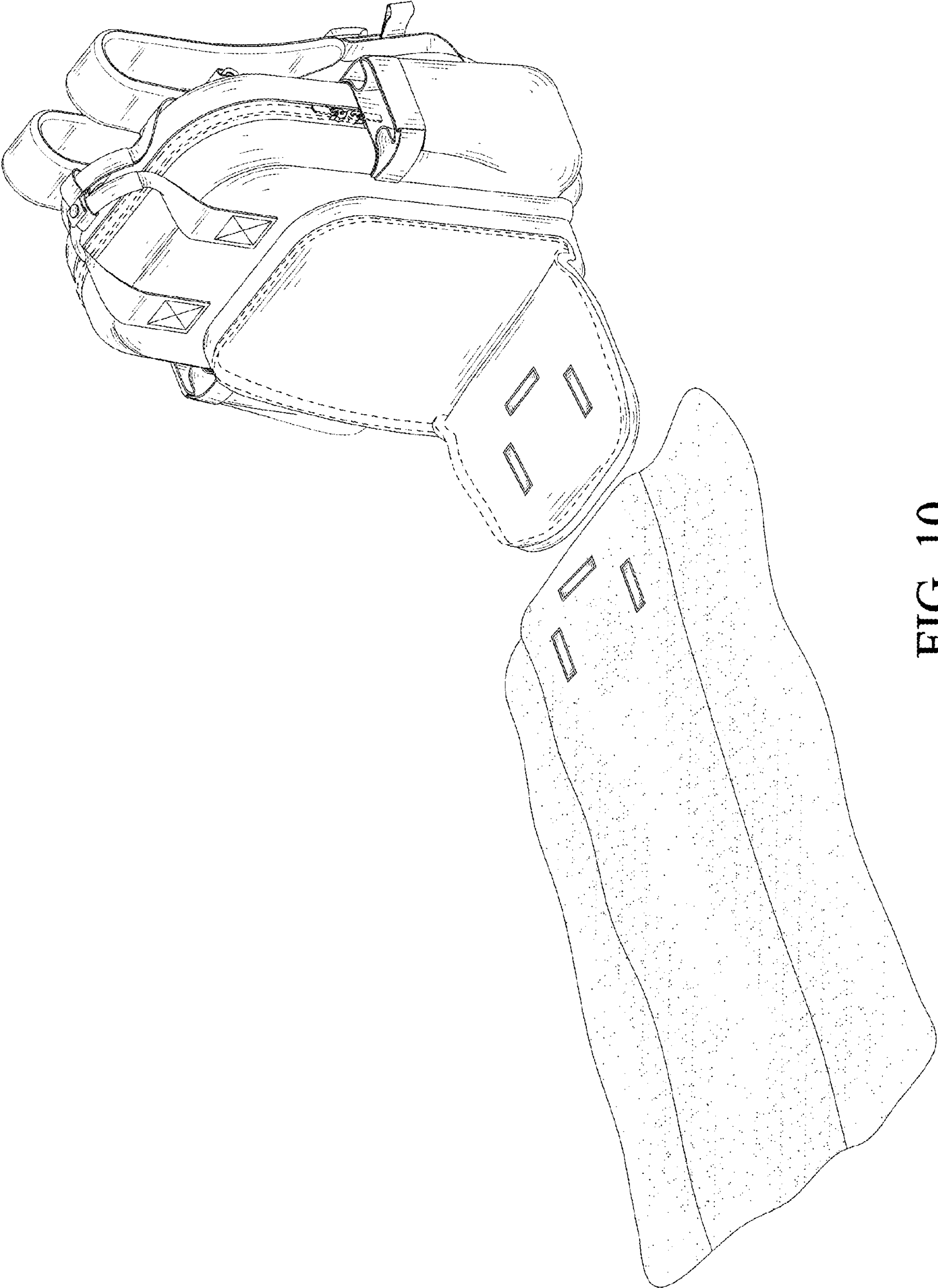


FIG. 10