

US00D956410S

(12) **United States Design Patent** (10) **Patent No.:** **US D956,410 S**
Waller (45) **Date of Patent:** **** Jul. 5, 2022**

(54) **BAG**
(71) Applicant: **LOUIS VUITTON MALLETIER**,
Paris (FR)
(72) Inventor: **Ian Waller**, Paris (FR)
(73) Assignee: **Louis Vuitton Malletier**, Paris (FR)
(**) Term: **15 Years**

D515,809 S * 2/2006 Perella D3/232
D528,792 S * 9/2006 Marttila D3/276
D551,853 S * 10/2007 Smeuninx D3/217
D603,157 S * 11/2009 Hutchinson D3/217
D758,070 S * 6/2016 Frohlich D3/232
D769,972 S * 10/2016 Thomson D19/88
D815,430 S * 4/2018 Nair D3/242
D920,663 S * 6/2021 Daubmeier D3/242
11,019,888 B2 * 6/2021 Newson A45C 13/103
2006/0144885 A1 * 7/2006 Smeuninx A45F 3/047
224/629

(21) Appl. No.: **29/698,355**
(22) Filed: **Jul. 16, 2019**

* cited by examiner

(30) **Foreign Application Priority Data**

Primary Examiner — Jennifer L Watkins
(74) *Attorney, Agent, or Firm* — Fross Zelnick Lehrman
& Zissu, P.C.; Charles T. J. Weigell, Esq.

Jan. 16, 2019 (FR) 2019-0216

(51) **LOC (13) Cl.** **03-01**
(52) **U.S. Cl.**
USPC **D3/217**

(57) **CLAIM**

(58) **Field of Classification Search**
USPC D3/216, 217, 273, 239, 240, 274, 276
CPC A45F 3/08; A45F 2003/125; A45F
2200/0575; A45F 3/14; A45F 5/021;
A45F 2003/001; A45F 2003/045; A45F
2003/146; A45F 2004/026; A45F 3/02;
A45F 3/04; A45F 3/047; A45F 3/10;
A45C 13/103; A45C 13/18; A45C 11/20;
A45C 2009/007; A45C 5/00
See application file for complete search history.

The ornamental design for a bag, as shown and described.

DESCRIPTION

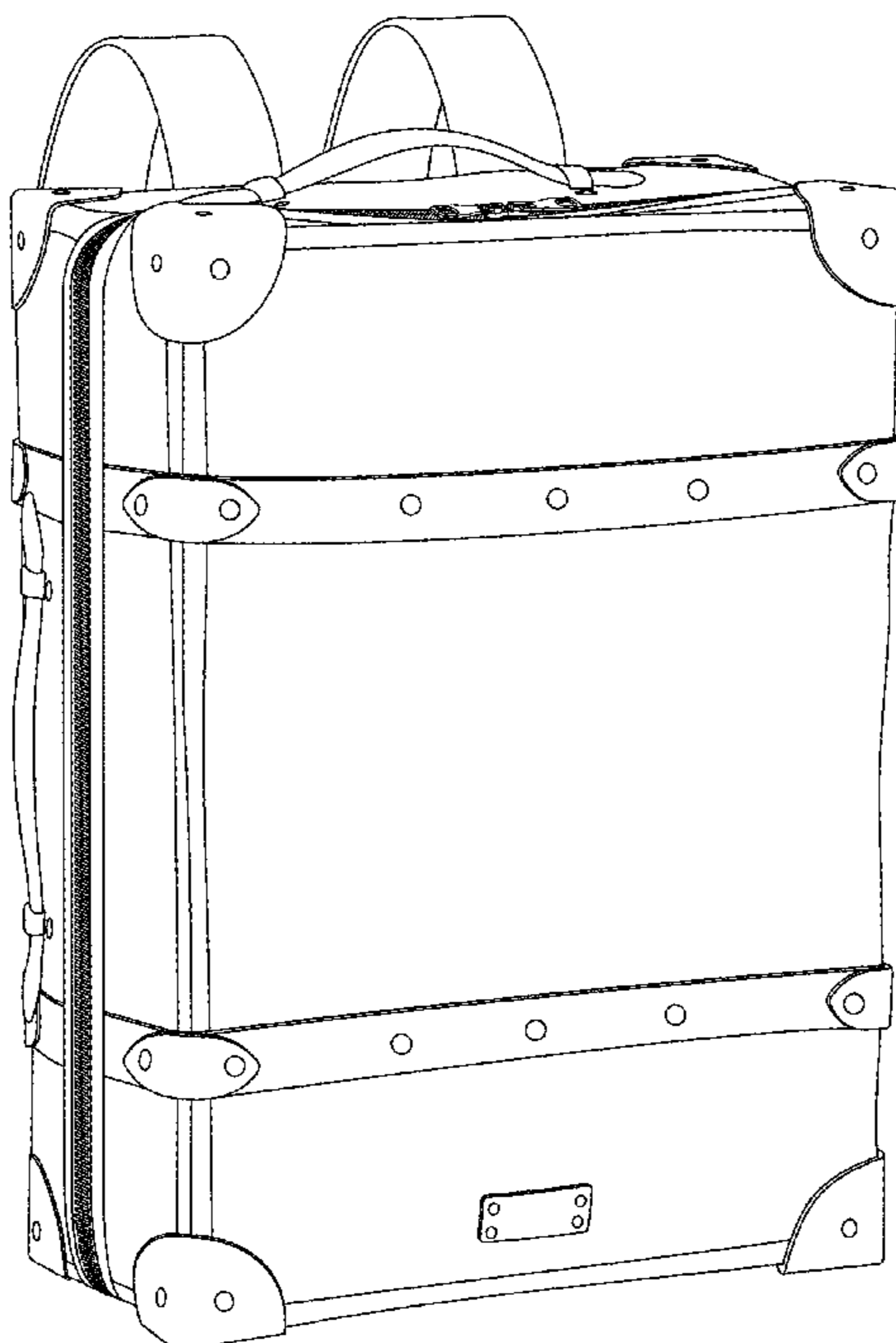
(56) **References Cited**

FIG. 1 is a front perspective view of a bag showing my new design;
FIG. 2 is a front view thereof;
FIG. 3 is a back view thereof;
FIG. 4 is a left side view thereof;
FIG. 5 is a right side view thereof;
FIG. 6 is a top view thereof; and,
FIG. 7 is a bottom view thereof.

U.S. PATENT DOCUMENTS

D287,429 S * 12/1986 Esslinger D3/292
D501,995 S * 2/2005 Perella D3/226

1 Claim, 7 Drawing Sheets



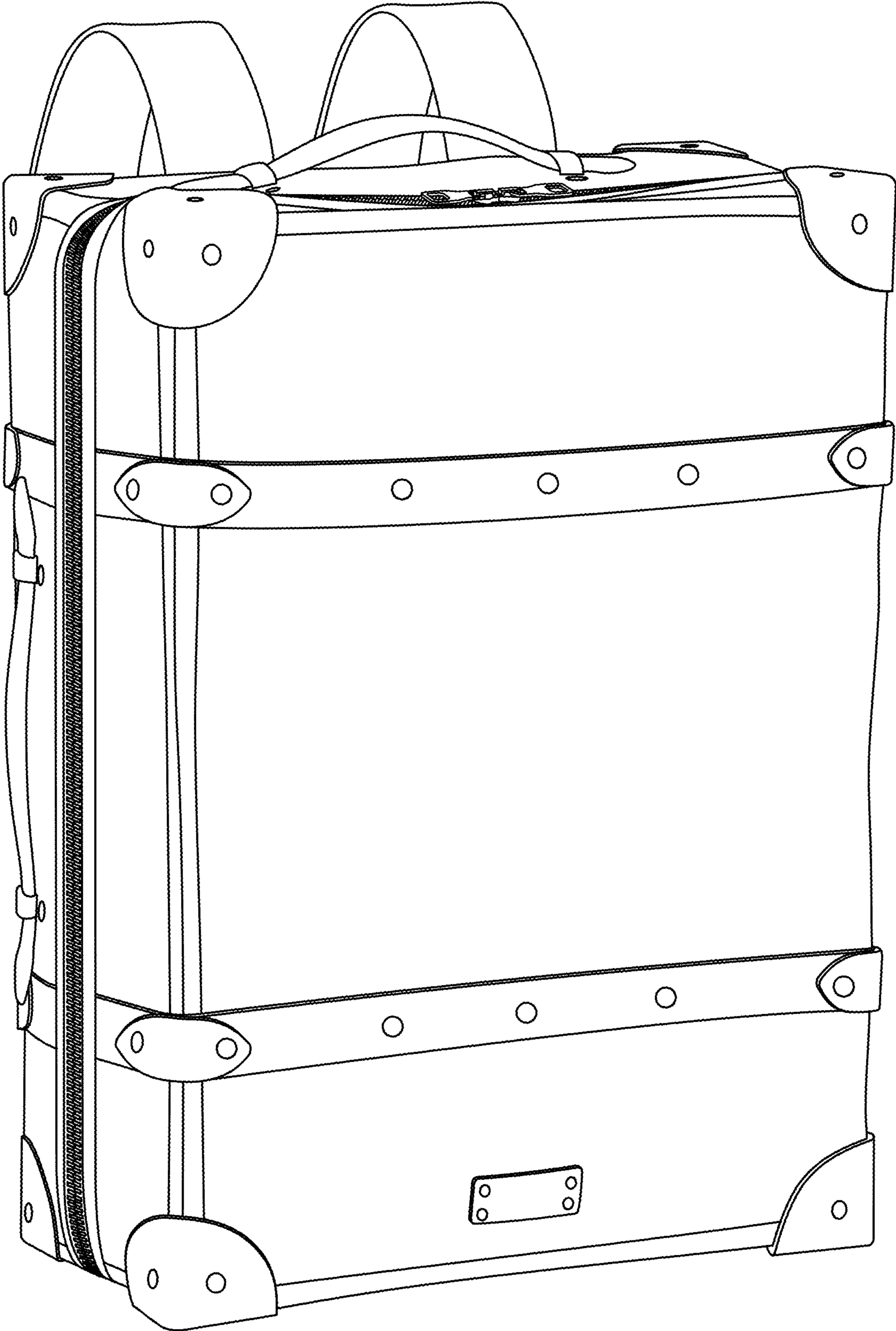


FIG. 1

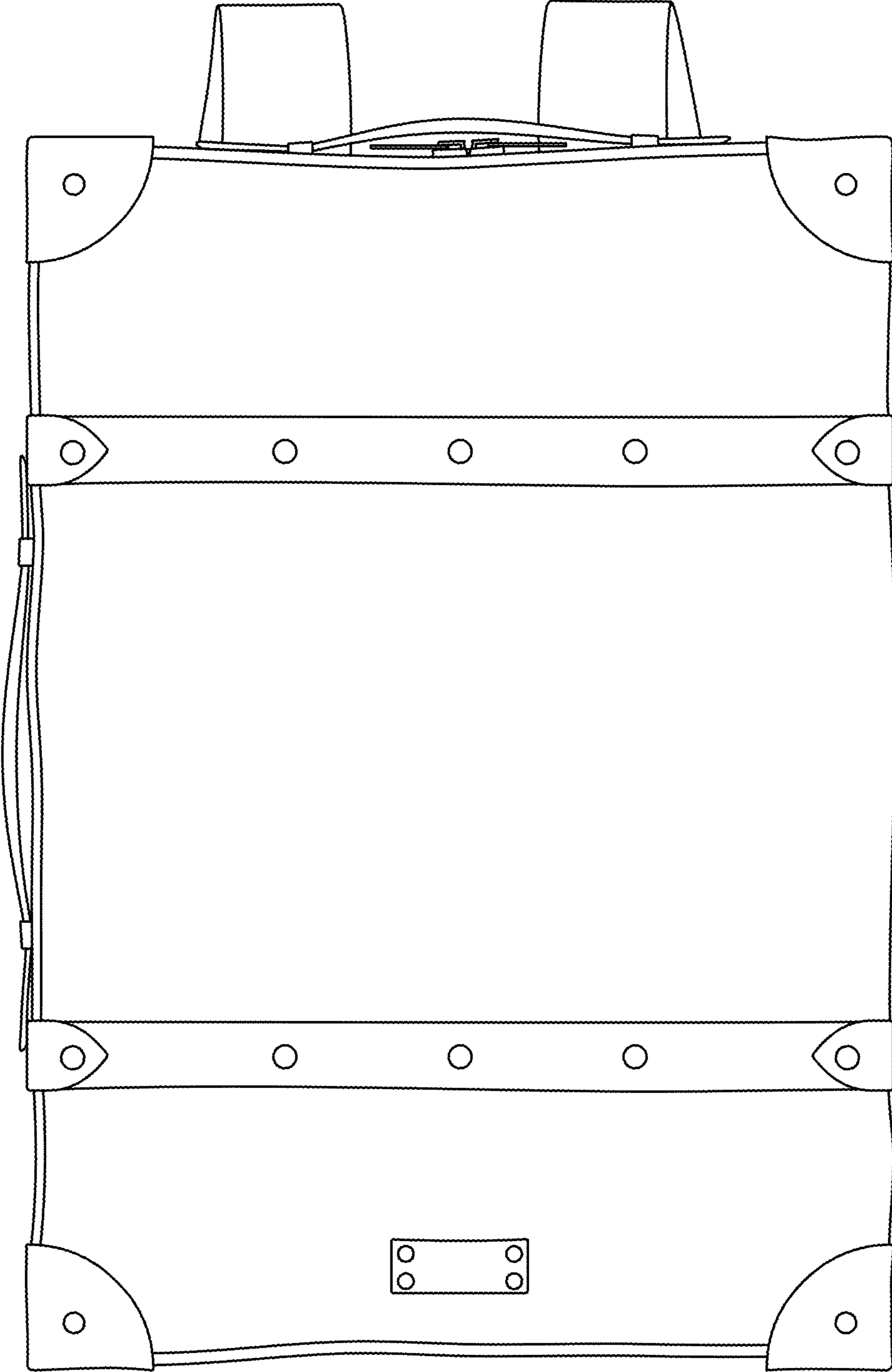


FIG. 2

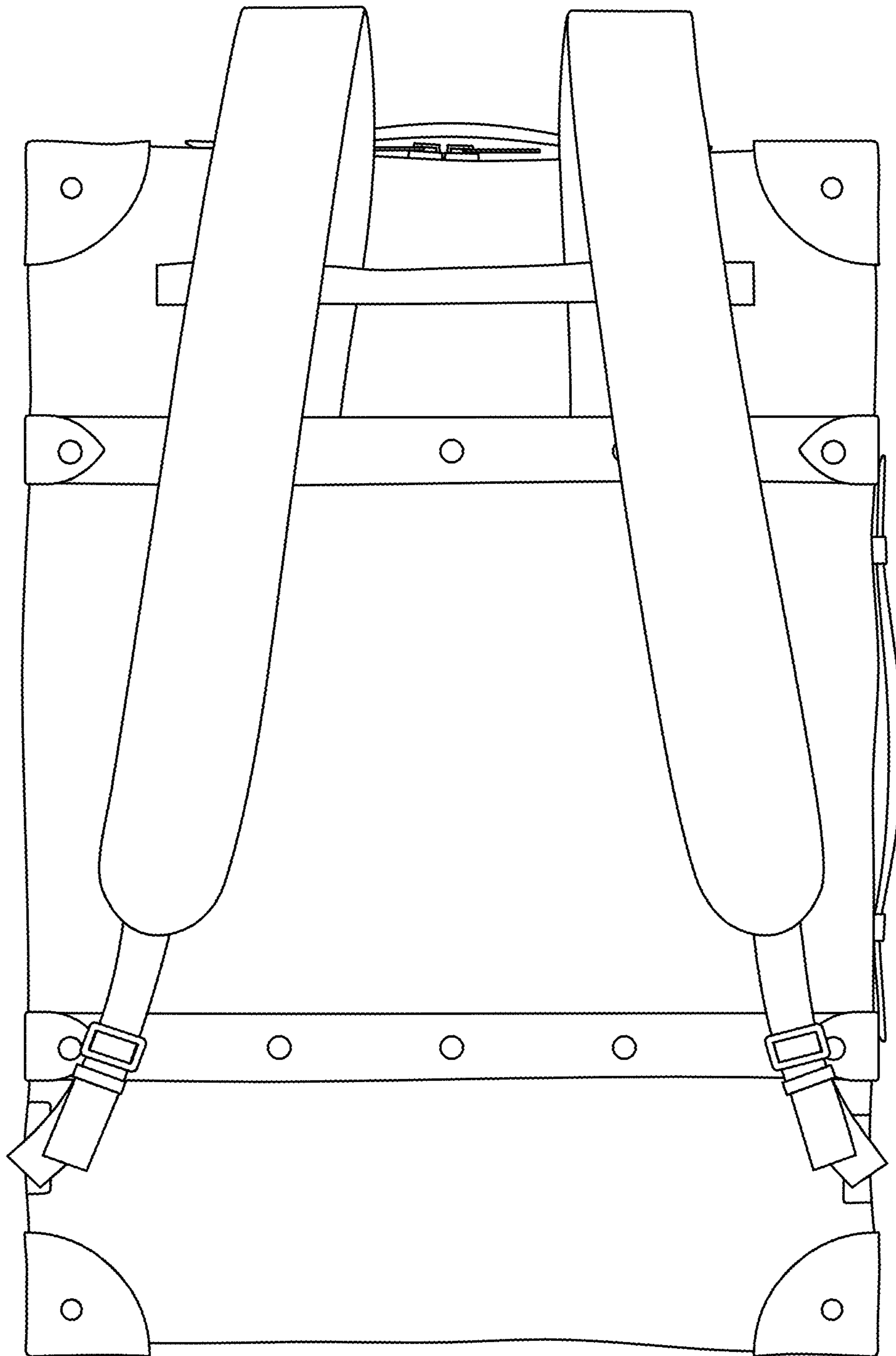


FIG. 3

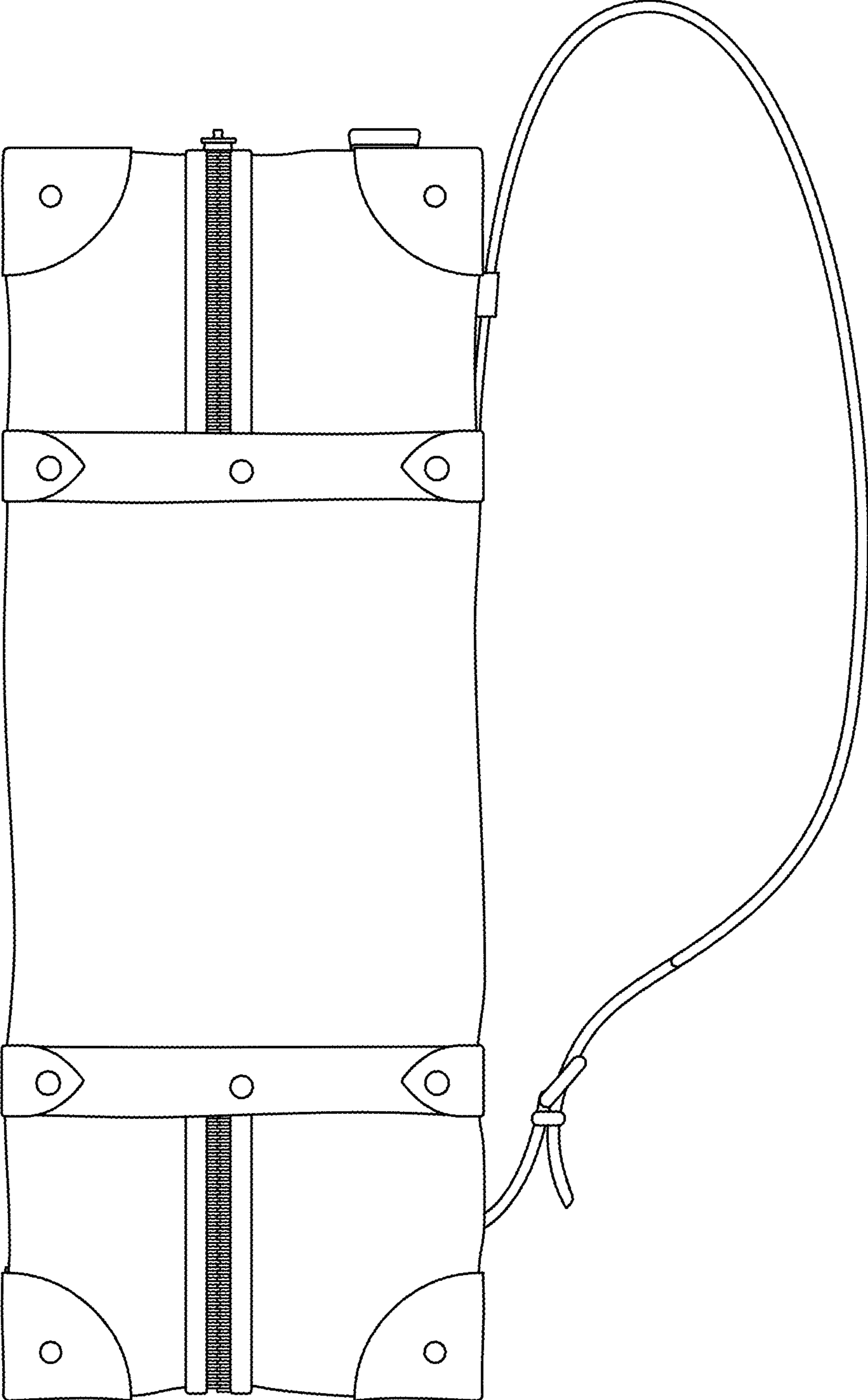


FIG. 4

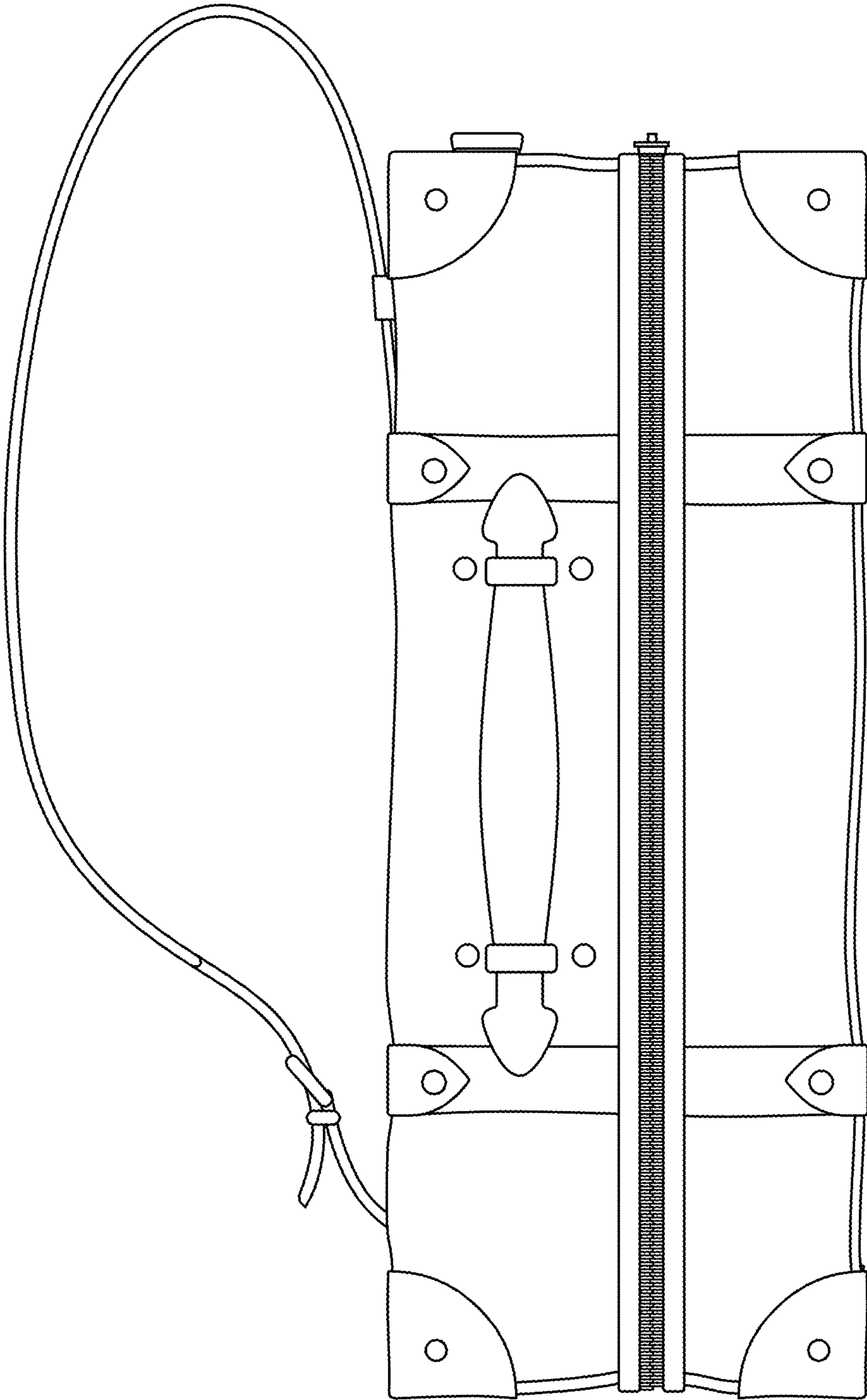


FIG. 5

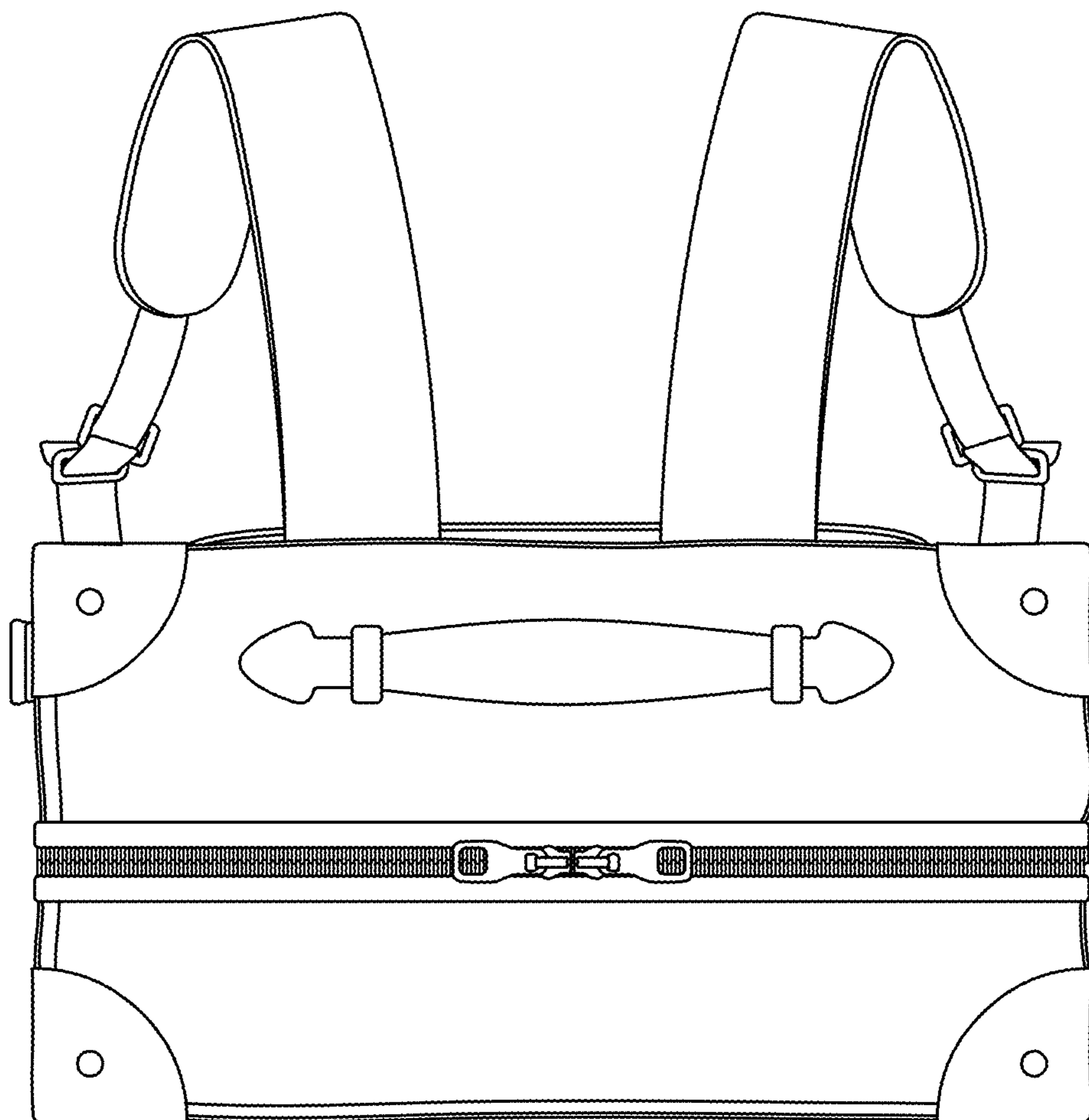


FIG. 6

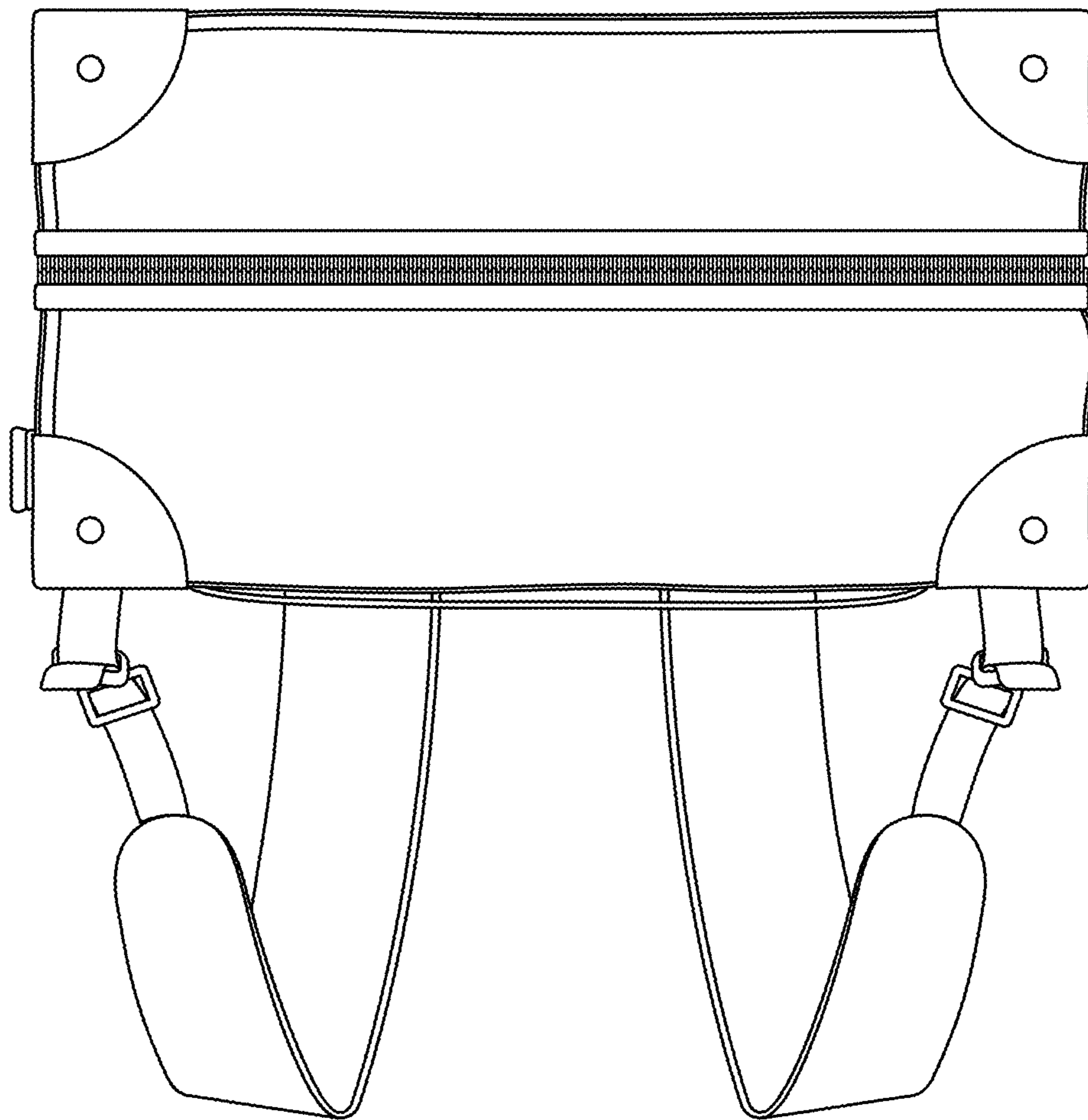


FIG. 7