



US00D956407S

(12) **United States Design Patent** (10) **Patent No.:** **US D956,407 S**  
**Ernst** (45) **Date of Patent:** **\*\* Jul. 5, 2022**

(54) **SHOE**

(71) Applicant: **PUMA SE**, Herzogenaurach (DE)

(72) Inventor: **Cornelia Ernst**, Nuremberg (DE)

(73) Assignee: **PUMA SE**, Herzogenaurach (DE)

(\*\*) Term: **15 Years**

(21) Appl. No.: **29/757,827**

(22) Filed: **Nov. 10, 2020**

**Related U.S. Application Data**

(63) Continuation of application No. 29/697,373, filed on Jul. 8, 2019, now Pat. No. Des. 904,739.

(51) **LOC (13) Cl.** ..... **02-04**

(52) **U.S. Cl.**  
USPC ..... **D2/960**; D2/947; D2/951; D2/954;  
D2/956; D2/957

(58) **Field of Classification Search**  
USPC ..... D2/902, 906, 908, 916, 918, 925,  
D2/946-962, 972, 977; 36/3 B, 22 R,  
36/24.5, 25 R, 28, 32 R, 34 R, 59 C,  
36/67 A, 103  
CPC ..... A43B 13/00; A43B 13/02; A43B 13/023;  
A43B 13/026; A43B 13/04; A43B 13/08;  
A43B 13/10; A43B 13/12; A43B 13/14;  
A43B 13/141; A43B 13/143; A43B  
13/16; A43B 13/18; A43B 13/181; A43B  
13/187; A43B 13/189; A43B 13/20; A43B  
13/22; A43B 13/223; A43B 13/24; A43B  
13/28; A43B 13/30; A43B 13/32; A43B  
13/34; A43B 13/36

See application file for complete search history.

(56) **References Cited**

**U.S. PATENT DOCUMENTS**

2,405,498 A	8/1946	Jon	
D294,537 S	3/1988	Le	
D297,185 S	8/1988	Berzak	
5,572,805 A	11/1996	Giese et al.	
5,575,089 A	11/1996	Giese et al.	
D435,334 S	12/2000	Wilson	
D495,477 S	9/2004	McClaskie	
D495,858 S	9/2004	McClaskie	
D499,535 S	12/2004	McClaskie	
D511,617 S	11/2005	Matis	
D518,284 S	4/2006	Chen	
D536,162 S	2/2007	McClaskie	
D616,639 S	6/2010	Larregain et al.	
D619,793 S	7/2010	Raysse	
D626,315 S	11/2010	Teteriatnikov	
D689,673 S *	9/2013	Kampff	D2/908
D711,084 S *	8/2014	Rabotin	D2/951
D712,645 S	9/2014	Bove	
D723,778 S	3/2015	Miner	

(Continued)

*Primary Examiner* — T Chase Nelson

(74) *Attorney, Agent, or Firm* — Quarles & Brady LLP

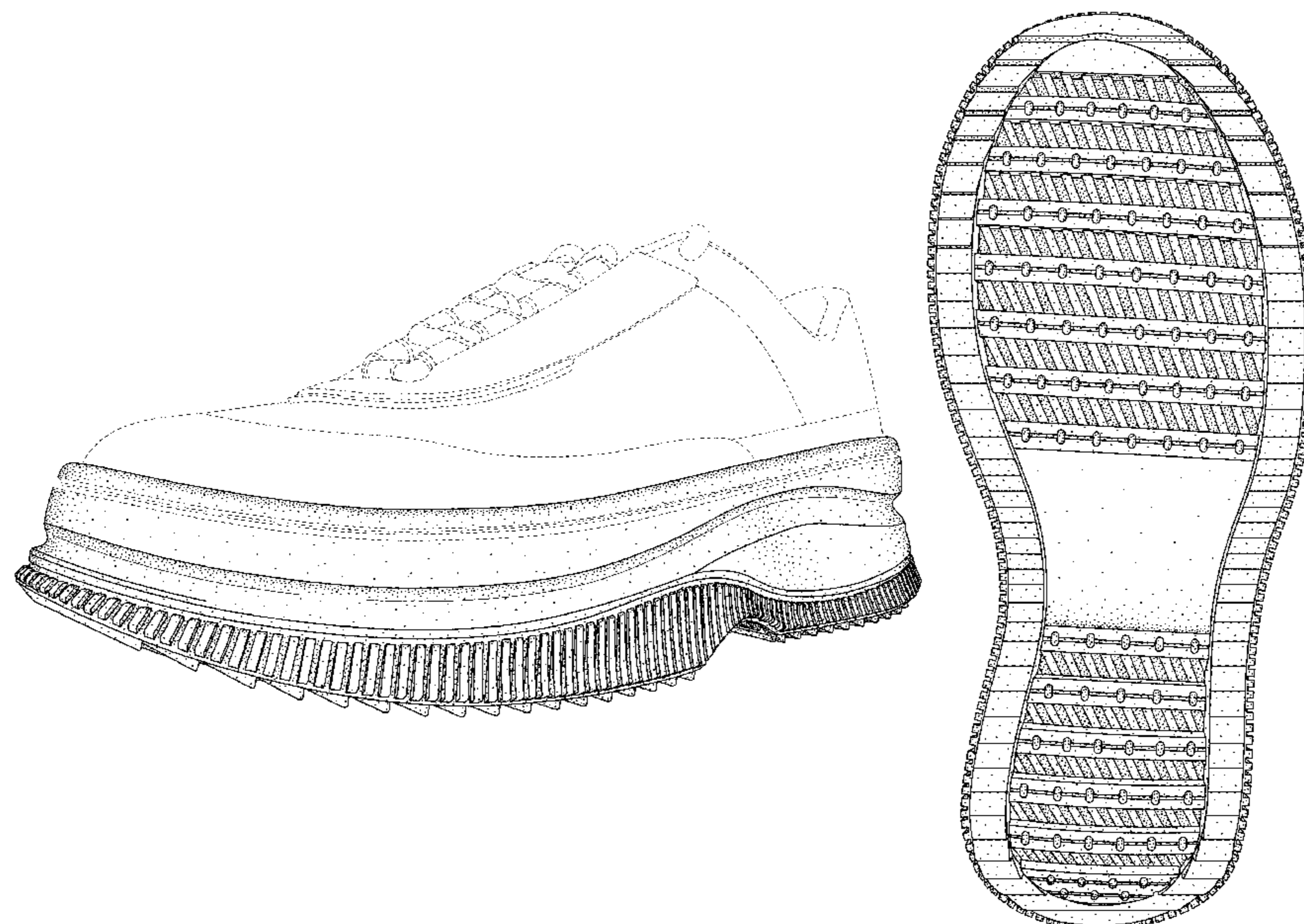
(57) **CLAIM**

The ornamental design for a shoe, as shown and described.

**DESCRIPTION**

FIG. 1 is a top, left, and front perspective view of an ornamental design for a shoe;  
FIG. 2 is a front elevational view of the shoe of FIG. 1;  
FIG. 3 is a rear elevational view of the shoe of FIG. 1;  
FIG. 4 is a left side elevational view of the shoe of FIG. 1;  
FIG. 5 is a right side elevational view of the shoe of FIG. 1;  
FIG. 6 is a top plan view of the shoe of FIG. 1; and,  
FIG. 7 is a bottom plan view of the shoe of FIG. 1.  
The dash-dash-dash broken lines are included for the purpose of illustrating portions of the shoe that form no part of the claimed design.

**1 Claim, 7 Drawing Sheets**



(56)

References Cited

U.S. PATENT DOCUMENTS

D723,782 S 3/2015 Miner  
 D768,368 S 10/2016 Birkinhead et al.  
 D776,413 S 1/2017 Mokos et al.  
 D776,419 S 1/2017 VanHook  
 D796,803 S 9/2017 Nethongkome  
 D799,801 S 10/2017 Da Costa Pereira Machado  
 D801,650 S 11/2017 Nykreim  
 D805,273 S 12/2017 Birkinhead et al.  
 D814,753 S 4/2018 Gibson  
 D821,714 S 7/2018 Chang  
 D834,292 S 11/2018 Hernandez  
 D841,965 S 3/2019 Goldman et al.  
 D843,095 S \* 3/2019 Birkinhead ..... D2/947  
 D846,851 S 4/2019 Della Valle et al.  
 D848,126 S 5/2019 Rhu et al.  
 D851,376 S \* 6/2019 de Montgolfier ..... D2/951  
 D861,301 S 10/2019 Weeks  
 D862,056 S 10/2019 Wang  
 D869,132 S 12/2019 de Montgolfier  
 D869,831 S 12/2019 Hernandez  
 D870,436 S \* 12/2019 Avar ..... D2/951  
 D882,923 S \* 5/2020 Kuerbis ..... A43B 13/223  
 D2/951

D885,725 S 6/2020 de Montgolfier  
 D891,740 S 8/2020 Jones  
 D893,143 S 8/2020 Lee  
 D893,837 S 8/2020 Ni et al.  
 D894,564 S 9/2020 Lopez Cali  
 D904,739 S \* 12/2020 Ernst ..... D2/947  
 D905,409 S \* 12/2020 Bloor ..... D2/947  
 D913,668 S \* 3/2021 Boys ..... D2/947  
 D916,449 S \* 4/2021 Vizy ..... D2/947  
 D917,144 S \* 4/2021 Jensen ..... D2/947  
 D917,847 S \* 5/2021 O'Connor ..... D2/947  
 D925,883 S \* 7/2021 Mokos ..... D2/947  
 D928,464 S \* 8/2021 Mokos ..... D2/960  
 D928,488 S \* 8/2021 Hardy ..... D2/960  
 D932,148 S \* 10/2021 Mokos ..... D2/947  
 D935,155 S \* 11/2021 Cenicerros ..... A43C 5/00  
 D2/951  
 2010/0205831 A1 8/2010 Cheskin et al.  
 2015/0250259 A1 9/2015 Attey et al.  
 2017/0188655 A1 7/2017 Carlson et al.  
 2018/0160773 A1 6/2018 Goldman et al.  
 2020/0107611 A1 \* 4/2020 Welliver ..... A43B 13/223  
 2020/0146397 A1 \* 5/2020 Coupe ..... B29D 35/122  
 2021/0000216 A1 \* 1/2021 Lemons ..... A43C 5/00

\* cited by examiner

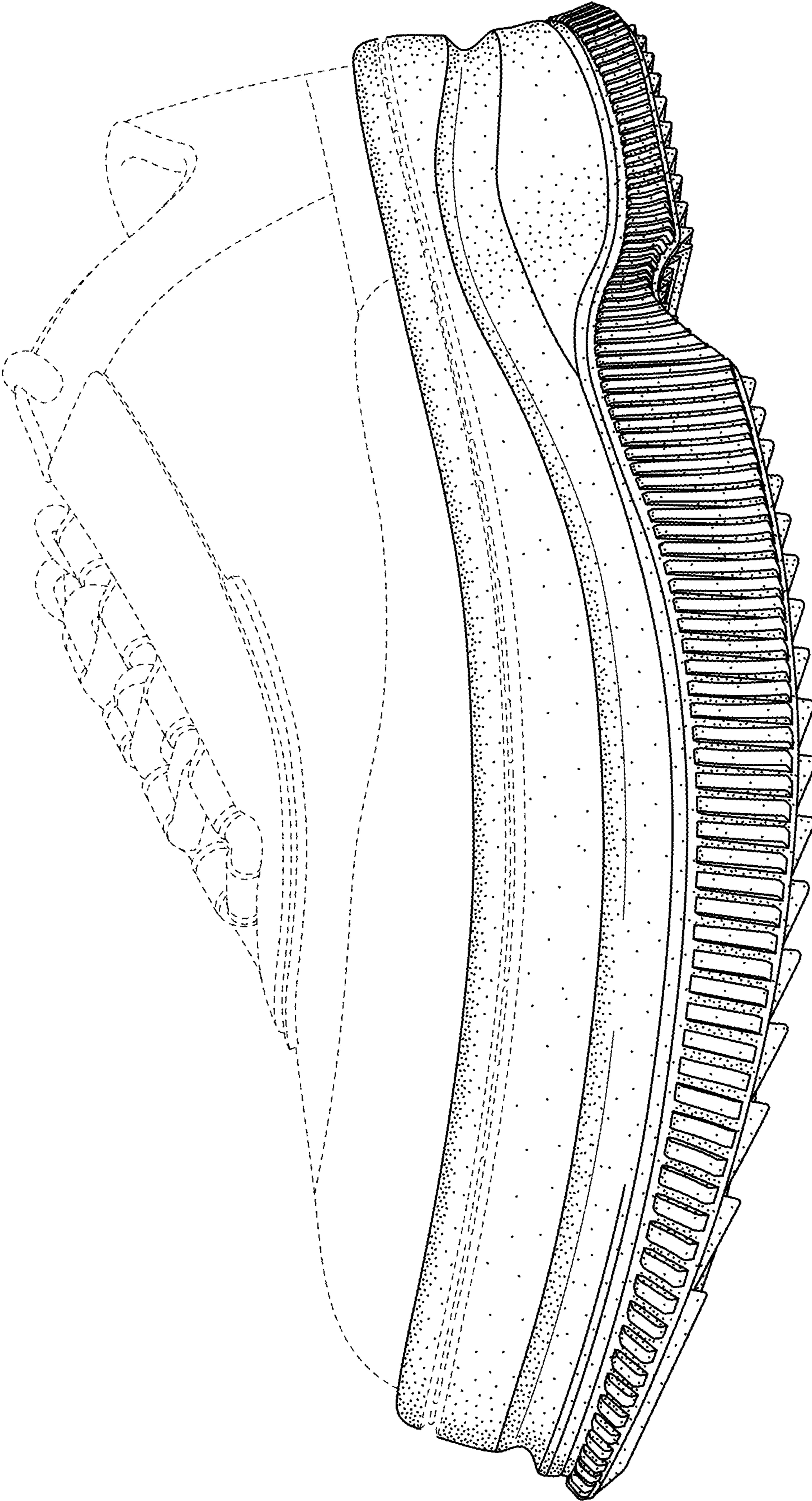


FIG. 1

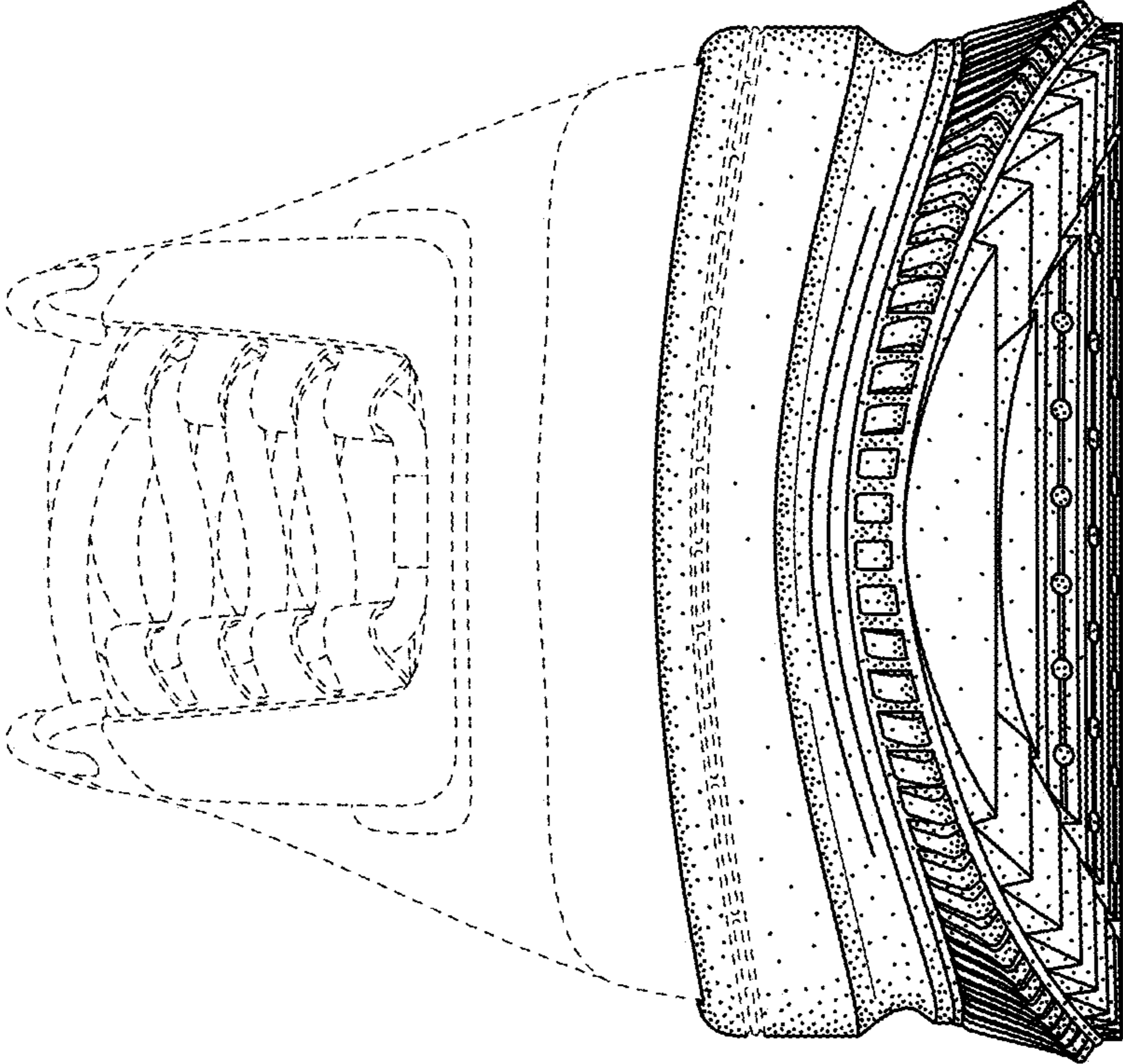


FIG. 2

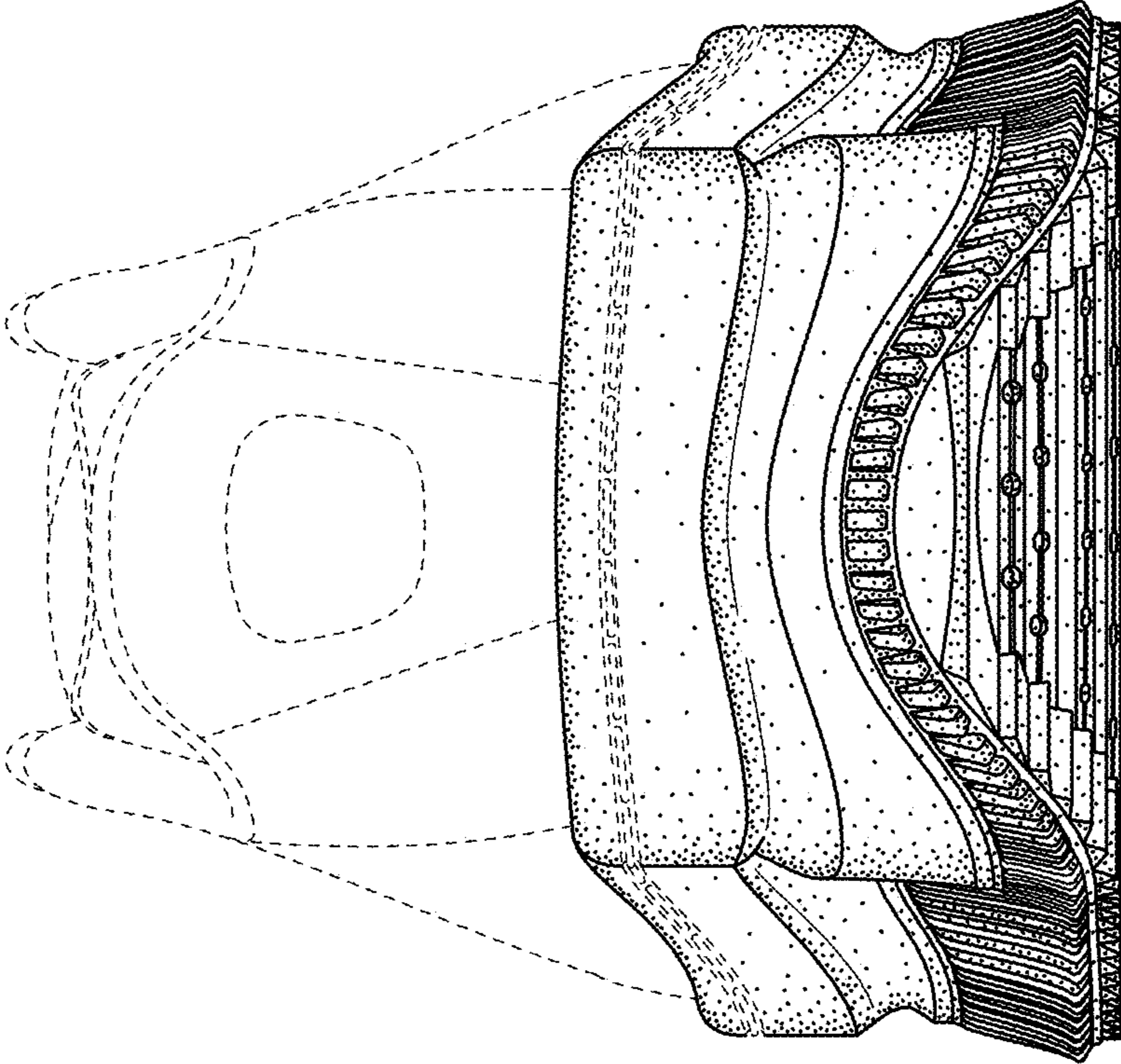


FIG. 3

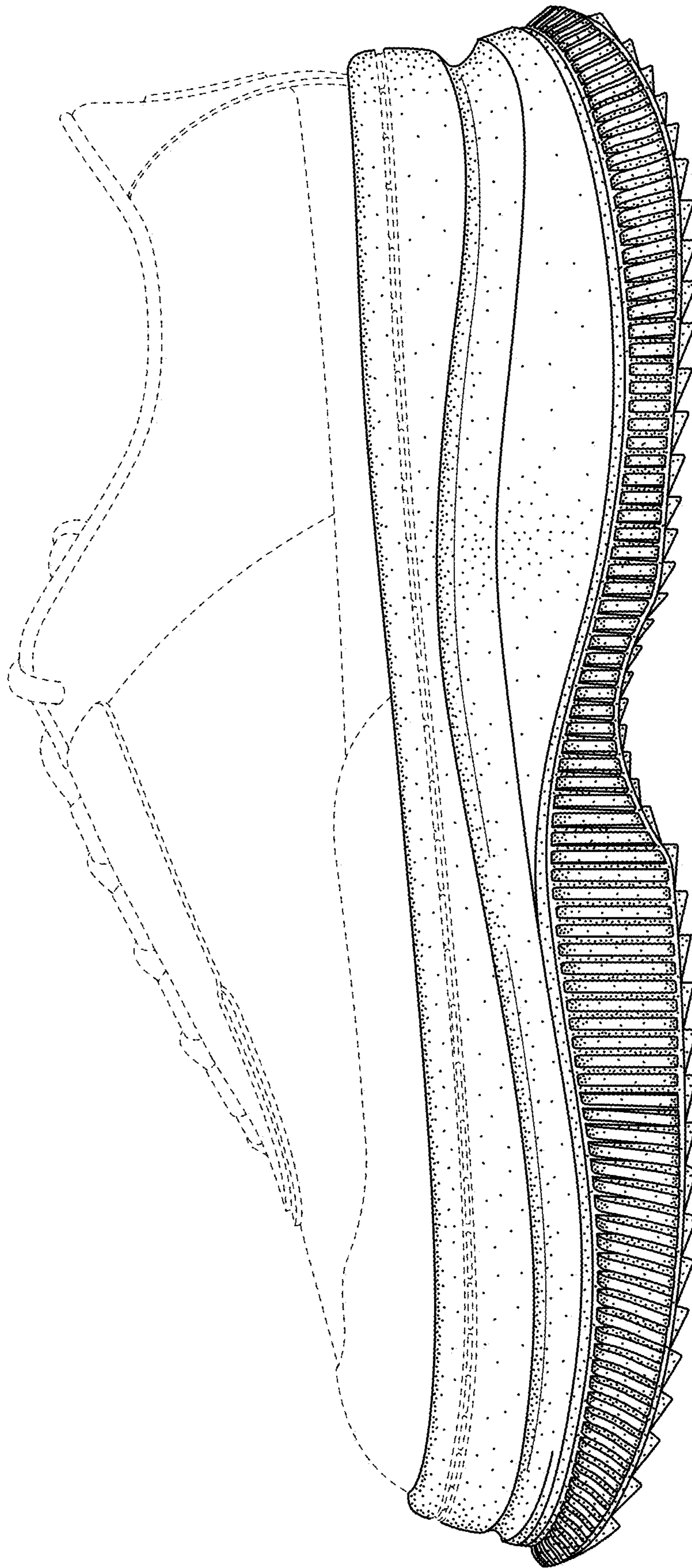


FIG. 4

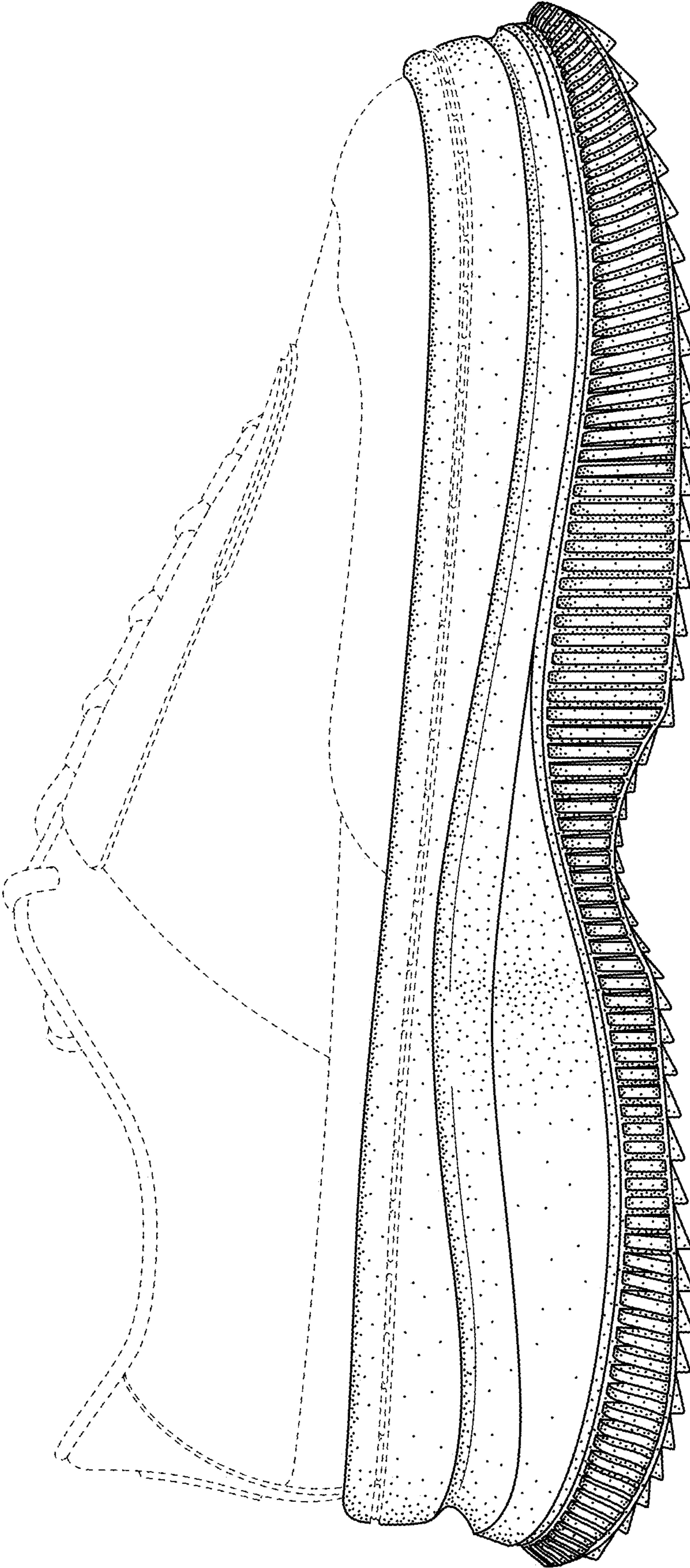


FIG. 5

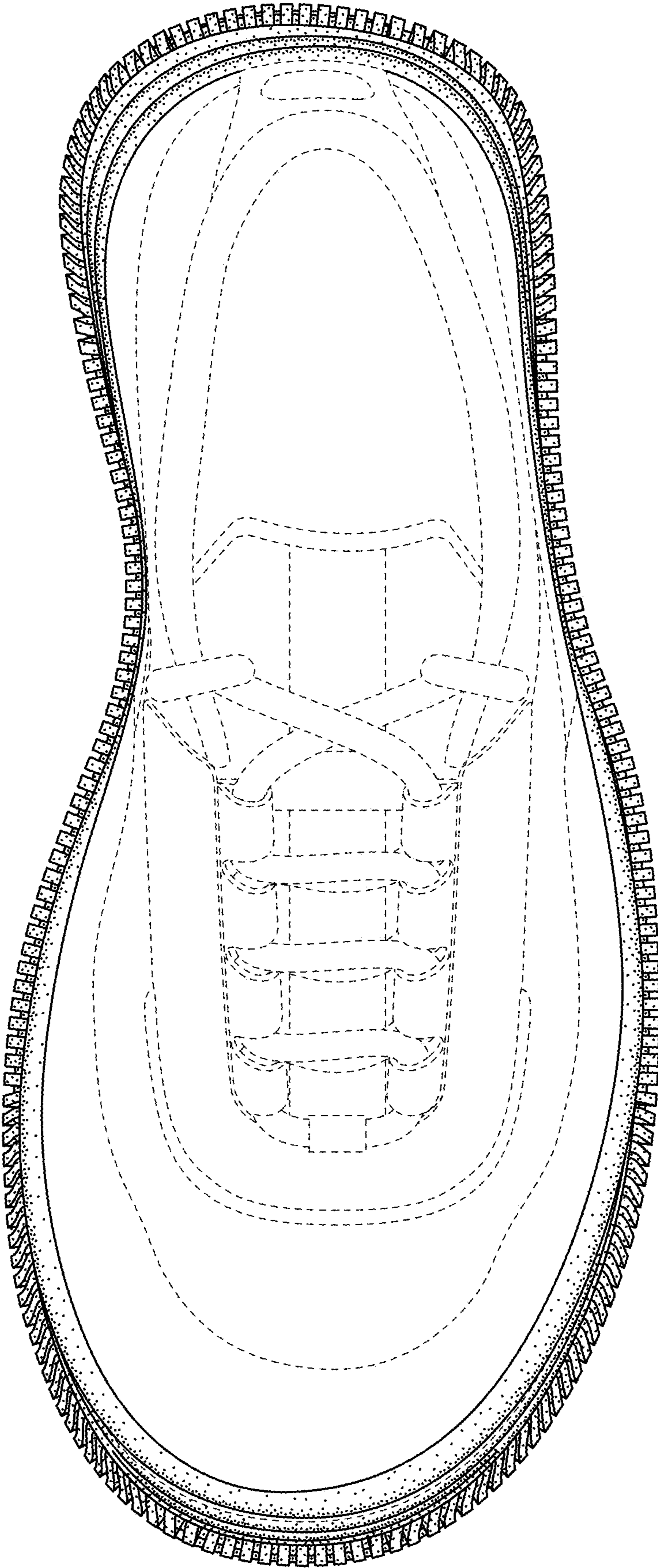


FIG. 6



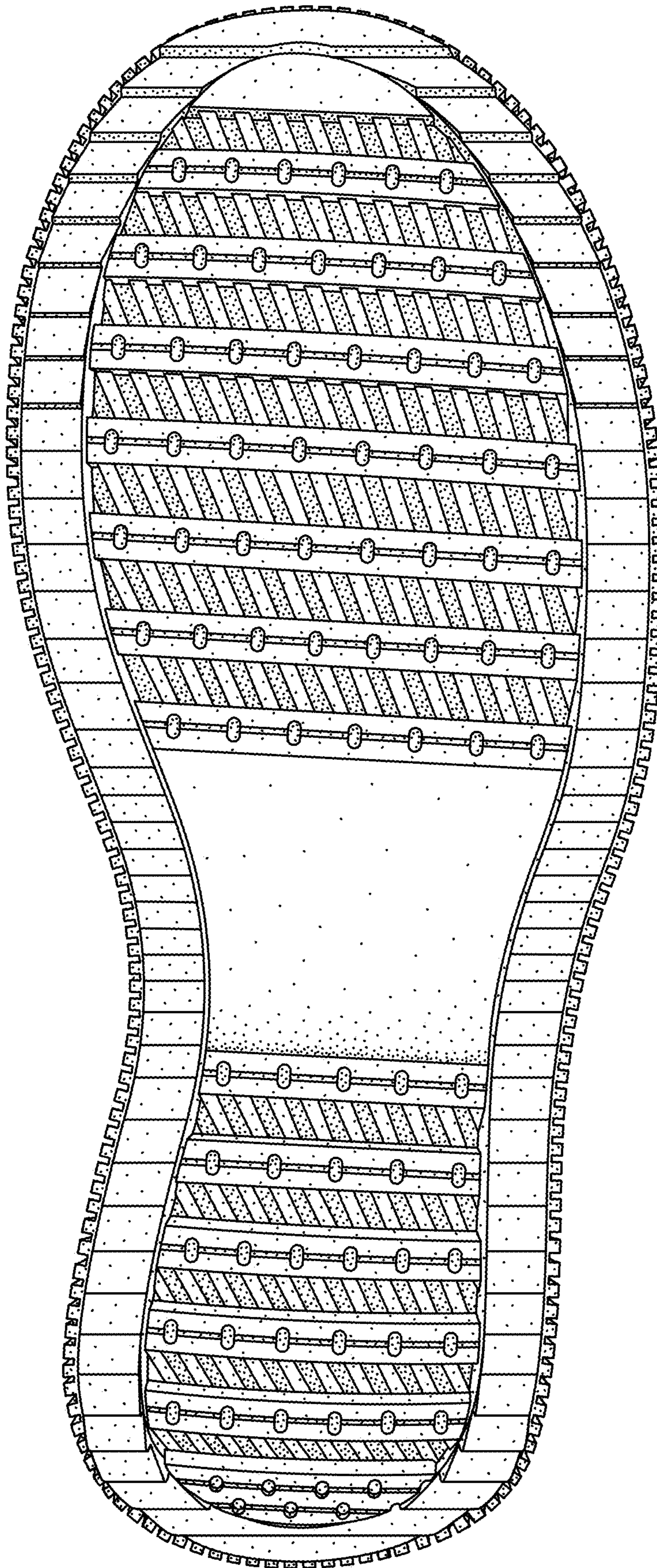


FIG. 7