



US00D956387S

(12) **United States Design Patent**  
**Fernando et al.**

(10) **Patent No.:** **US D956,387 S**  
(45) **Date of Patent:** **\*\* Jul. 5, 2022**

(54) **BELLY BAND**  
(71) Applicant: **MAS Innovation (Private) Limited,**  
Colombo (LK)  
(72) Inventors: **Kanishka Fernando,** Moratuwa (LK);  
**Crishni Perera,** Wattala (LK)

2,471,348 A \* 5/1949 Redmond ..... A41B 9/02  
2/403  
D161,608 S \* 1/1951 Arseneault ..... D2/861  
2,549,361 A \* 4/1951 Berdach ..... A41C 1/00  
450/117

(Continued)

**FOREIGN PATENT DOCUMENTS**

(73) Assignee: **MAS Innovation (Private) Limited**  
(\*\*) Term: **15 Years**

CA 9960 \* 4/1933  
FR 26097-001 \* 4/1935

(Continued)

(21) Appl. No.: **29/715,922**

**OTHER PUBLICATIONS**

(22) Filed: **Dec. 5, 2019**

1485 The Black Purple Cutdown v4, available at youtube.com,  
posted Mar. 13, 2019 [online], site visited Nov. 23, 2021, Available  
from the internet URL: <https://www.youtube.com/watch?v=9HwrZomnilw> (Year: 2019).\*

(30) **Foreign Application Priority Data**

(Continued)

Jun. 7, 2019 (SG) ..... 30201906634R

(51) **LOC (13) Cl.** ..... **02-01**

(52) **U.S. Cl.**  
USPC ..... **D2/701**

(58) **Field of Classification Search**  
USPC ..... D2/700-705, 728, 729, 731-734, 738,  
D2/739, 823-827, 851, 860-864,  
D2/600-602, 609-614, 624-638;  
D26/118

*Primary Examiner* — S. Bryan Reinholdt, Jr.

*Assistant Examiner* — Jillian Mazzola

(74) *Attorney, Agent, or Firm* — Lerner, David,  
Littenberg, Krumholz & Mentlik, LLP

See application file for complete search history.

(57) **CLAIM**

The ornamental design for a belly band, as shown and  
described.

(56) **References Cited**

**DESCRIPTION**

**U.S. PATENT DOCUMENTS**

D4,617 S \* 1/1871 Fanning ..... D2/702  
D13,441 S \* 11/1882 Hilborn ..... D2/705  
2,218,747 A \* 10/1940 Gagnon ..... A41C 1/00  
450/130  
D135,440 S \* 4/1943 Scriggins ..... D2/704  
2,384,806 A \* 9/1945 Berdach ..... A41C 1/00  
450/117  
2,458,279 A \* 1/1949 Levy ..... A41C 1/00  
450/116

FIG. 1 is a front view of a belly band according to our  
design;

FIG. 2 is a front bottom perspective view thereof;

FIG. 3 is a right side perspective view thereof;

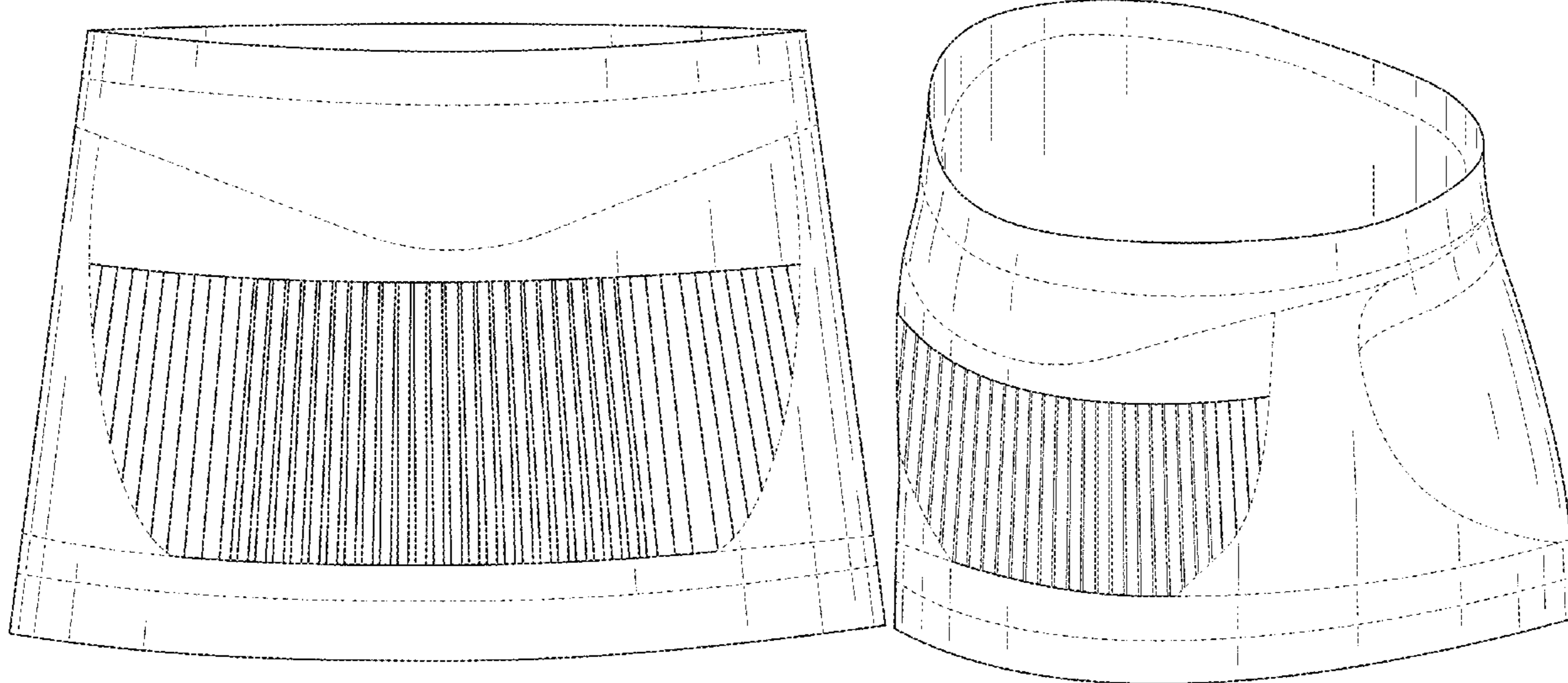
FIG. 4 is a rear view thereof;

FIG. 5 is a left side perspective view thereof; and,

FIG. 6 is a front top perspective view thereof.

The broken lines shown in the drawings represent stitching  
lines that form no part of the claimed design.

**1 Claim, 6 Drawing Sheets**



(56)

References Cited

U.S. PATENT DOCUMENTS

2,565,866 A \* 8/1951 Loftus ..... A41C 1/003  
450/99  
2,641,762 A \* 6/1953 Greco ..... A41C 1/00  
450/131  
2,719,973 A \* 10/1955 Blatt ..... A41C 1/00  
450/155  
2,719,974 A \* 10/1955 Blatt ..... A41C 1/10  
450/104  
2,770,808 A \* 11/1956 Bader ..... A41C 1/04  
450/97  
D179,815 S \* 3/1957 Newman ..... D2/702  
2,794,187 A \* 6/1957 Edelman ..... A41D 7/00  
2/67  
2,955,598 A \* 10/1960 Blatt ..... A41C 1/10  
450/122  
D194,034 S \* 11/1962 La Bue ..... D2/702  
3,212,504 A \* 10/1965 Sheldon ..... A41C 1/10  
450/104  
D205,894 S \* 10/1966 Lobbenberg ..... D2/702  
D213,666 S \* 4/1969 Salisky ..... D2/702  
D213,667 S \* 4/1969 Salisky ..... D2/704  
3,470,878 A \* 10/1969 Gottlieb ..... A41B 11/12  
450/95  
D217,110 S \* 4/1970 Pichon ..... D2/702  
D218,586 S \* 9/1970 Williams ..... D2/702  
D229,898 S \* 1/1974 Williams ..... D2/702  
D239,475 S \* 4/1976 Lo Cascio ..... D2/702  
D311,991 S \* 11/1990 Pippins ..... D2/713  
D338,543 S \* 8/1993 van Laar ..... D2/712  
D373,455 S \* 9/1996 Graves ..... D2/625  
D376,403 S \* 12/1996 Kato ..... D2/627  
D377,107 S \* 1/1997 Baldwin ..... D2/627  
D413,424 S \* 9/1999 Davies ..... D2/731  
D416,124 S \* 11/1999 Davies ..... D2/728  
D453,256 S \* 2/2002 Kim ..... D2/700  
D496,522 S \* 9/2004 Oya ..... D2/702  
7,260,961 B1 \* 8/2007 Kennedy ..... D04B 1/243  
66/171

D576,777 S \* 9/2008 Herbert ..... D2/712  
D599,082 S \* 9/2009 Ragoobarsingh ..... D2/712  
D599,083 S \* 9/2009 Ragoobarsingh ..... D2/731  
D607,547 S \* 1/2010 Maier ..... D23/262  
D685,156 S \* 7/2013 Carney ..... D2/712  
D725,347 S \* 3/2015 Kirkwood ..... D2/701  
D800,421 S \* 10/2017 Lee ..... D2/731  
D808,130 S \* 1/2018 Lomax ..... D2/851  
D875,354 S \* 2/2020 Franulic ..... D2/851  
D885,709 S \* 6/2020 Jin ..... D2/701  
D898,328 S \* 10/2020 Jacobs ..... D2/629  
D915,735 S \* 4/2021 Fischer ..... D2/701  
2021/0186132 A1 \* 6/2021 Solano ..... A41D 31/14

FOREIGN PATENT DOCUMENTS

GB 4003208 \* 8/2007  
GB 6007616 \* 2/2017  
JP D1416124 \* 6/2011

OTHER PUBLICATIONS

Tummy Shaper, available at joom.com, earliest customer review date Jan. 6, 2020 [online], site visited Nov. 23, 2021, Available from the internet URL: [https://www.joom.com/en/products/5caef84128fc71010173bf45?reviewsPage=\(Year:2020\)](https://www.joom.com/en/products/5caef84128fc71010173bf45?reviewsPage=(Year:2020)).  
Vaslanda Stomach Band, available at amazon.com, earliest date available Jul. 12, 2019 [online], site visited Nov. 23, 2021, Available from the internet URL: <https://www.amazon.com/Vaslanda-Compression-Abdominal-Slimming-Shapewear/dp/B07V4R25BC?th=1> (Year: 2019).  
Soft Stretchy Waist Trainer, available at teknistore.com, date not available [online], site visited Nov. 23, 2021, Available from the internet URL: <https://www.teknistore.com/en/shapewear/42196-soft-stretchy-waist-trainer-overhead-tummy-shaper.html>.  
Postpartum Belly Band, available at amazon.com, earliest date available Oct. 15, 2018 [online], site visited Nov. 23, 2021, Available from the internet URL: <https://www.amazon.com/Postpartum-Shaper-Trainer-Stomach-Compression/dp/B092VN6JM3> (Year: 2018).

\* cited by examiner

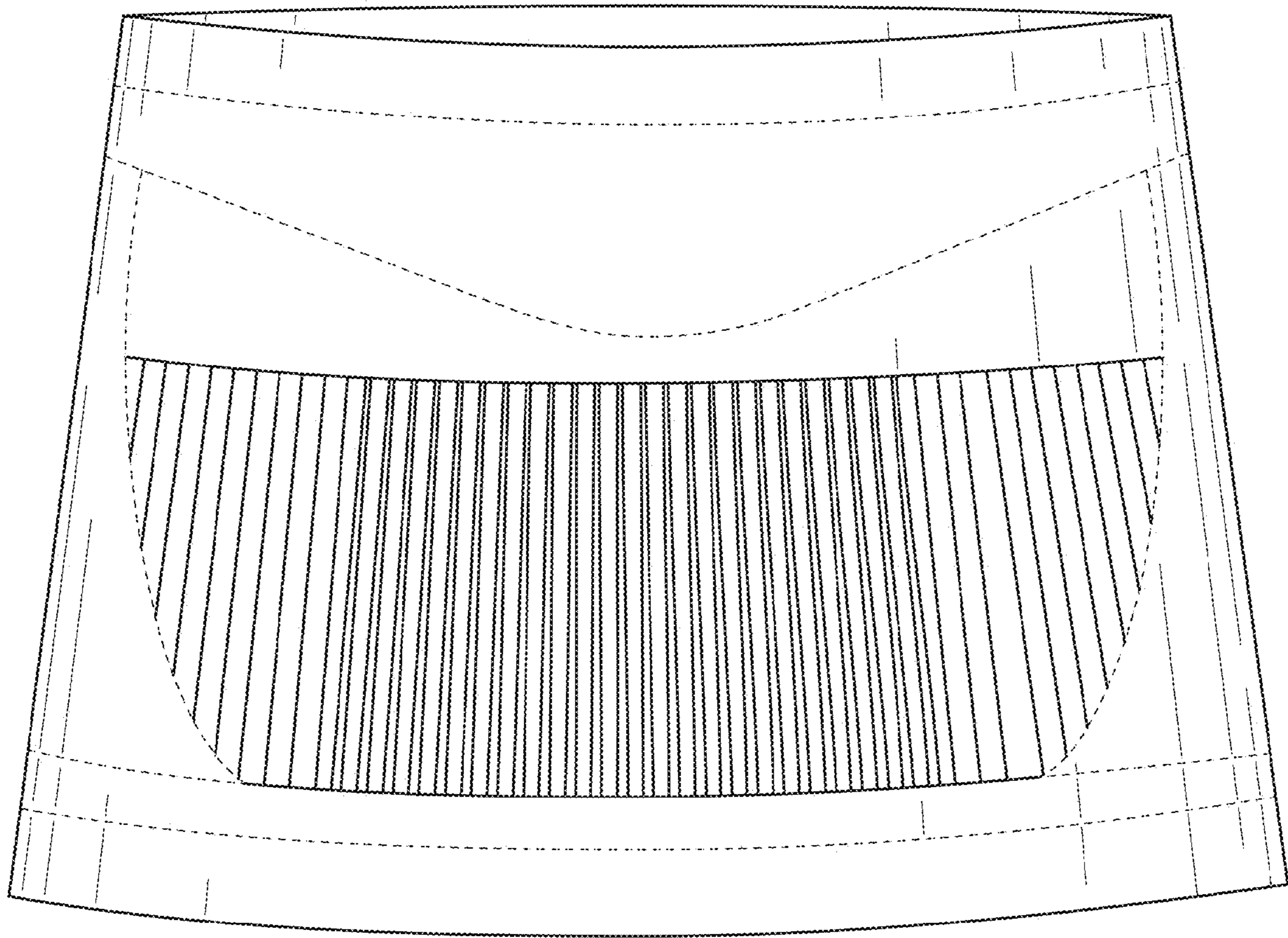


FIG. 1

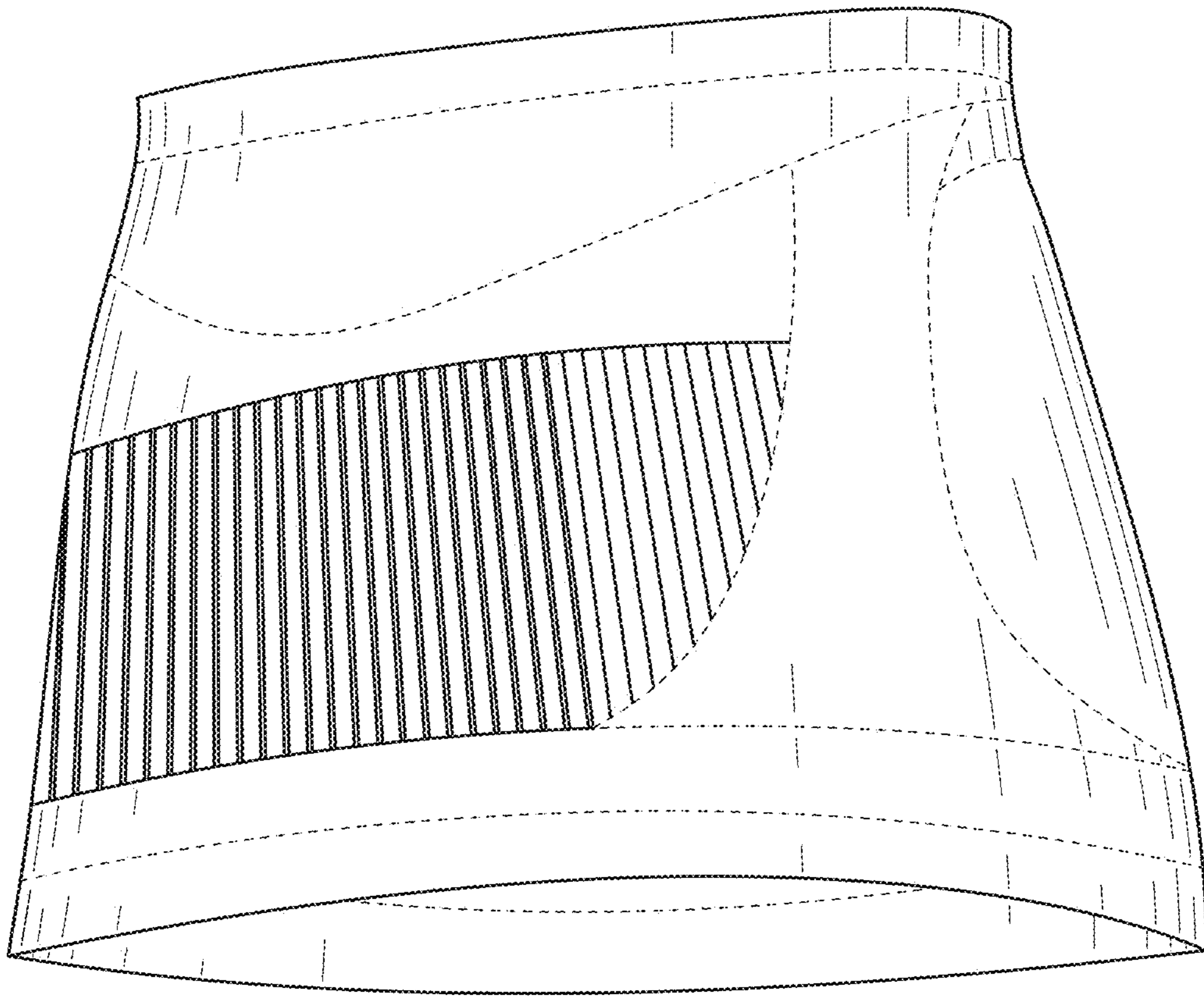


FIG. 2

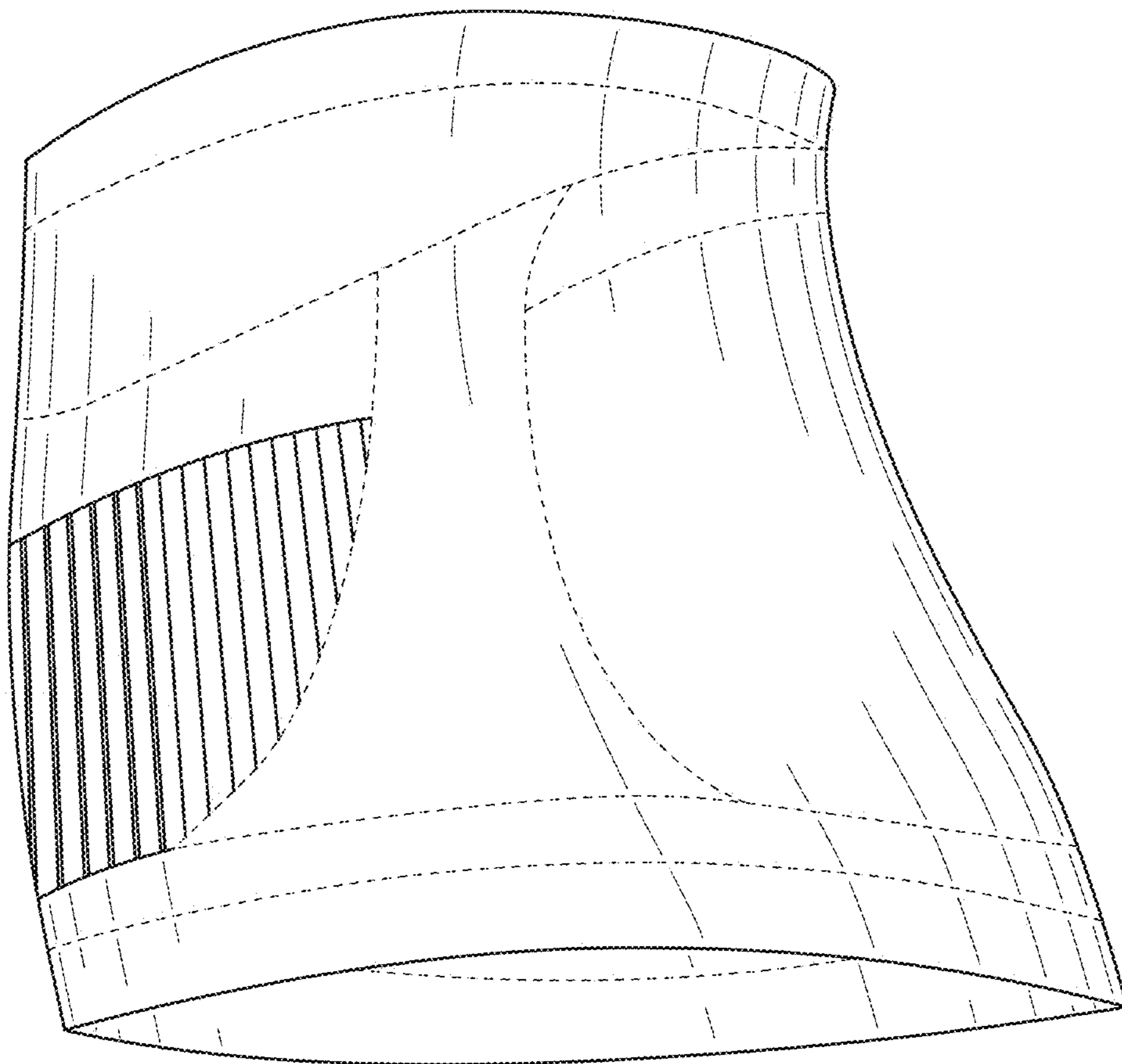


FIG. 3

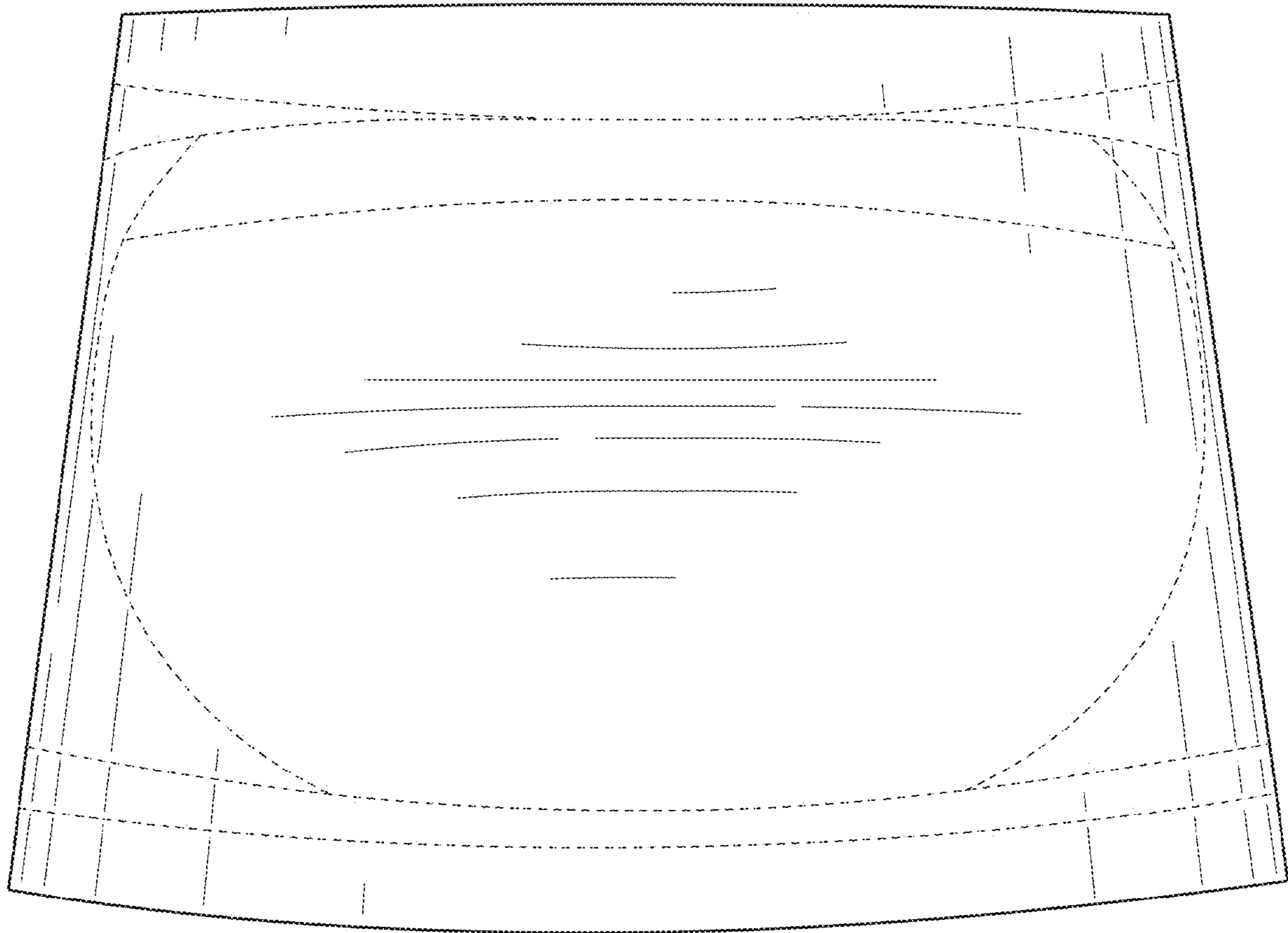


FIG. 4

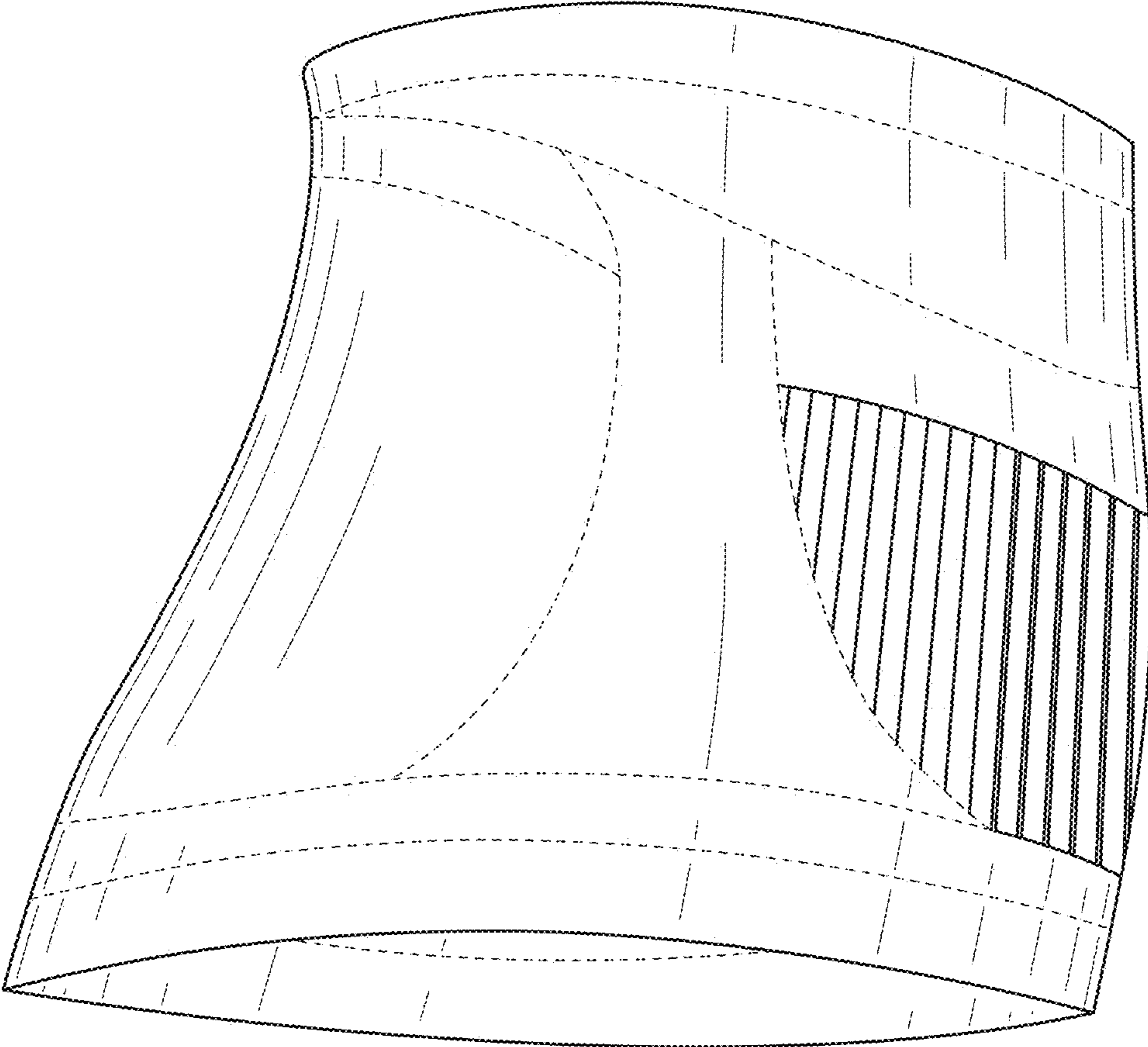


FIG. 5

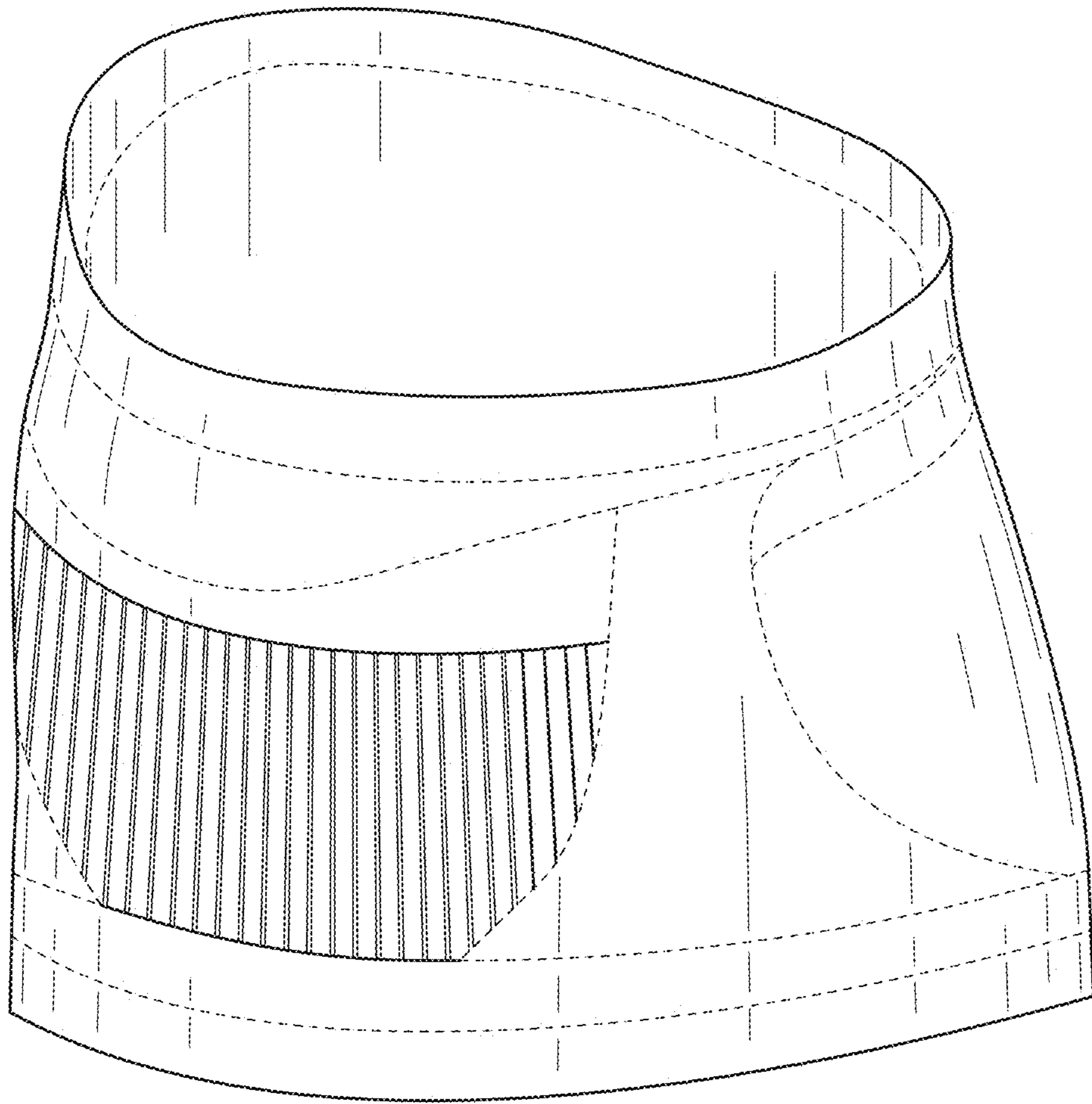


FIG. 6