



US00D956385S

(12) **United States Design Patent** (10) **Patent No.:** **US D956,385 S**  
**Tsai** (45) **Date of Patent:** **\*\* Jun. 28, 2022**

(54) **ROLLING CART**  
(71) Applicant: **Tsung-Yu Tsai**, Changhua (TW)  
(72) Inventor: **Tsung-Yu Tsai**, Changhua (TW)  
(\*\*) Term: **15 Years**

D852,449 S 6/2019 Hu  
D858,928 S 9/2019 Cao  
D902,521 S \* 11/2020 Tsai ..... D34/21  
D919,918 S \* 5/2021 Liu ..... D34/21  
D922,023 S \* 6/2021 Chen ..... D34/21  
D945,106 S \* 3/2022 Gao ..... D34/21  
2018/0208355 A1 7/2018 Tang  
2020/0231197 A1 7/2020 Liu

(21) Appl. No.: **29/752,617**  
(22) Filed: **Sep. 28, 2020**

**OTHER PUBLICATIONS**

King Rack Cart, announced Jun. 2020 [online], [site visited Mar. 6, 2022]. Available from internet, URL: <https://www.wayfair.com/commercial-business-furniture/pdp/kingrack-3-tier-rolling-cart-kigr1003.html> (Year: 2020).\*

(Continued)

**Related U.S. Application Data**

(63) Continuation of application No. 29/679,459, filed on Feb. 6, 2019, now Pat. No. Des. 902,521.

(51) **LOC (13) Cl.** ..... **12-02**

(52) **U.S. Cl.**  
USPC ..... **D34/21**

(58) **Field of Classification Search**  
USPC ..... D34/12-14, 17, 19, 20, 21, 23, 26, 27  
CPC .. B62B 1/00; B62B 1/008; B62B 1/12; B62B 1/10; B62B 3/002; B62B 3/006; B62B 3/02; B62B 3/10; B62B 3/022; B62B 3/001; B62B 3/067; B62B 5/003; B62B 5/0083; B62B 5/005

See application file for complete search history.

*Primary Examiner* — Cynthia Ramirez  
*Assistant Examiner* — Tamara L Hahn  
(74) *Attorney, Agent, or Firm* — Muncy, Geissler, Olds & Lowe, P.C.

(57) **CLAIM**

The ornamental design for a rolling cart, as shown and described.

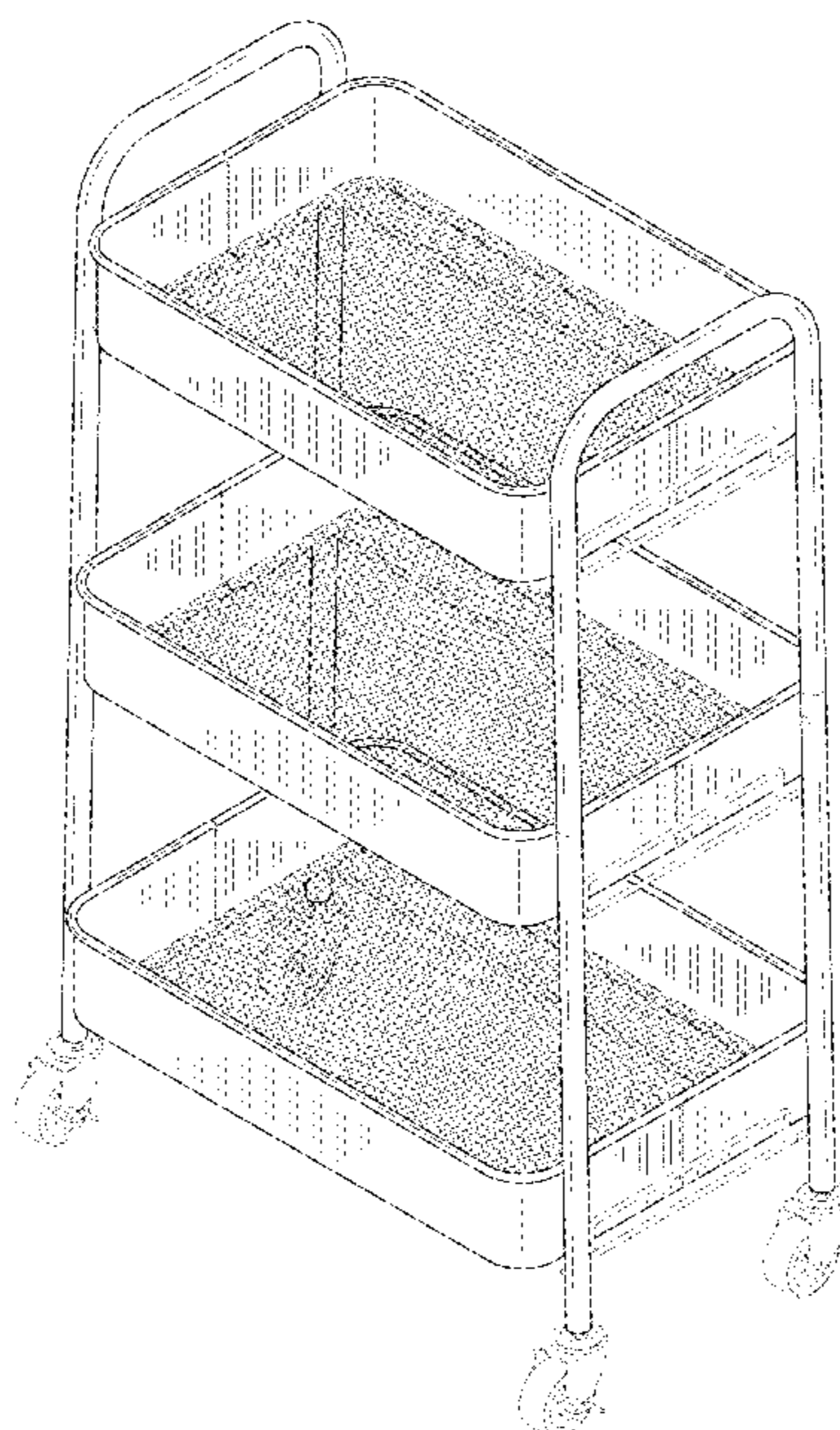
**DESCRIPTION**

FIG. 1 is a perspective view of a rolling cart, showing the new design;  
FIG. 2 is a front elevational view thereof;  
FIG. 3 is a rear elevational view thereof;  
FIG. 4 is a left side elevational view thereof;  
FIG. 5 is a right side elevational view thereof;  
FIG. 6 is an enlarged top plan view thereof; and,  
FIG. 7 is an enlarged bottom plan view thereof.  
The broken lines shown in FIGS. 1-7 depict portions of the rolling cart that form no part of the claimed design.

(56) **References Cited**  
U.S. PATENT DOCUMENTS

D436,239 S 1/2001 Walsh  
D703,412 S 4/2014 Snider et al.  
D756,584 S 5/2016 Dunford  
D757,387 S 5/2016 Cao  
D831,390 S 10/2018 Li  
D832,549 S 10/2018 Cao  
D846,824 S 4/2019 Cao  
D846,825 S 4/2019 Cao  
D850,753 S 6/2019 Cao  
D852,448 S 6/2019 Hu

**1 Claim, 7 Drawing Sheets**



(56)

**References Cited**

OTHER PUBLICATIONS

Toolf Cart, announced Jan. 2021 [online], [site visited Mar. 6, 2022]. Available from internet, URL: [https://www.amazon.com/TOOLF-Lockable-Organizer-Assembly-Classroom/dp/B08TTK1XPH/ref=sr\\_1\\_21](https://www.amazon.com/TOOLF-Lockable-Organizer-Assembly-Classroom/dp/B08TTK1XPH/ref=sr_1_21) (Year: 2021).\*

Alibaba Cart, announced 2020 [online], [site visited Aug. 10, 2020]. Available from internet, URL: [https://www.alibaba.com/product-detail/Wireking-3-Tier-Utility-Rolling-Cart\\_62141842145.html?spm=a2700.details.maylikeexp.10.5c6b4fb9SBy4qw](https://www.alibaba.com/product-detail/Wireking-3-Tier-Utility-Rolling-Cart_62141842145.html?spm=a2700.details.maylikeexp.10.5c6b4fb9SBy4qw) (Year: 2020).

Wayfair Cart, announced Jun. 2020 [online], [site visited Aug. 10, 2020]. Available from internet, URL: <https://www.wayfair.com/commercial-business-furniture/pdp/kingrack-3-tier-rolling-cart-kigr1003.html> (Year: 2020).

\* cited by examiner

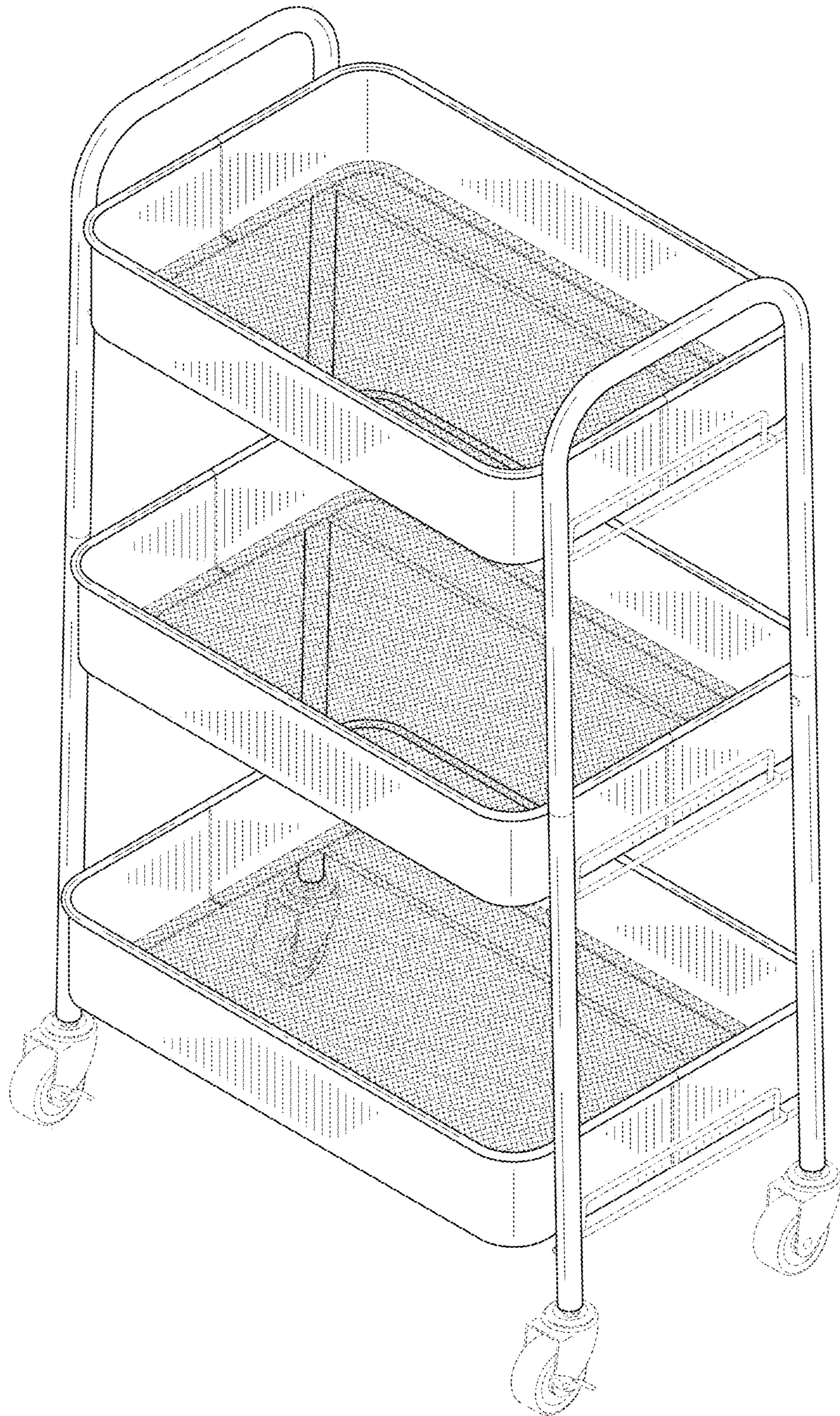


FIG. 1

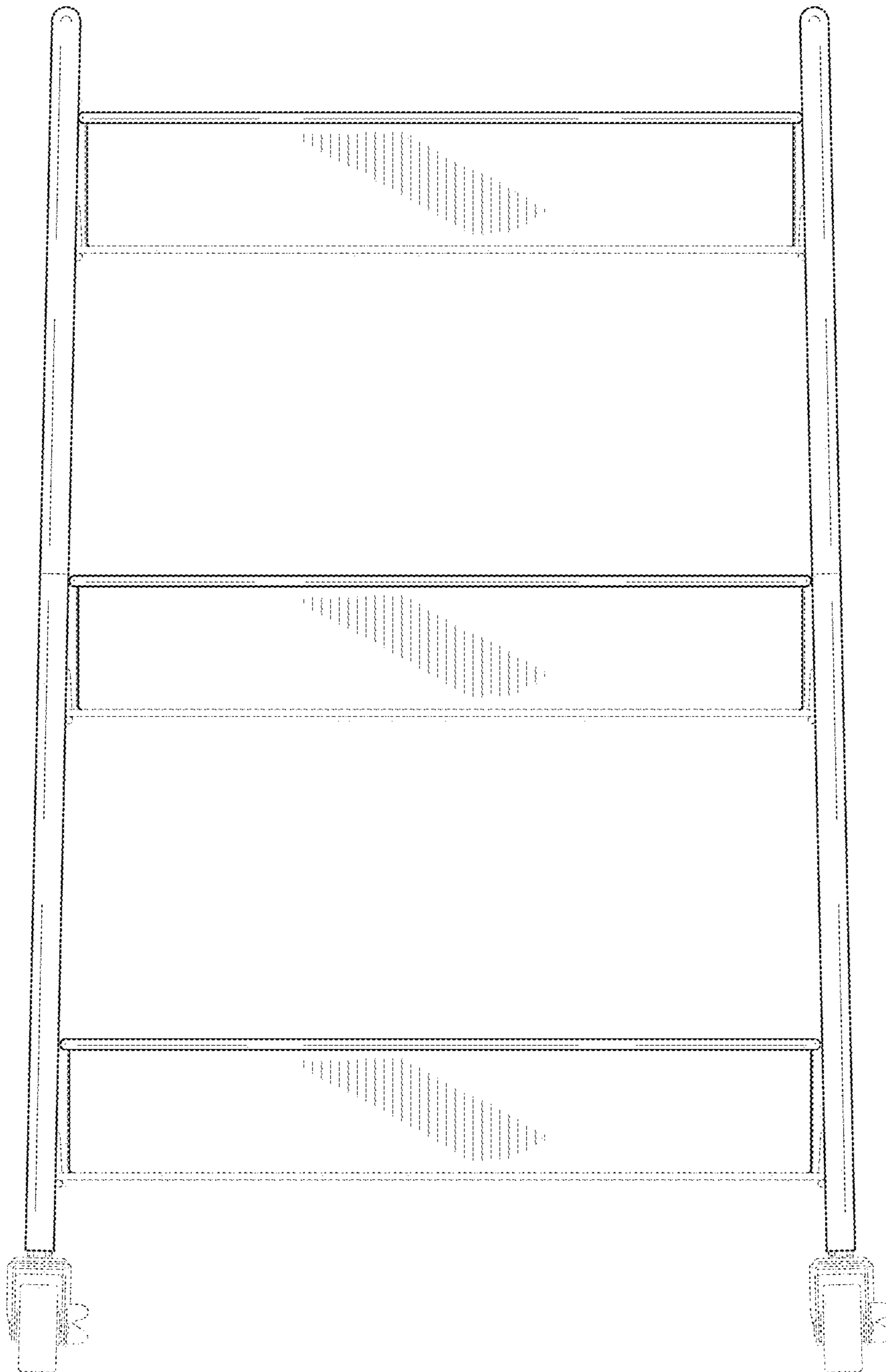


FIG. 2

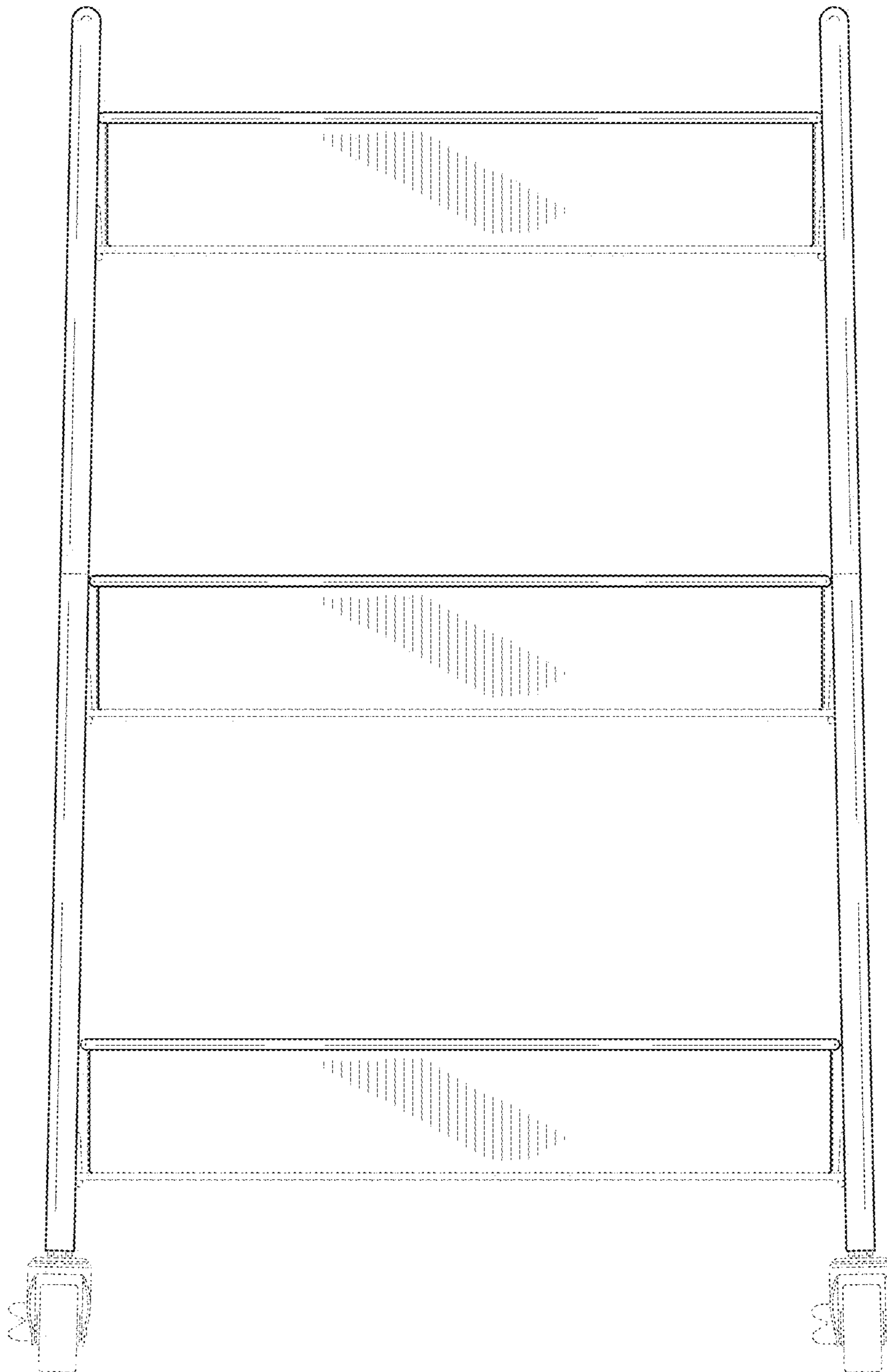


FIG. 3

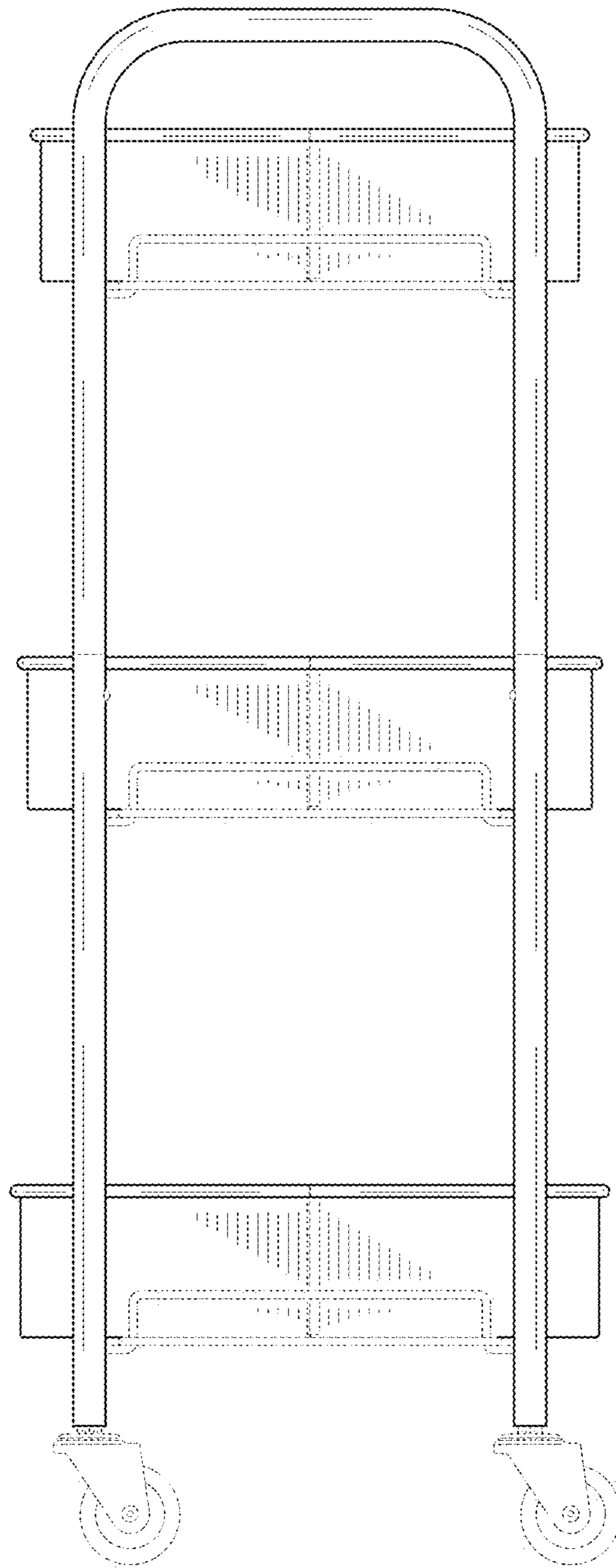


FIG. 4

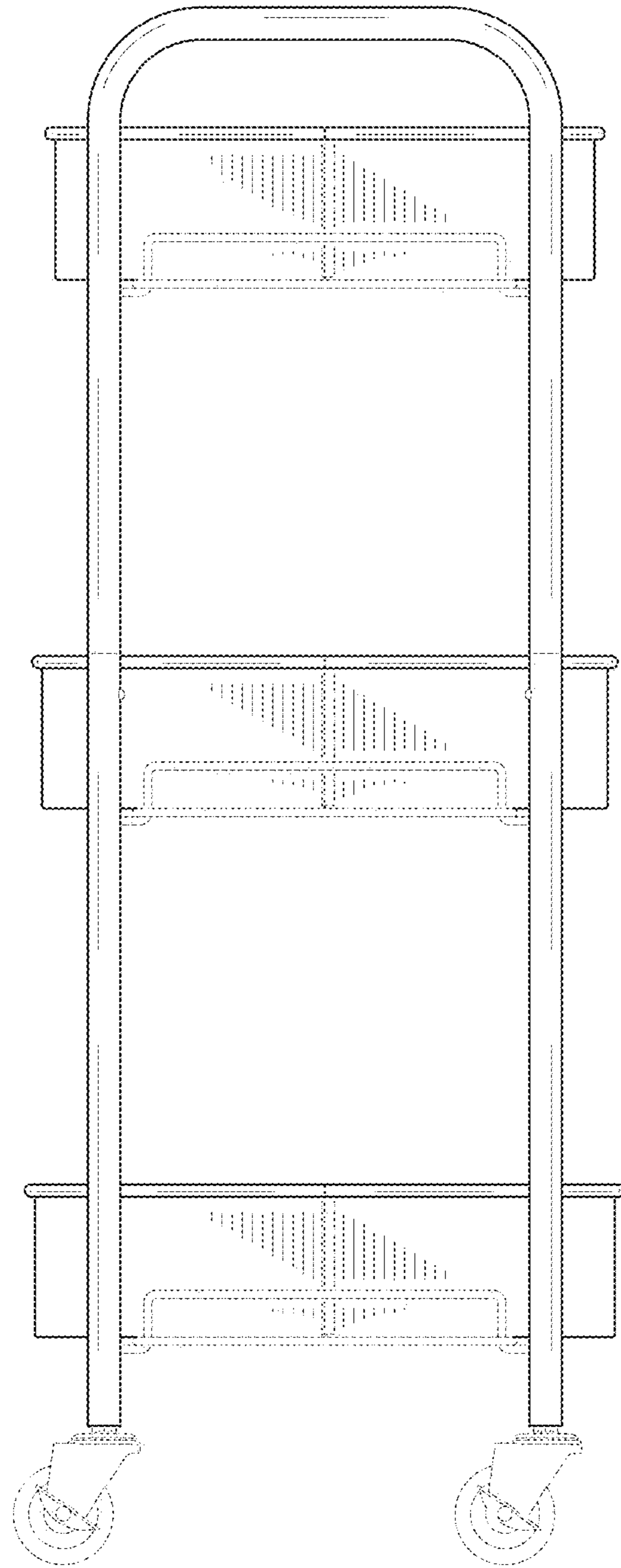


FIG. 5

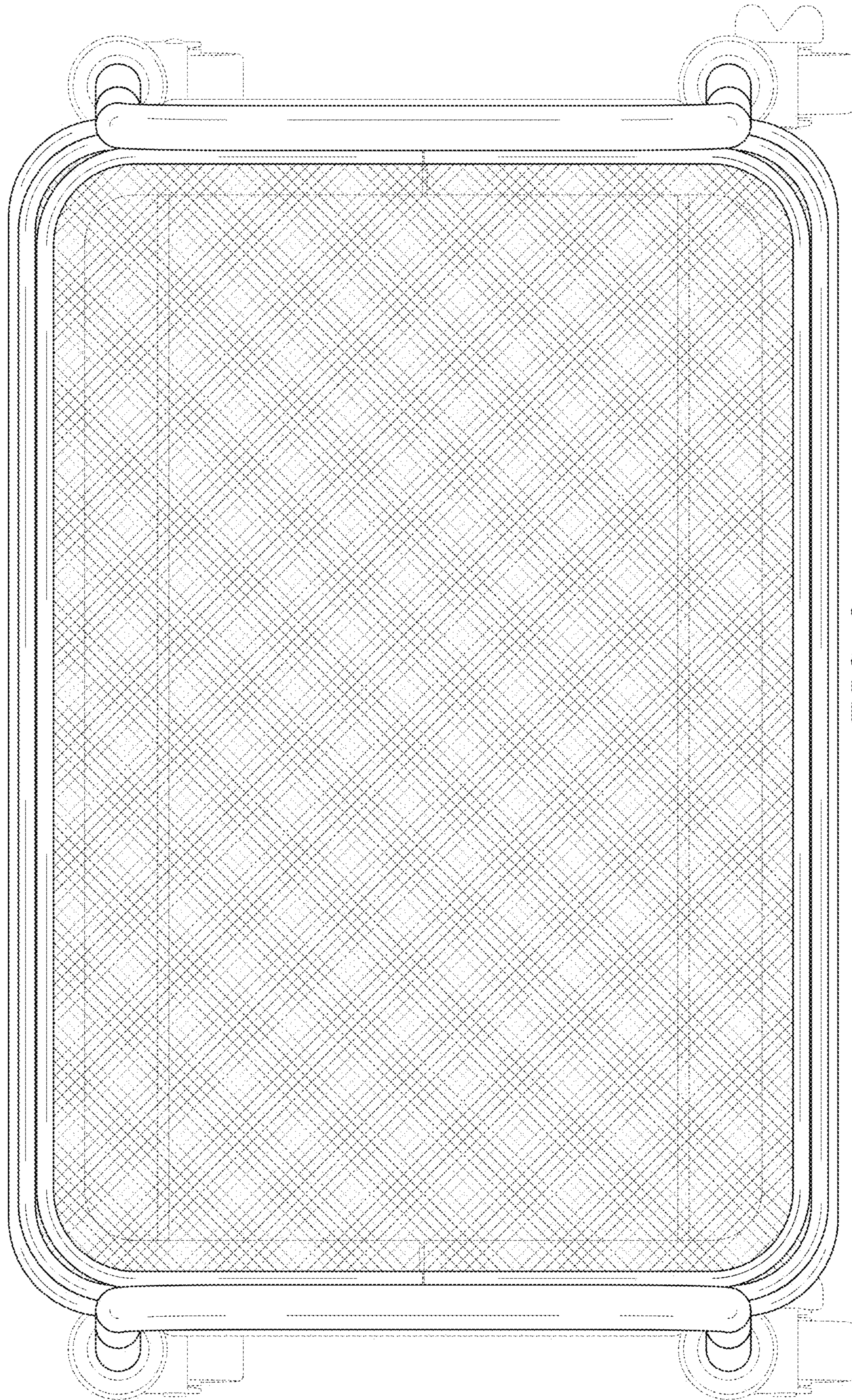


FIG. 6



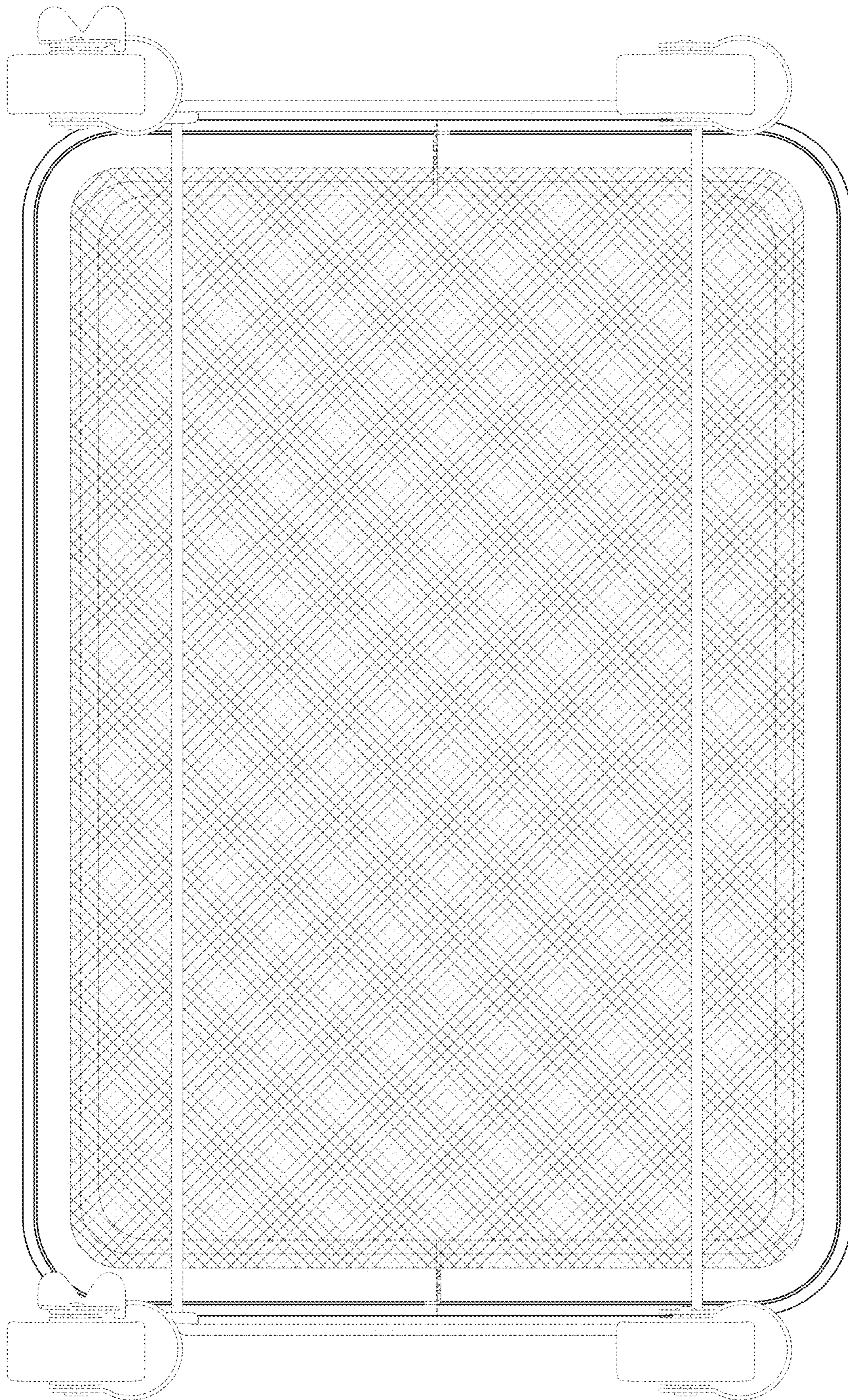


FIG. 7