

US00D956380S

(12) **United States Design Patent** (10) **Patent No.:** **US D956,380 S**
Wake (45) **Date of Patent:** **** Jun. 28, 2022**

(54) **SCRAPER DEVICE**
(71) Applicant: **Orvie Wake**, Vancouver, WA (US)
(72) Inventor: **Orvie Wake**, Vancouver, WA (US)
(**) Term: **15 Years**
(21) Appl. No.: **29/760,374**
(22) Filed: **Dec. 1, 2020**

6,735,887 B1 5/2004 Muzzammel
7,290,311 B2 11/2007 Vosbikian et al.
D620,658 S * 7/2010 Johnson D32/46
D623,372 S * 9/2010 Murray D32/46
8,533,896 B2 * 9/2013 Lemke B60S 3/047
37/285
8,960,743 B1 * 2/2015 Hasenjaeger A01B 1/227
294/51
D727,696 S * 4/2015 Clark D8/13
9,198,337 B2 * 12/2015 Walsh A01B 1/026
9,408,459 B2 8/2016 Cooke
D782,889 S * 4/2017 Vera Andrades D8/13
9,868,202 B1 * 1/2018 Burcham B25G 3/36

(Continued)

Related U.S. Application Data

(63) Continuation-in-part of application No. 16/106,605, filed on Aug. 21, 2018, now abandoned.
(51) **LOC (13) Cl.** **07-05**
(52) **U.S. Cl.**
USPC **D32/46**
(58) **Field of Classification Search**
USPC D8/10, 11, 14, 45; D32/46, 51, 52
CPC .. A01B 1/022; A01B 1/02; A01B 1/04; E01H 5/02; B60S 30/45; B08B 1/005; B25G 1/04
See application file for complete search history.

FOREIGN PATENT DOCUMENTS

CN 202214656 U 5/2012
CN 206061422 U 4/2017

Primary Examiner — Philip S Hyder
(74) *Attorney, Agent, or Firm* — Boudwin Intellectual Property; Daniel Boudwin

(57) **CLAIM**

The ornamental design for a scraper device, as shown and described.

DESCRIPTION

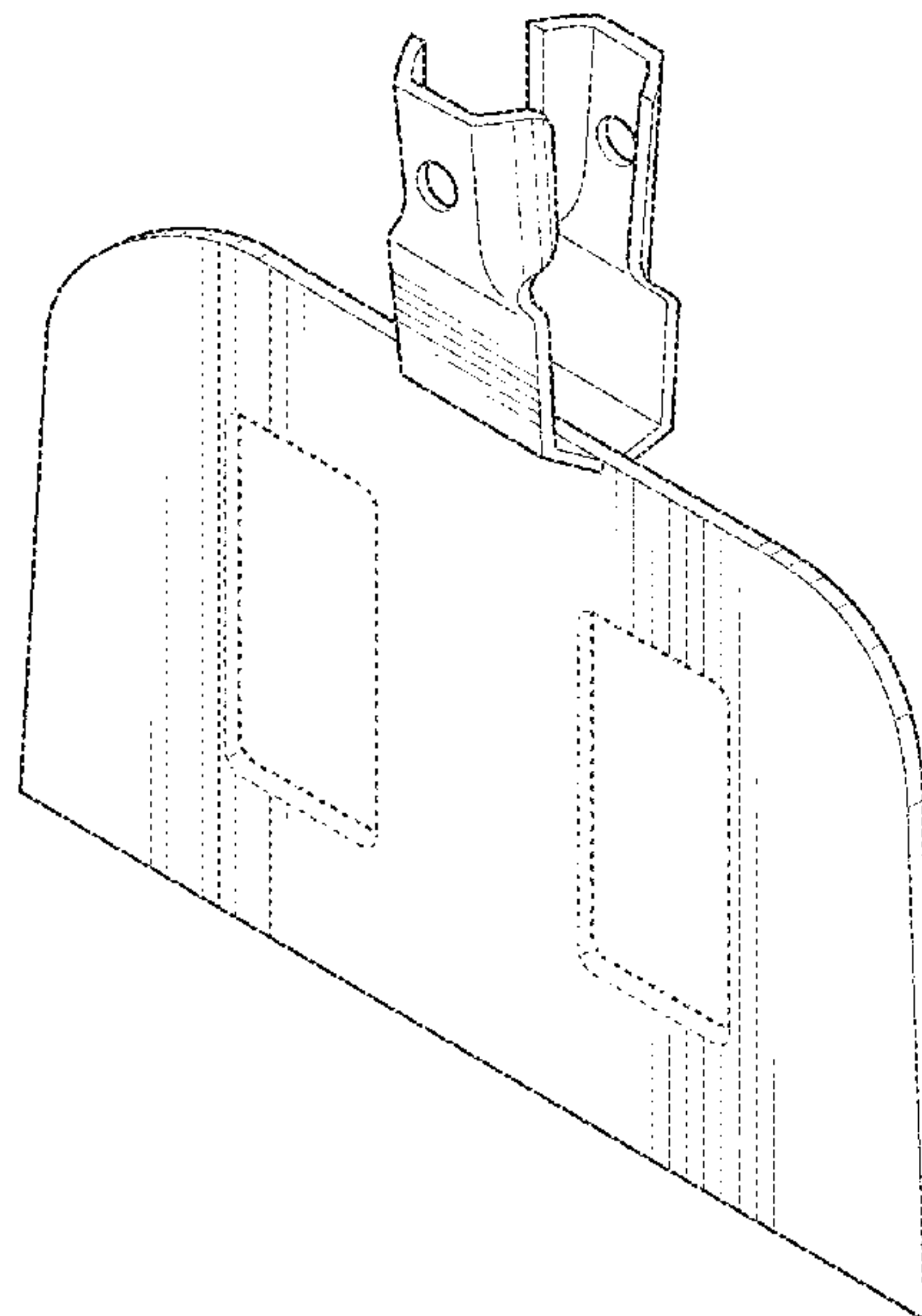
FIG. 1 shows a perspective view of a scraper device.
FIG. 2 shows a front view of the scraper device.
FIG. 3 shows a rear view of the scraper device.
FIG. 4 shows a right side view of the scraper device.
FIG. 5 shows a left side view of the scraper device.
FIG. 6 shows a top plan view of the scraper device; and,
FIG. 7 shows a bottom plan view of the scraper device.
The shade lines in the Figures show contour and not surface ornamentation.
The broken lines shown in the Figures show portions of the scraper device which form no part of the claimed design.

(56) **References Cited**

U.S. PATENT DOCUMENTS

4,037,668 A * 7/1977 Svejda B25G 1/06
473/256
4,524,484 A 6/1985 Graham
4,759,092 A 7/1988 Duddy
5,208,984 A 5/1993 Negus
5,301,378 A * 4/1994 Schultz B25G 1/04
7/158
5,491,862 A 2/1996 Hurley
5,924,204 A 7/1999 Lane
5,951,078 A 9/1999 Whitehead et al.
6,311,783 B1 * 11/2001 Harpell A01B 1/08
172/380
D467,140 S * 12/2002 Dedrick D8/10

1 Claim, 4 Drawing Sheets



(56)

References Cited

U.S. PATENT DOCUMENTS

2002/0089199 A1* 7/2002 McCauley A01B 1/02
294/57
2002/0112865 A1* 8/2002 Murtagh B01F 27/11251
7/114
2003/0184104 A1* 10/2003 Ping B25G 1/04
294/57
2005/0097697 A1 5/2005 Nistico
2009/0264051 A1* 10/2009 Lesche B24D 15/06
30/357
2012/0103644 A1* 5/2012 Walsh A01B 1/026
173/126
2014/0138280 A1* 5/2014 Meinzer B25G 1/04
403/287
2015/0239115 A1* 8/2015 Mouch B21D 53/66
403/376
2016/0356009 A1 12/2016 Pieper-Bailey et al.
2017/0057074 A1* 3/2017 D'Avignon A01B 1/02
2019/0315318 A1* 10/2019 Wake B25G 1/04

* cited by examiner

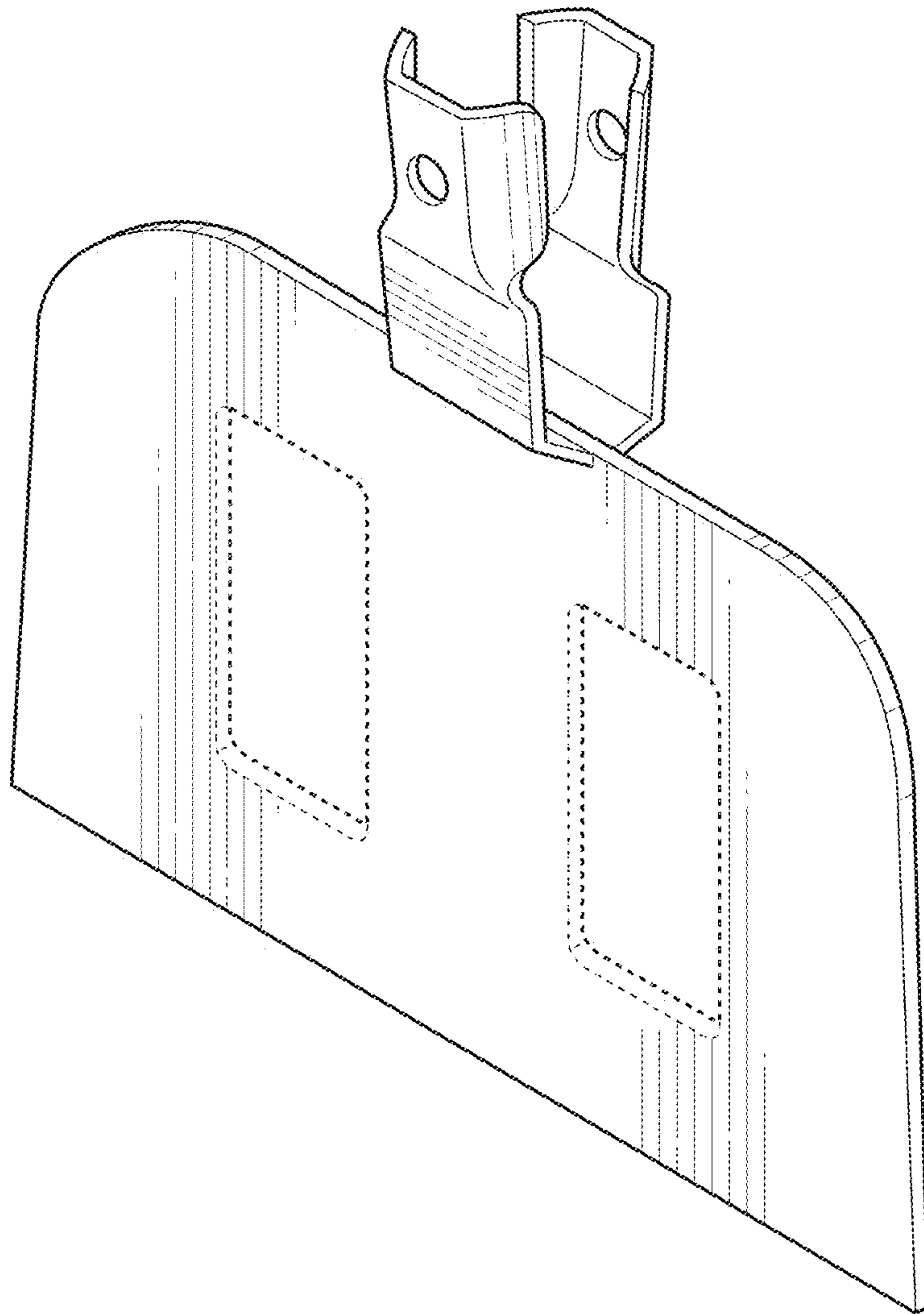


FIG. 1

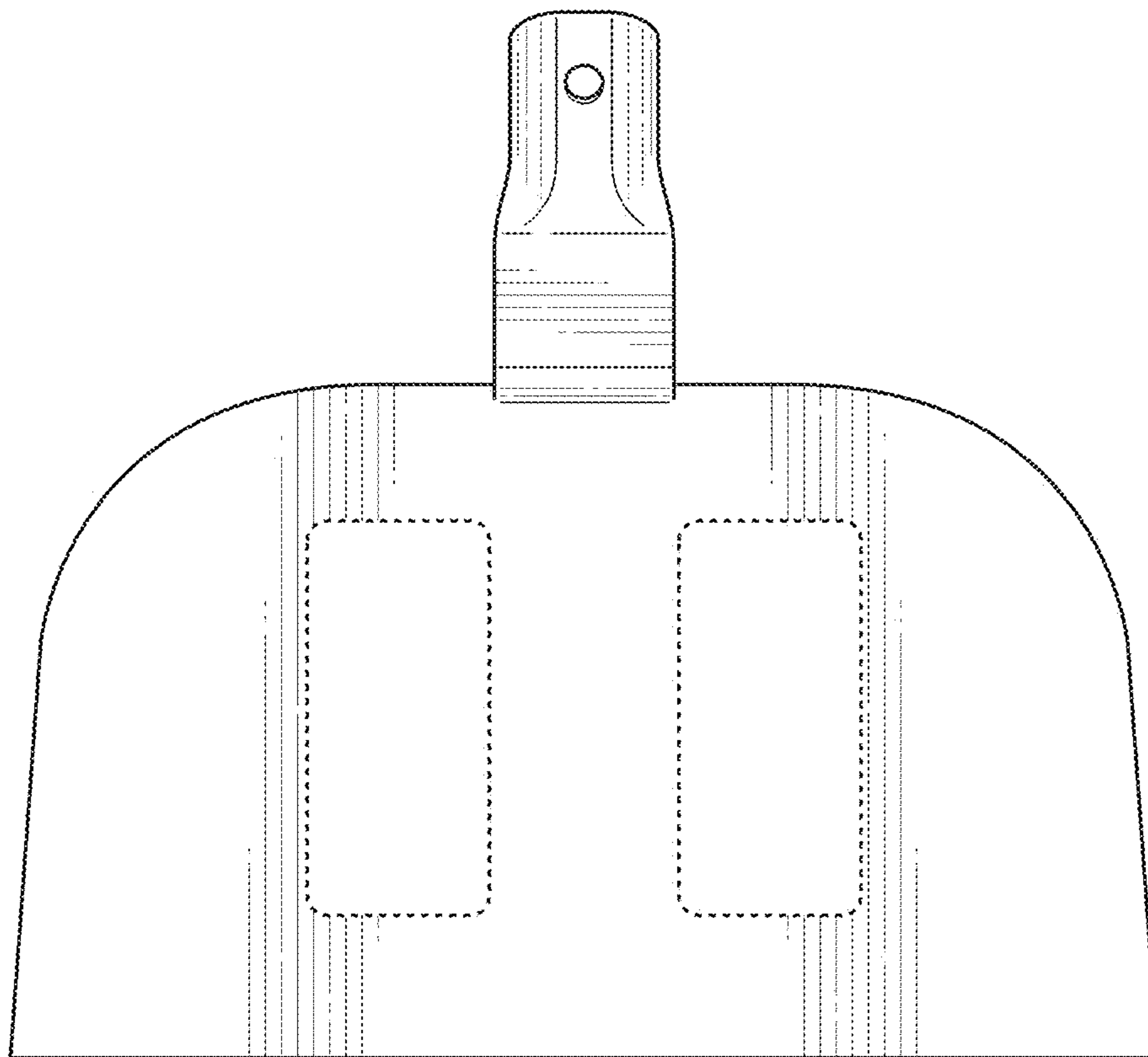


FIG. 2

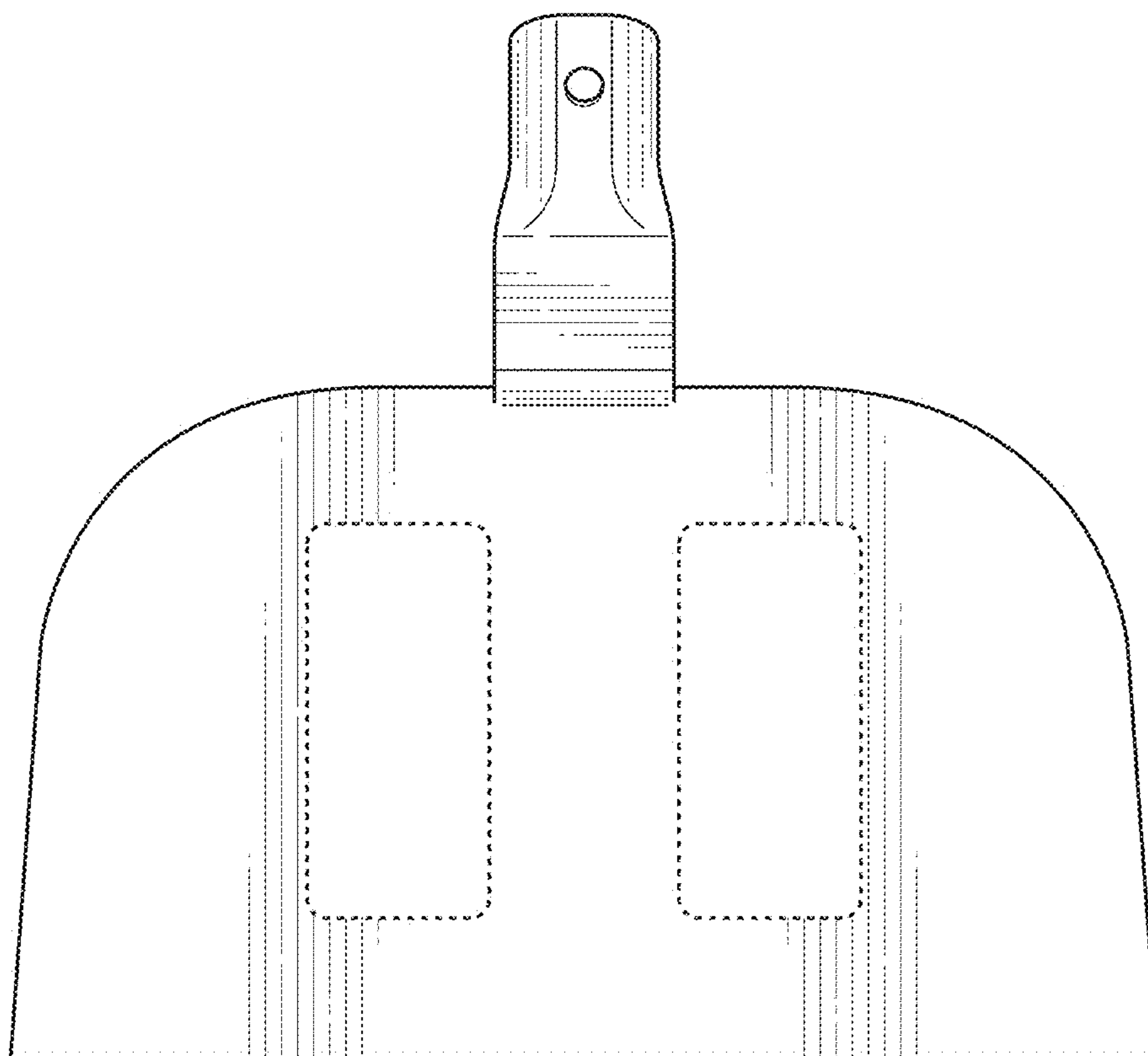


FIG. 3

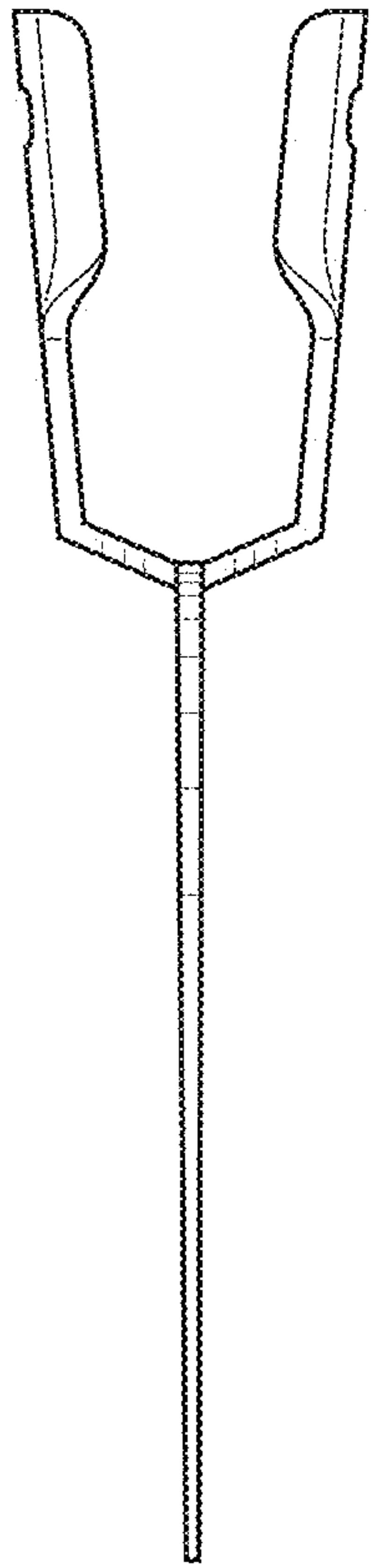


FIG. 4

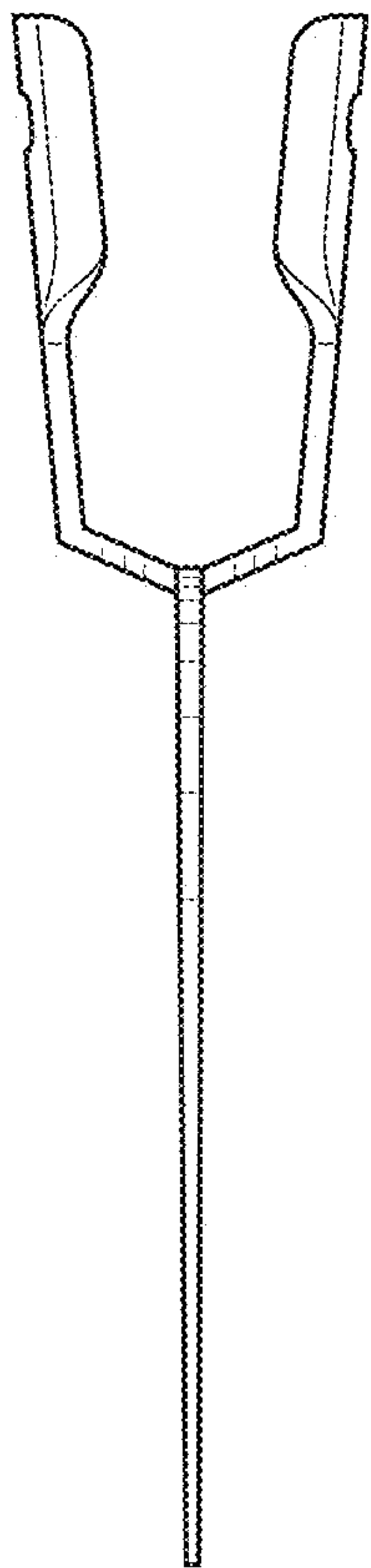


FIG. 5

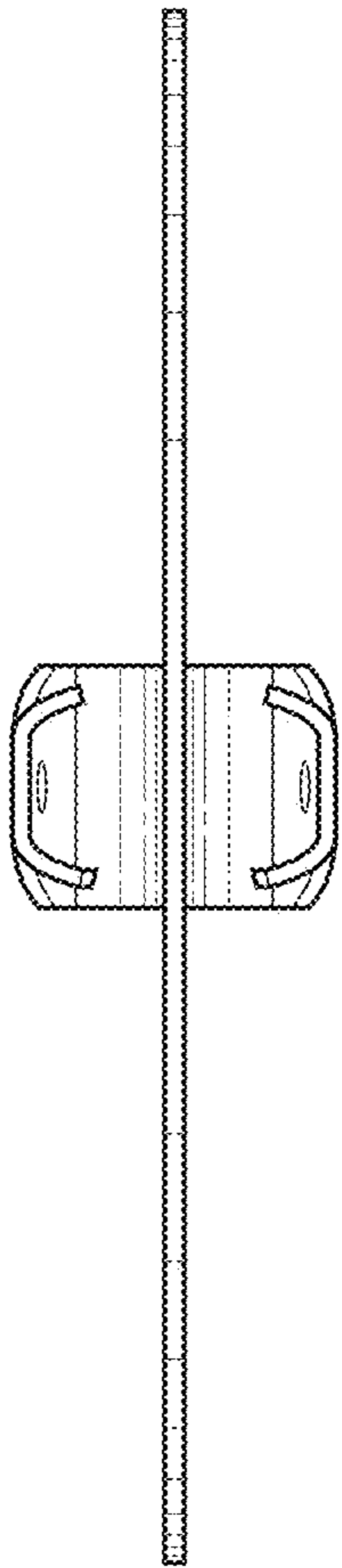


FIG. 6

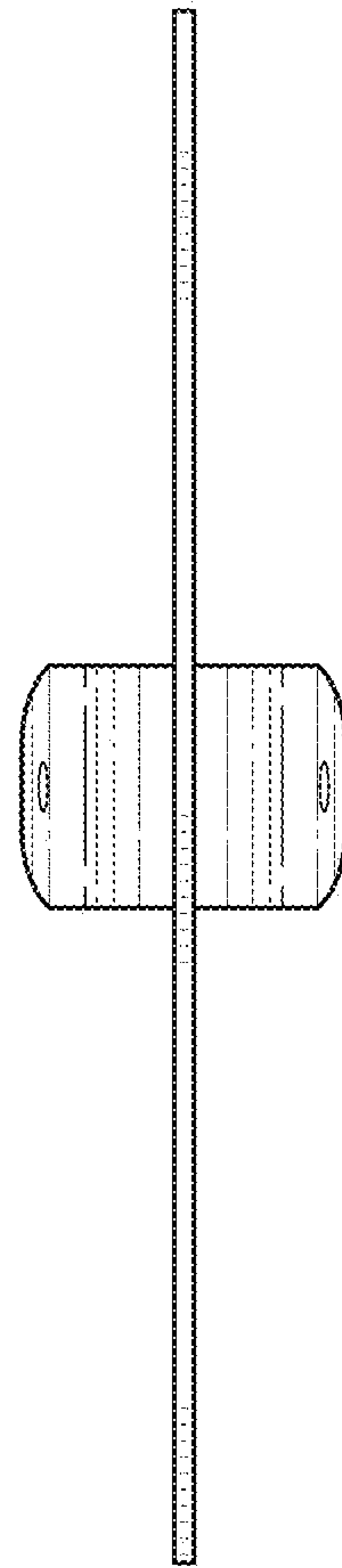


FIG. 7