



US00D956379S

(12) **United States Design Patent**
Zhou et al.

(10) **Patent No.:** **US D956,379 S**
(45) **Date of Patent:** **** Jun. 28, 2022**

(54) **FLOOR MOP**

(71) Applicant: **HUBEI DSTECH CO. LTD**, Ezhou (CN)

(72) Inventors: **Jie Zhou**, Wuhan (CN); **Kexue Wan**, Ezhou (CN)

(**) Term: **15 Years**

(21) Appl. No.: **29/746,823**

(22) Filed: **Aug. 18, 2020**

(30) **Foreign Application Priority Data**

May 13, 2020 (CN) 202030216214.9

(51) **LOC (13) Cl.** **15-05**

(52) **U.S. Cl.**
USPC **D32/45**

(58) **Field of Classification Search**
USPC D21/526; D32/17-18, 21-22, 45, 50-52
CPC A61B 6/501; A63H 33/305
See application file for complete search history.

(56) **References Cited**

U.S. PATENT DOCUMENTS

D303,171 S *	8/1989	Goodrich	D32/18
D338,090 S *	8/1993	Kamiyama	D32/45
D494,720 S *	8/2004	Rosenzweig	D32/22
D499,220 S *	11/2004	Kim	D32/22
D510,465 S *	10/2005	Takahashi	D32/22
D516,760 S *	3/2006	Choi	D32/22
D521,699 S *	5/2006	Greene	D32/22
D536,848 S *	2/2007	Shin	D32/18

D558,943 S *	1/2008	Labarbera	D32/22
D570,562 S *	6/2008	Paredes	D32/22
D633,264 S *	2/2011	Lee	D32/22
D661,034 S *	5/2012	Ediger	D32/45
D668,407 S *	10/2012	Bosses	D32/22
D673,337 S *	12/2012	Chow	D32/45
D677,844 S *	3/2013	Nicora	D32/22
D866,108 S *	11/2019	Palladino	D32/45
D934,521 S *	10/2021	Piksa	D32/45
2015/0082570 A1 *	3/2015	Davidshofer	A47L 13/258 15/228

FOREIGN PATENT DOCUMENTS

CN 306359603 * 3/2021

* cited by examiner

Primary Examiner — John R Yeh

(57) **CLAIM**

The ornamental design for a floor mop, as shown and described.

DESCRIPTION

FIG. 1 is a perspective view of a floor mop showing my new design;

FIG. 2 is another perspective view thereof;

FIG. 3 is a front elevational view thereof;

FIG. 4 is a rear elevational view thereof;

FIG. 5 is a left side elevational view thereof;

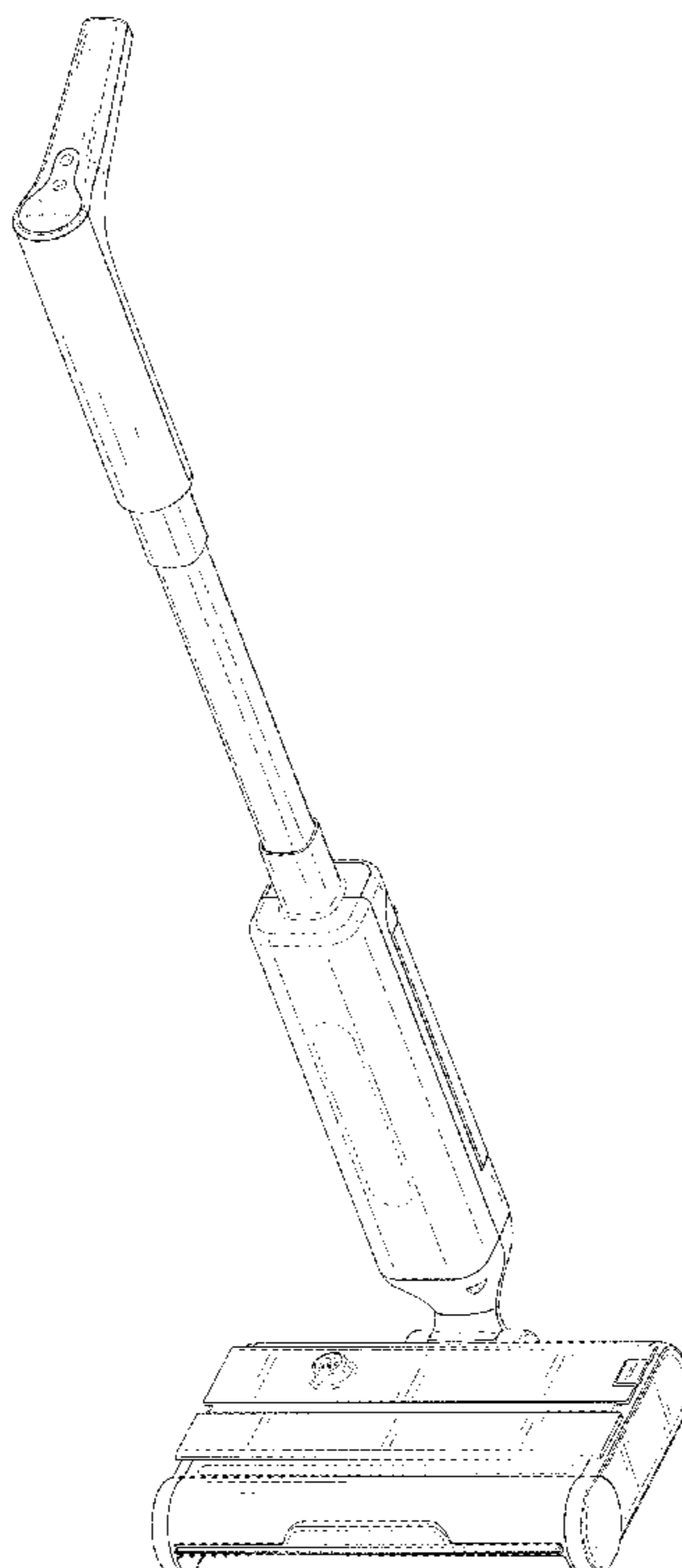
FIG. 6 is a right side elevational view thereof;

FIG. 7 is a top plan view thereof; and,

FIG. 8 is a bottom plan view thereof.

The broken lines in the drawings depict portions of the floor mop that form no part of the claimed design.

1 Claim, 8 Drawing Sheets



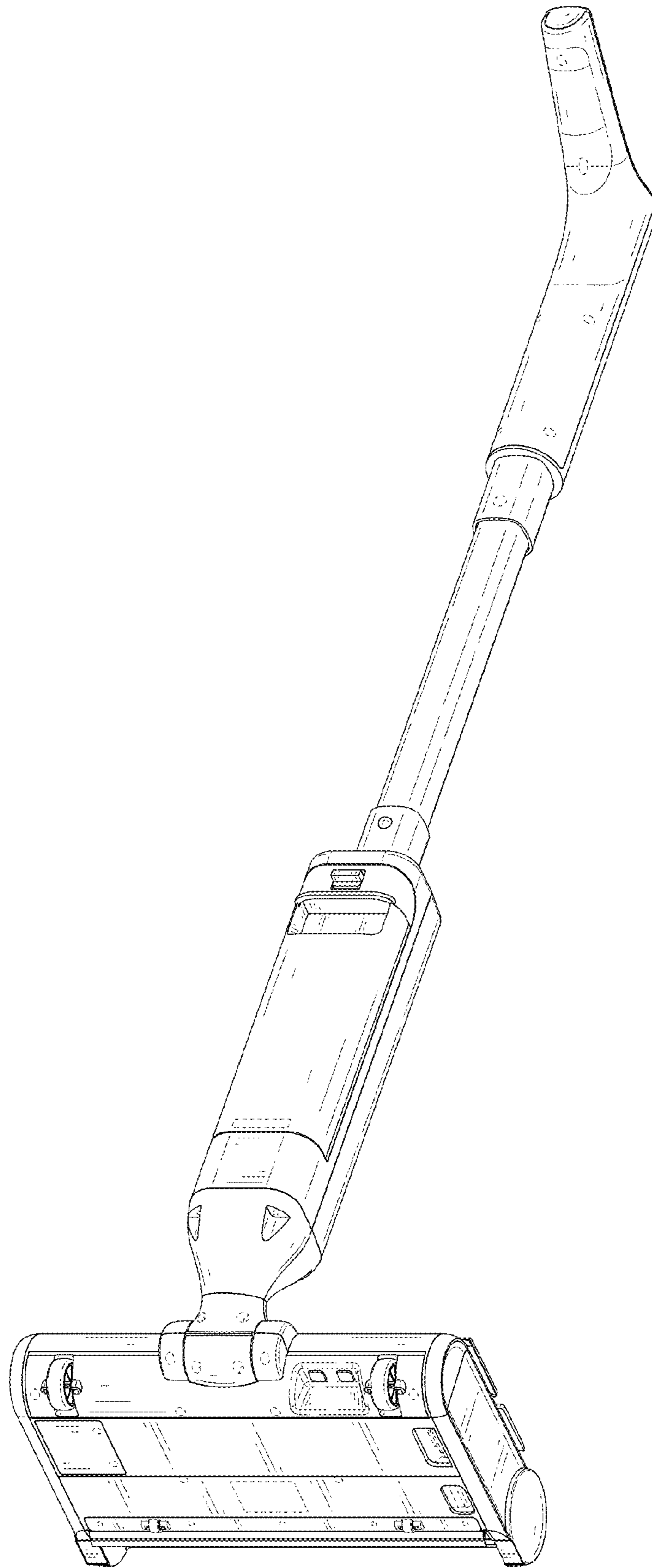


FIG. 1

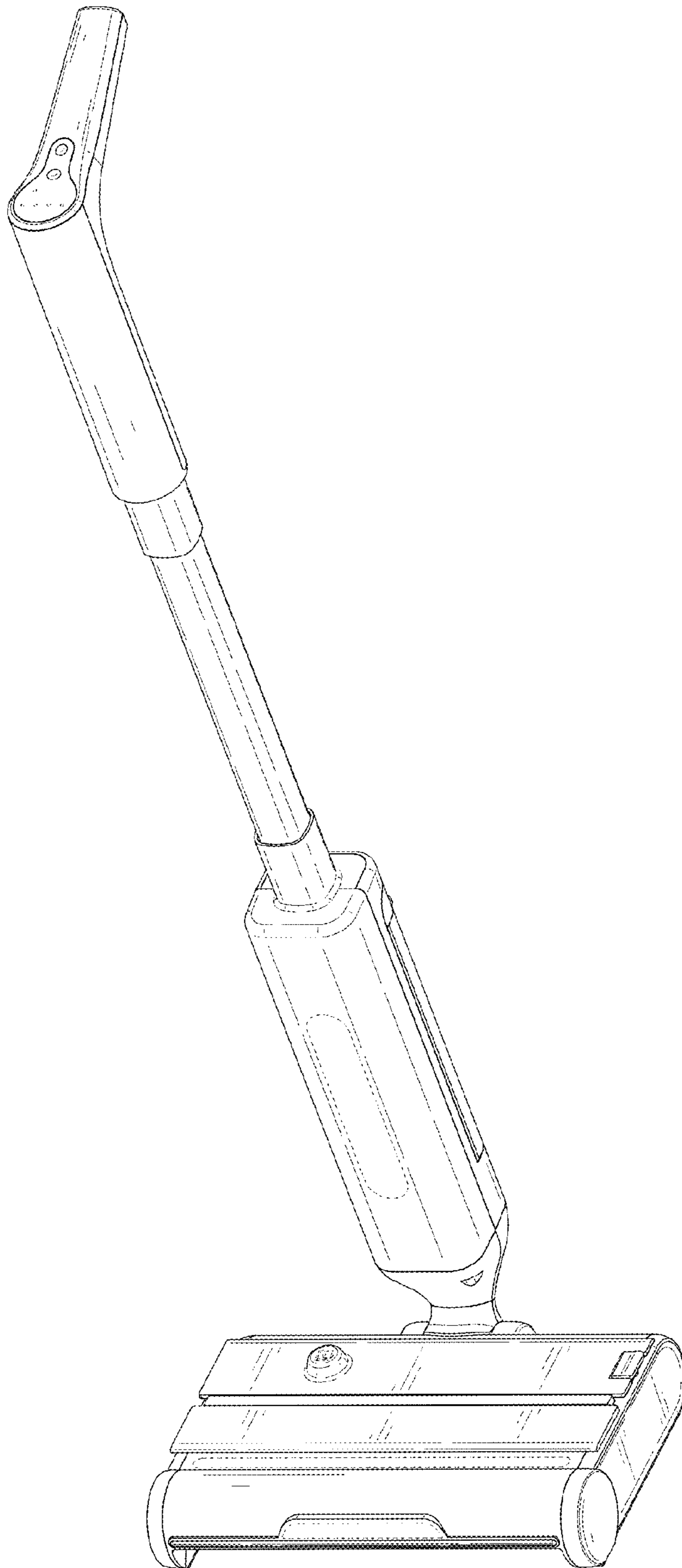


FIG. 2

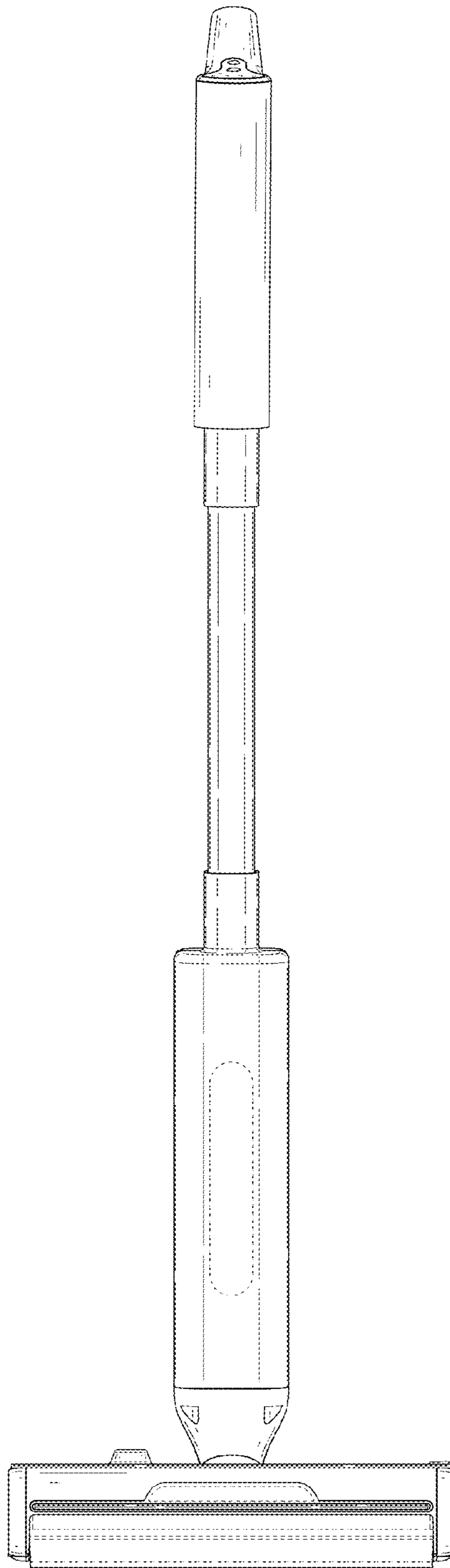


FIG. 3

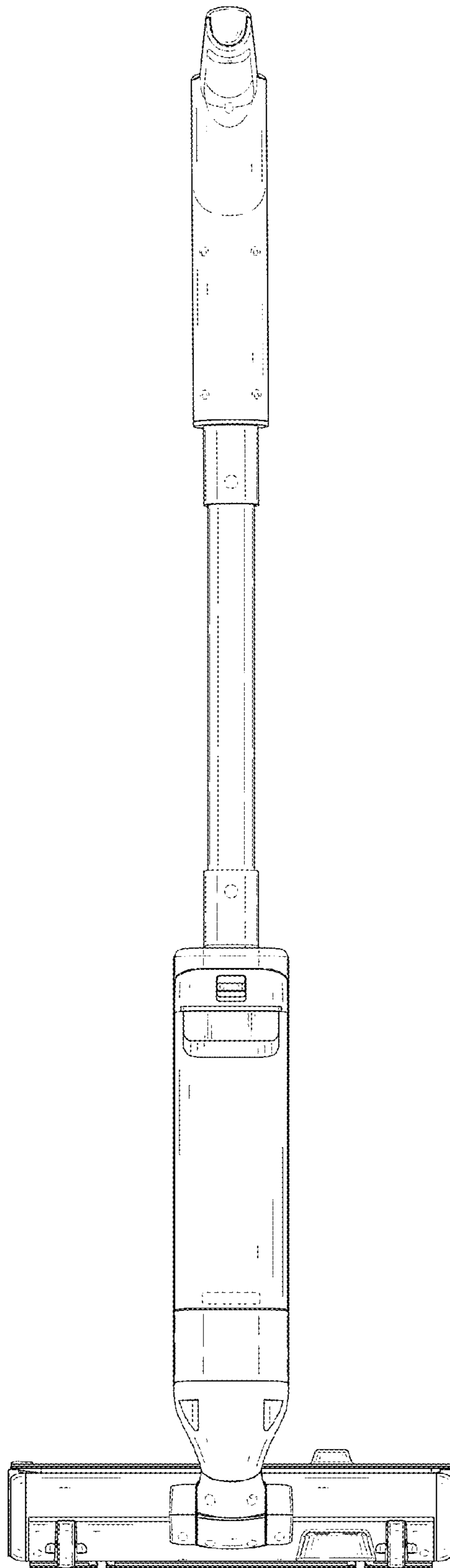


FIG. 4

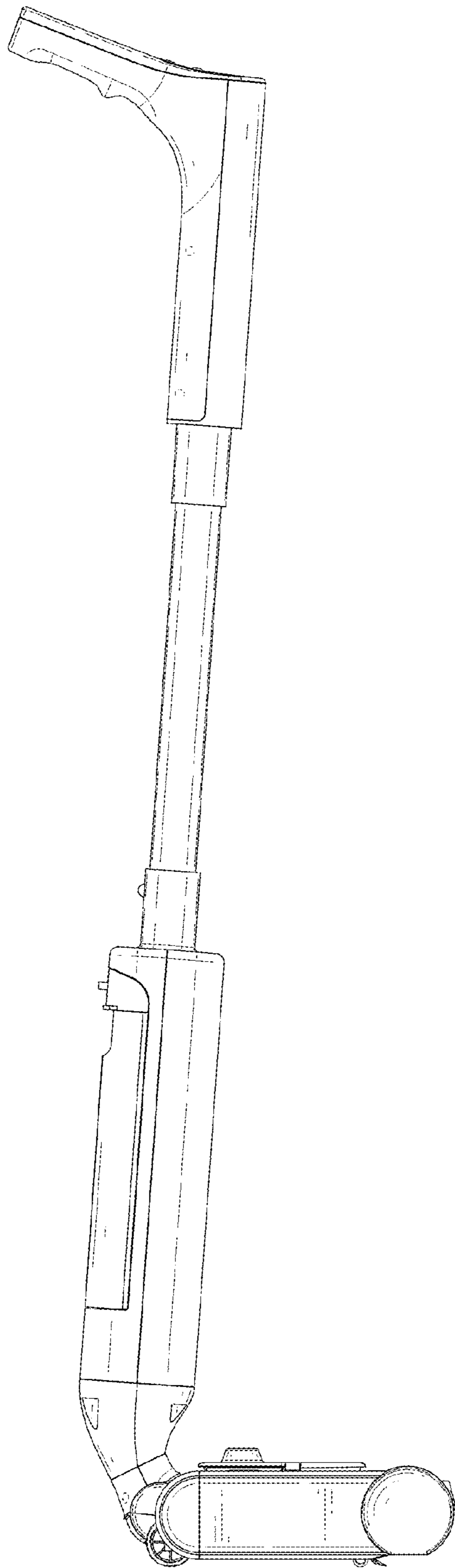


FIG. 5

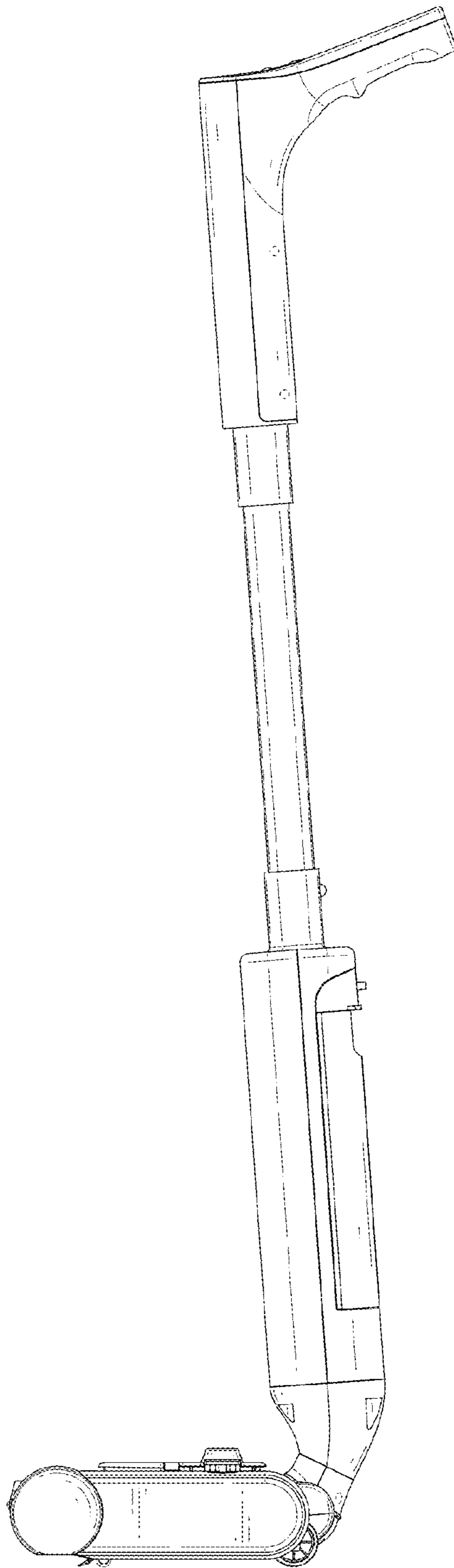


FIG. 6

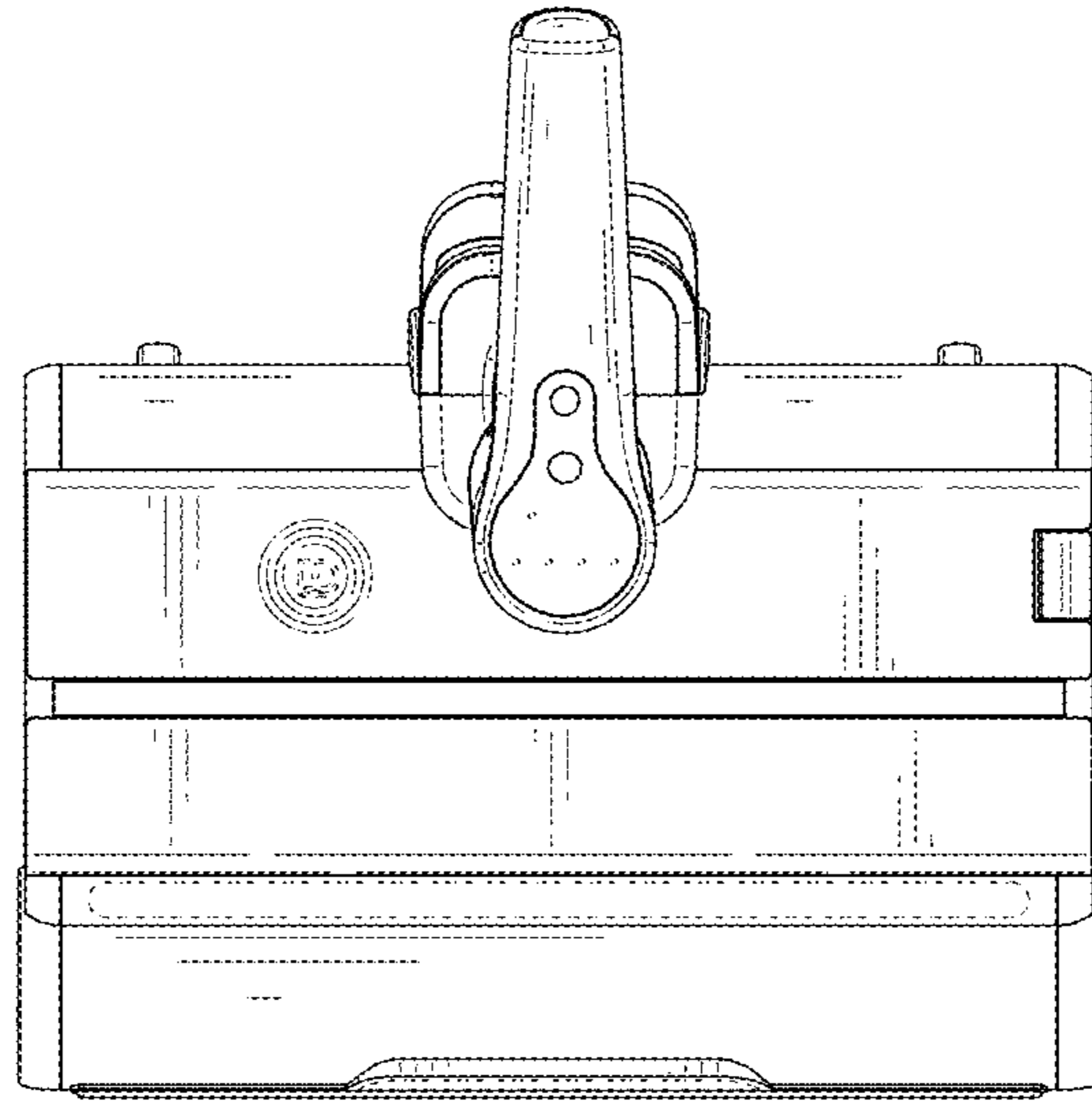


FIG. 7

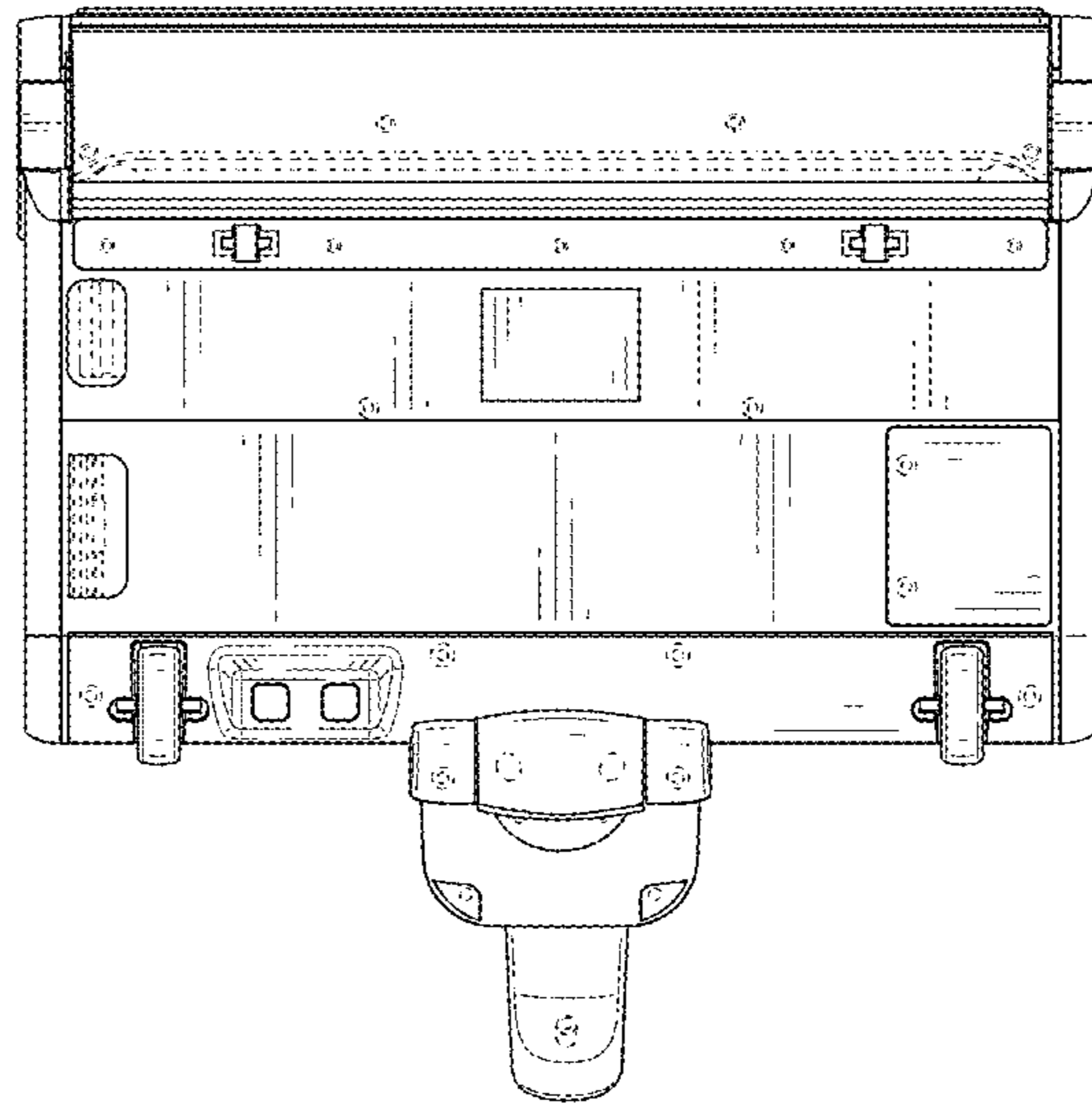


FIG. 8