



US00D956376S

(12) **United States Design Patent**
Chao

(10) **Patent No.:** **US D956,376 S**
(45) **Date of Patent:** **** Jun. 28, 2022**

- (54) **VACUUM BAG VALVE**
- (71) Applicant: **GOLDEEP Ltd.**, Taipei (TW)
- (72) Inventor: **Ta-Ching Chao**, New Taipei (TW)
- (73) Assignee: **GOLDEEP LTD.**, Taipei (TW)
- (**) Term: **15 Years**
- (21) Appl. No.: **29/717,619**
- (22) Filed: **Dec. 18, 2019**
- (51) **LOC (13) Cl.** **15-05**
- (52) **U.S. Cl.**
USPC **D32/31**
- (58) **Field of Classification Search**
USPC D32/1, 4, 15, 16, 23, 25, 31; D8/70,
D8/396; D9/435, 440, 447; D13/118,
D13/182; D15/126, 138; D23/213, 223,
D23/226-30, 233, 269, 363, 390;
D25/135
CPC ... A46B 13/001; A47L 7/0004; A47L 9/0472;
A47L 9/1691; A47L 9/242; A47L 9/2821;
A47L 11/4016; A47L 11/4019
See application file for complete search history.

(56) **References Cited**

U.S. PATENT DOCUMENTS

D149,475 S *	5/1948	Dreyfuss	D32/31
D149,476 S *	5/1948	Dreyfuss	D32/31
D200,760 S *	4/1965	Medley	D32/31

(Continued)

FOREIGN PATENT DOCUMENTS

CN	302093133	*	9/2012
CN	305849499	*	6/2020

OTHER PUBLICATIONS

Self sealing metal Reusable Vacuum Bag Connector Vacuum valve nozzle, available in aliexpress.com, customer review oldest date

Oct. 25, 2021 [online], [site visited Dec. 21, 2021, Available from the internet URL: <https://www.aliexpress.com/item/1005003212613825.html>? (Year: 2021).*

(Continued)

Primary Examiner — Amy C Wierenga

Assistant Examiner — Jennylou M Binas

(74) *Attorney, Agent, or Firm* — Birch, Stewart, Kolasch & Birch, LLP

(57) **CLAIM**

The ornamental design for a vacuum bag valve, as shown and described.

DESCRIPTION

FIG. 1 is a top, front, and right side perspective view of the first embodiment of a vacuum bag valve showing the new design;

FIG. 2 is a front view thereof;

FIG. 3 is a rear view thereof;

FIG. 4 is a left side view thereof;

FIG. 5 is a right side view thereof;

FIG. 6 is a top view thereof;

FIG. 7 is a bottom view thereof;

FIG. 8 is a bottom, rear, and left side perspective view thereof;

FIG. 9 is a top, front, and right side perspective view of the second embodiment of the vacuum bag valve showing the new design;

FIG. 10 is a front view thereof;

FIG. 11 is a rear view thereof;

FIG. 12 is a left side view thereof;

FIG. 13 is a right side view thereof;

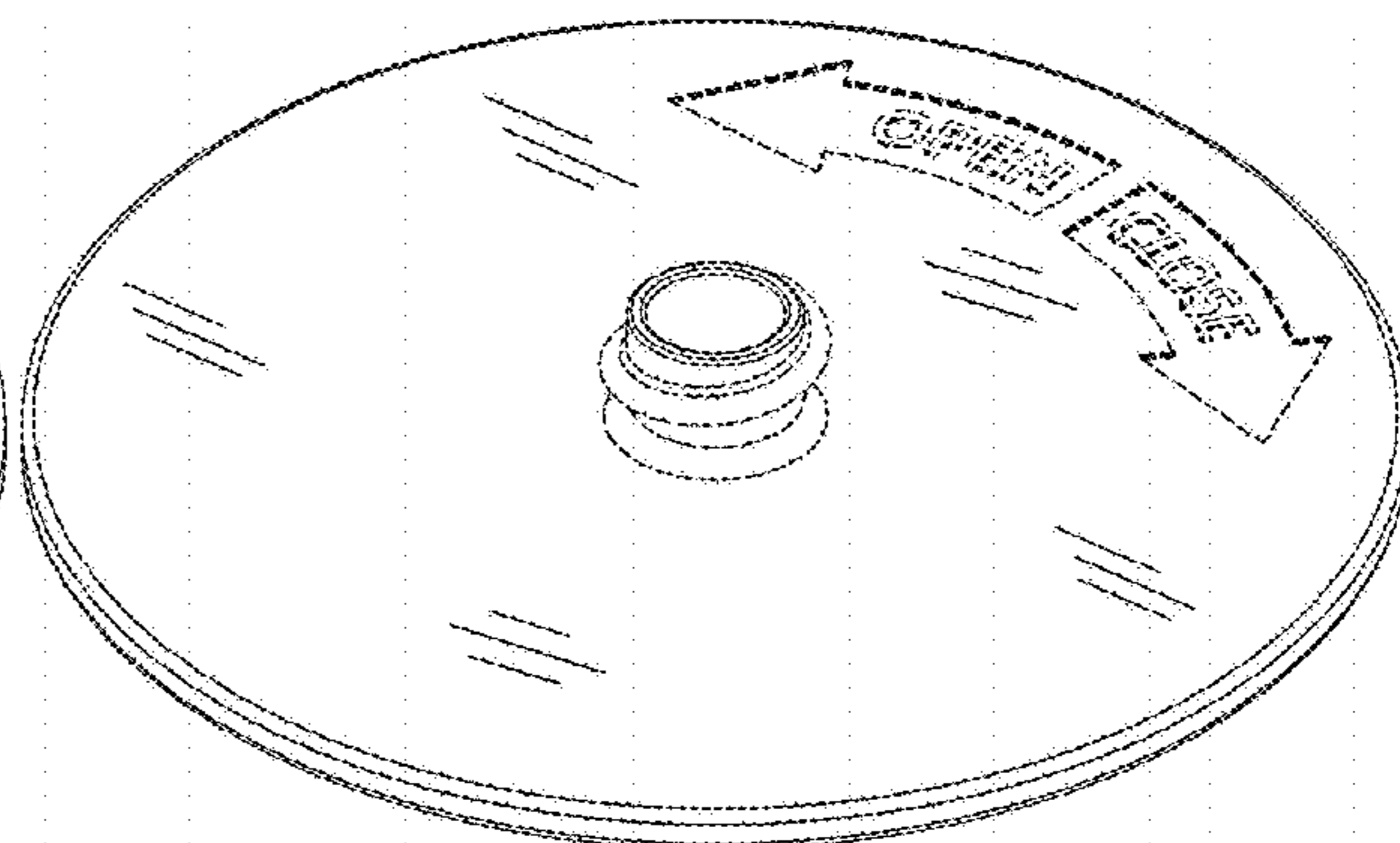
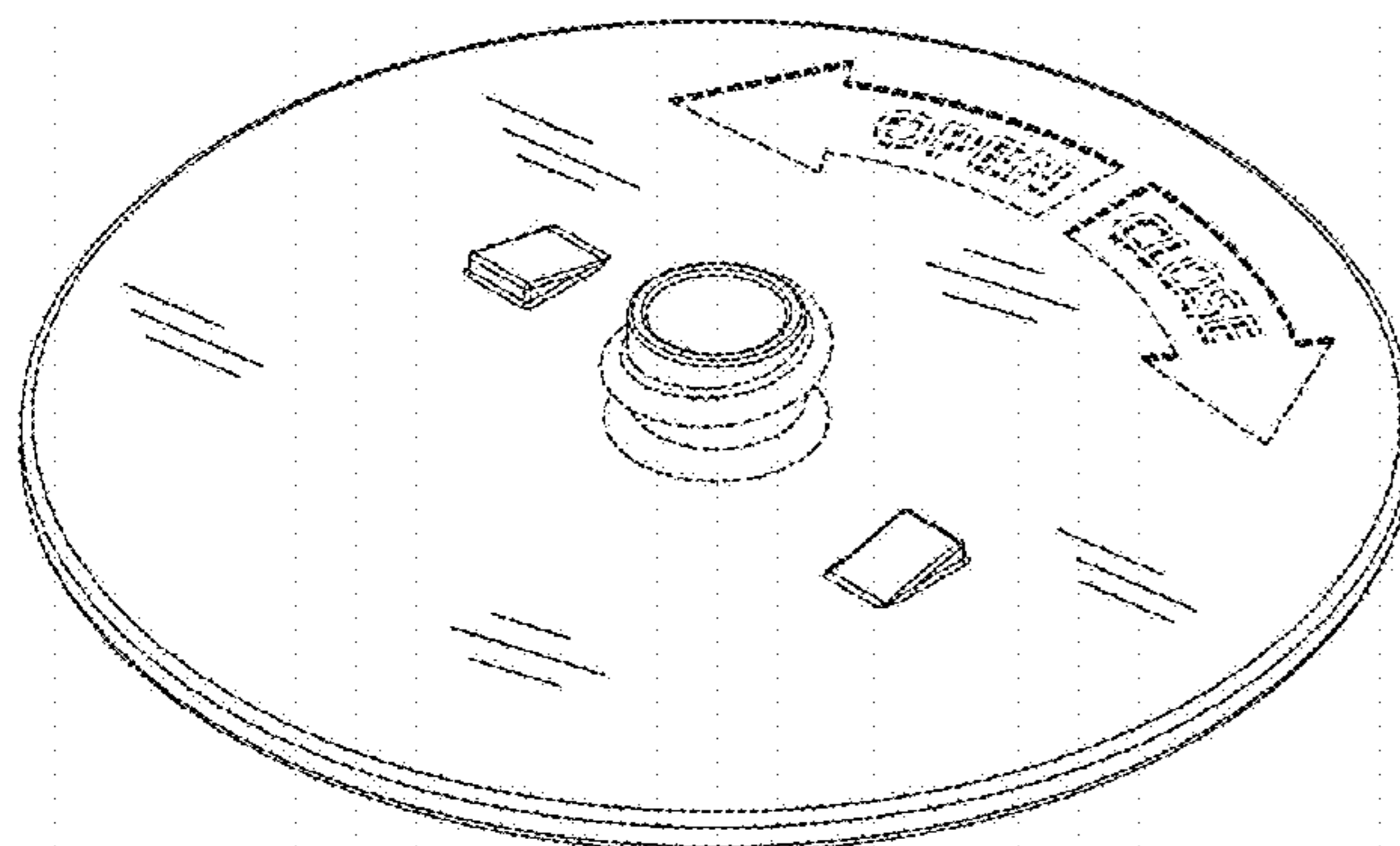
FIG. 14 is a top view thereof;

FIG. 15 is a bottom view thereof; and,

FIG. 16 is a bottom, rear, and left side perspective view thereof.

Features of the vacuum bag valve shown in broken lines in the drawings form no part of the claimed design.

1 Claim, 16 Drawing Sheets



(56)

References Cited

U.S. PATENT DOCUMENTS

D213,016 S * 12/1968 Kleemeier D32/25
 D233,213 S * 10/1974 Anderson D8/352
 D274,853 S * 7/1984 Withers, Sr. D32/25
 D275,617 S * 9/1984 Pichelman D32/25
 D305,815 S * 1/1990 Brooks D32/31
 D381,139 S * 7/1997 Johnson D32/19
 D394,530 S * 5/1998 Roeker D32/25
 D410,782 S * 6/1999 Siemers D32/25
 D423,155 S * 4/2000 Paynter D32/31
 D468,497 S * 1/2003 Lovely, Jr. D32/31
 D473,685 S * 4/2003 McLain D32/25
 D478,697 S * 8/2003 Song D32/25
 D481,182 S * 10/2003 McGill D32/25
 D524,497 S * 7/2006 Bruneau D32/31
 D532,946 S * 11/2006 Gansebom D32/25
 D627,718 S * 11/2010 Houghton D13/108
 D631,626 S * 1/2011 Raddick D32/25
 D684,739 S * 6/2013 Arnold D32/25

D764,727 S * 8/2016 Coughlan D32/25
 D798,911 S * 10/2017 Chao D15/7
 D826,496 S * 8/2018 Witter D32/31
 D931,240 S * 9/2021 Lee D13/182

OTHER PUBLICATIONS

Vacuum Bagging Connector, available in Amazon.com, date first available Sep. 11, 2018 [online], [site visited Dec. 21, 2021], Available from the internet URL: https://www.amazon.com/Vacuum-Bagging-Connector-Carbon-Fiber/dp/B07H8PNHRC/ref=sr_1_3? (Year: 2018).*

Light Reusable Vacuum Bag Connector Accessories for Vacuum Infusion Valve, available in Amazon.ca, date first available 04/16/20218 [online], [site visited Dec. 21, 2021], Available from the internet URL: https://www.amazon.ca/Reusable-Vacuum-Connector-Accessories-Infusion/dp/B092PVPK21/ref=sr_1_114? (Year: 2021).*

* cited by examiner

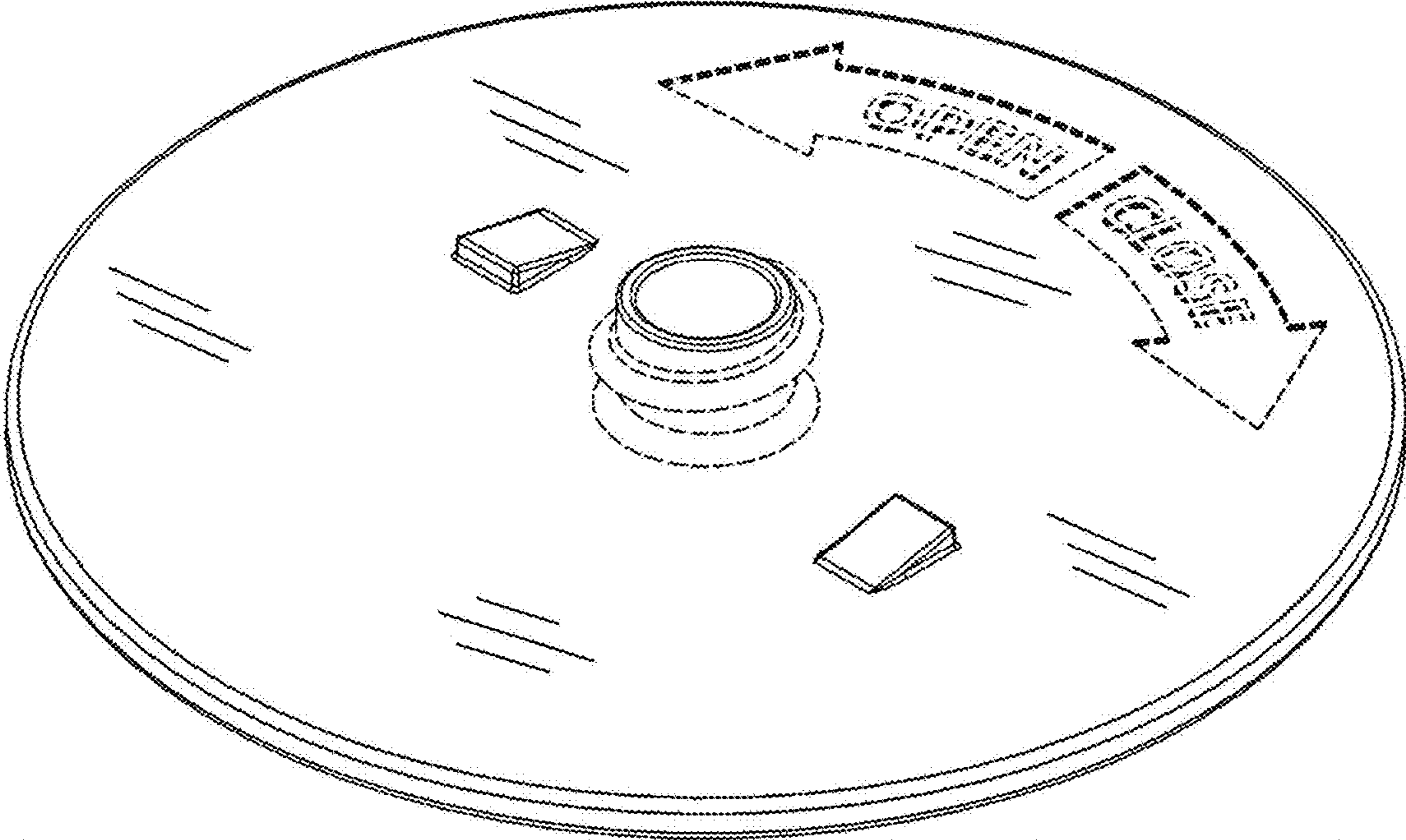


FIG. 1

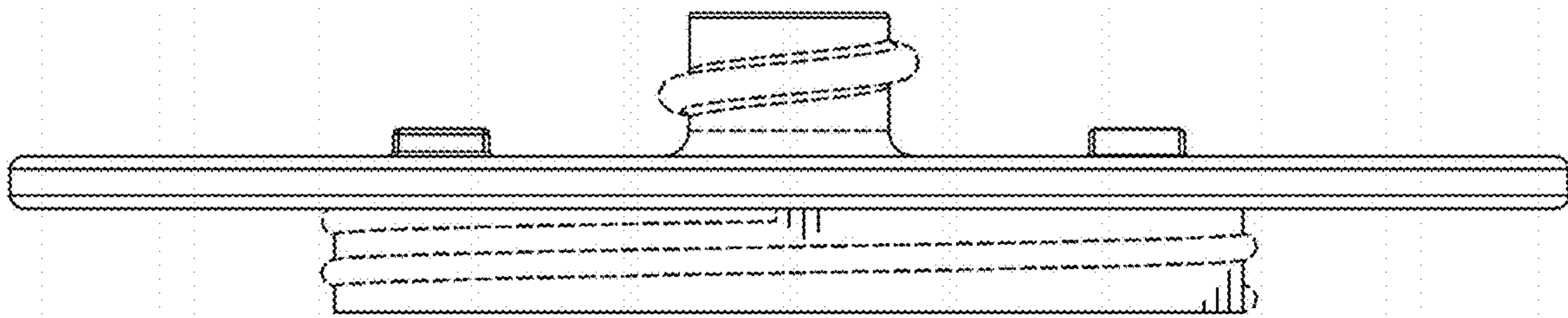


FIG. 2

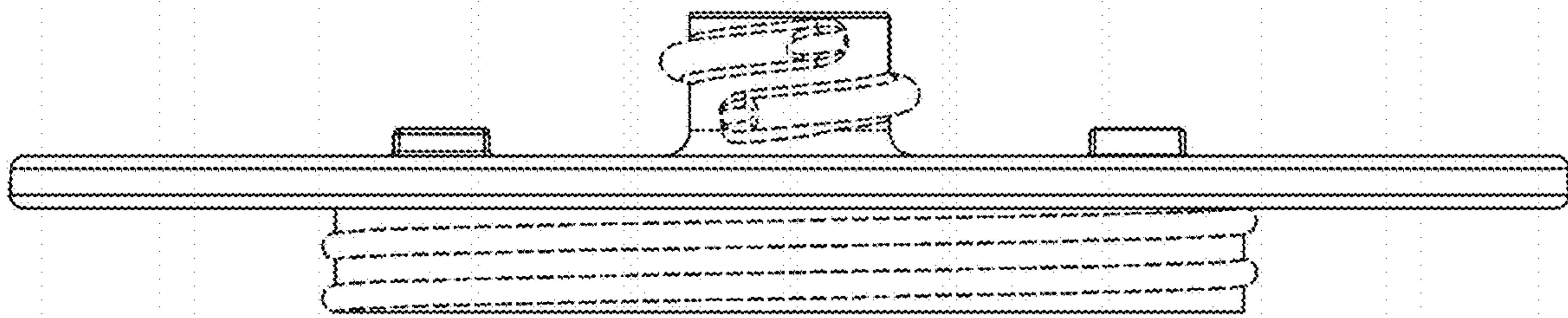


FIG. 3

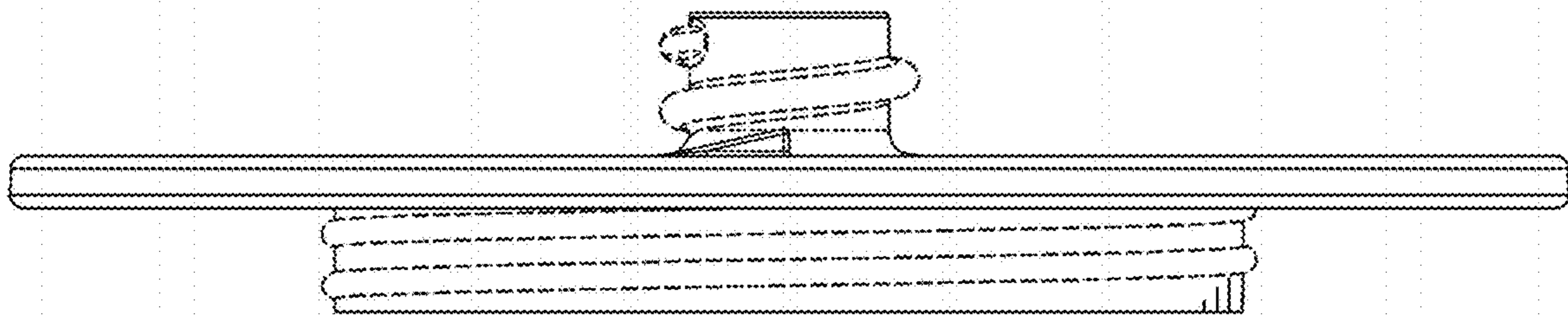


FIG. 4

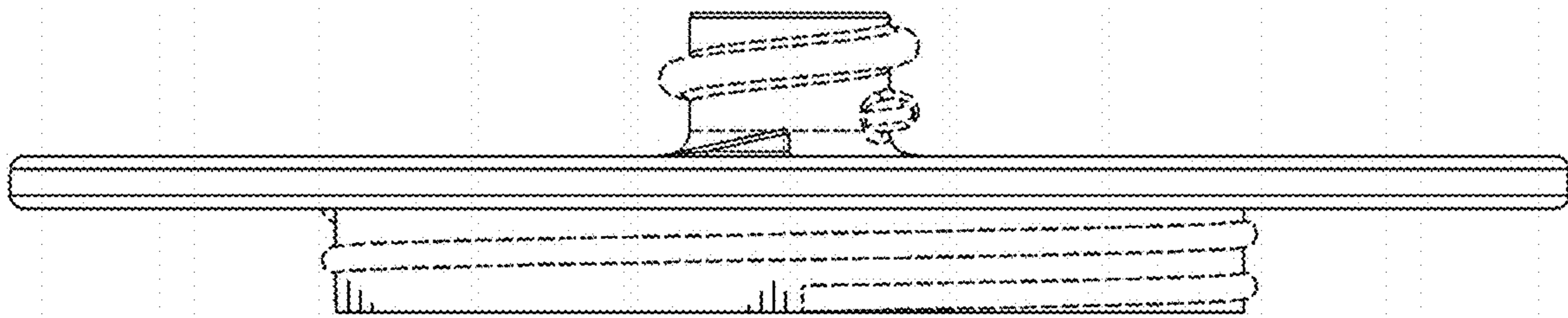


FIG. 5

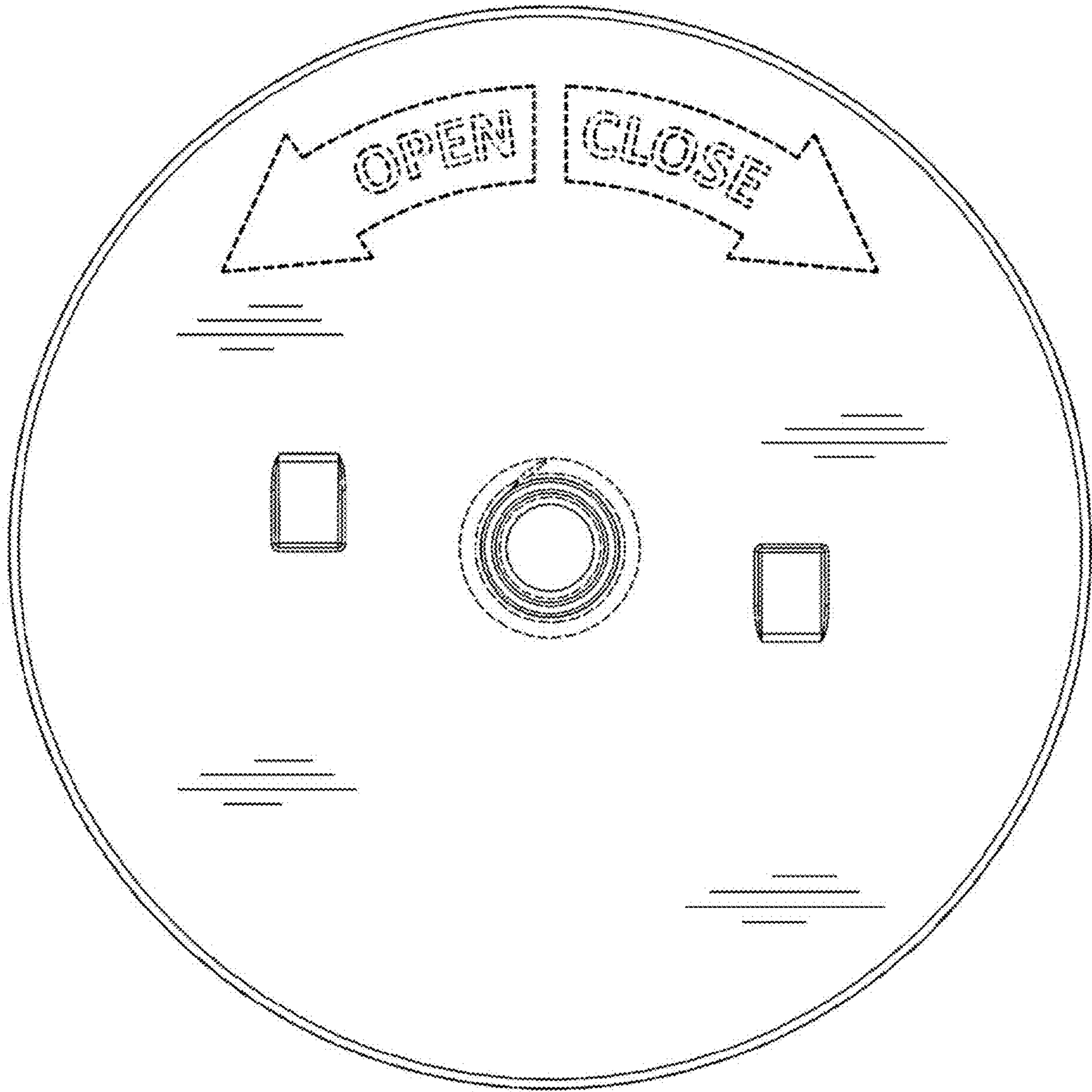


FIG. 6

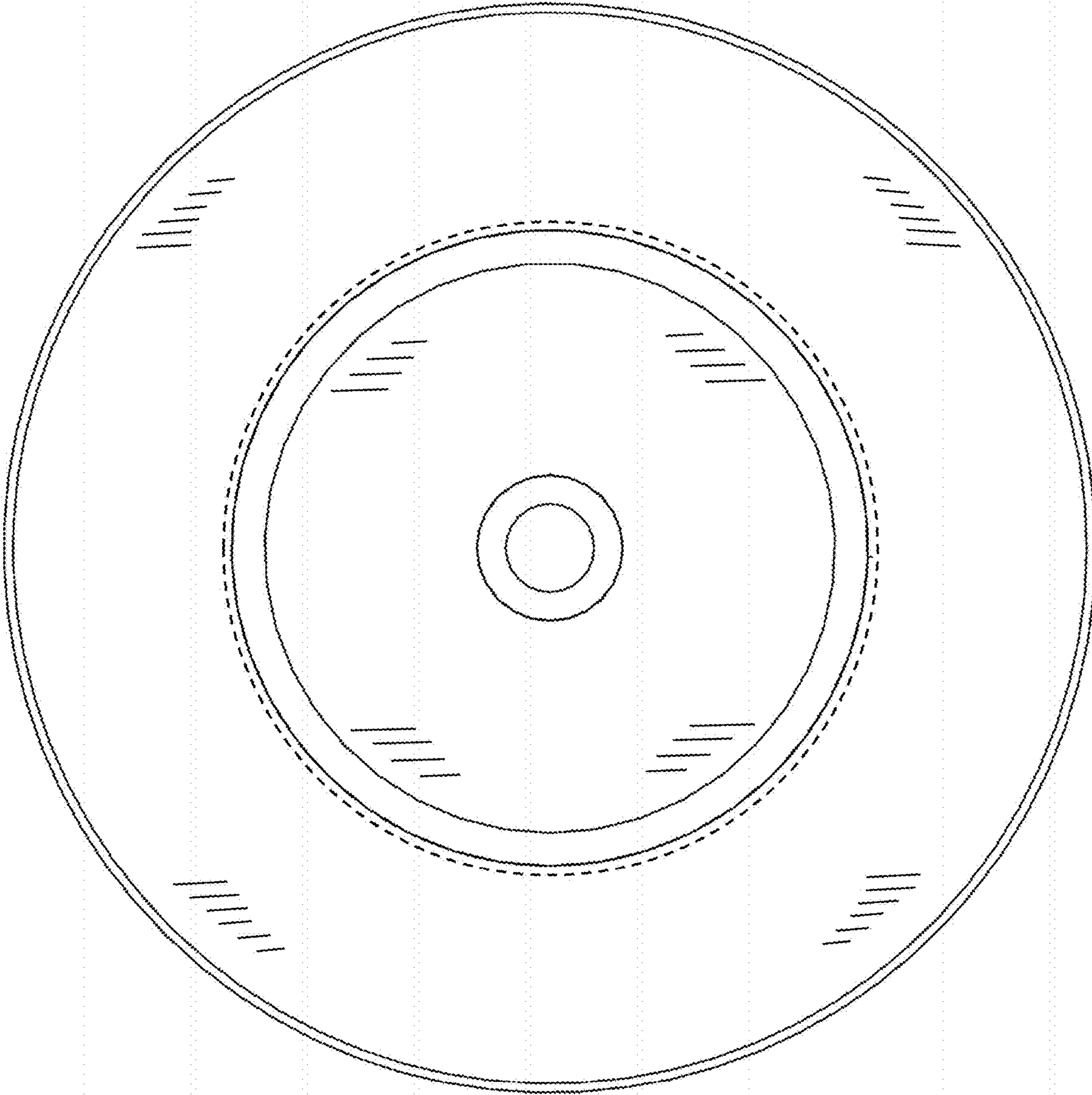


FIG. 7

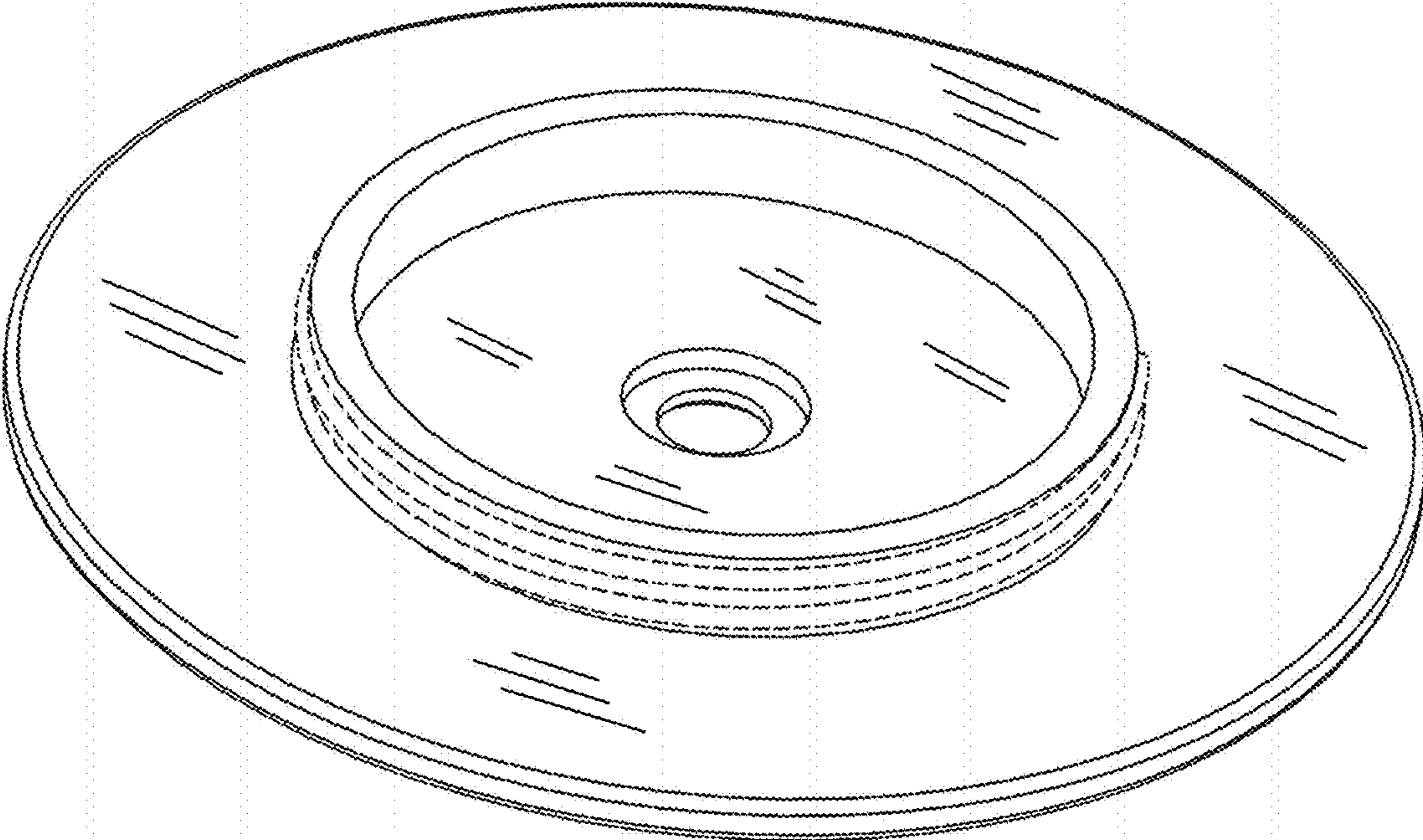


FIG. 8

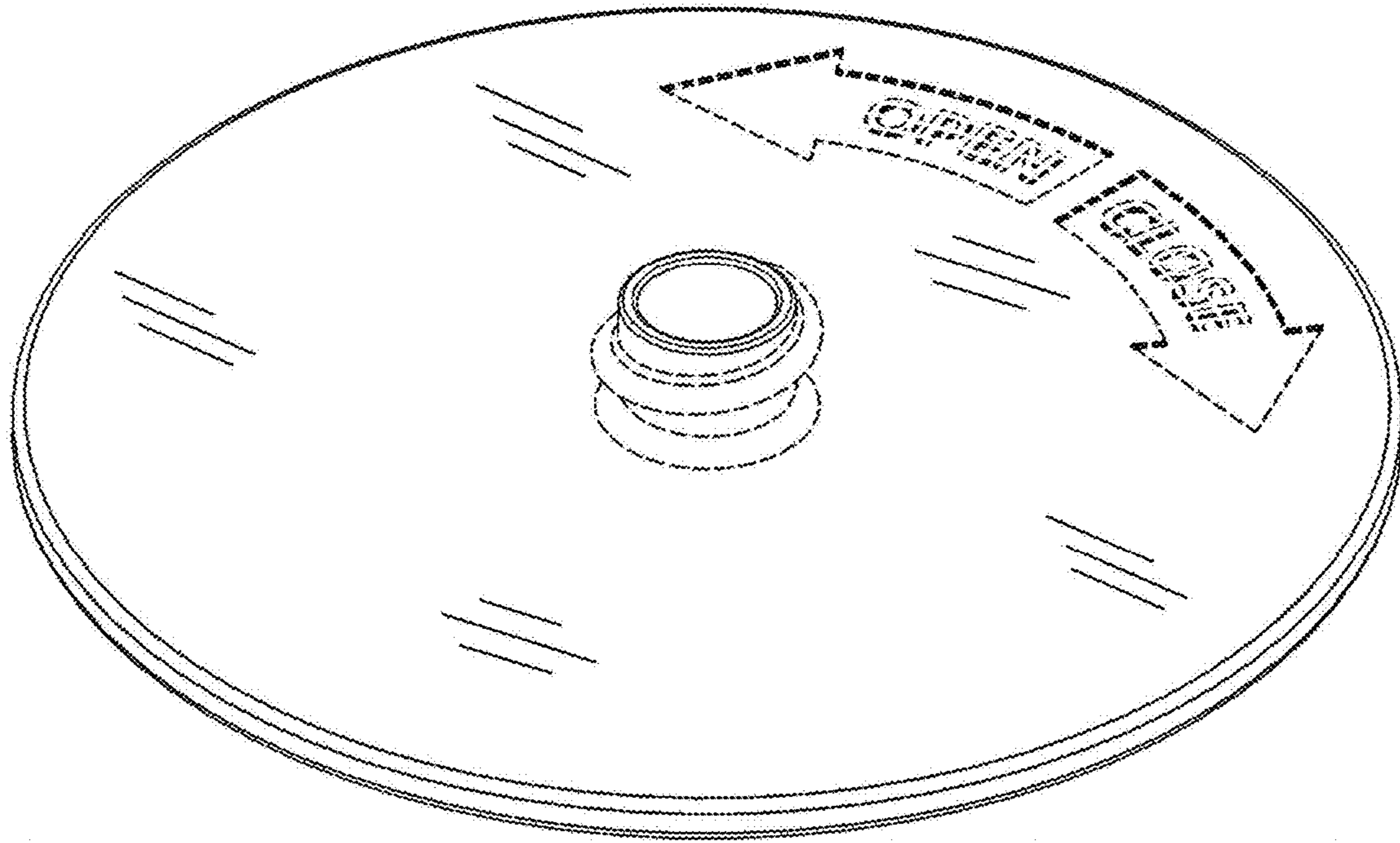


FIG. 9

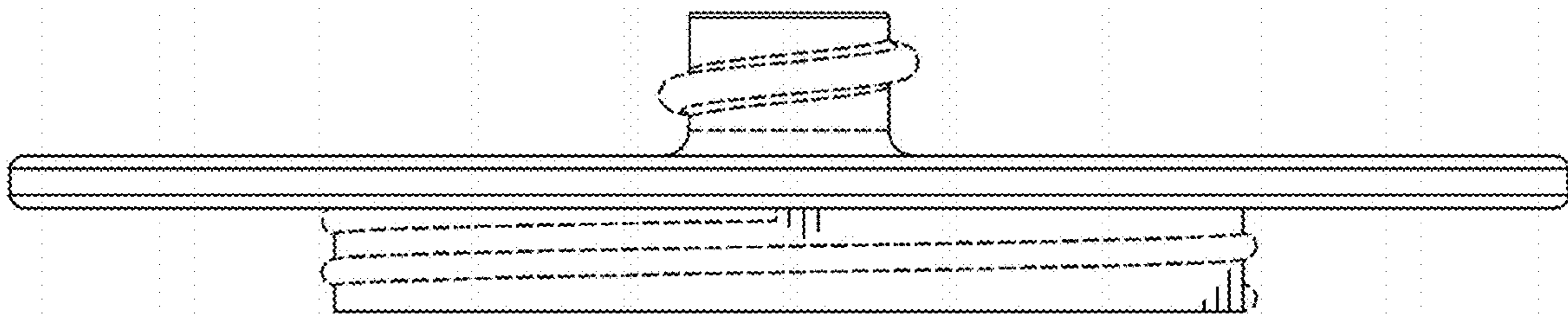


FIG. 10

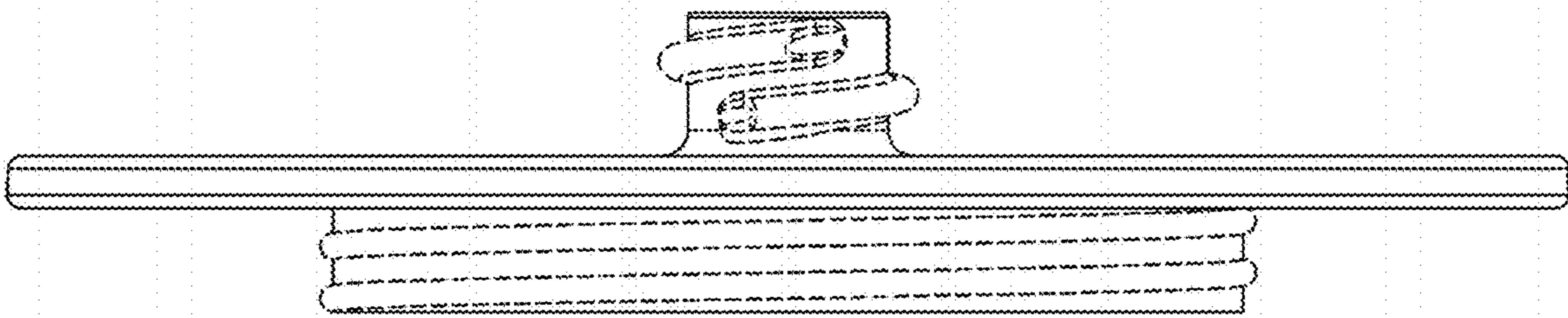


FIG. 11

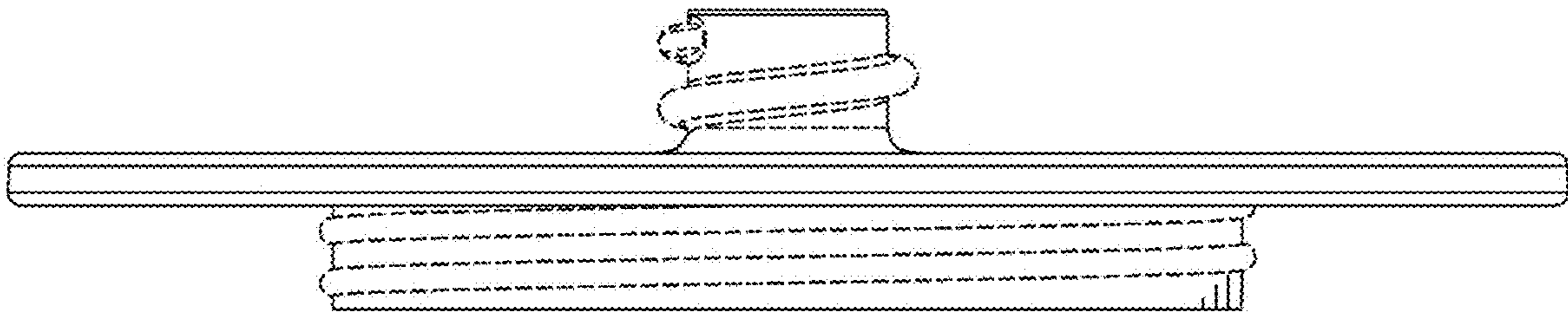


FIG. 12

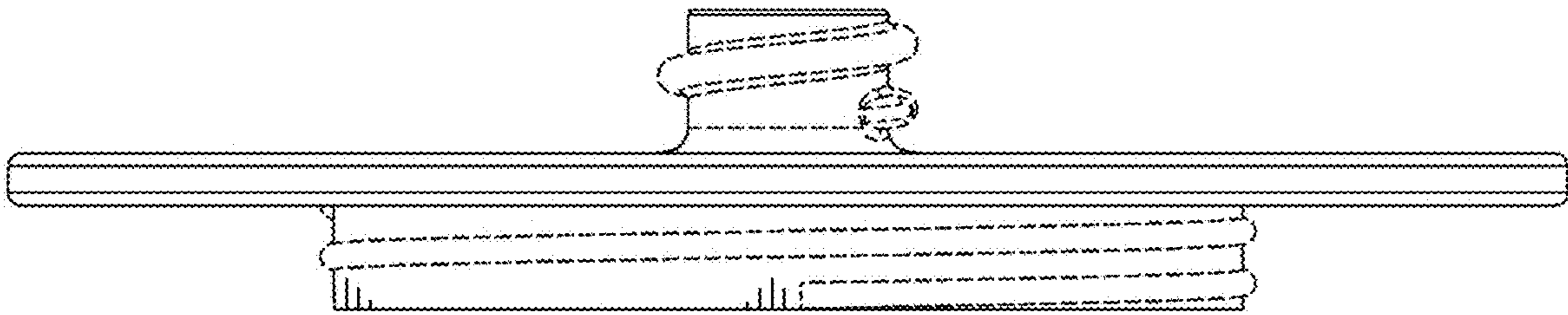


FIG. 13

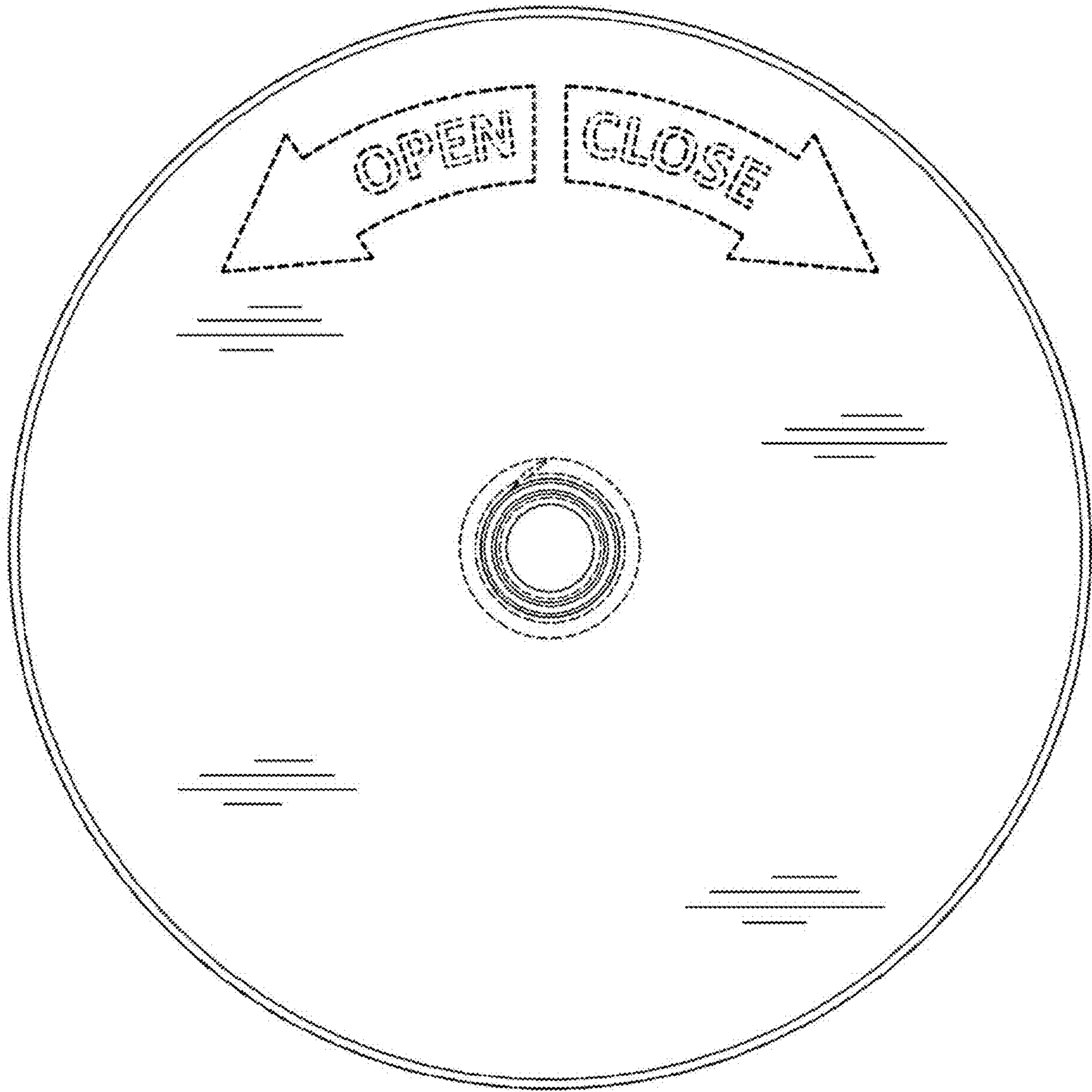


FIG. 14

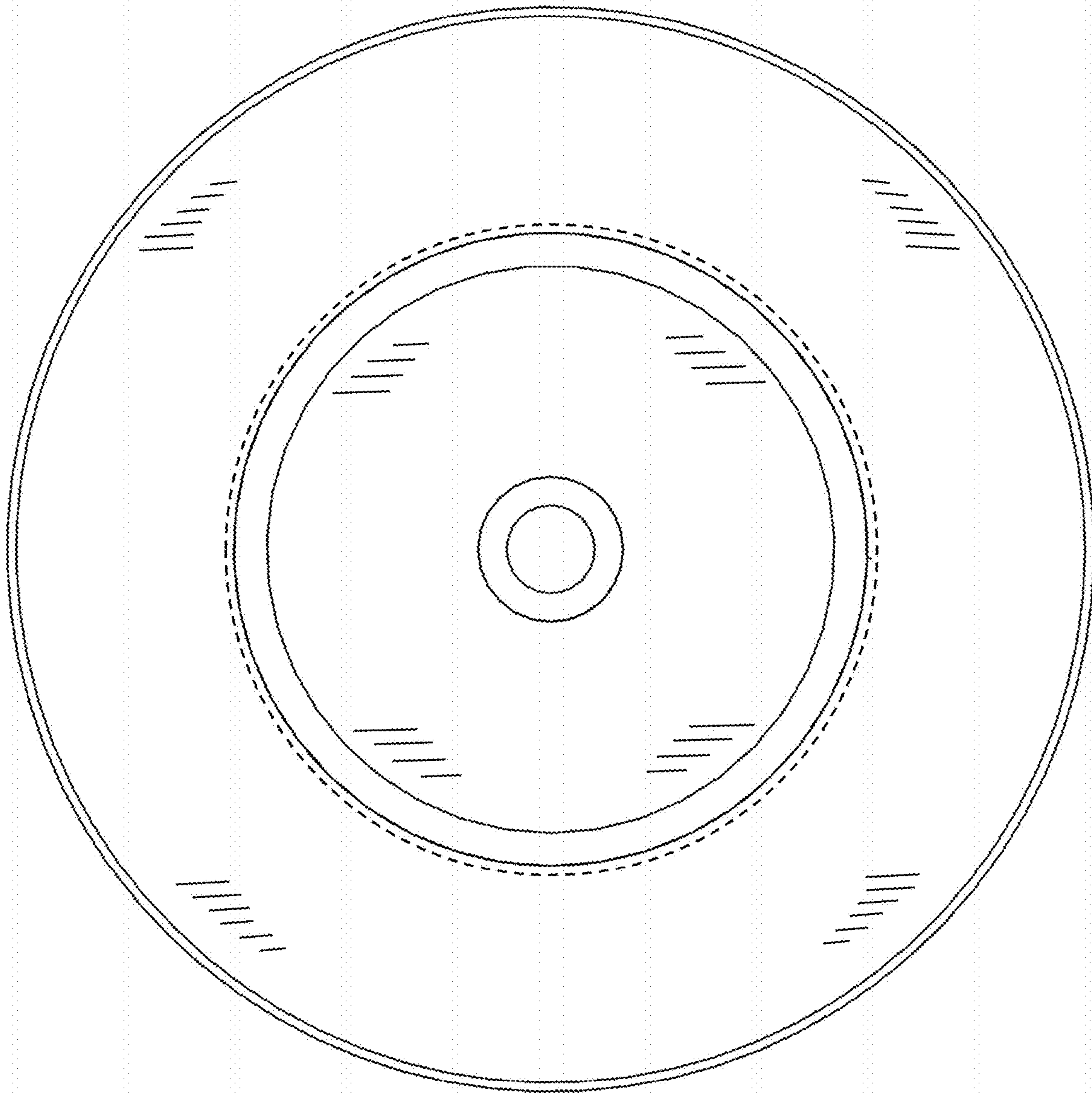


FIG. 15

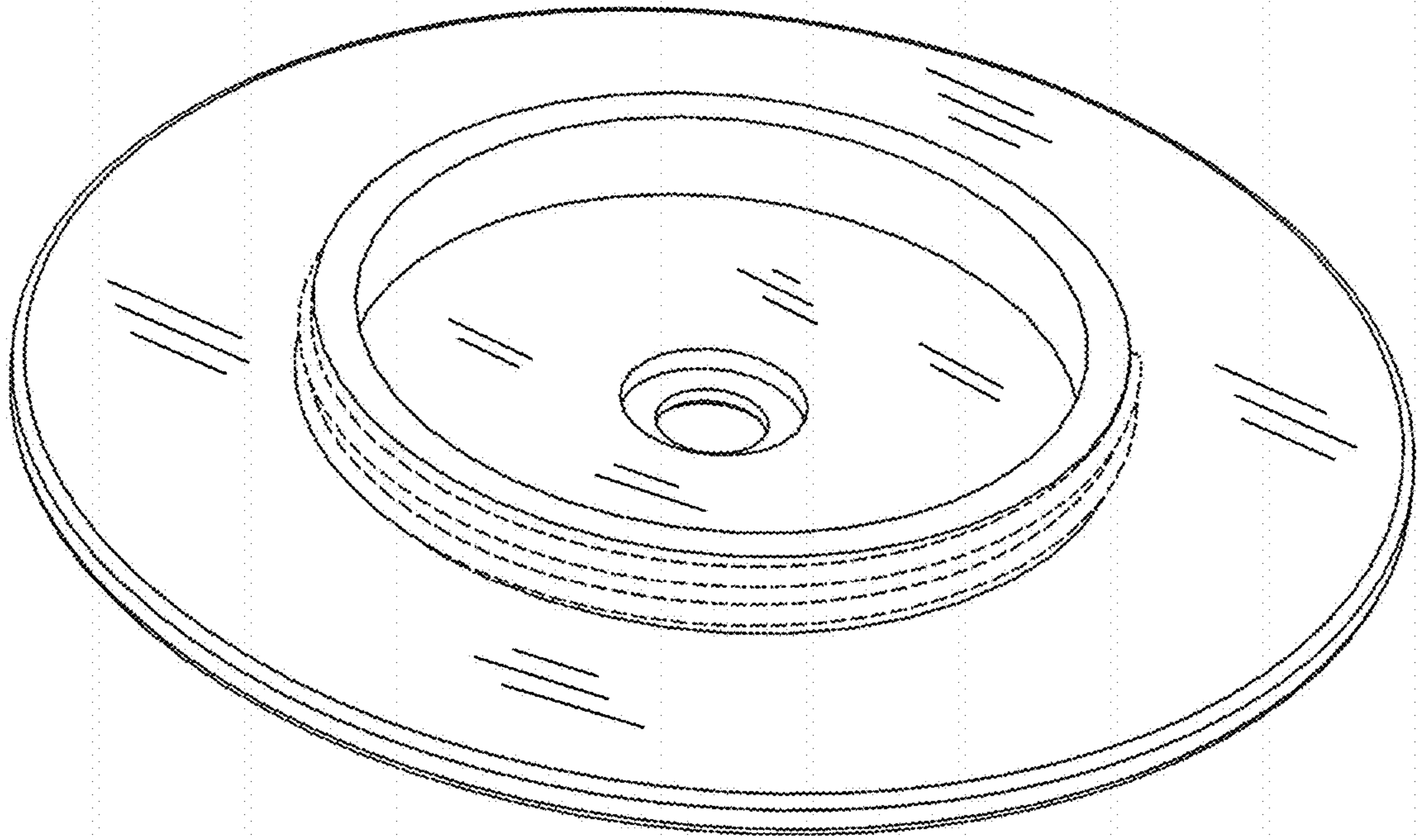


FIG. 16