

US00D956374S

(12) **United States Design Patent** (10) **Patent No.:** **US D956,374 S**
Suzuki et al. (45) **Date of Patent:** **** Jun. 28, 2022**

(54) **VACUUM CLEANER**
 (71) Applicant: **MAKITA CORPORATION**, Anjo (JP)
 (72) Inventors: **Wataru Suzuki**, Anjo (JP); **Akinori Ito**, Anjo (JP)
 (73) Assignee: **MAKITA CORPORATION**, Anjo (JP)
 (**) Term: **15 Years**

(21) Appl. No.: **29/681,739**
 (22) Filed: **Feb. 27, 2019**

(30) **Foreign Application Priority Data**
 Aug. 31, 2018 (JP) 2018-018991
 (51) **LOC (13) Cl.** **15-05**
 (52) **U.S. Cl.**
 USPC **D32/18**
 (58) **Field of Classification Search**
 USPC D32/17-18, 22, 31-34, 15, 16, 21, 25;
 D8/61-62, 66; 15/302, 321
 CPC ... A47L 5/24; A47L 5/225; A47L 5/36; A47L
 9/327; A47L 9/244; A47L 5/28; A47L
 9/32;

(Continued)

(56) **References Cited**
 U.S. PATENT DOCUMENTS
 7,886,954 B2 * 2/2011 Mochizuki B23K 3/033
 219/229
 D827,956 S * 9/2018 Spratt D32/21
 D844,913 S * 4/2019 Palladino D32/18

(Continued)

FOREIGN PATENT DOCUMENTS
 EM 004720183-0001 2/2018
 EM 004720183-0002 2/2018

Primary Examiner — Manpreet S Matharu
Assistant Examiner — Yolanda Robinson
 (74) *Attorney, Agent, or Firm* — Global IP Counselors,
 LLP

(57) **CLAIM**

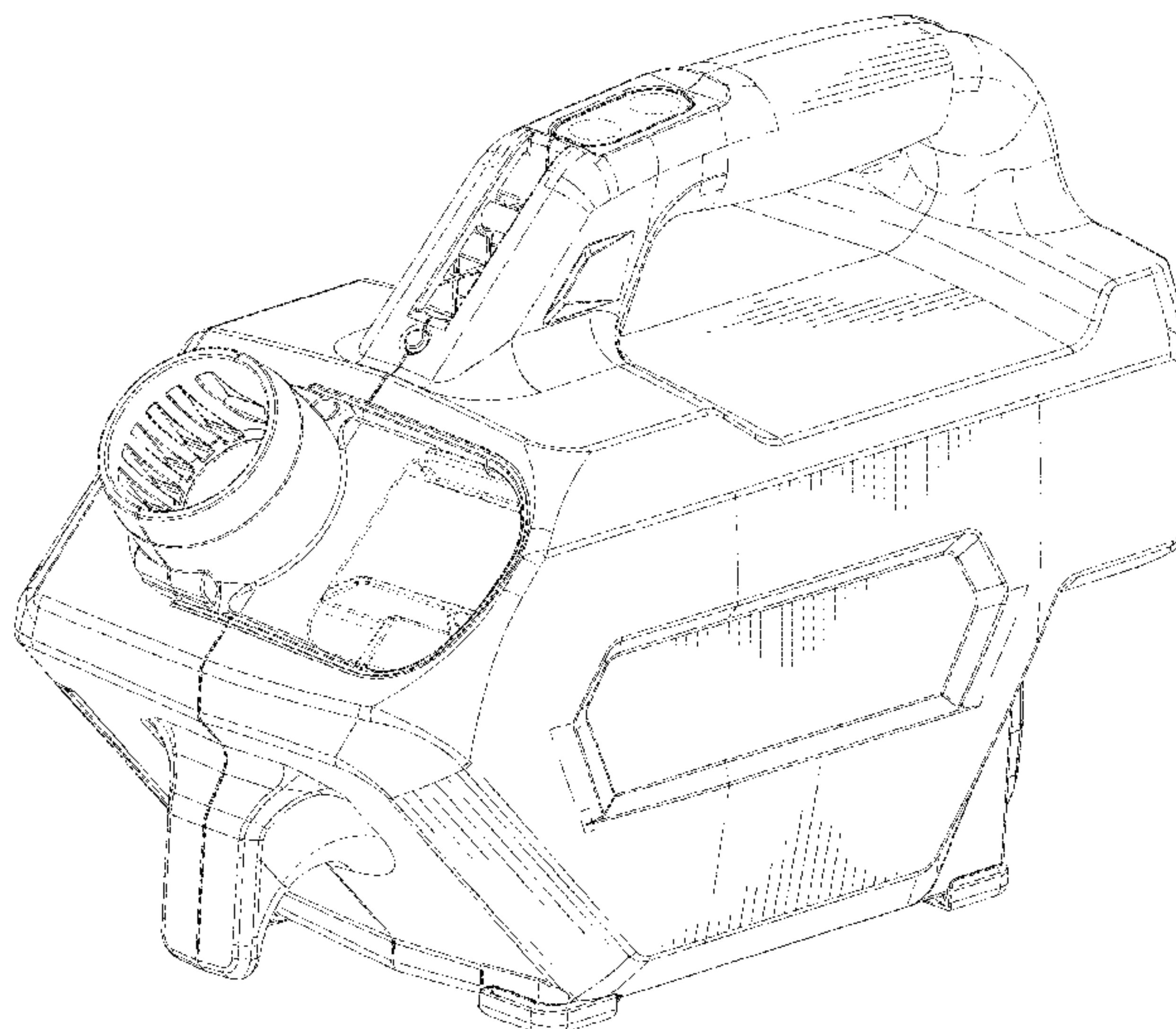
The ornamental design for a vacuum cleaner, as shown and described.

DESCRIPTION

FIG. 1 is a front perspective view of a vacuum cleaner in accordance with our new design;
 FIG. 2 is a rear perspective view of the vacuum cleaner in accordance with our new design;
 FIG. 3 is a front elevational view of the vacuum cleaner in accordance with our new design;
 FIG. 4 is a rear elevational view of the vacuum cleaner in accordance with our new design;
 FIG. 5 is a top plan view of the vacuum cleaner in accordance with our new design;
 FIG. 6 is a bottom plan view of the vacuum cleaner in accordance with our new design;
 FIG. 7 is a right side elevational view of the vacuum cleaner in accordance with our new design;
 FIG. 8 is a left side elevational view of the vacuum cleaner in accordance with our new design;
 FIG. 9 is a front perspective view of the vacuum cleaner in accordance with our new design showing when a hose and a nozzle are attached to the vacuum cleaner; and,
 FIG. 10 is a front perspective view of the vacuum cleaner in accordance with our new design showing when a hose and a nozzle are attached to the vacuum cleaner and the hose is in a stored position.

The broken lines shown in the vacuum cleaner are for portions that form no part of the claimed design. The dash dot dash lines are shown as boundary and form no part of the claimed design. The broken lines shown in FIGS. 9 and 10 are for portions of the vacuum cleaner that form no part of the claimed design, and for environmental features that form no part of the claimed design.

1 Claim, 10 Drawing Sheets



(58) **Field of Classification Search**

CPC A47L 9/325; A47L 5/362; A47L 9/2884;
A47L 9/248; A47L 9/1472; A47L 9/1427

See application file for complete search history.

(56) **References Cited**

U.S. PATENT DOCUMENTS

D855,912 S * 8/2019 Gammack D32/18
D868,400 S * 11/2019 Niedzwecki D32/18
D870,993 S * 12/2019 Fry D32/21
2019/0307301 A1 * 10/2019 Conrad A47L 5/362
2019/0357741 A1 * 11/2019 Conrad A47L 9/2889
2019/0365179 A1 * 12/2019 Hwang A47L 9/28
2019/0374080 A1 * 12/2019 Conrad A47L 9/2857
2019/0387935 A1 * 12/2019 Buttery A47L 9/22
2020/0101574 A1 * 4/2020 Caspar H04W 76/10
2020/0113399 A1 * 4/2020 Nam A47L 5/22

* cited by examiner

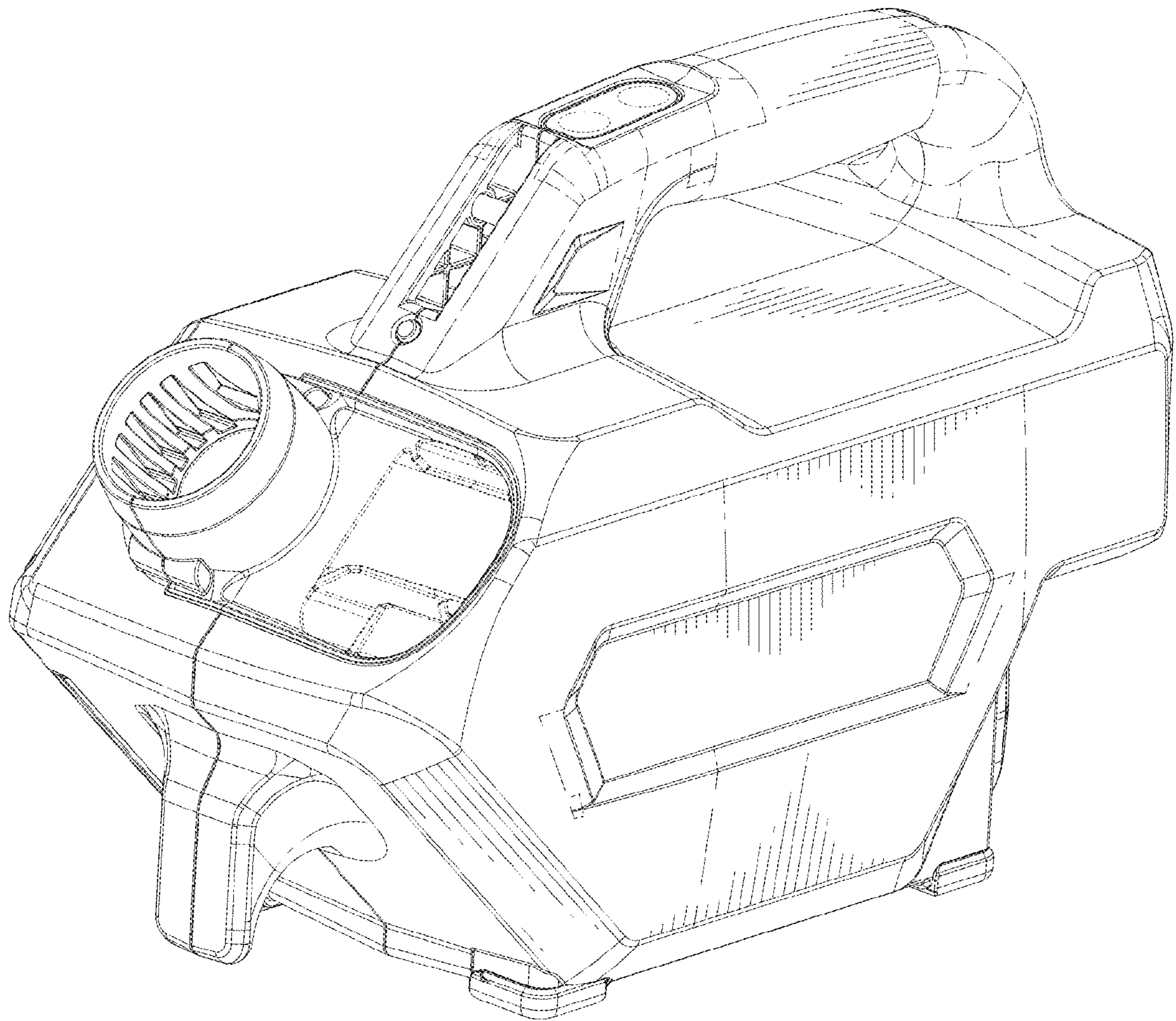


FIG. 1

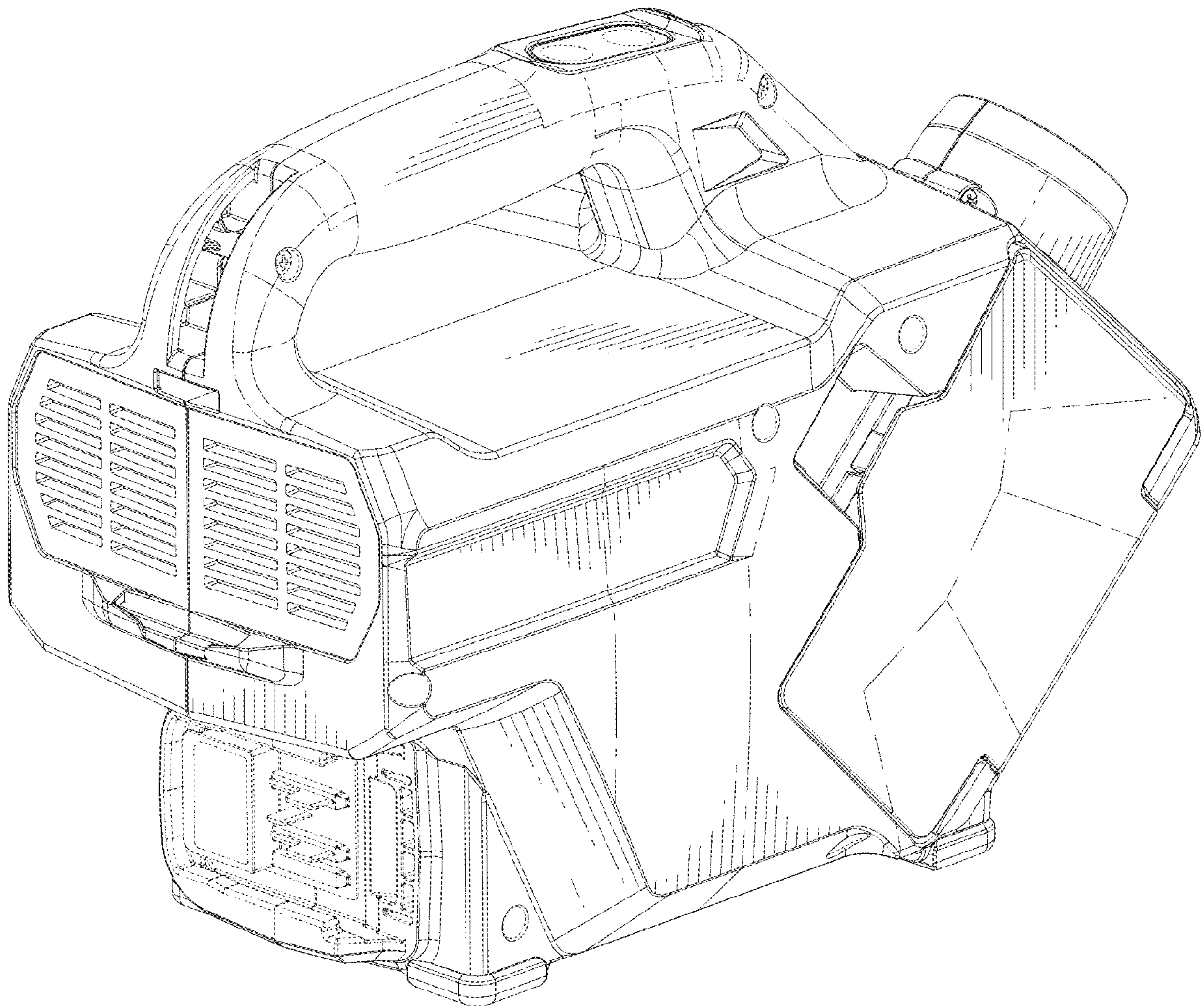


FIG. 2

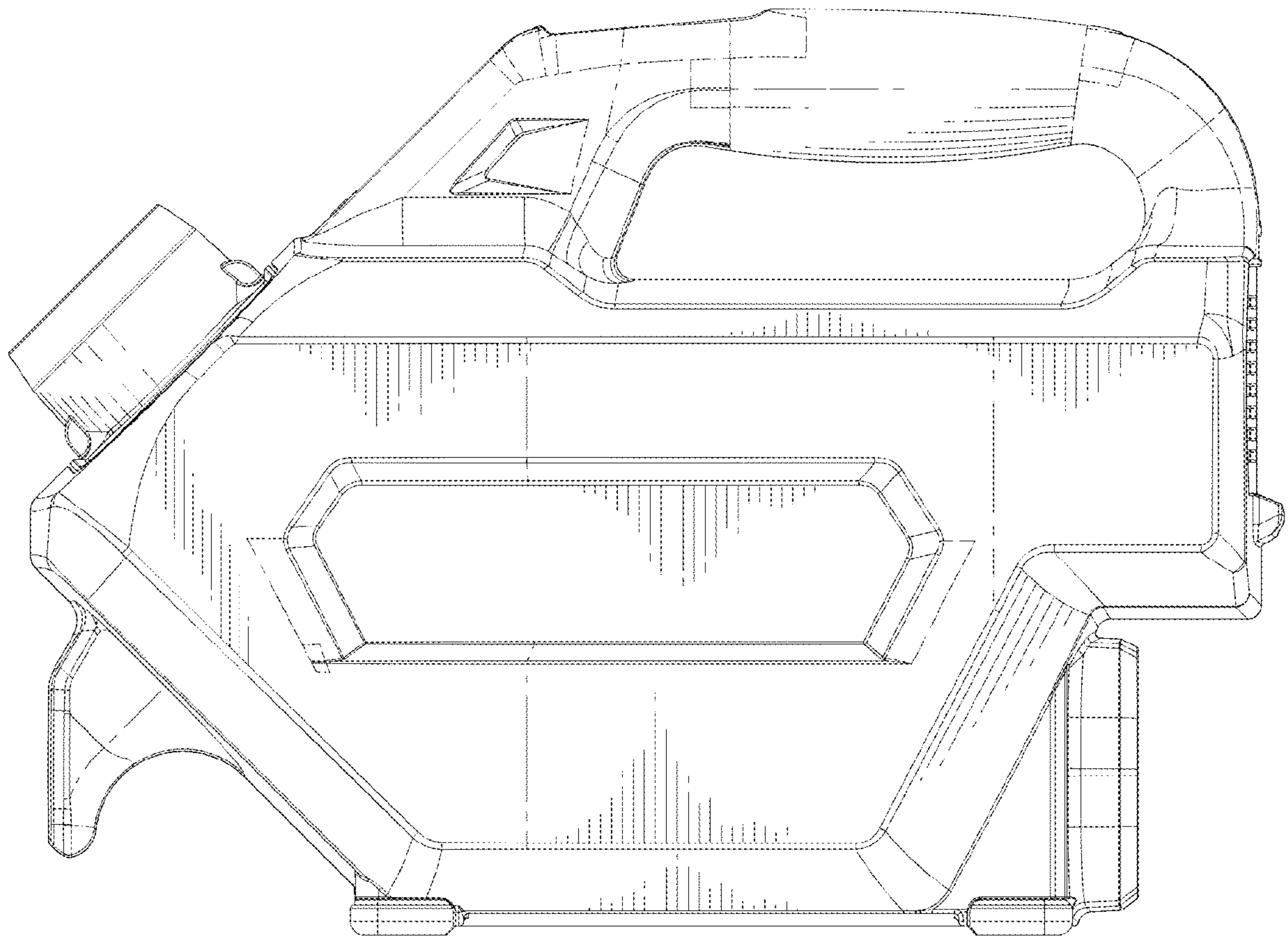


FIG. 3

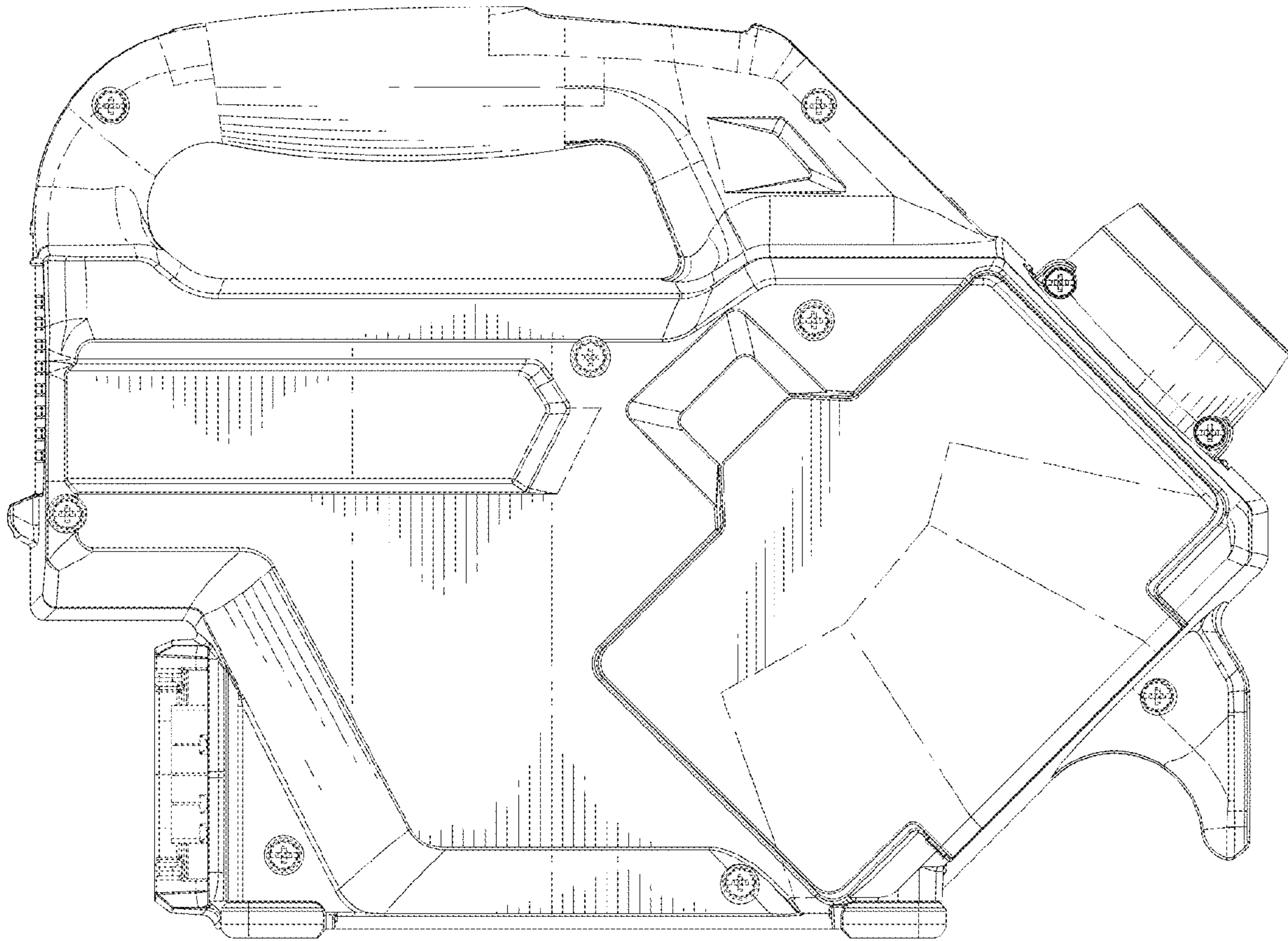


FIG. 4

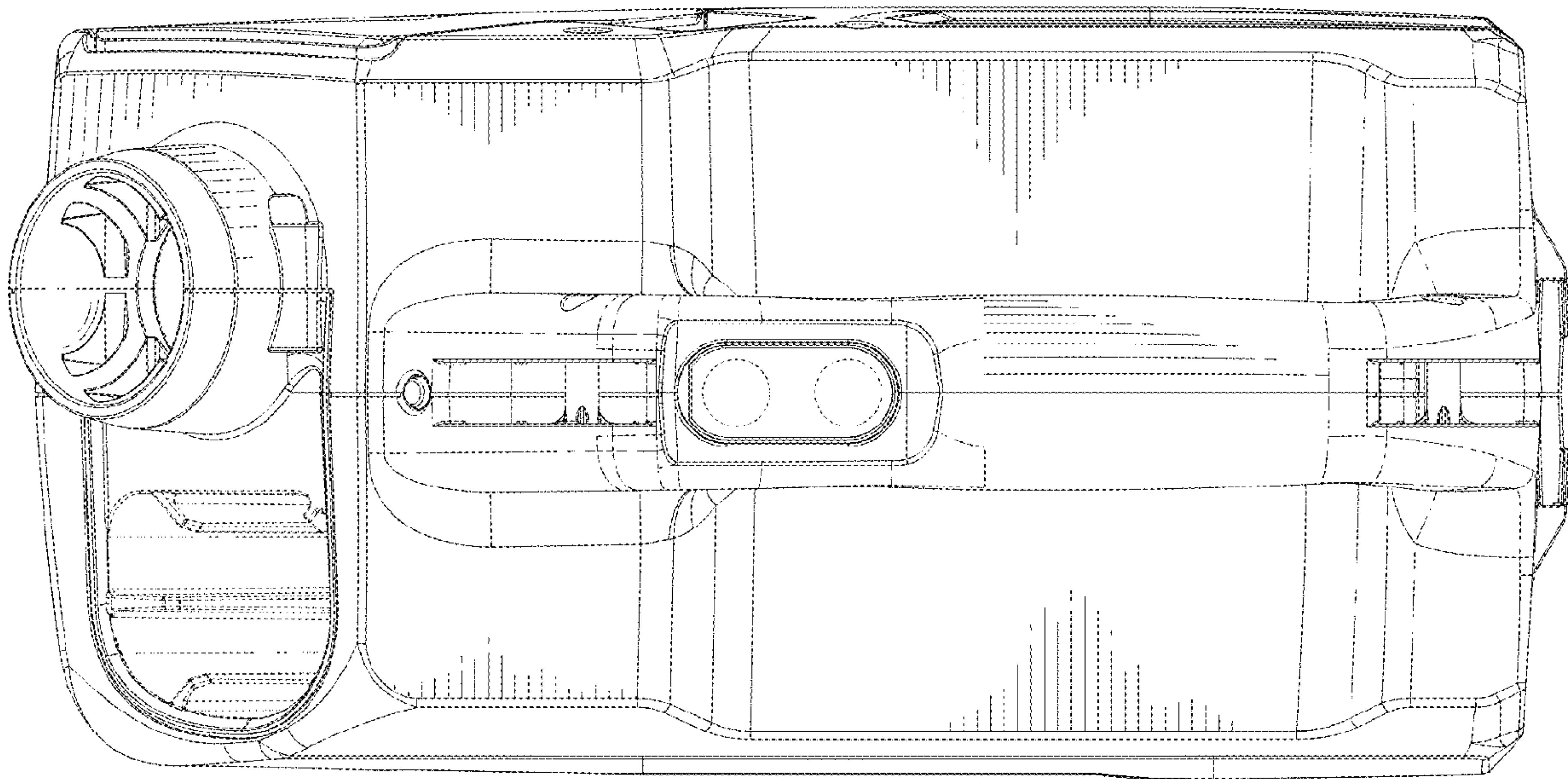


FIG. 5

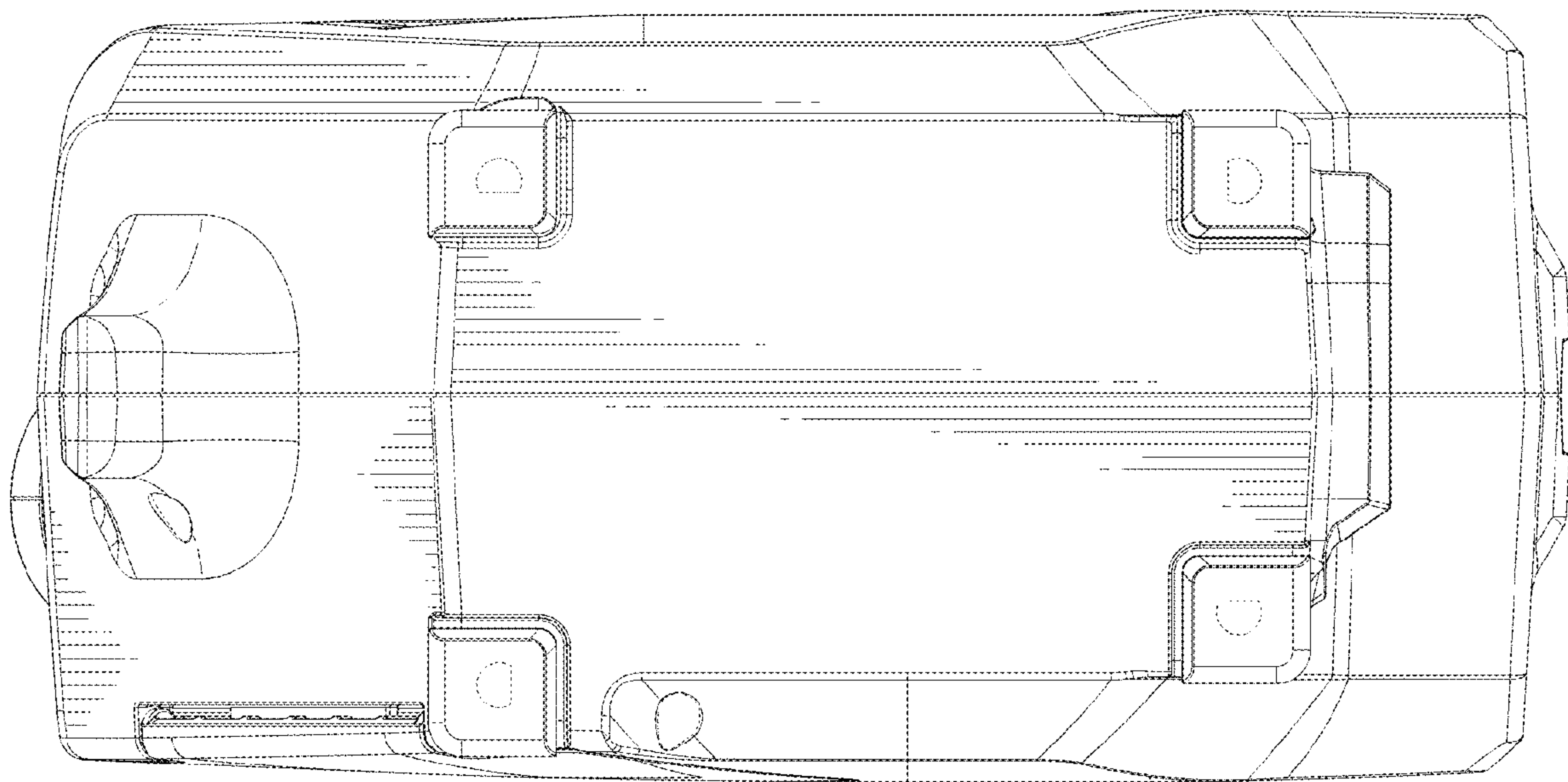


FIG. 6

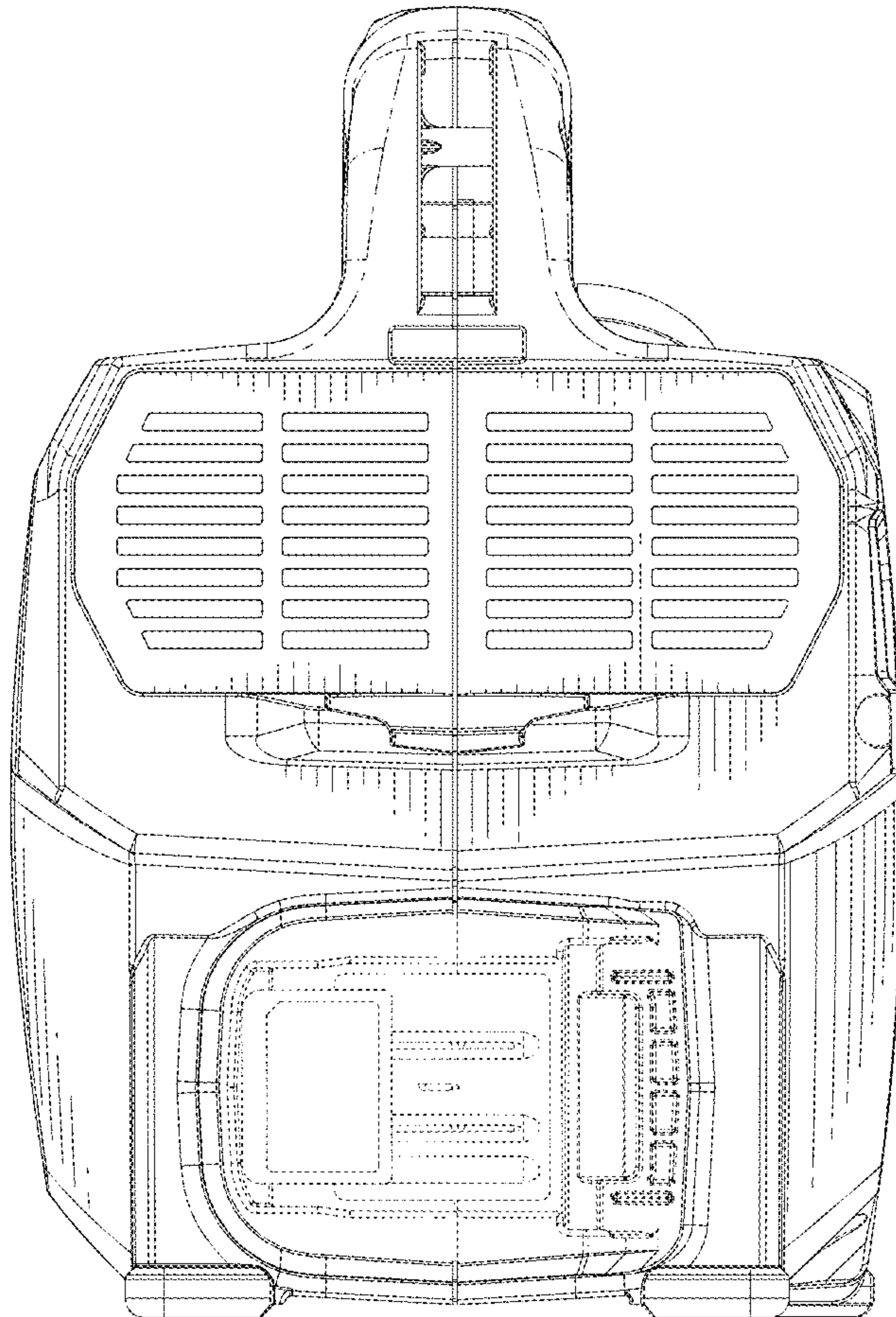


FIG. 7

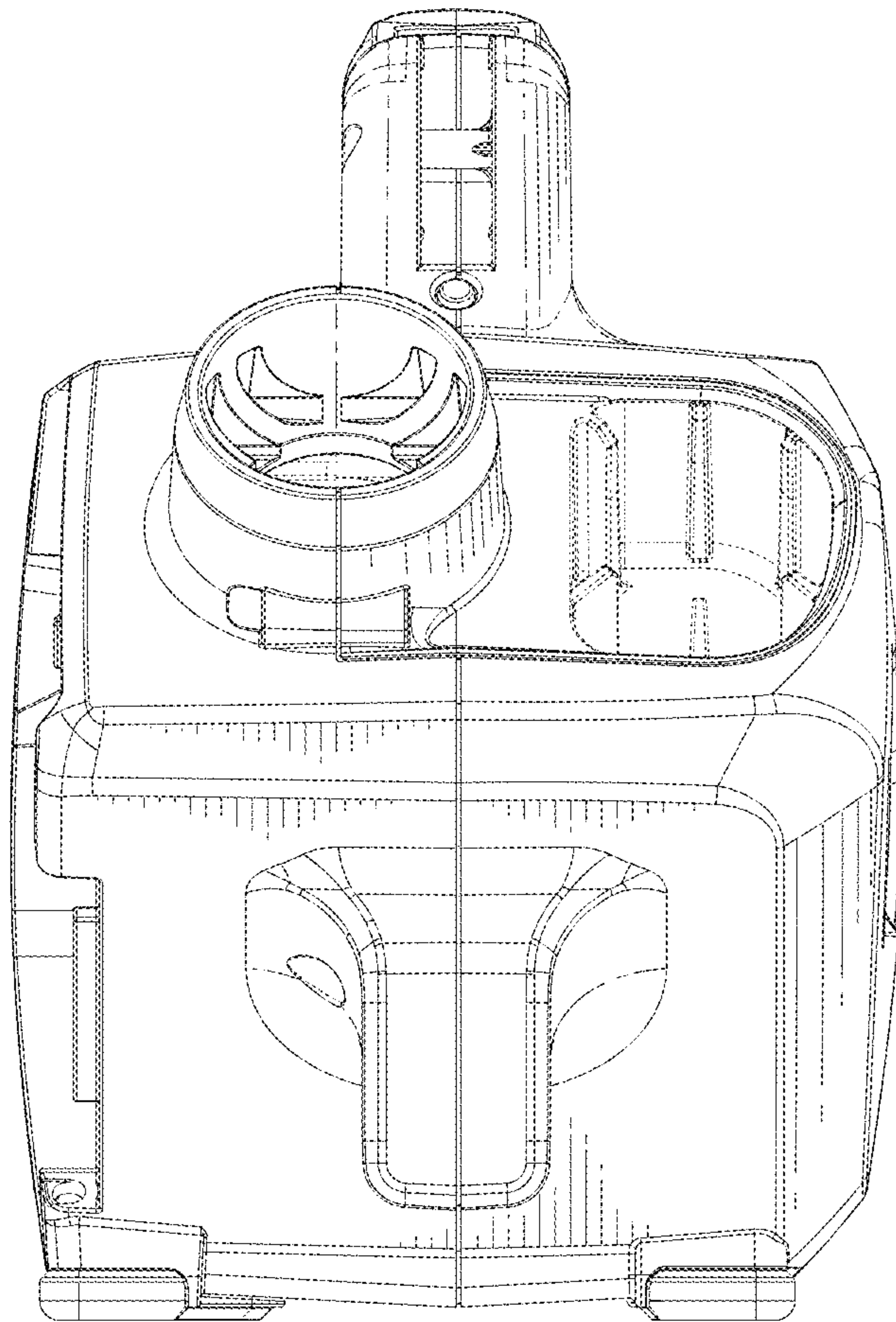


FIG. 8

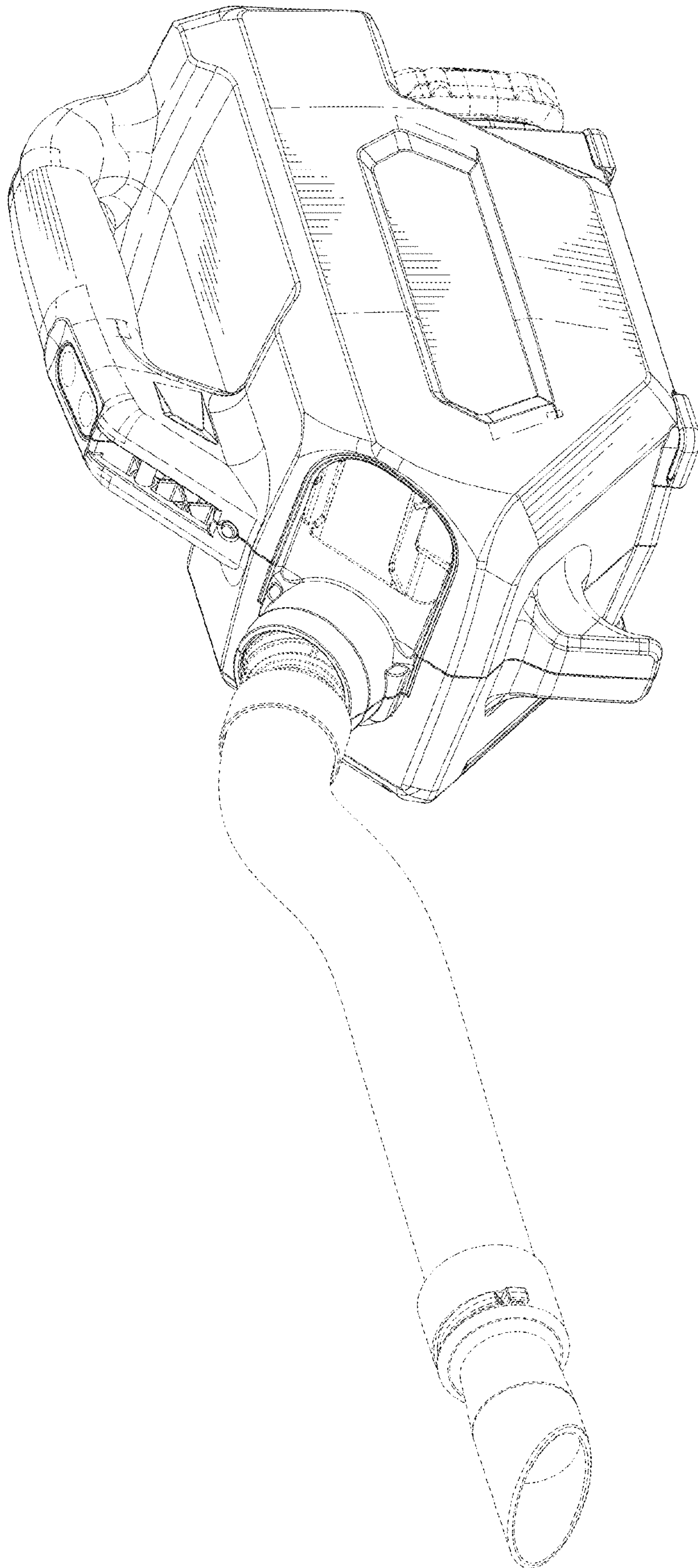


FIG. 9

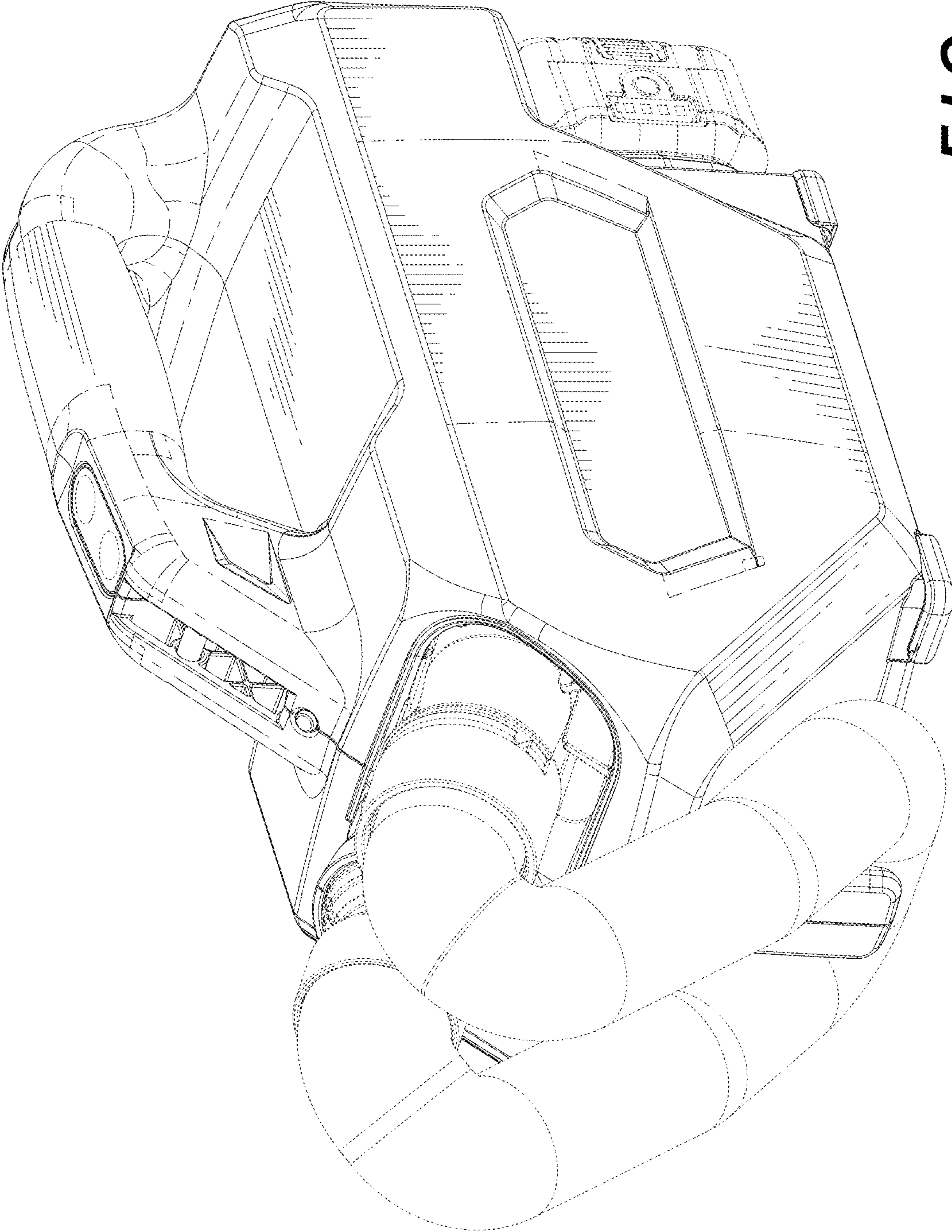


FIG. 10