

US00D956371S

(12) **United States Design Patent**
West et al.

(10) **Patent No.:** **US D956,371 S**
(45) **Date of Patent:** **** Jun. 28, 2022**

(54) **SHOPPING CART DISINFECTION MACHINE**

D736,840 S * 8/2015 Kirkland D15/122
9,198,990 B2 12/2015 Fletcher
(Continued)

(71) Applicant: **UVC Ultra-Clean, LLC**, Hewitt, TX
(US)

(72) Inventors: **Jefferson Blake West**, Austin, TX
(US); **Stephen Edward Meosky**,
Austin, TX (US)

(73) Assignee: **UVC Ultra-Clean, LLC**, Hewitt, TX
(US)

(**) Term: **15 Years**

(21) Appl. No.: **29/748,415**

(22) Filed: **Aug. 28, 2020**

(51) **LOC (13) Cl.** **15-05**

(52) **U.S. Cl.**
USPC **D32/1**

(58) **Field of Classification Search**
USPC D15/199, 122; D32/1, 4, 25
CPC ... A61L 2/00; A61L 2/10; B62B 5/069; B08B
3/024; B66B 31/00; B66B 31/006; B66B
31/02; B66B 29/04
See application file for complete search history.

(56) **References Cited**

U.S. PATENT DOCUMENTS

3,444,867	A	5/1969	Thornton	
4,421,132	A *	12/1983	Kuhl	B08B 9/093 134/152
5,285,802	A *	2/1994	Soderquist	B60S 3/04 134/123
5,446,289	A	8/1995	Shodeen et al.	
D424,763	S *	5/2000	Schinzing	D32/6
7,259,125	B2	8/2007	Holbrook	
D572,212	S *	7/2008	Taylor	D13/184
D612,041	S *	3/2010	Jesso, Sr.	D23/420
D615,257	S *	5/2010	Helm	D32/1
7,791,044	B1 *	9/2010	Taylor	A61L 2/10 250/493.1
8,536,541	B2 *	9/2013	Taylor	A61L 2/24 250/493.1
D691,903	S *	10/2013	Tong	D15/199
D731,563	S *	6/2015	Kirkland	D15/122

FOREIGN PATENT DOCUMENTS

CN 202020702 U 11/2011
CN 202086813 U 12/2011
(Continued)

OTHER PUBLICATIONS

Bluewater presents, shopping cart sanitizer <https://bluewatertech.com/shopping-cart-sanitizing-wash/> (Year: 2011).*
(Continued)

Primary Examiner — Michelle E. Wilson
Assistant Examiner — Richard E Yenchesky
(74) *Attorney, Agent, or Firm* — Carlson, Gaskey & Olds, P.C.

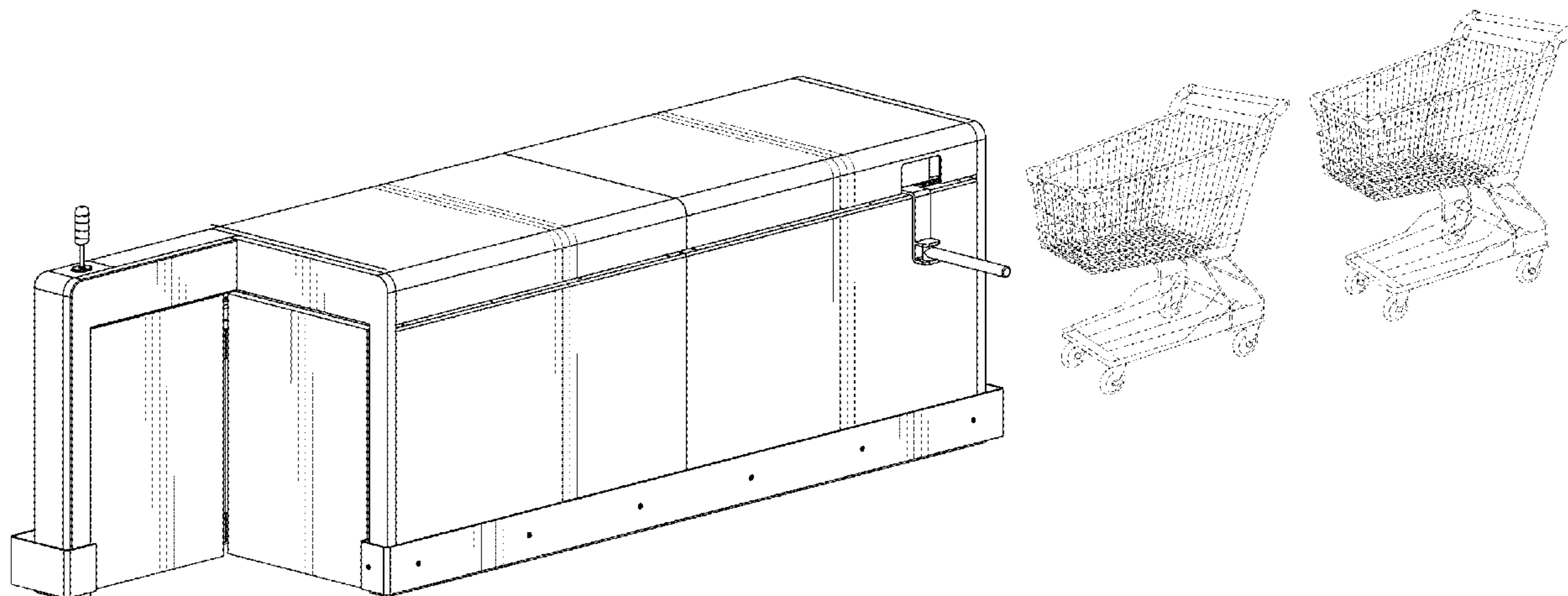
(57) **CLAIM**

We claim the ornamental design for a shopping cart disinfection machine, as shown and described.

DESCRIPTION

FIG. 1 is a perspective view from a first end of a shopping cart disinfection machine.
FIG. 2 is a side view of the system from a first side.
FIG. 3 is a side view of the system from a second side opposite the first side.
FIG. 4 is an end view of the system from a second end opposite the first end.
FIG. 5 is an end view of the system from the first end.
FIG. 6 is a top view of the system; and,
FIG. 7 is a perspective view thereof. The broken line showing of shopping carts in FIG. 7 depicts environmental subject matter and forms no part of the claimed design.

1 Claim, 5 Drawing Sheets



(56)

References Cited

U.S. PATENT DOCUMENTS

10,272,167 B2 * 4/2019 Starkweather A61L 2/24
 10,898,601 B2 * 1/2021 Majdali A61L 2/10
 11,090,399 B2 * 8/2021 Starkweather A61L 2/28
 D932,527 S * 10/2021 Tsukamoto D15/122
 2005/0121047 A1 6/2005 Saoud et al.
 2006/0011220 A1 * 1/2006 Mueller B08B 3/022
 134/123
 2006/0186358 A1 8/2006 Couvillion
 2007/0012340 A1 * 1/2007 Jones A61L 2/10
 134/131
 2008/0178412 A1 7/2008 Kiter
 2010/0007492 A1 1/2010 Ressler et al.
 2010/0071717 A1 3/2010 Lenhart

FOREIGN PATENT DOCUMENTS

CN 202154885 U 3/2012
 CN 103520743 A 1/2014

DE 102009040765 A1 2/2011
 DE 102009060025 A1 6/2011
 KR 100648506 B1 11/2006
 KR 100936552 B1 1/2009
 KR 100893790 B1 4/2009
 KR 20110007672 U 8/2011
 KR 101399500 A 1/2013
 KR 20130003209 A 1/2013
 KR 300766032.0000 * 10/2014
 WO 2011076476 A1 6/2011
 WO 2015058606 A1 4/2015

OTHER PUBLICATIONS

Ultra clean Carts [https://bluewatertech.com/shopping-cart-sanitizing-wash/\(Year: 2022\).](https://bluewatertech.com/shopping-cart-sanitizing-wash/(Year: 2022).)*
 Winn-Dixie Offers Sanitizing Service, Mar. 2, 2011. Downloaded from: <https://progresingrocer.com/winn-dixie-offers-sanitizing-service/>.

* cited by examiner

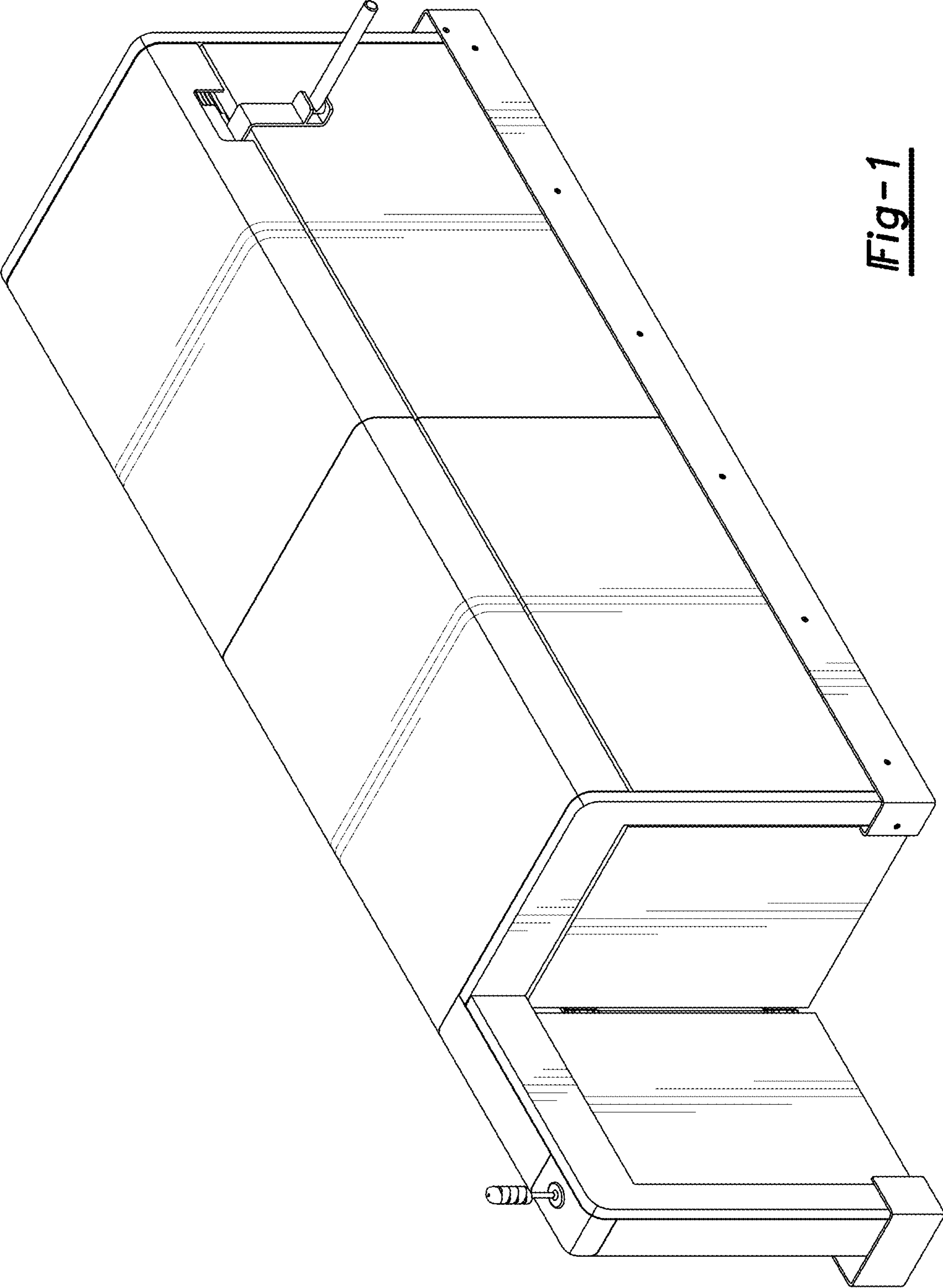


Fig-2

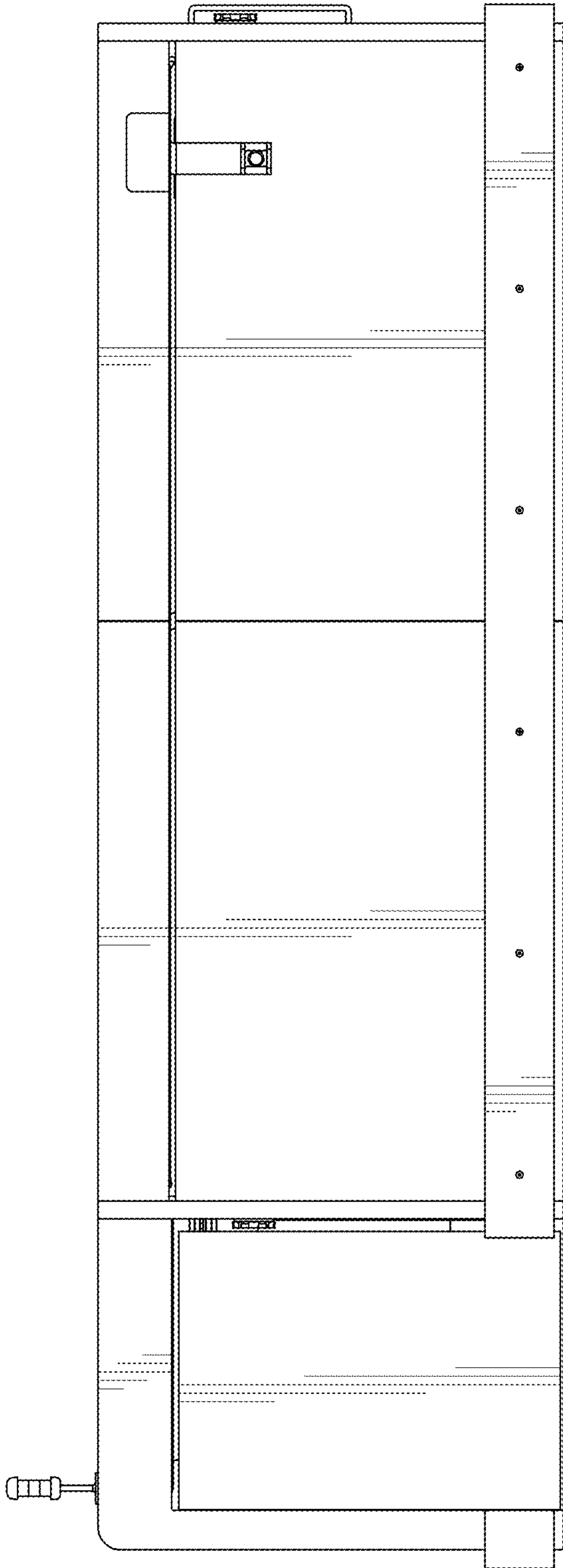
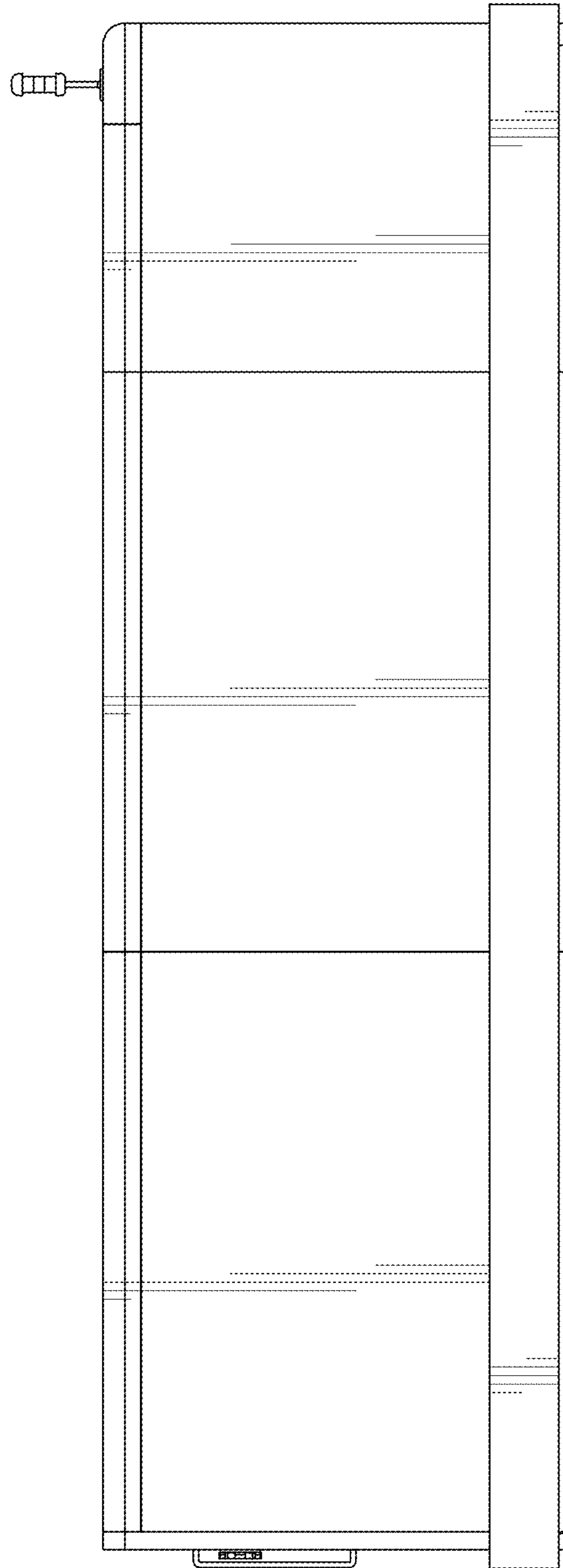


Fig-3



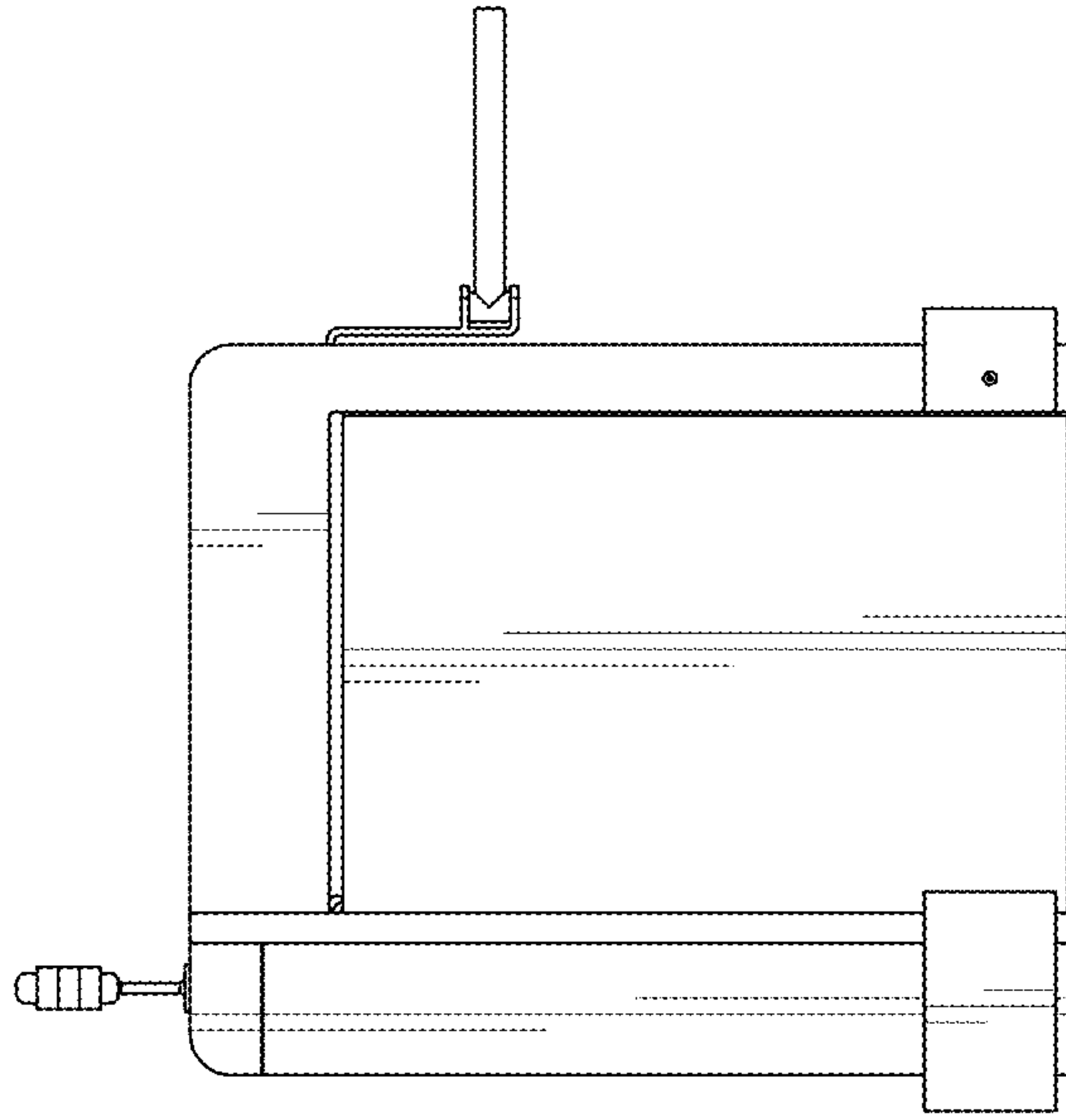


Fig-5

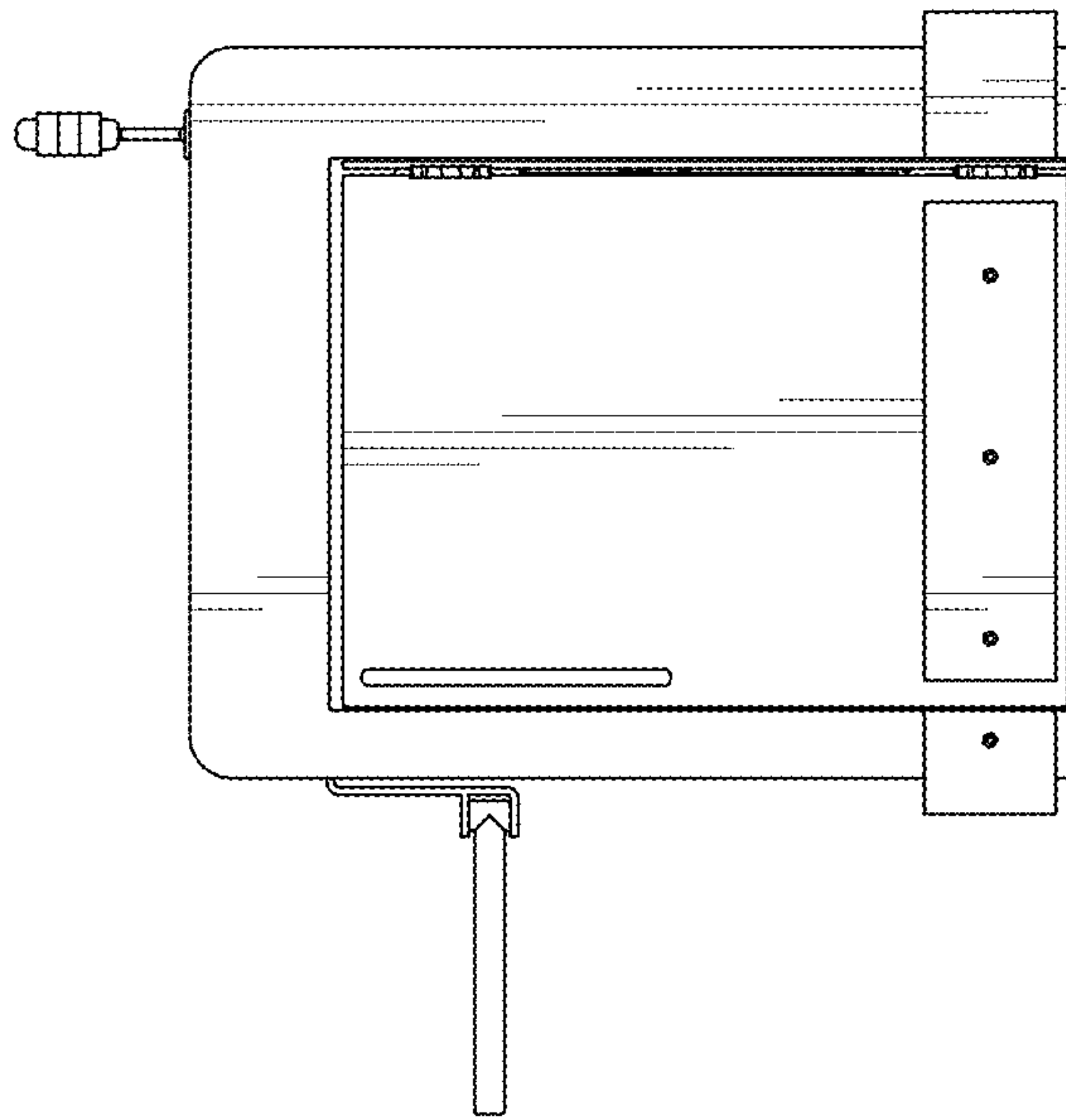


Fig-4

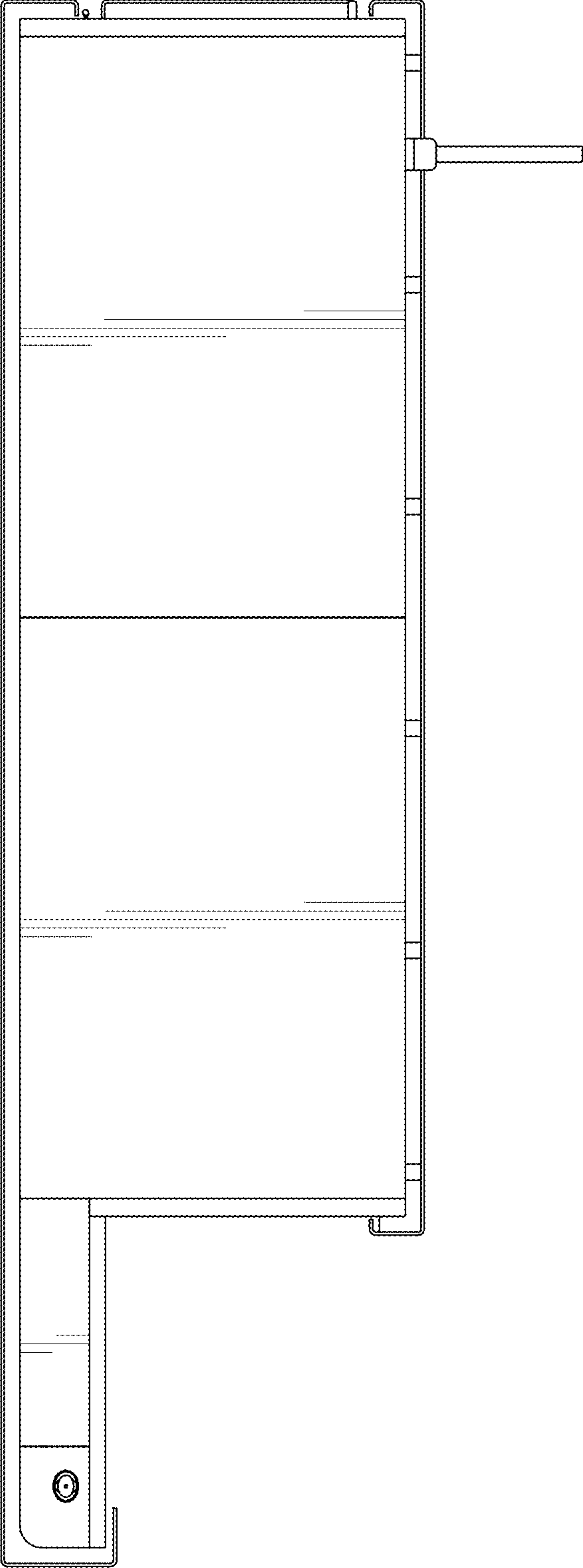


Fig-6

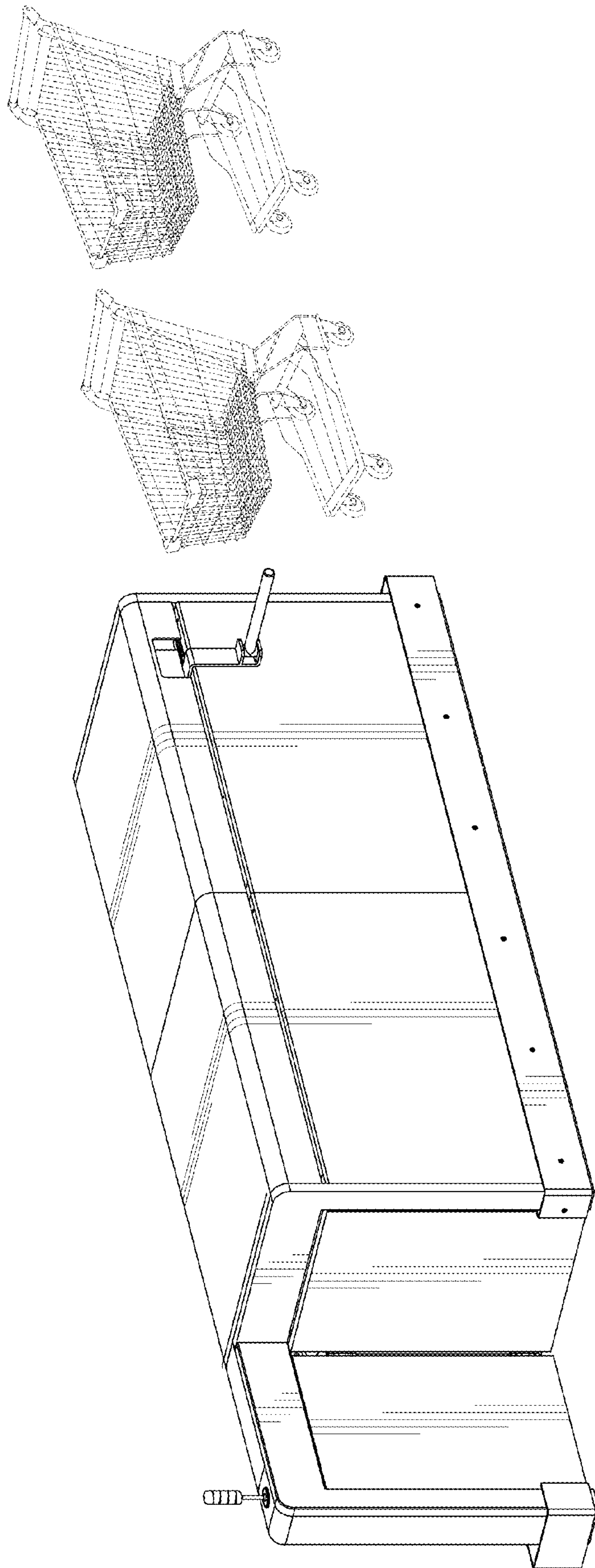


Fig-7