



US00D956369S

(12) **United States Design Patent** (10) **Patent No.:** **US D956,369 S**
Boos (45) **Date of Patent:** **** Jun. 28, 2022**

(54) **DOG TOY**
(71) Applicant: **Patricia L. Boos**, Oconomowoc, WI (US)
(72) Inventor: **Patricia L. Boos**, Oconomowoc, WI (US)
(**) Term: **15 Years**
(21) Appl. No.: **29/744,599**
(22) Filed: **Jul. 30, 2020**
(51) **LOC (13) Cl.** **30-99**
(52) **U.S. Cl.**
USPC **D30/160**
(58) **Field of Classification Search**
USPC D30/108-120, 158-161; D21/698, 814,
D21/826-827; D25/48.1, 31, 33
CPC A01K 15/025; A01K 15/026; A01K 15/02;
A01K 1/00; A01K 1/0272; A01K 1/0245
See application file for complete search history.

(56) **References Cited**

U.S. PATENT DOCUMENTS

D249,567 S * 9/1978 Madi D30/118
5,230,304 A * 7/1993 Santoro A01K 15/00
119/497
D347,248 S * 5/1994 Franzman D21/803
5,390,629 A * 2/1995 Simone A01K 15/025
446/419
5,423,290 A * 6/1995 Payne A01K 31/14
119/329
D368,339 S * 3/1996 O'Rourke D30/160
D379,209 S * 5/1997 Coddington, Jr. D21/419
D501,063 S * 1/2005 Bertoli D30/108
6,918,355 B1 * 7/2005 Arvanites A01K 15/026
119/707
7,188,384 B2 * 3/2007 McKay A47L 25/005
428/192
D597,264 S * 7/2009 Hsieh D30/118

D607,618 S * 1/2010 Rutherford D30/160
D720,898 S * 1/2015 Herrera D7/591
D758,516 S * 6/2016 Radford D21/814
9,591,831 B2 * 3/2017 Chura A01K 13/002
D822,772 S * 7/2018 Jorgenson D24/211
D848,681 S * 5/2019 Sarver D30/160
D876,657 S * 2/2020 Lin D24/211
D888,847 S * 6/2020 Snell D21/678
2001/0022159 A1 * 9/2001 Zangle A01K 15/025
119/707
2005/0139166 A1 * 6/2005 Madsen A01K 15/027
119/702

OTHER PUBLICATIONS

KONG Tunnel, posted at amazon.com, earliest date available Jun. 18, 2013, [online], acquired on Feb. 25, 2022, Available on internet. url:https://www.amazon.com/KONG-Active-Tunnel-Cat-Toy/dp/B00DH2LVME (Year: 2013).*

* cited by examiner

Primary Examiner — Sheryl Lane

Assistant Examiner — Aula Soroush

(74) *Attorney, Agent, or Firm* — Harpman & Harpman

(57) **CLAIM**

The ornamental design for a dog toy, as shown and described.

DESCRIPTION

FIG. 1 is a front, top and side perspective view of the dog toy.

FIG. 2 is a top plan view of the dog toy.

FIG. 3 is a bottom plan view of the dog toy.

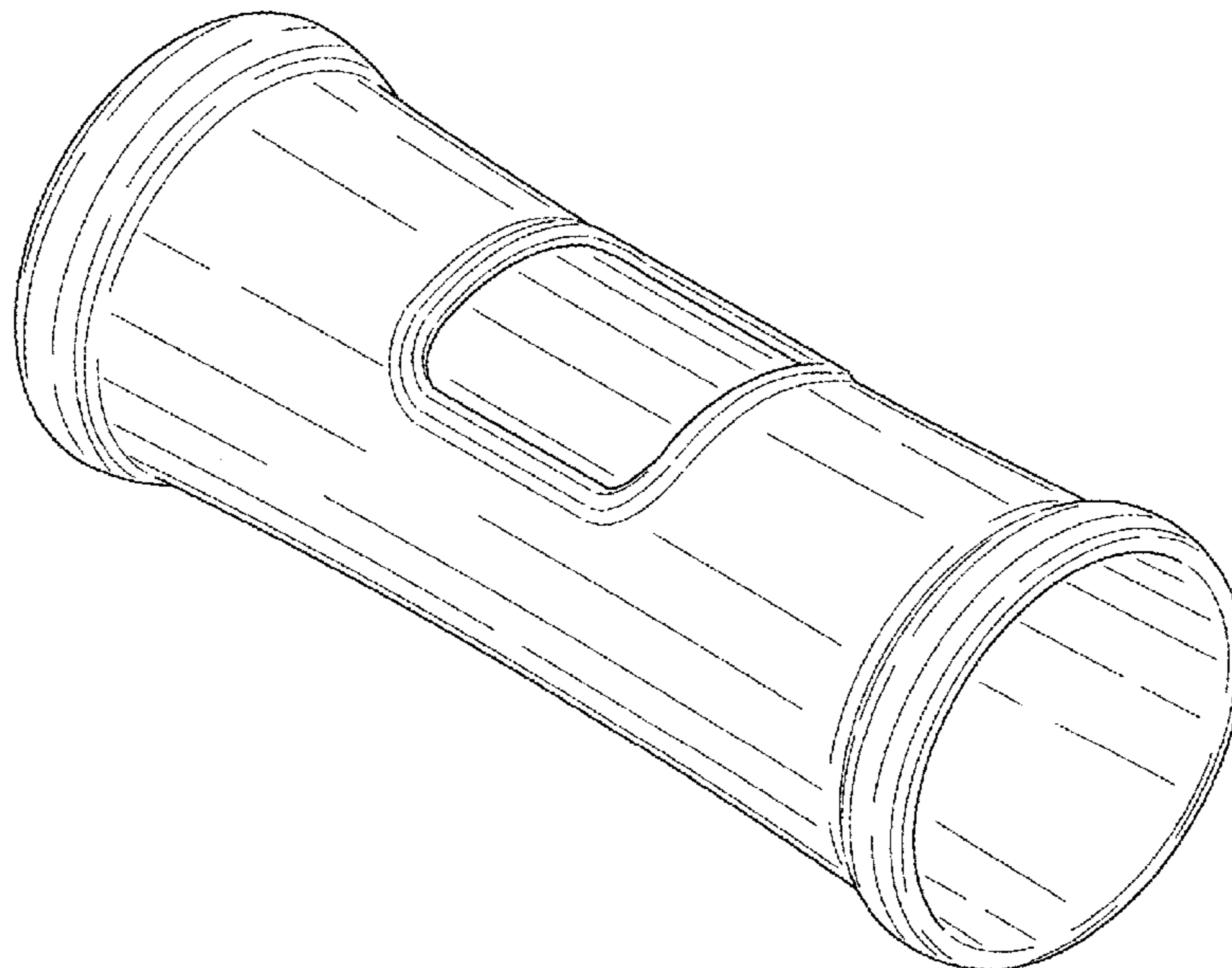
FIG. 4 is a front elevational view thereof.

FIG. 5 is a rear elevational view thereof.

FIG. 6 is a left side view thereof; and,

FIG. 7 is a right-side view thereof.

1 Claim, 4 Drawing Sheets



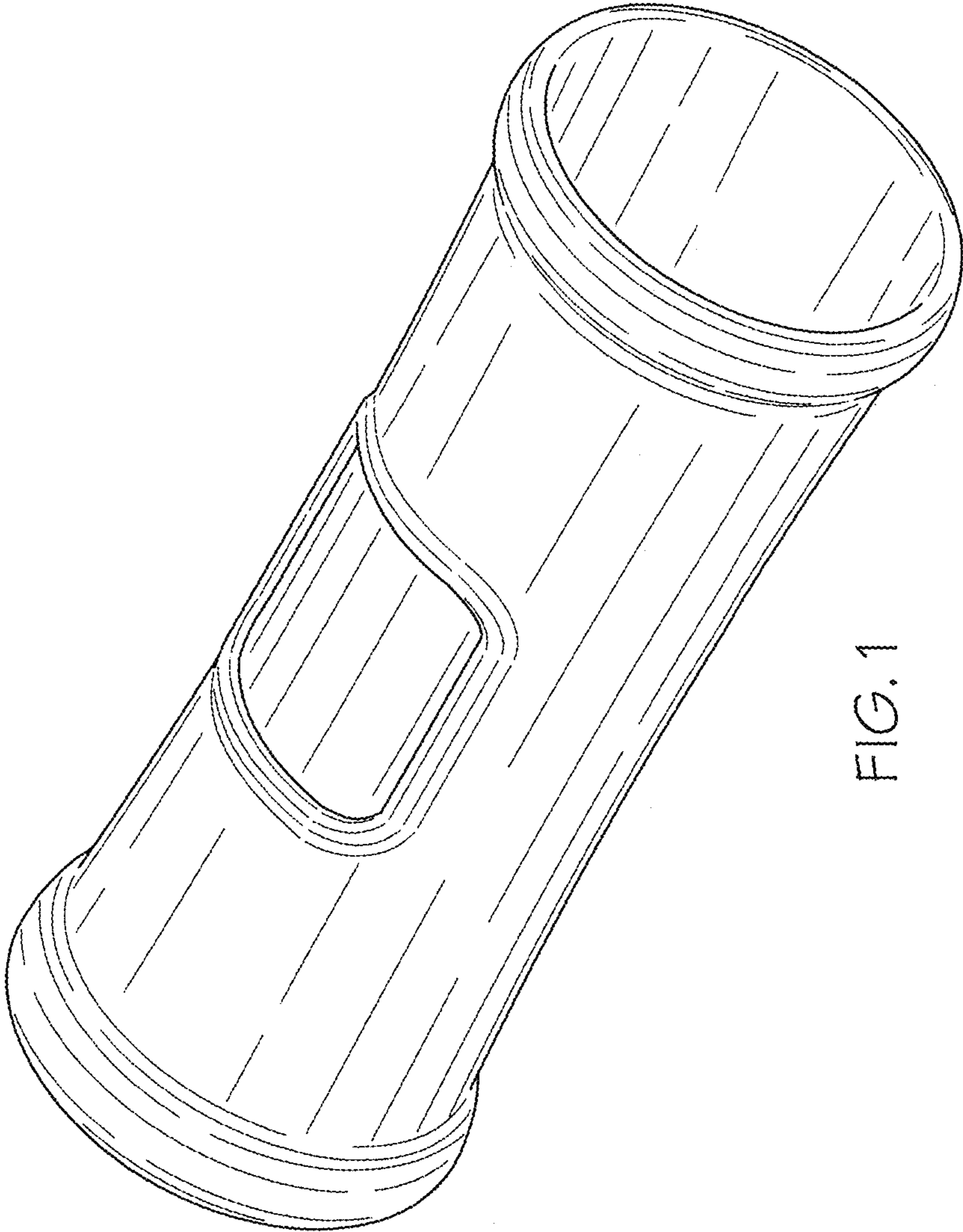


FIG. 1

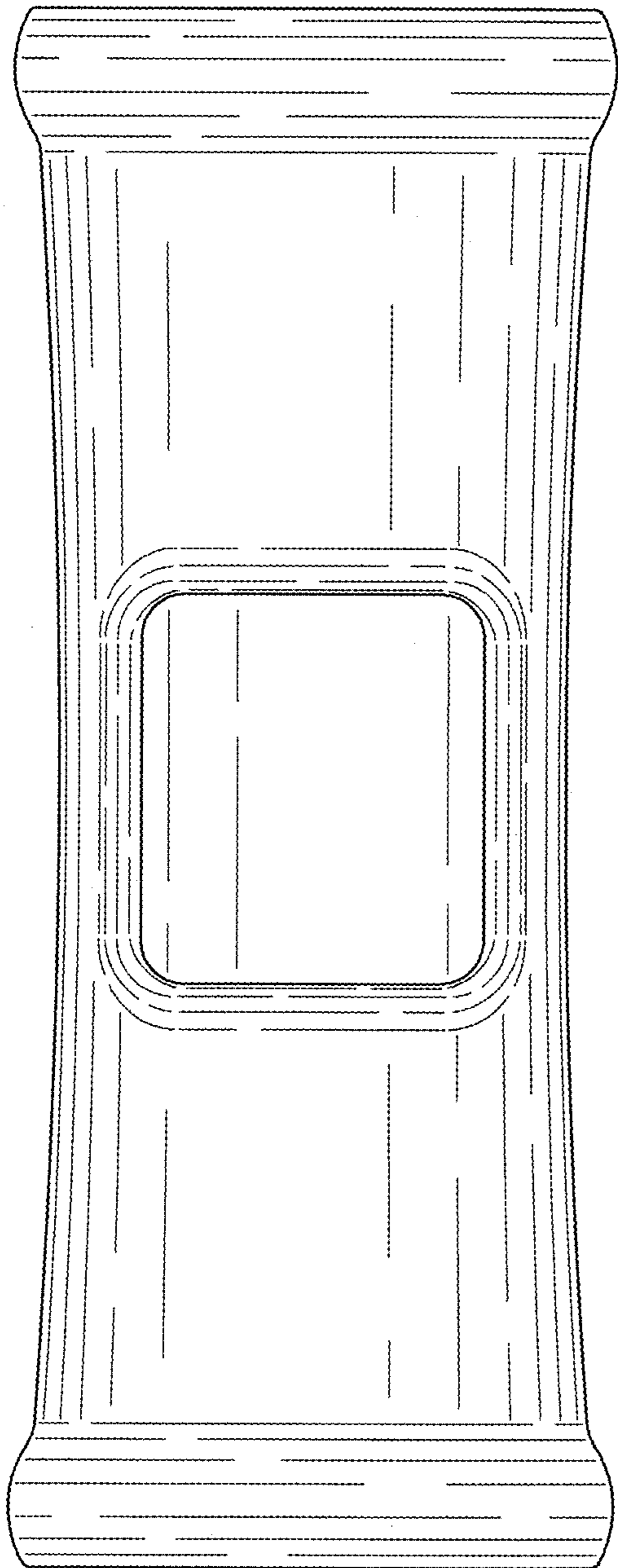


FIG. 2

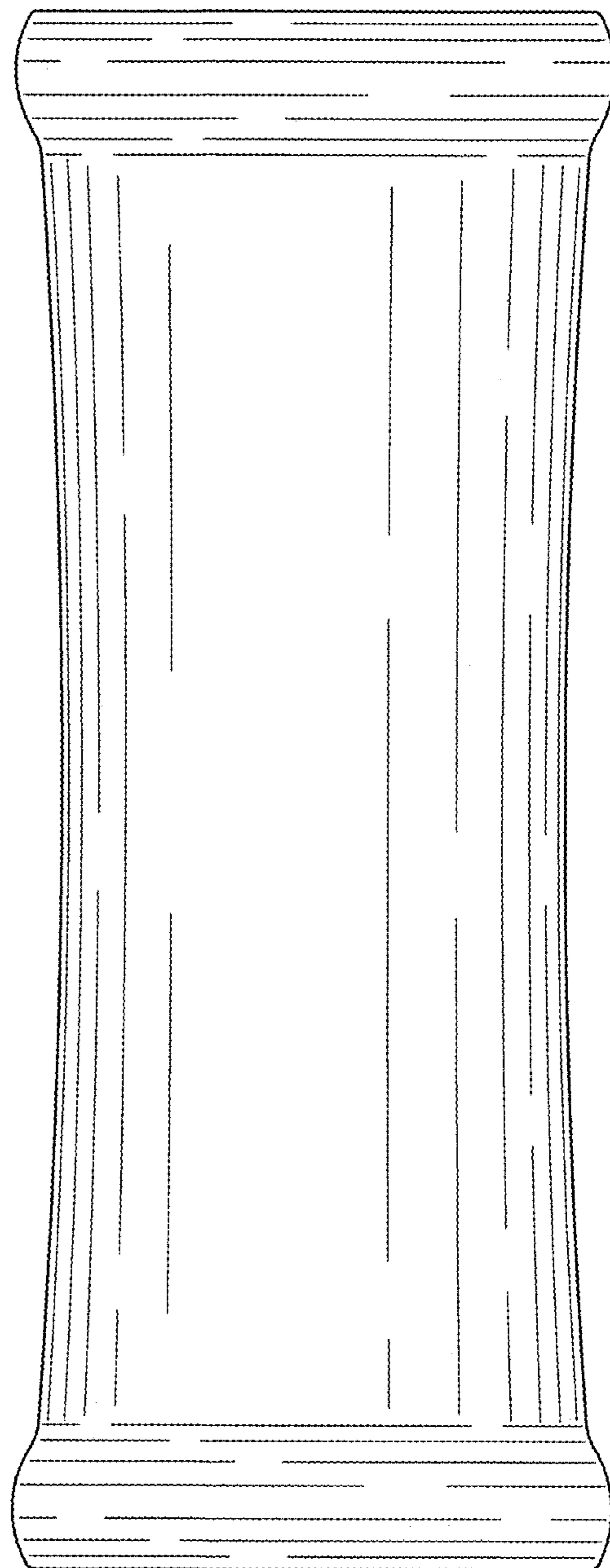


FIG. 3

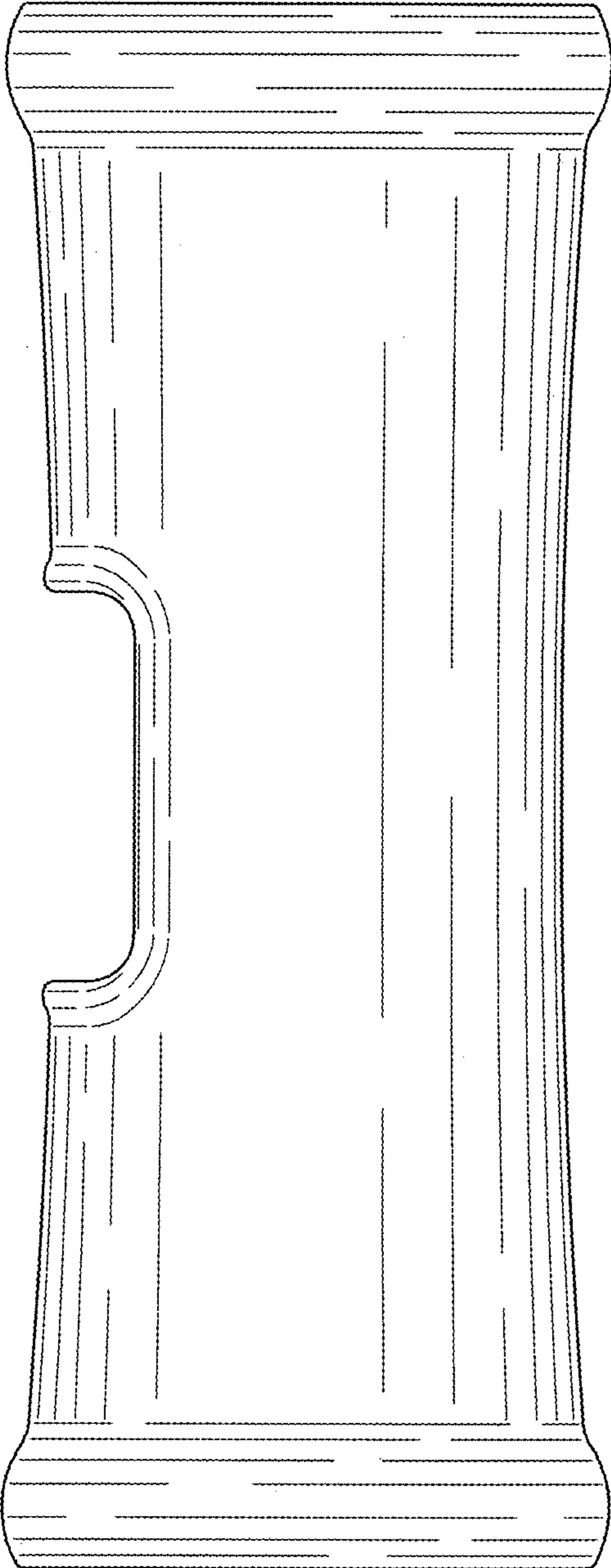


FIG. 4

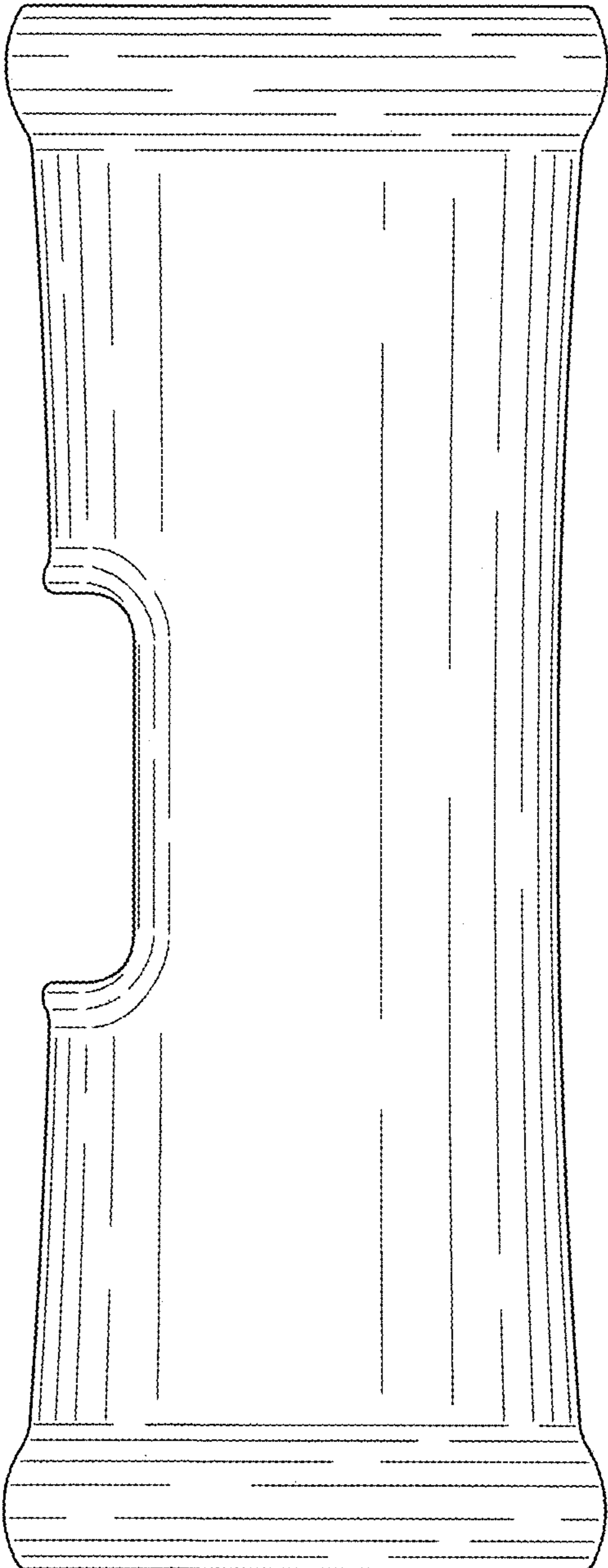


FIG. 5

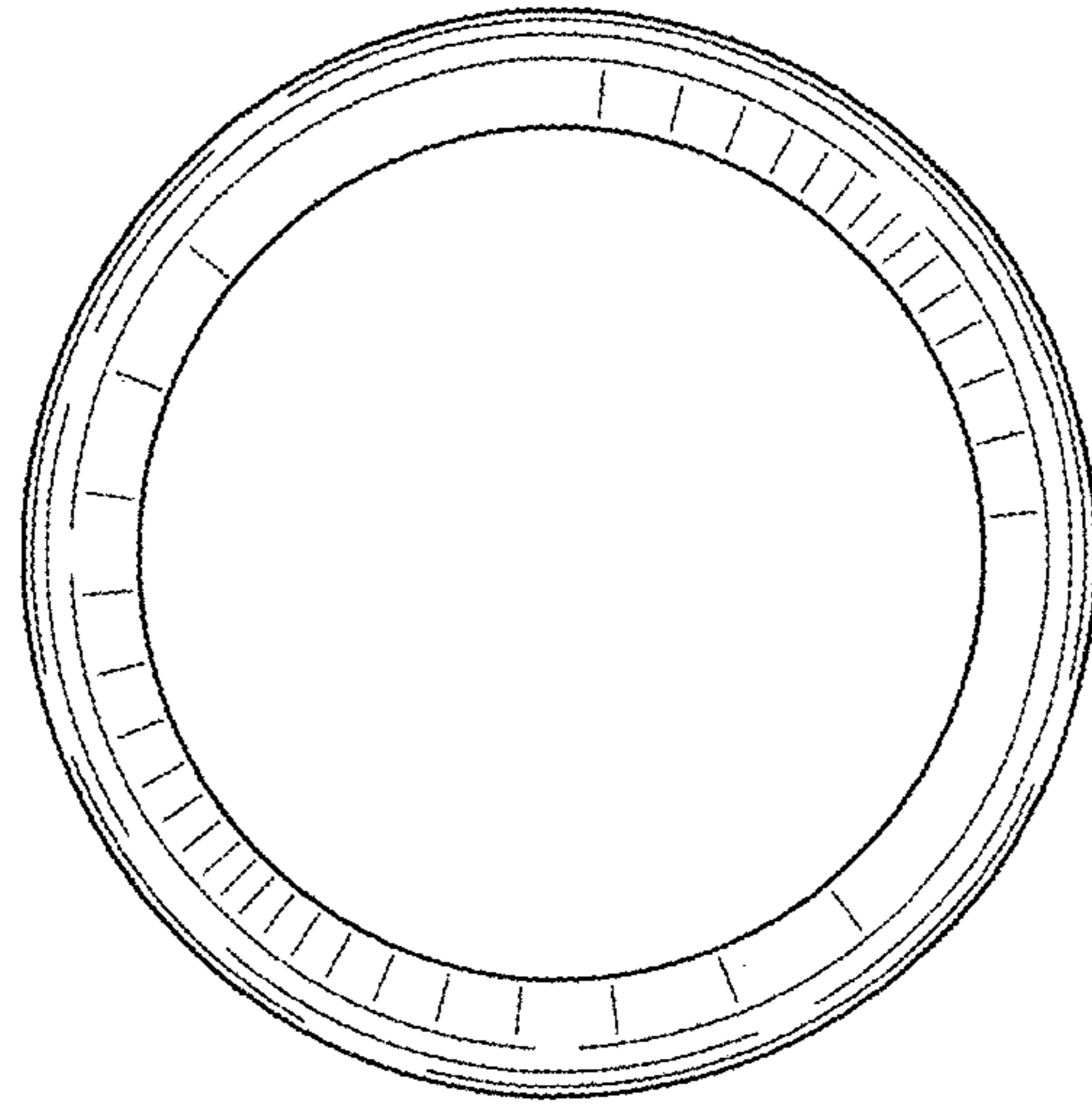


FIG. 7

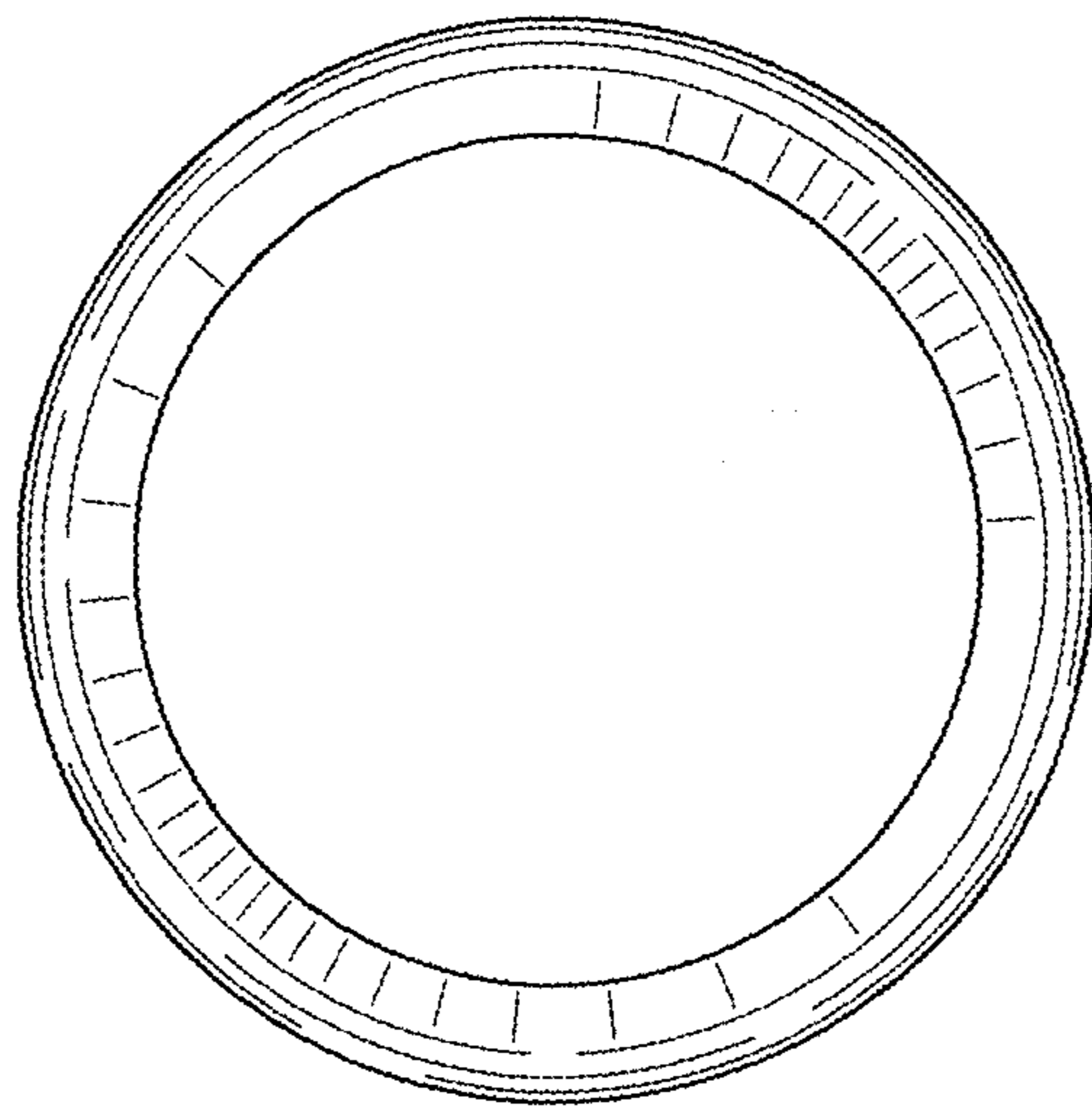


FIG. 6