



US00D956368S

(12) **United States Design Patent**  
**Zhou**

(10) **Patent No.:** **US D956,368 S**  
(45) **Date of Patent:** **\*\* Jun. 28, 2022**

(54) **CAT HARNESS**

(71) Applicant: **Anhui Yikuang Household Products Co., Ltd., Chuzhou (CN)**

(72) Inventor: **Leilei Zhou, Chuzhou (CN)**

(\*\*) Term: **15 Years**

(21) Appl. No.: **29/804,703**

(22) Filed: **Aug. 23, 2021**

(51) **LOC (13) Cl.** ..... **30-04**

(52) **U.S. Cl.**  
USPC ..... **D30/152**

(58) **Field of Classification Search**  
USPC ..... D30/144, 145, 151, 152; D29/101.1,  
D29/101.3, 101.4, 101.5; D24/190  
CPC ..... A01K 27/002  
See application file for complete search history.

(56) **References Cited**

**U.S. PATENT DOCUMENTS**

- 3,768,445 A \* 10/1973 Sorrels ..... A01K 27/002  
D30/152
- D427,734 S \* 7/2000 Balzarini ..... D30/145
- 6,792,894 B1 \* 9/2004 Donaldson ..... A01K 27/002  
54/54
- D591,011 S 4/2009 Madere
- D633,257 S \* 2/2011 Trias ..... D30/152
- 8,418,658 B1 \* 4/2013 Remick ..... A01K 27/002  
119/792
- D749,800 S \* 2/2016 Zimmermann ..... D30/153
- D753,350 S 4/2016 Thitz
- D762,926 S \* 8/2016 Ets-Hokin ..... D30/152
- D833,688 S 11/2018 Stouder
- D865,302 S \* 10/2019 Kim ..... D30/152
- D867,686 S 11/2019 Yun
- D878,684 S 3/2020 Zimmermann
- D885,689 S 5/2020 Xu
- D889,755 S 7/2020 Dusev
- D896,449 S 9/2020 Dang
- D900,413 S \* 10/2020 Gonzalez ..... D30/152

- D910,934 S 2/2021 Guo
- D916,396 S 4/2021 Guo
- 2010/0263602 A1\* 10/2010 Cho ..... A01K 27/002  
119/792
- 2014/0182520 A1\* 7/2014 Goluboff ..... A61D 9/00  
119/856
- 2016/0066544 A1\* 3/2016 Sporn ..... A01K 27/002  
119/863

(Continued)

**OTHER PUBLICATIONS**

“Rabbitgoo: Step-In Cat Harness and Leash Set”. Found online Dec. 3, 2020 at amazon.com. Reference dated Dec. 5, 2019. Retrieved from <https://www.amazon.com/rabbitgoo-Harness-Adjustable-Reflective-Comfortable/dp/B082DT6YNS/>.\*

(Continued)

*Primary Examiner* — Kendra Leslie Hamilton  
(74) *Attorney, Agent, or Firm* — Rumit R. Kanakia

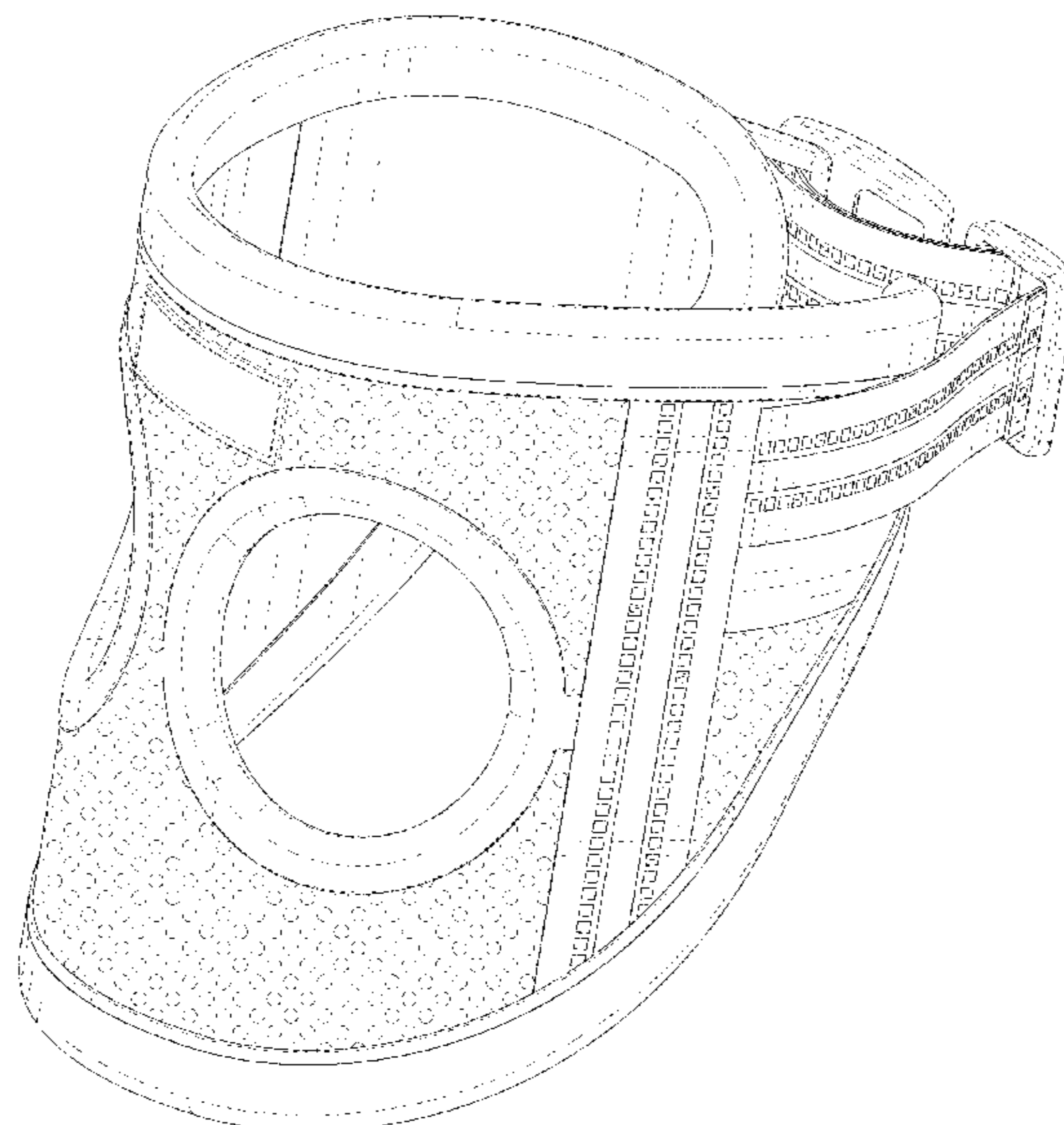
(57) **CLAIM**

The ornamental design for a cat harness, as shown and described.

**DESCRIPTION**

FIG. 1 is a front view of a cat harness showing my new design;  
FIG. 2 is a rear view thereof;  
FIG. 3 is a left side view thereof;  
FIG. 4 is a right side view thereof;  
FIG. 5 is a top view thereof;  
FIG. 6 is a bottom view thereof;  
FIG. 7 is a perspective view of a cat harness showing my new design; and,  
FIG. 8 is another perspective view thereof.  
The broken lines in the figures are for the purposes of illustrating portions of the cat harness, which form no part of the claimed design.

**1 Claim, 8 Drawing Sheets**



(56)

**References Cited**

U.S. PATENT DOCUMENTS

2018/0263218 A1\* 9/2018 Renforth ..... A01K 27/005

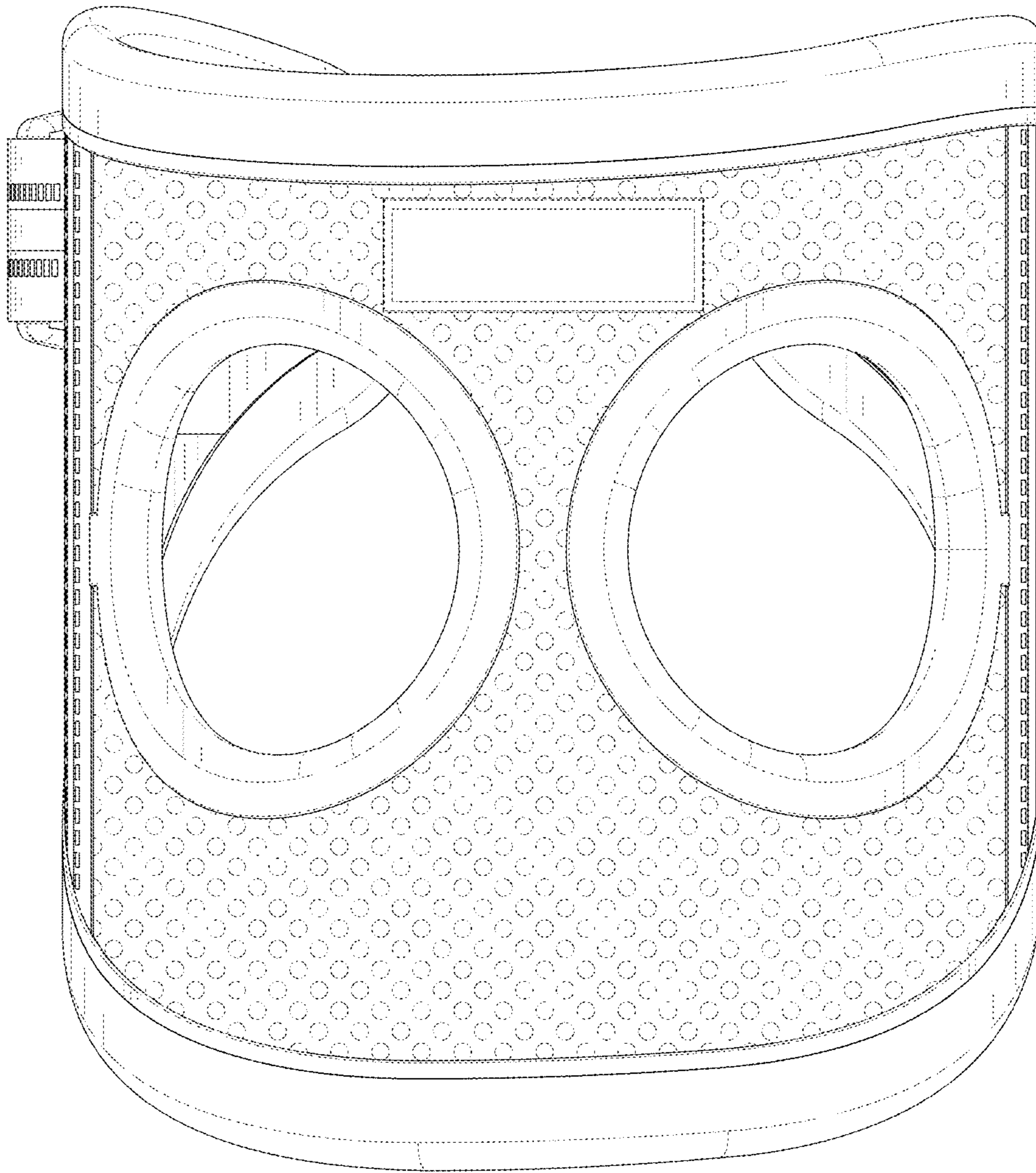
OTHER PUBLICATIONS

“Joytale: Air-Mesh Harness”. Found online Apr. 20, 2022 at amazon.de. Reference dated Sep. 4, 2021. Retrieved from <https://www.amazon.de/-/en/Joytale-Harness-Reflective-Breathable-Puppies/dp/B09D8WBSNZ/>.\*

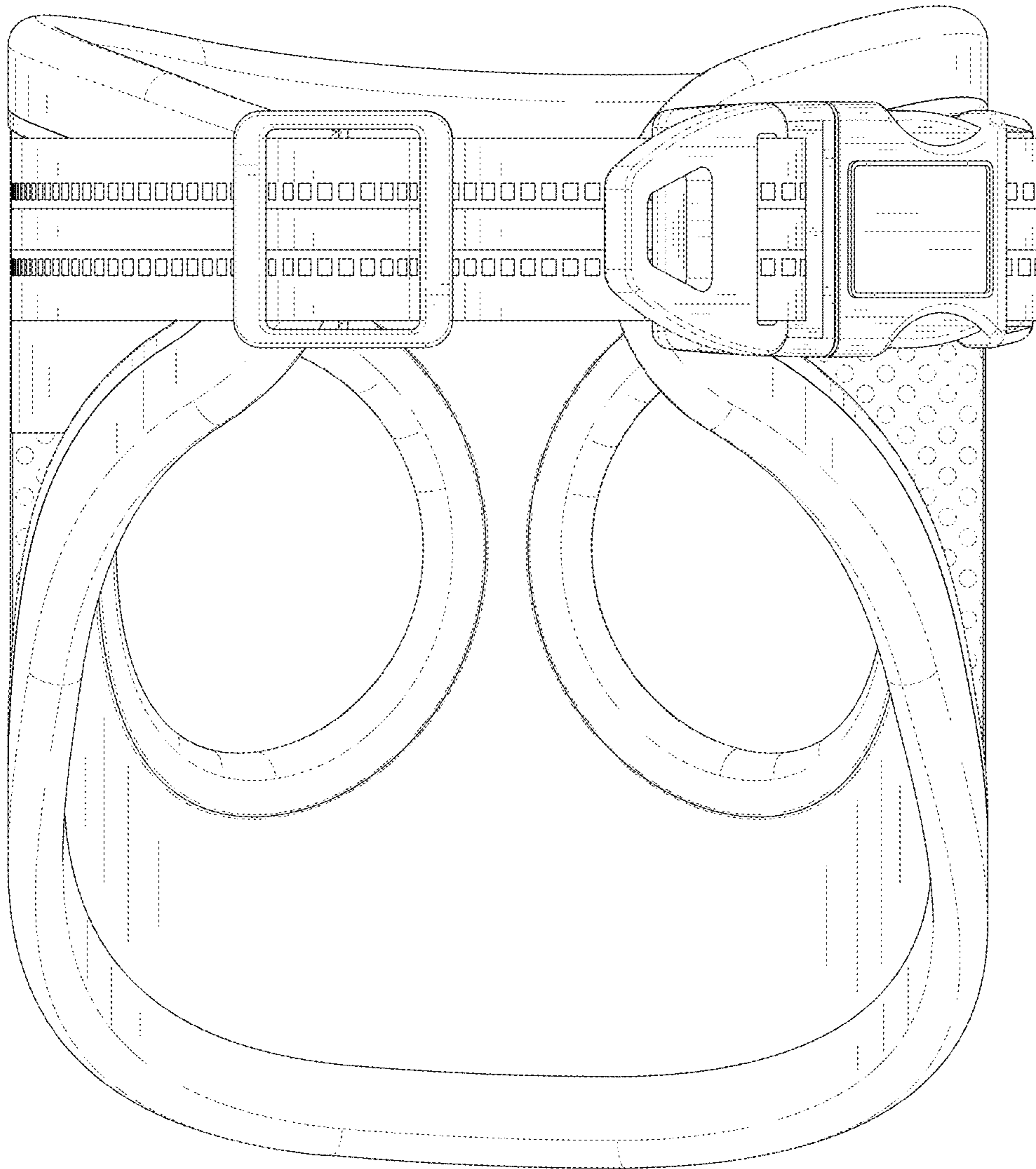
“Best Pet: Voyager Step-in Mesh Harness”. Found online Dec. 27, 2018 at amazon.co.uk. Reference dated Jul. 22, 2014. Retrieved from <https://www.amazon.co.uk/Best-Pet-Supplies-Voyager-Weather/dp/B00M0V7S1G/>.\*

“Lorsoul: Daily Step-In Small Animal Harness”. Found online Apr. 1, 2019 at amazon.co.uk. Reference dated Oct. 12, 2018. Retrieved from <https://www.amazon.co.uk/lorsoul-dog-harness-daily-vest/dp/B07JCF5S2V/>.\*

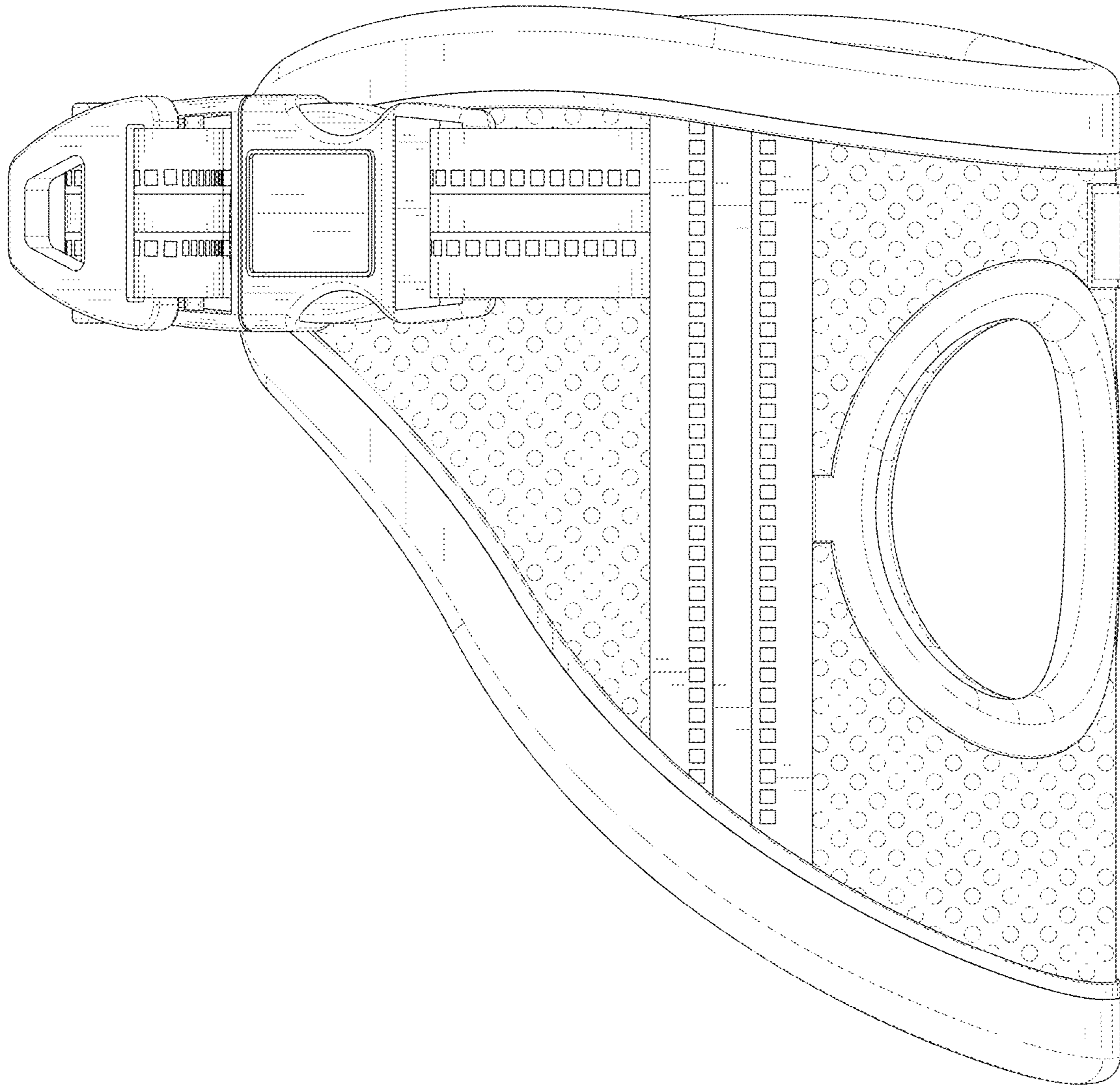
\* cited by examiner



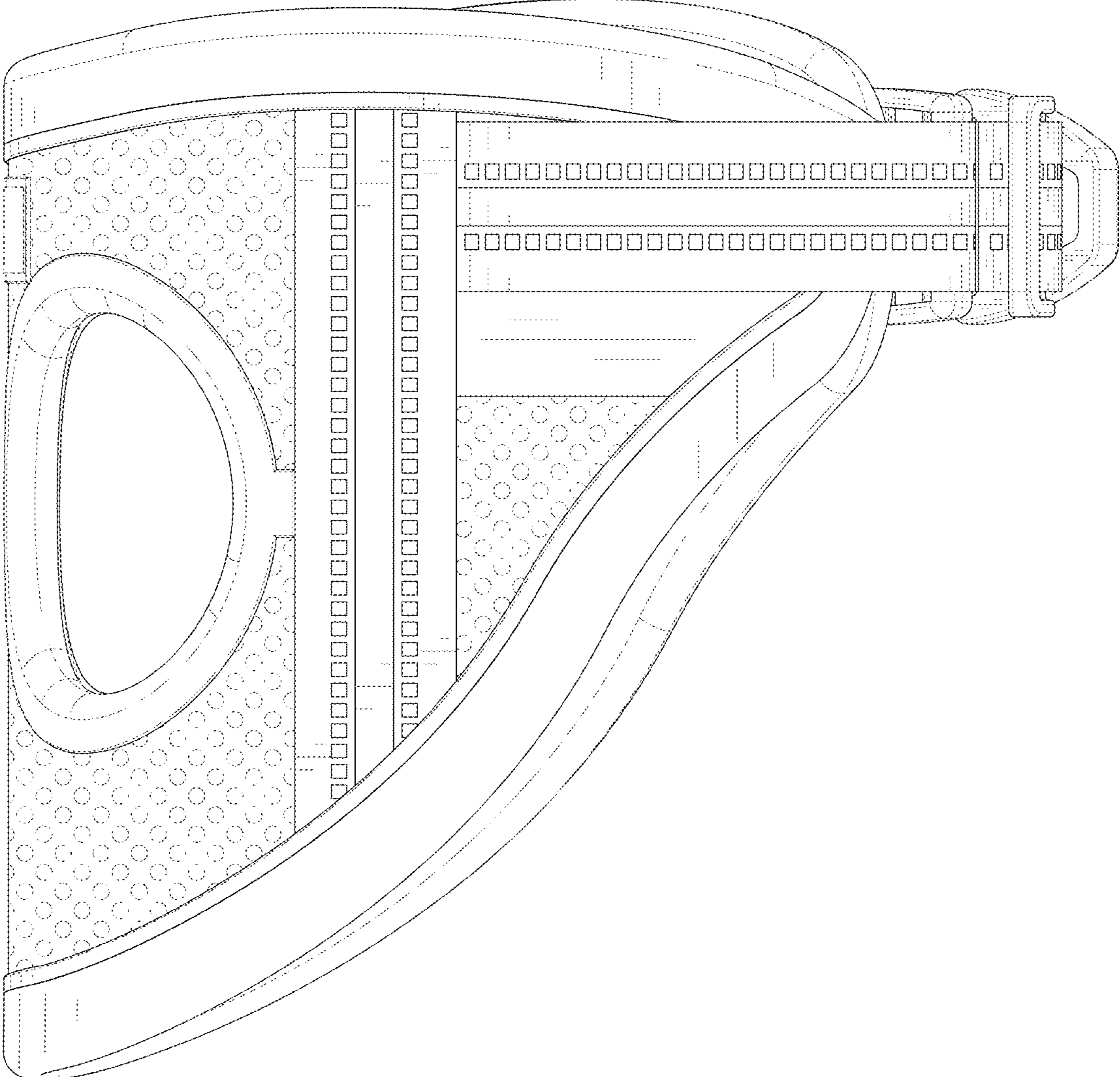
**FIG. 1**



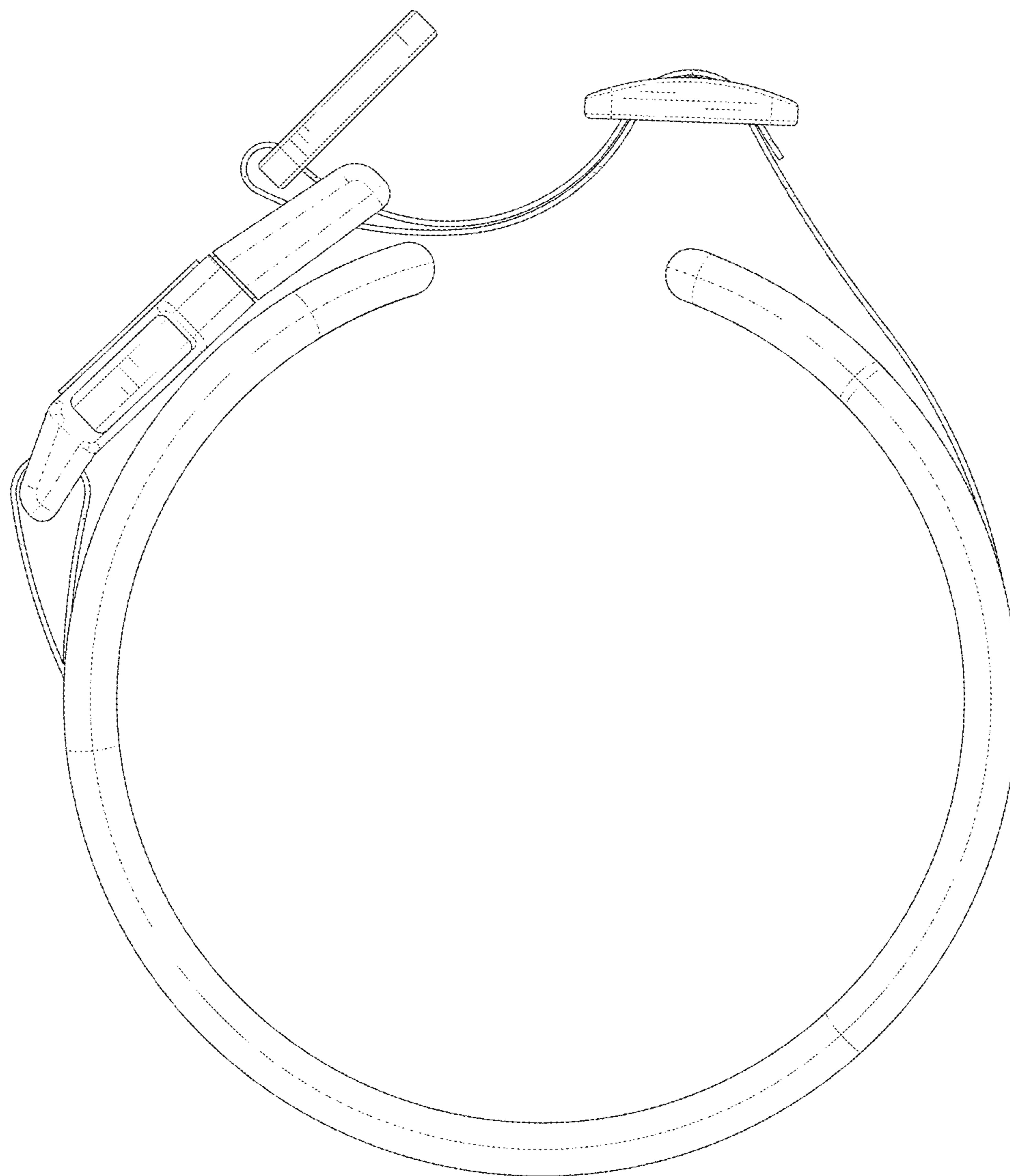
**FIG. 2**



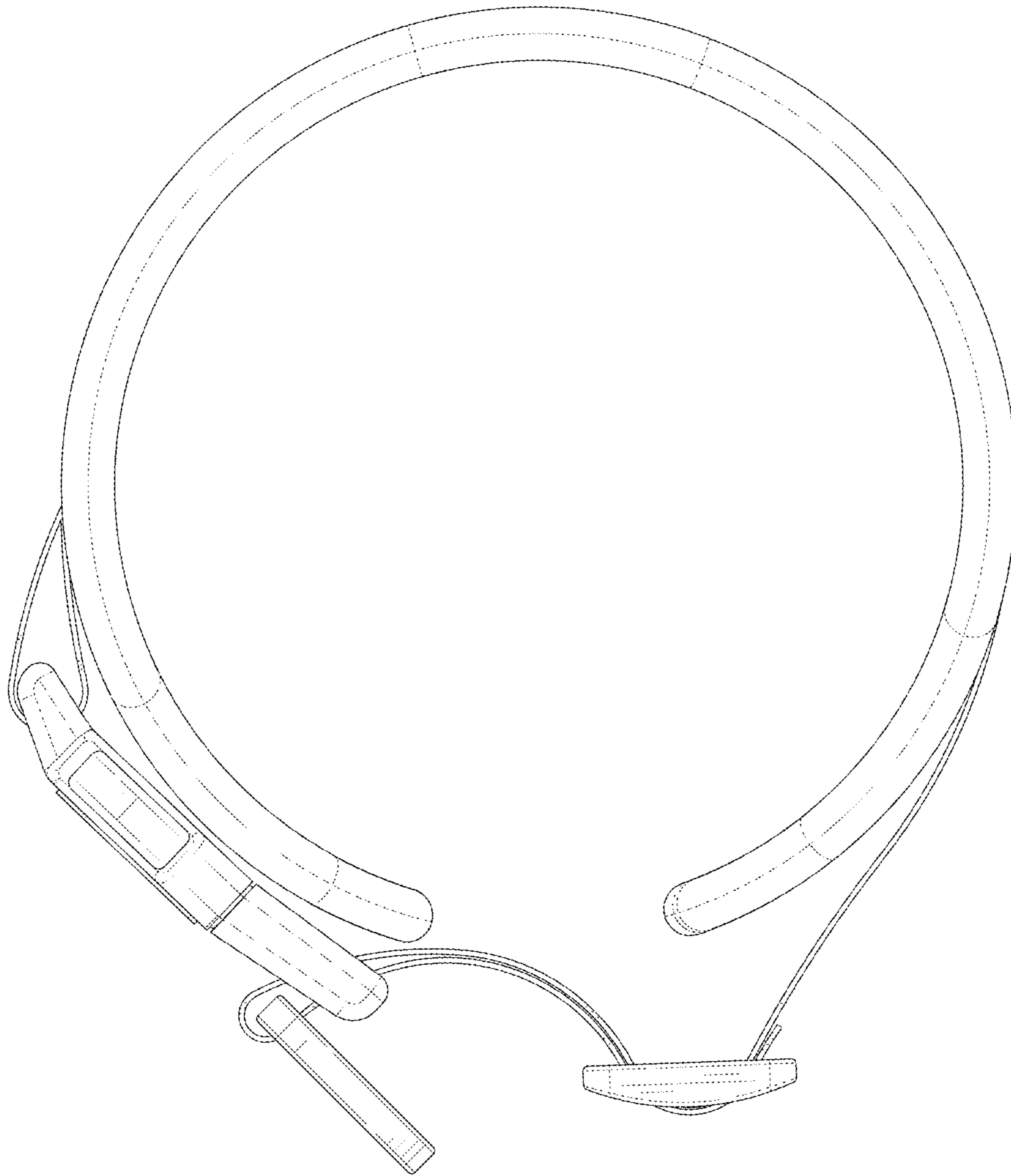
**FIG. 3**



**FIG. 4**

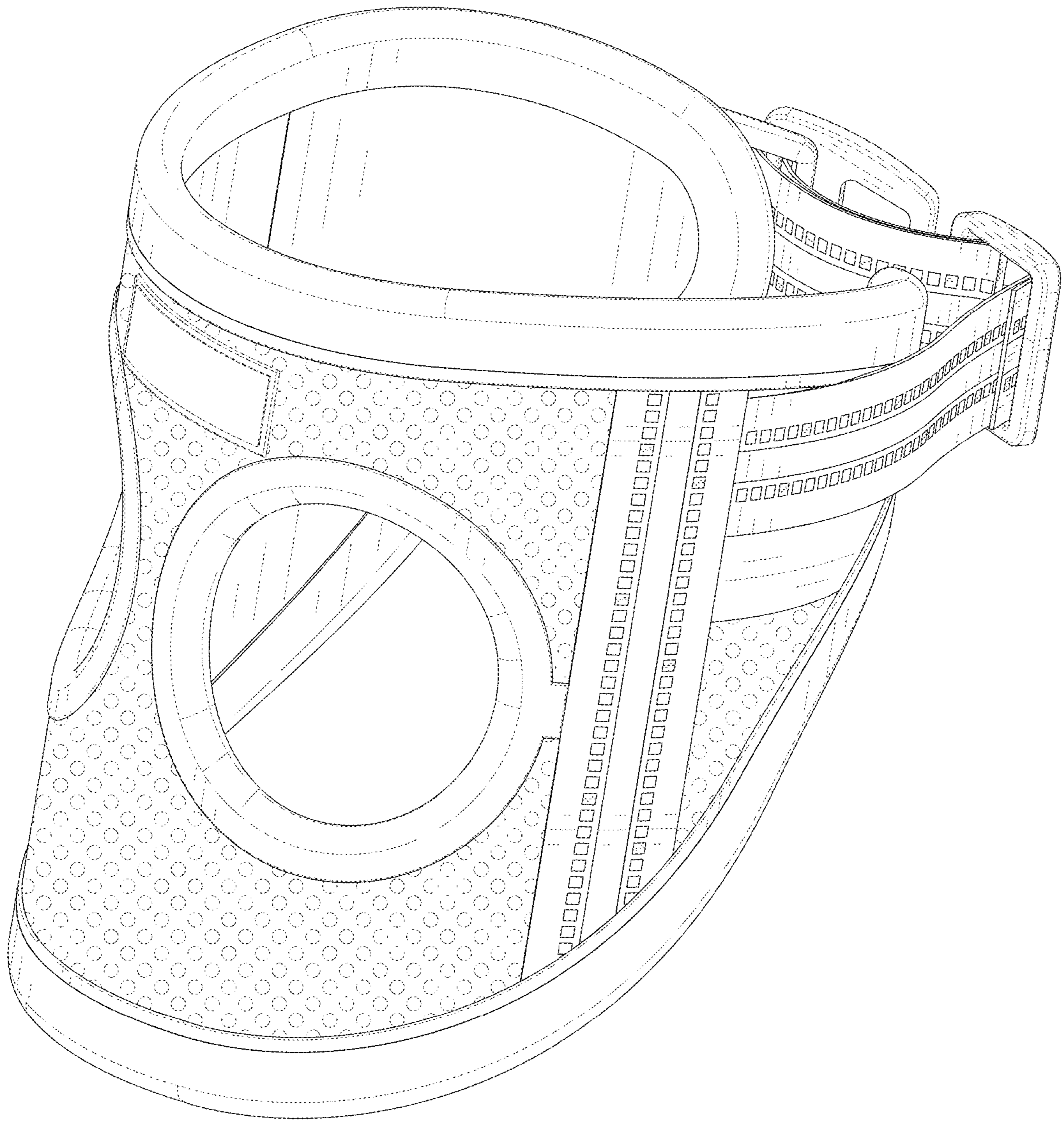


**FIG. 5**

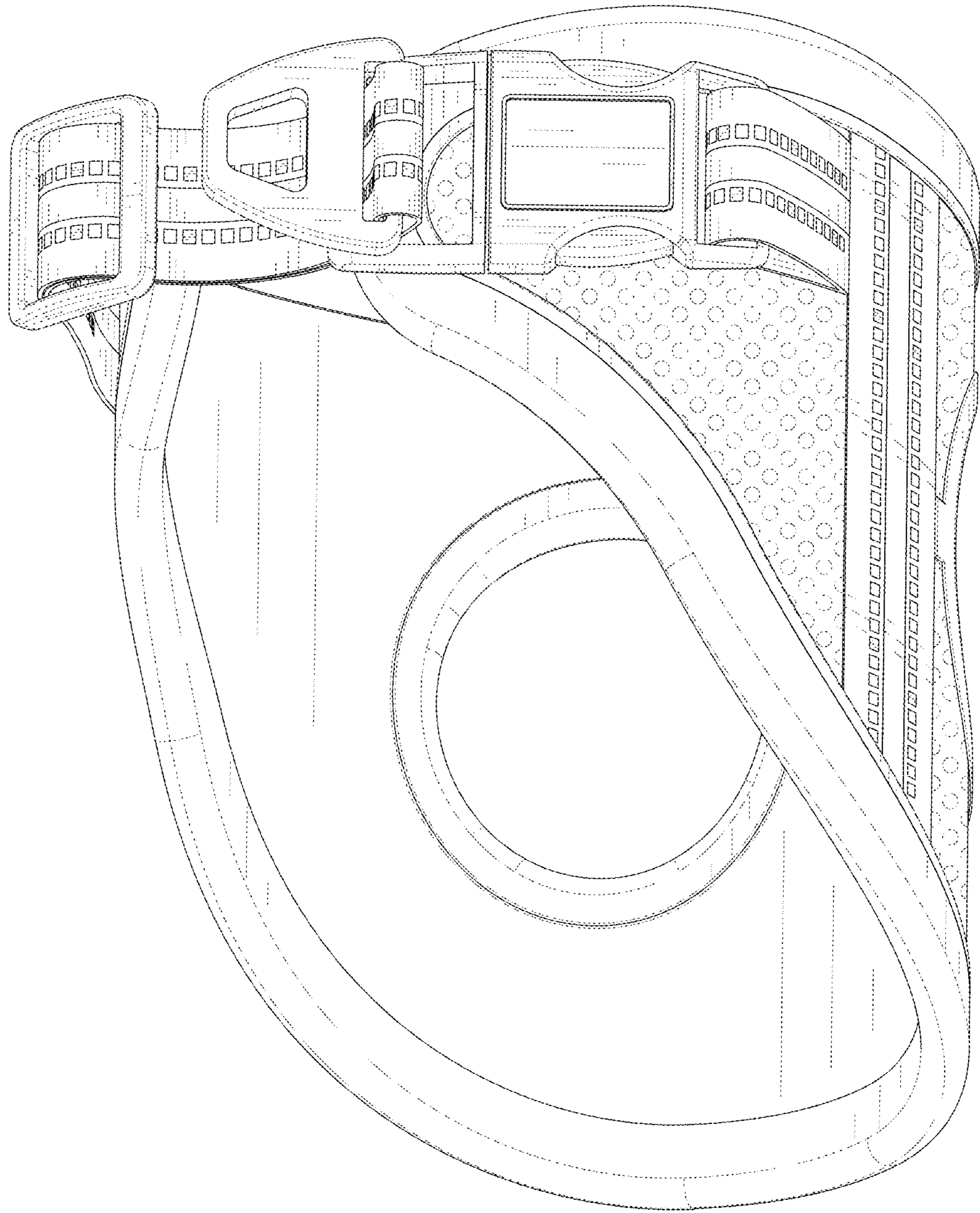


**FIG. 6**





**FIG. 7**



**FIG. 8**