



US00D956367S

(12) **United States Design Patent** (10) **Patent No.:** **US D956,367 S**
Morton et al. (45) **Date of Patent:** **** Jun. 28, 2022**

(54) **COLLAR**

(71) Applicants: **William Morton**, Baltimore, MD (US);
Taylor Morton, Baltimore, MD (US)

(72) Inventors: **William Morton**, Baltimore, MD (US);
Taylor Morton, Baltimore, MD (US)

(**) Term: **15 Years**

(21) Appl. No.: **29/707,295**

(22) Filed: **Sep. 27, 2019**

(51) **LOC (13) Cl.** **30-04**

(52) **U.S. Cl.**
USPC **D30/152**

(58) **Field of Classification Search**
USPC D30/151, 152, 199; D11/3, 79, 213
CPC .. A01K 15/021; A01K 27/001; A01K 11/008;
A01K 29/005; A44C 25/00; A45F 5/021;
A63B 2024/0065; A63B 24/0062
See application file for complete search history.

(56) **References Cited**

U.S. PATENT DOCUMENTS

- 5,604,478 A * 2/1997 Grady A01K 15/02
340/330
- D457,989 S * 5/2002 O'Rourke D30/158
- D572,141 S * 7/2008 Slabaugh D9/414
- D589,660 S * 3/2009 Tolentino-Swem D30/153
- D591,162 S * 4/2009 Slabaugh D9/414
- D614,074 S * 4/2010 Castaline D11/79
- D631,392 S * 1/2011 Lawson D11/213
- D640,151 S * 6/2011 Hill D10/65
- D654,245 S * 2/2012 School D99/5
- D676,202 S * 2/2013 Hansen D30/199
- D685,565 S * 7/2013 Bhandula D99/1
- D689,328 S * 9/2013 Hollinger D7/357
- 8,522,728 B2 * 9/2013 Davis, Jr. A01K 27/001
119/863
- 8,543,134 B2 9/2013 Lopez et al.
- D693,862 S * 11/2013 Wirth, Jr D15/140
- D707,898 S * 6/2014 Ma D30/152
- D715,675 S * 10/2014 Ma D11/3

- D757,374 S * 5/2016 Breit D30/133
- D759,339 S * 6/2016 Smith D99/5
- D776,368 S * 1/2017 Avalos Sartorio D30/118
- 9,675,051 B2 6/2017 Bonge, Jr.
- D804,456 S * 12/2017 Katopis D14/223
- D806,246 S * 12/2017 Schraga D24/146
- D811,622 S * 2/2018 Flood D25/113
- D812,594 S * 3/2018 Katopis D14/223
- D819,901 S * 6/2018 Bone D30/199
- 10,271,524 B2 4/2019 Chen

(Continued)

OTHER PUBLICATIONS

“Genuine Red Leather Metal Paw Studs Padded Dog Collar.” Found online Oct. 22, 2021 at www.amazon.com. Product first available Nov. 22, 2011. Retrieved from URL: <https://www.amazon.com/Genuine-Leather-Metal-Padded-Collar/dp/B00BNOVTZM> (Year: 2011).*

(Continued)

Primary Examiner — Mary Ann Calabrese
Assistant Examiner — Katelin G Kloberg
(74) *Attorney, Agent, or Firm* — Cramer Patent & Design, PLLC; Aaron R. Cramer

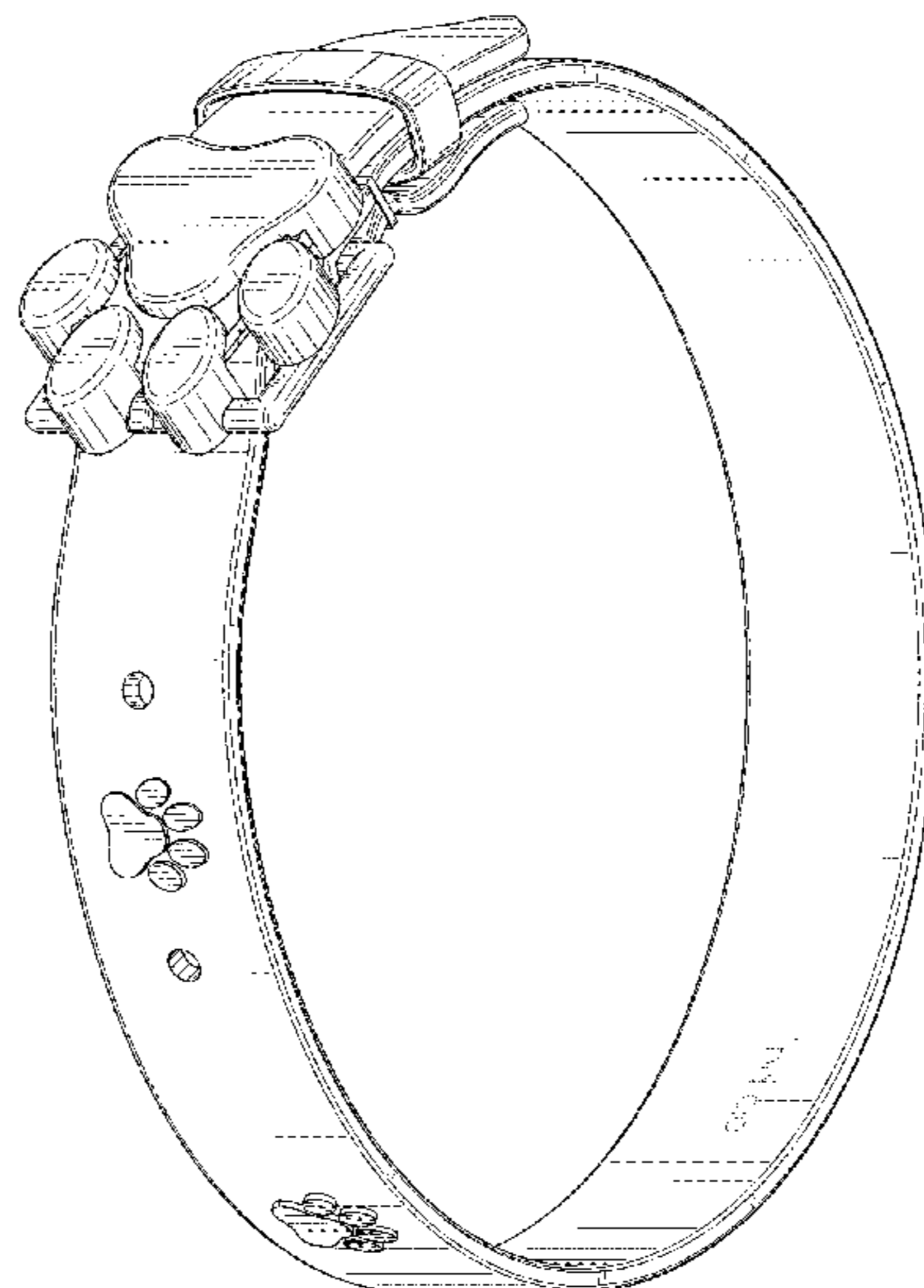
(57) **CLAIM**

The ornamental design for a collar, as shown and described.

DESCRIPTION

FIG. 1 is a top, front, right side perspective view of a collar, showing our new design;
FIG. 2 is a top, rear, left side perspective view thereof;
FIG. 3 is a front elevation view thereof;
FIG. 4 is a rear elevation view thereof;
FIG. 5 is a left elevation view thereof;
FIG. 6 is a right elevation view thereof;
FIG. 7 is a top plan view thereof; and,
FIG. 8 is a bottom plan view thereof.
The broken lines shown in the drawings depict portions of the article and form no part of the claimed design.

1 Claim, 6 Drawing Sheets



(56)

References Cited

U.S. PATENT DOCUMENTS

D859,776	S *	9/2019	Khan	D99/5
D869,817	S *	12/2019	White	D1/109
D872,576	S *	1/2020	Tomassetti	D9/451
D890,124	S *	7/2020	ShiXing	D14/205
D902,504	S *	11/2020	Katopis	D30/159
D913,175	S *	3/2021	Spencer	D12/193
D928,424	S *	8/2021	Waddick	D30/152
D929,672	S *	8/2021	Hoover	D30/160
2006/0010913	A1 *	1/2006	Torres	A44C 25/00 63/23
2007/0204804	A1	9/2007	Swanson et al.		
2011/0132269	A1 *	6/2011	Davidson	A45F 5/02 119/161
2011/0169183	A1 *	7/2011	Axelrod	A01K 15/026 264/46.4
2015/0342149	A1 *	12/2015	Lutz	A01K 27/006 119/859

OTHER PUBLICATIONS

“Paw Print Collar by OmniPet.” Found online Oct. 22, 2021 at www.gollygear.com. Product reviewed Jun. 14, 2013. Retrieved

from URL: <https://www.gollygear.com/ProductCart/pc/Paw-Print-Collar-by-OmniPet-p1400.htm> (Year: 2013).*

“CUECUEPET Adjustable Dog Collar with Embellished Paw Bling Charms.” Found online Oct. 22, 2021 at www.walmart.com. Product reviewed Nov. 13, 2016. Retrieved from URL: <https://tinyurl.com/yt34v779> (Year: 2016).*

“Two Tone Pawprint Matching Dog Collar and Leash.” Found online Oct. 22, 2021 at www.amazon.com. Product first available Dec. 6, 2017. Retrieved from URL: <https://www.amazon.com/Guardian-Gear-Pawprint-Matching-Reinforced/dp/B01N5XLEYQ?th=1> (Year: 2017).*

Top 13 GPS Trackers for Your Pets. Article [online], © 2019 PawTracker. PT Labs, LLC. [by Scott Roberts; published on Feb. 11, 2016; revised on Mar. 26, 2019; retrieved on Jun. 26, 2019]. Retrieved from the Internet: <URL: <https://www.thepawtracker.com/blogs/the-pet-tracker-blog-by-the-paw-tracker/84621315-top-13-gps-pet-trackers-dog-and-cat-cell-phones-best-of-2016-reviewed>>.

All-in-one GPS Pet Tracker and Pet Activity Monitor. Product Listing [online]. © 2019 Findster Technologies, [retrieved on Jun. 26, 2019], Retrieved from the Internet: <URL: <https://getfindster.com/store/>>.

* cited by examiner

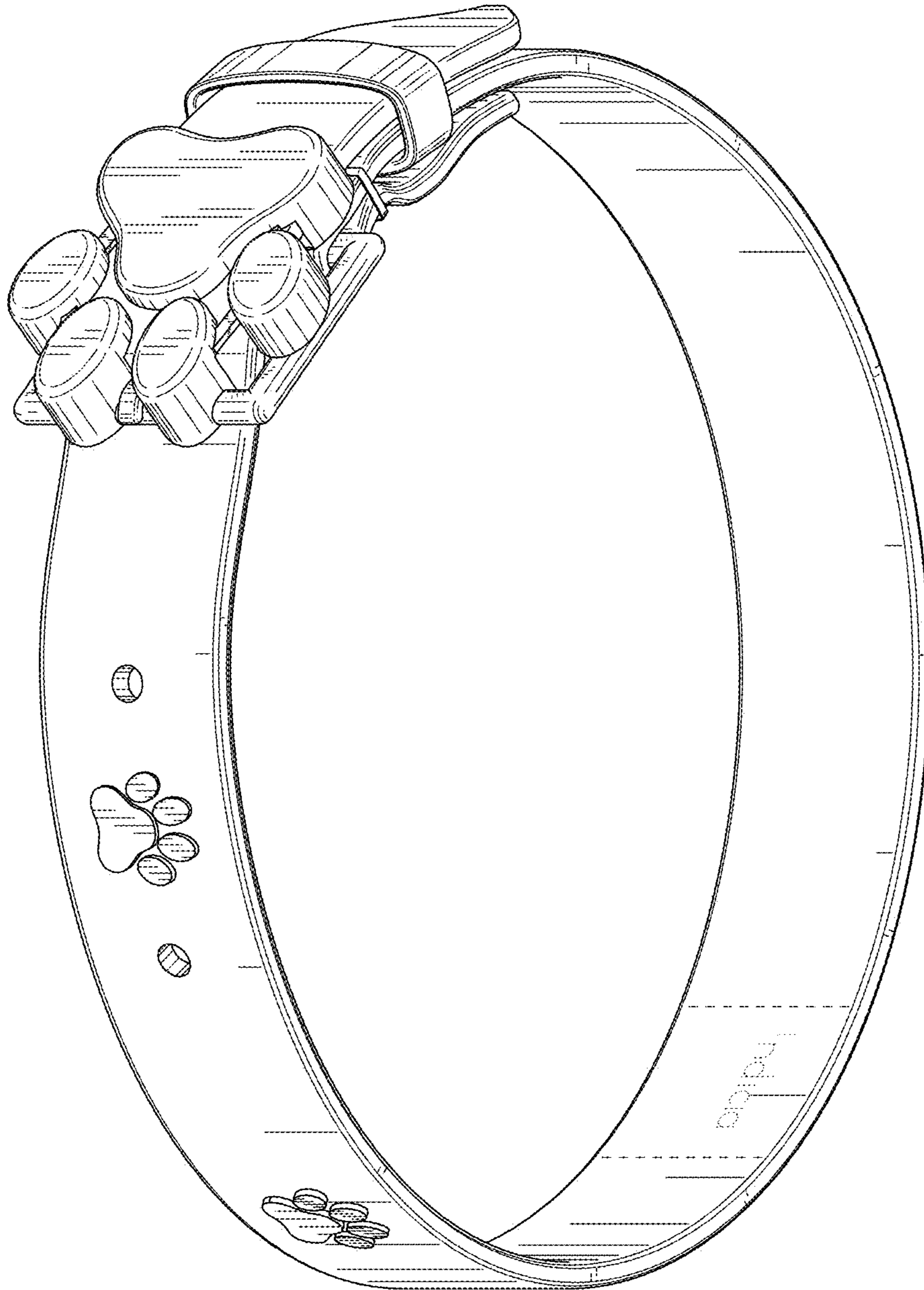


FIG. 1

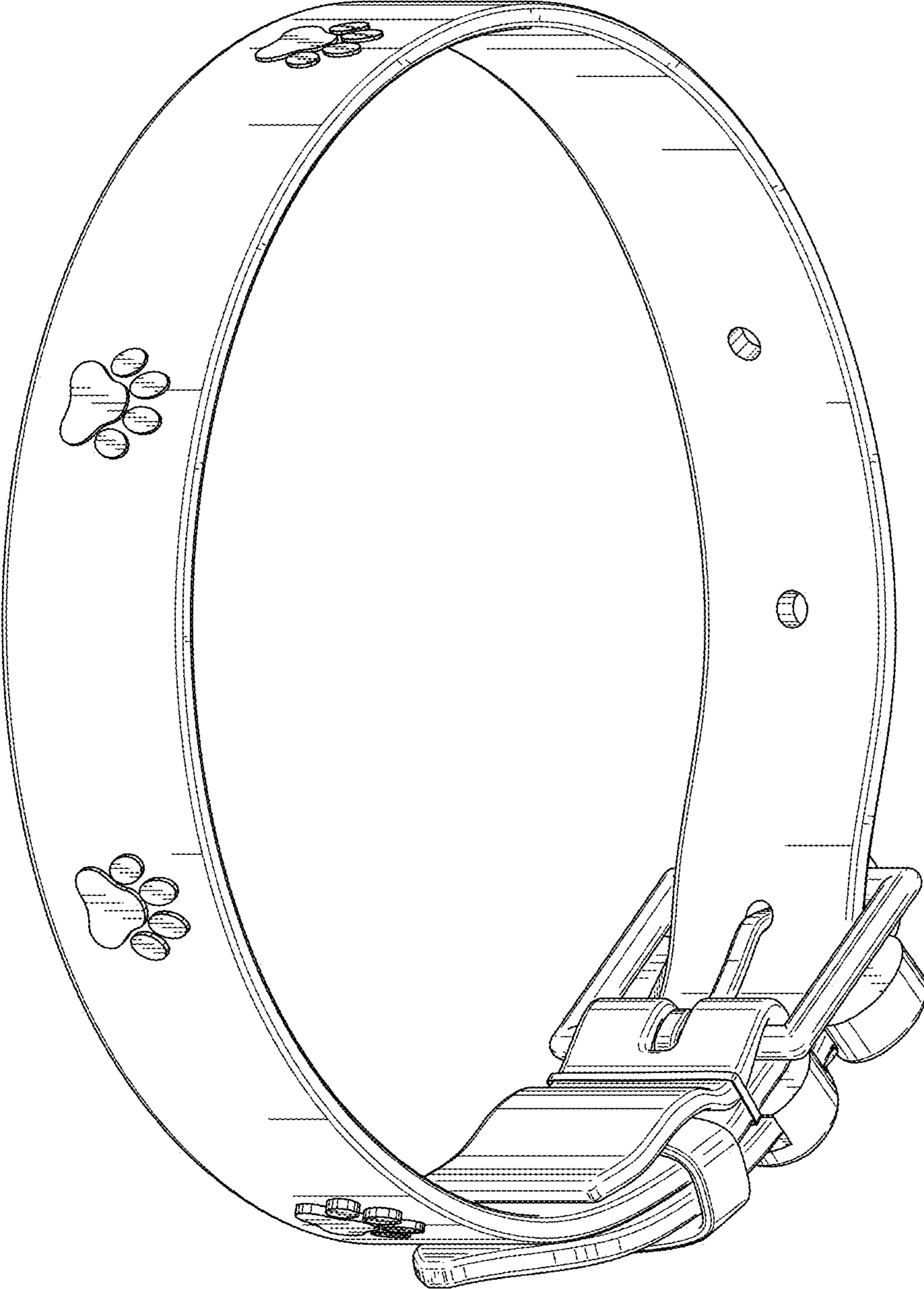


FIG. 2

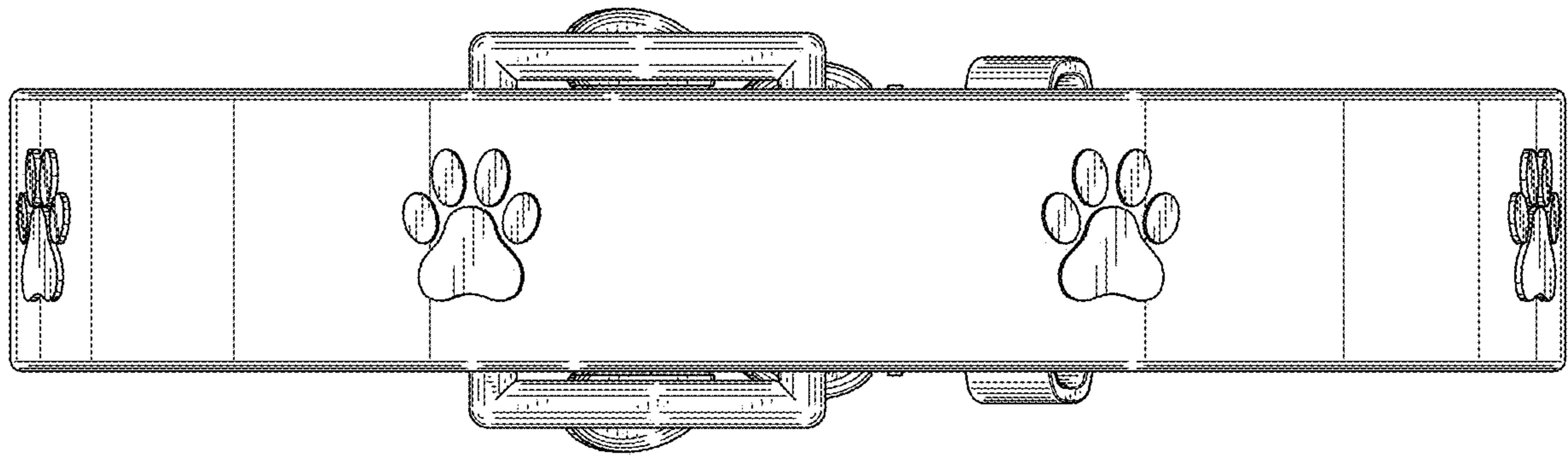


FIG. 4

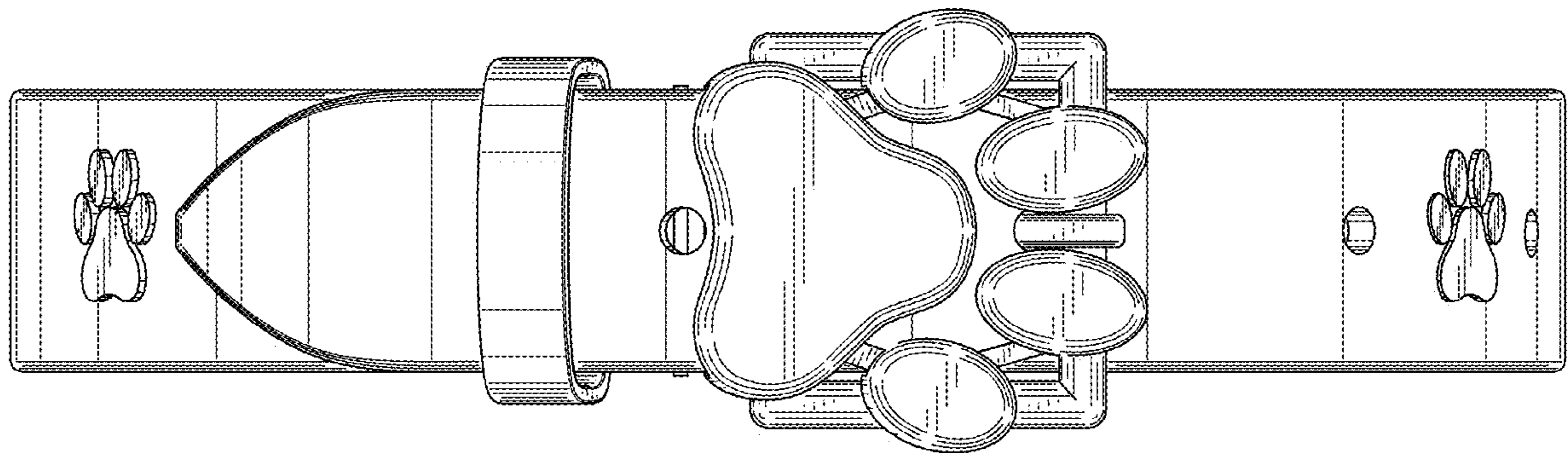


FIG. 3

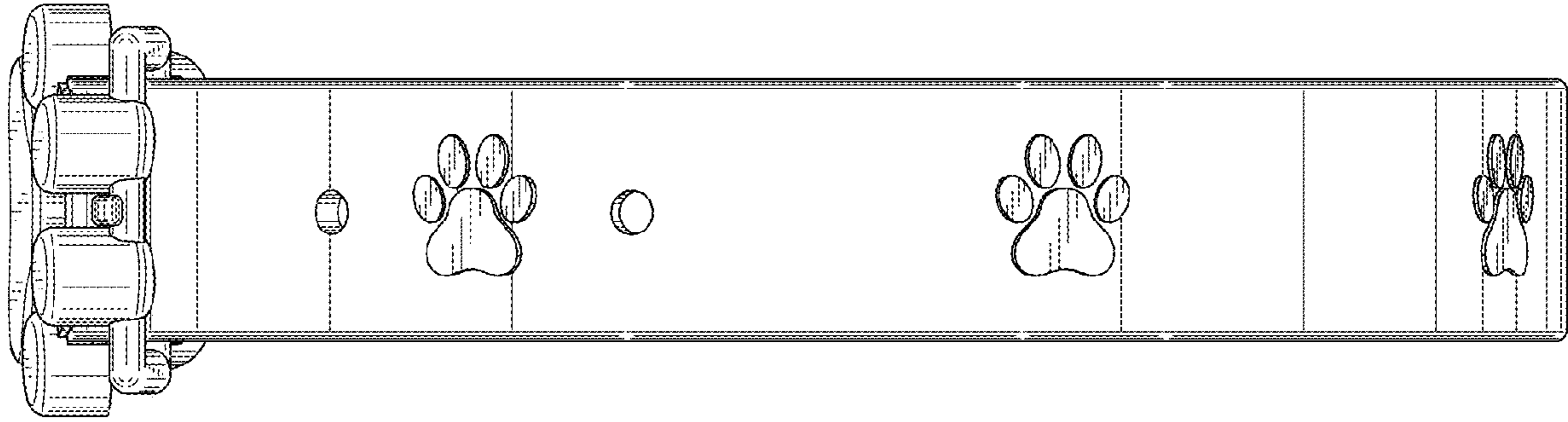


FIG. 6

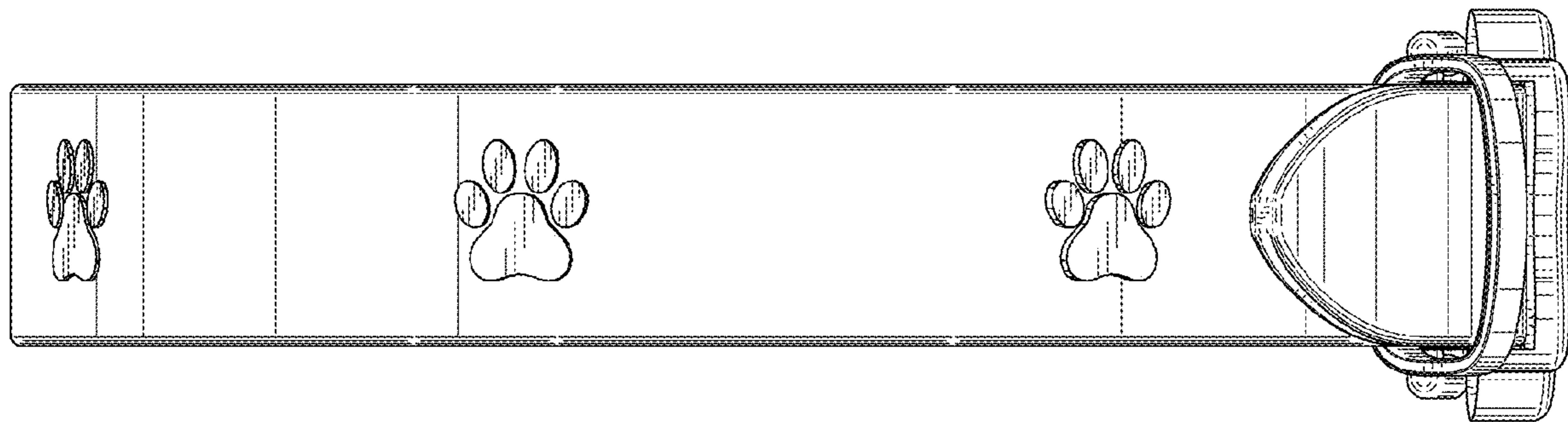


FIG. 5

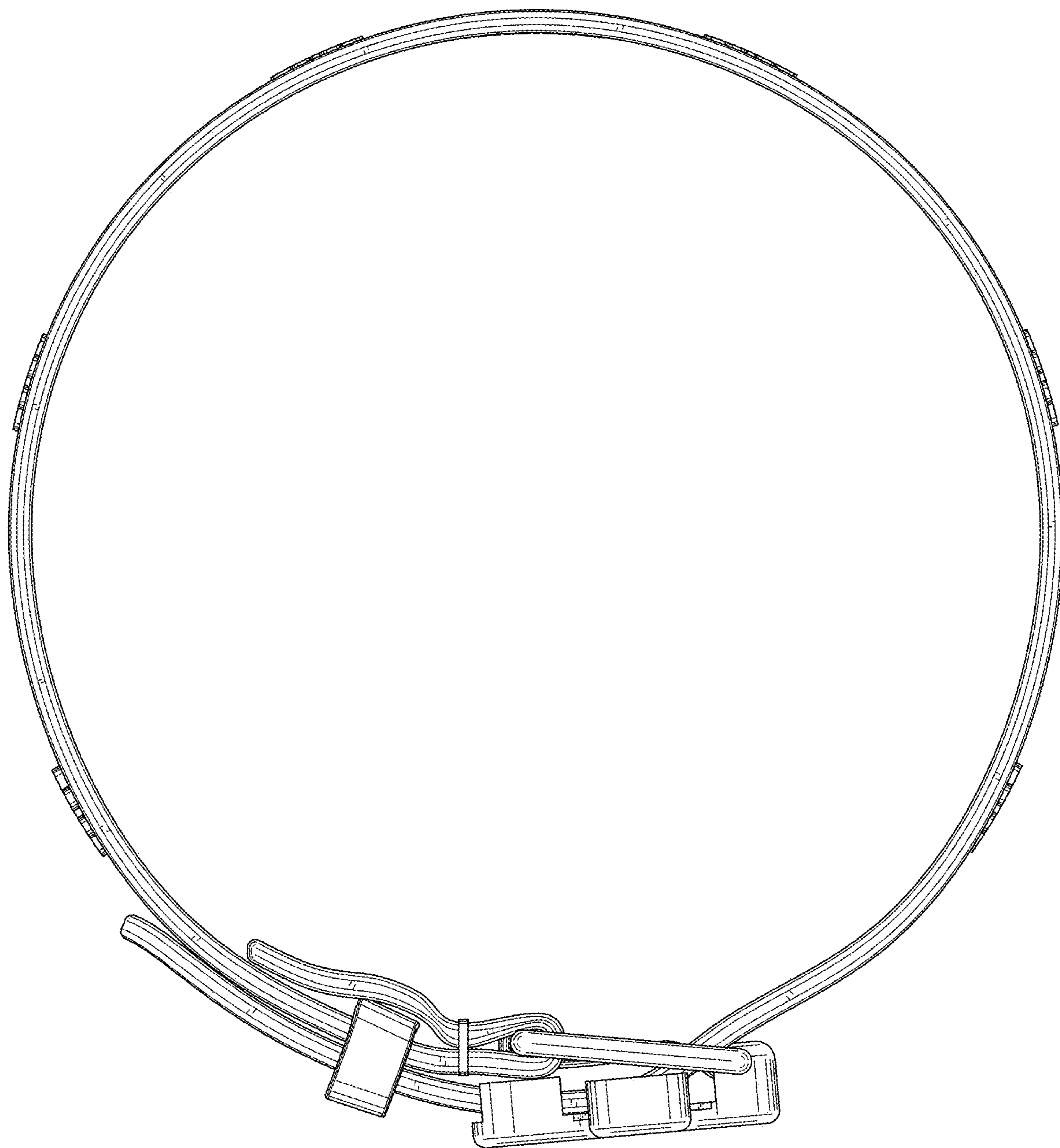


FIG. 7

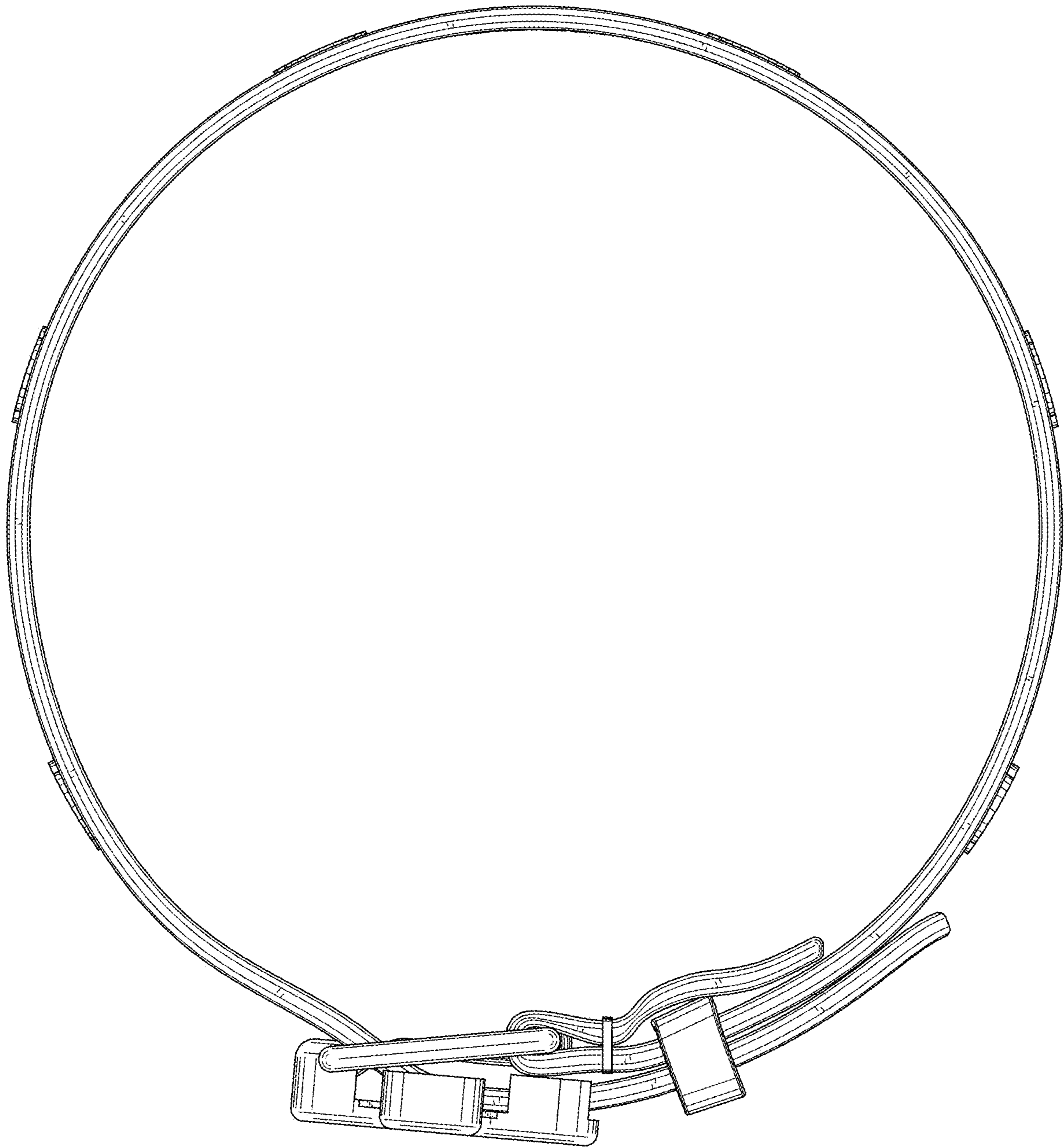


FIG. 8