

US00D956366S

(12) **United States Design Patent**
Liu

(10) **Patent No.: US D956,366 S**

(45) **Date of Patent: ** Jun. 28, 2022**

(54) **DRINKING FOUNTAIN**

(71) Applicant: **SHENZHEN QIANHAI HOMERUN
SMART TECHNOLOGY CO., LTD.,
Shenzhen (CN)**

(72) Inventor: **Kun Liu, Shenzhen (CN)**

(**) Term: **15 Years**

(21) Appl. No.: **29/754,624**

(22) Filed: **Oct. 13, 2020**

(51) **LOC (13) Cl. 30-03**

(52) **U.S. Cl.**
USPC **D30/132**

(58) **Field of Classification Search**
USPC D23/202, 207, 209, 213, 222, 225,
D23/255-256, 272, 273; D30/121-133
CPC .. A01K 5/0114; A01K 5/0121; A01K 5/0135;
A01K 7/005; A01K 7/00; A01K 39/02;
F04B 23/00; F04B 23/02; Y10T
137/86035; Y10T 137/8376

See application file for complete search history.

(56) **References Cited**

U.S. PATENT DOCUMENTS

D312,895 S * 12/1990 Goetz D30/129
D650,239 S * 12/2011 Laib D7/589
8,272,350 B1 * 9/2012 England A01K 5/025
119/52.1
D836,850 S * 12/2018 Li D30/122
D856,603 S * 8/2019 Hong A01K 5/0114
D30/122
D889,049 S * 6/2020 Chen B65D 43/0204
D30/122
D910,933 S * 2/2021 Tang D30/132

D920,592 S * 5/2021 Tang A01K 5/025
D30/122
D928,423 S * 8/2021 Tao D30/132
D929,670 S * 8/2021 Gong D30/129
2018/0242553 A1 * 8/2018 Nemeth B65D 43/0204
2020/0178499 A1 * 6/2020 Peacock A01K 5/0114
2021/0000067 A1 * 1/2021 Peacock A01K 5/0135

OTHER PUBLICATIONS

Huimpet fountain Nov. 22, 2021 found on Mar. 3, 2022 at <https://www.amazon.com/Huimpet-Indicator-Quadruple-Filtration-Dispenser/dp/B09MCRY68R/> (Year: 2021).*

* cited by examiner

Primary Examiner — Karen S Acker
Assistant Examiner — Jonathan E Fiencke

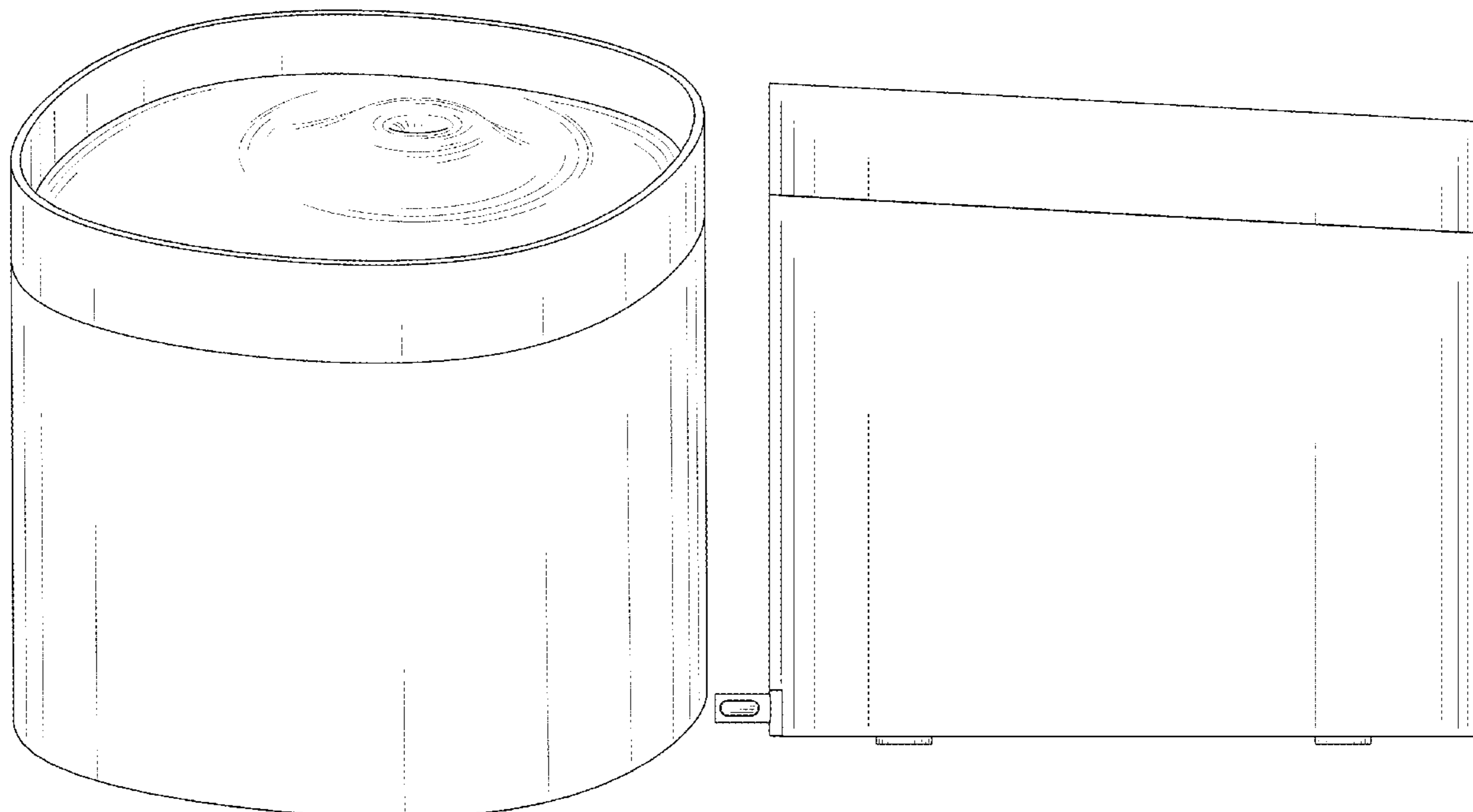
(57) **CLAIM**

The ornamental design for a drinking fountain, as shown and described.

DESCRIPTION

FIG. 1 is a perspective view of a drinking fountain showing my new design;
FIG. 2 is a front view thereof;
FIG. 3 is a rear view thereof;
FIG. 4 is a left side view thereof;
FIG. 5 is a right side view thereof;
FIG. 6 is a top plan view thereof; and,
FIG. 7 is a bottom plan view thereof.
The broken lines in the figures illustrate portions of the drinking fountain that form no part of the claimed design.

1 Claim, 7 Drawing Sheets



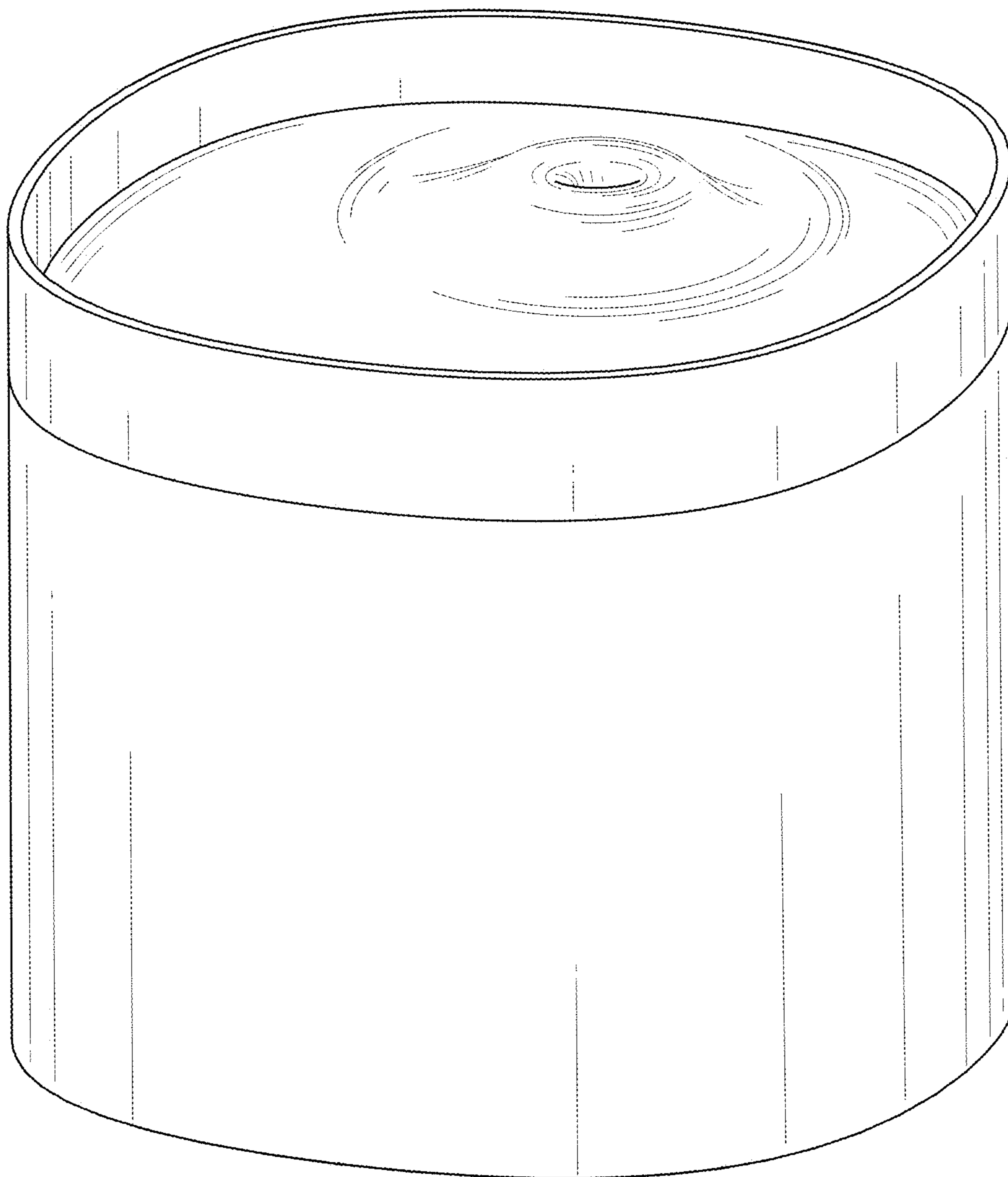


FIG. 1

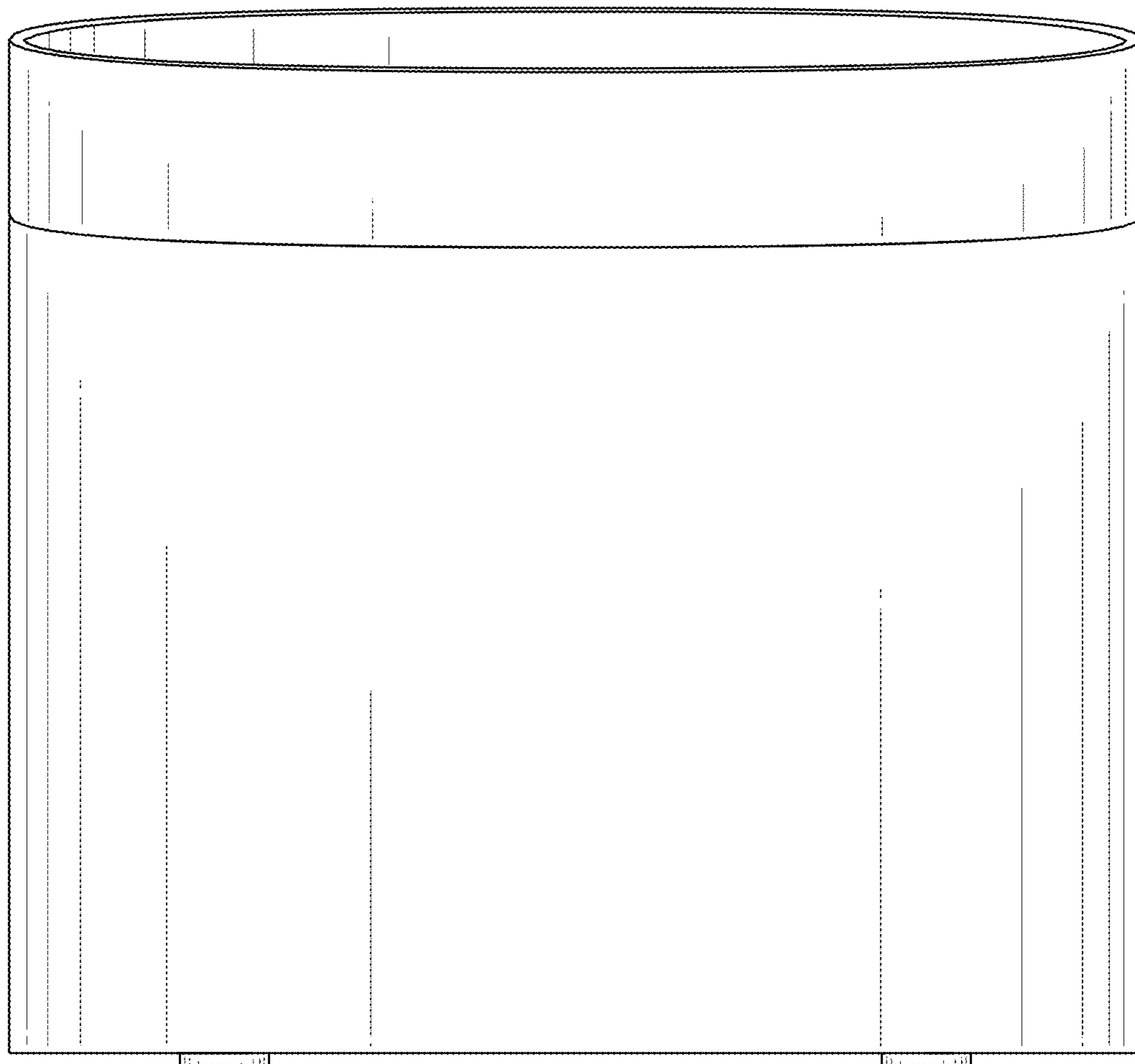


FIG. 2

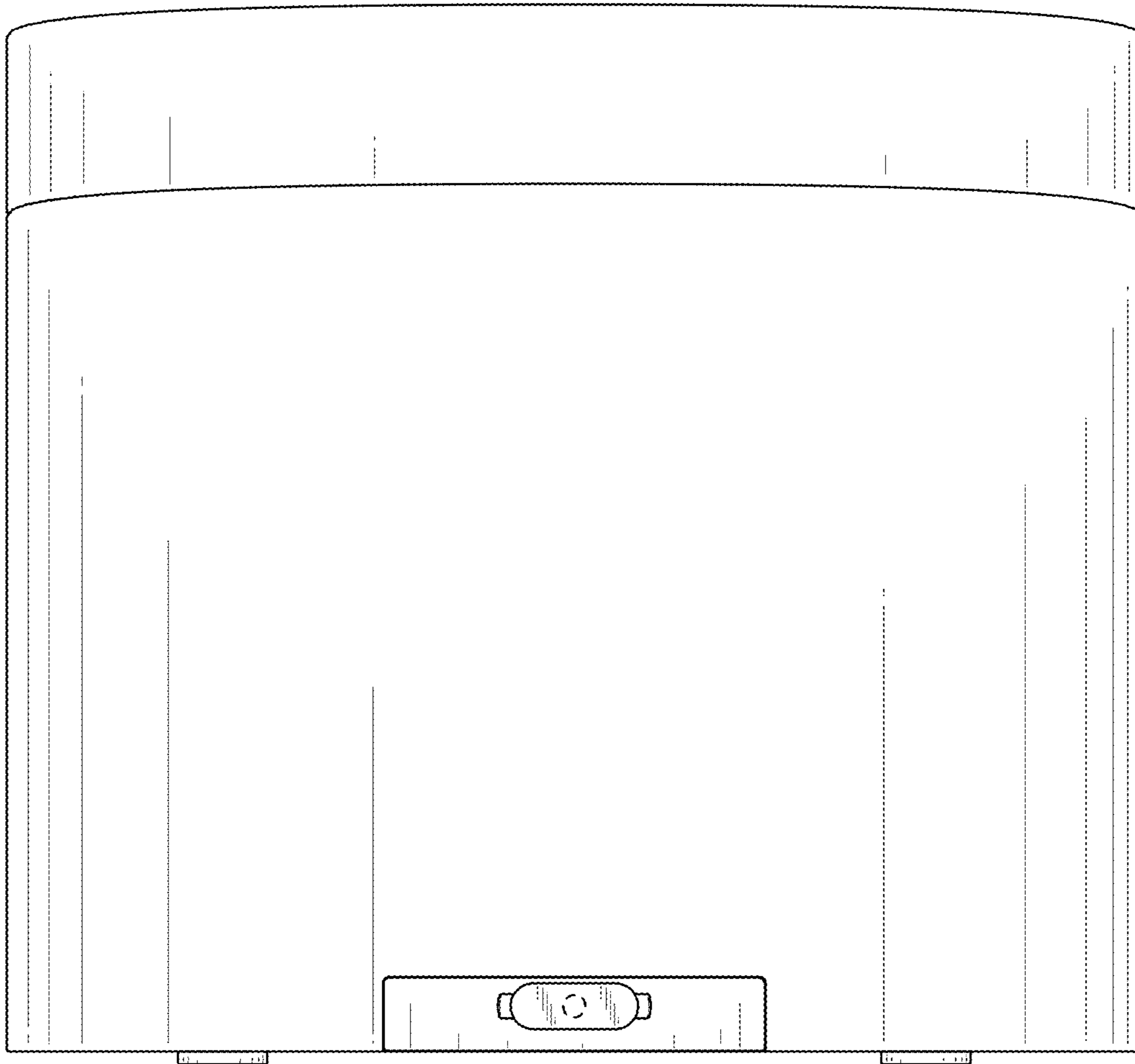


FIG. 3

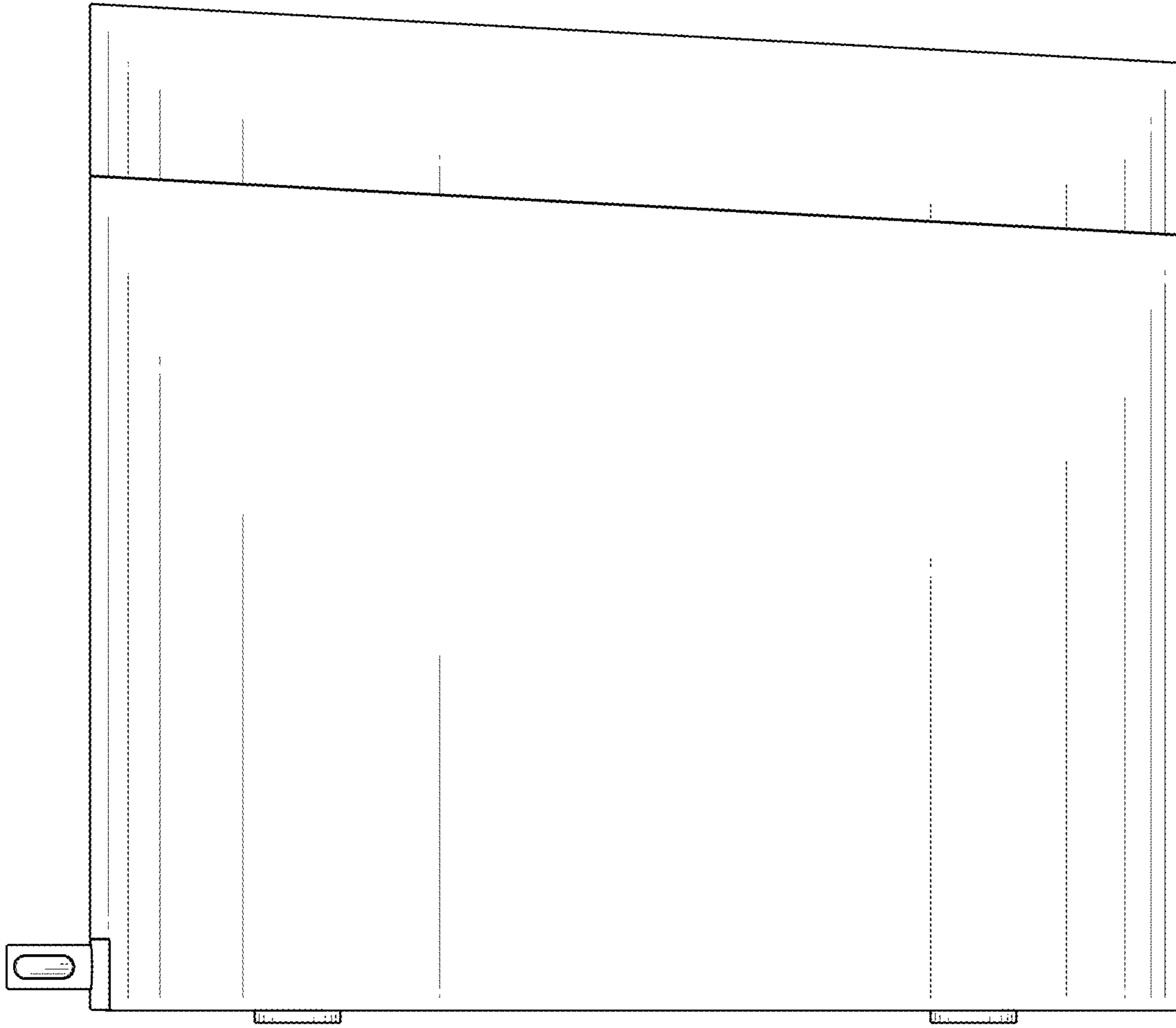


FIG. 4

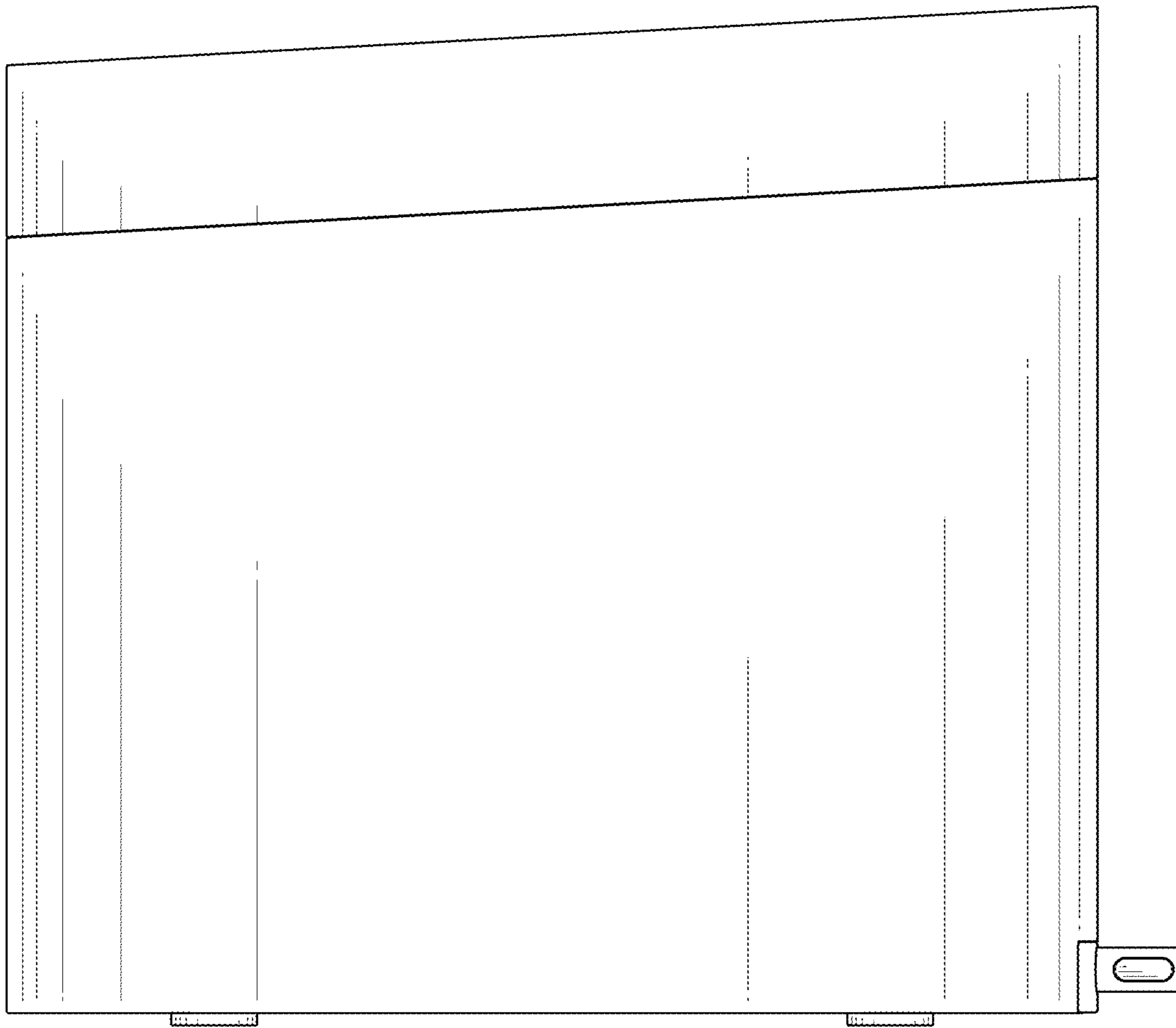


FIG. 5

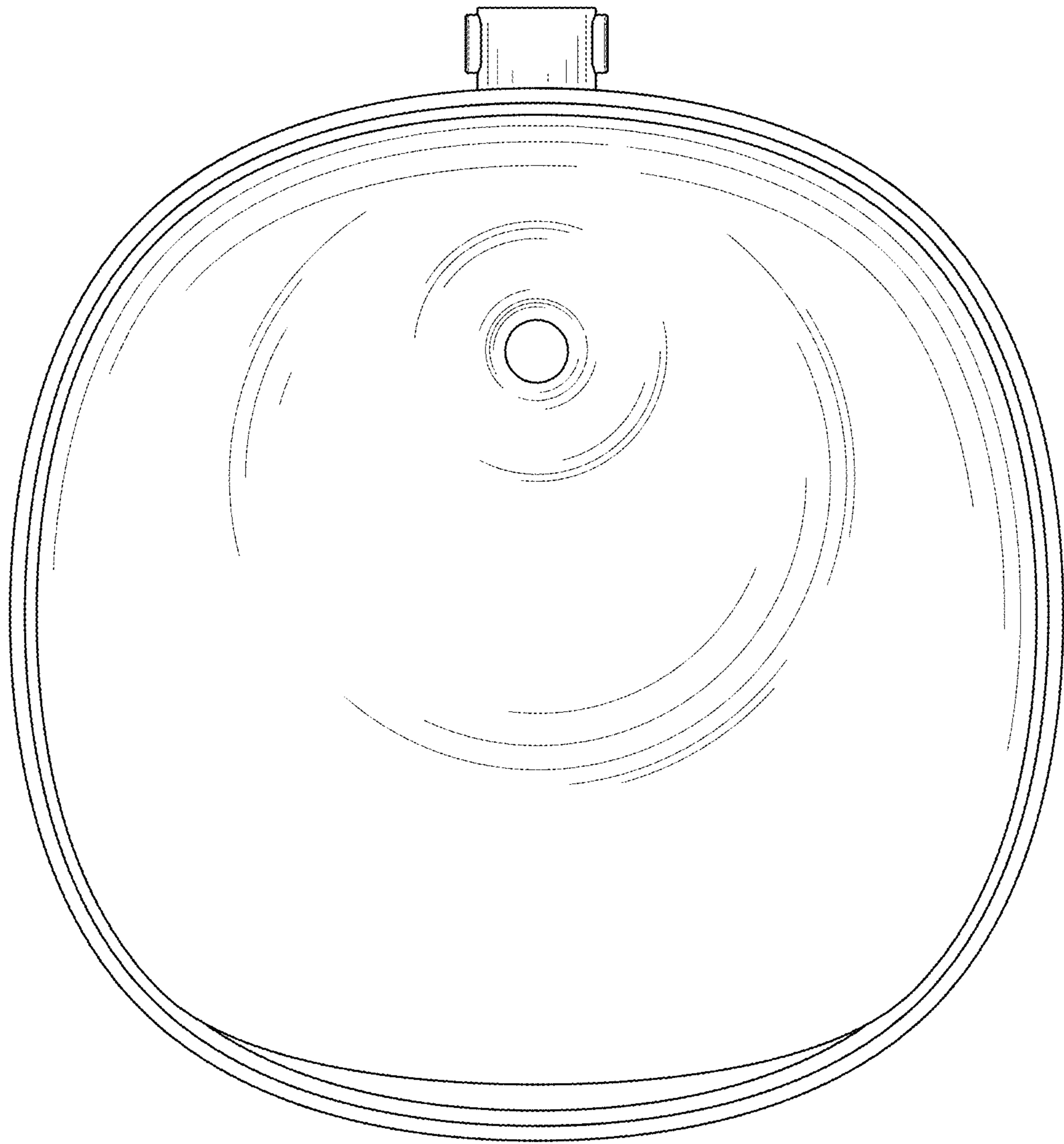


FIG. 6

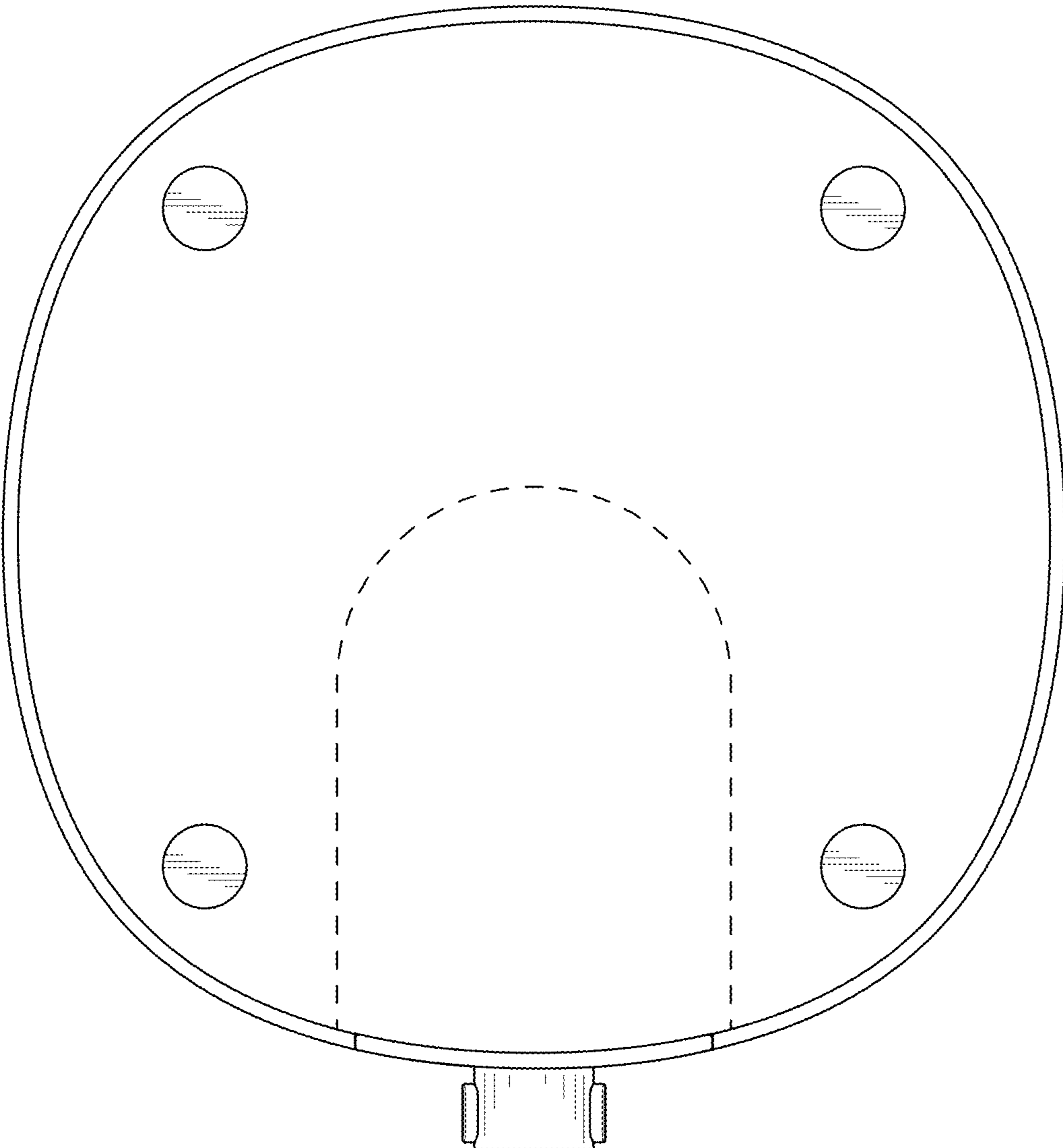


FIG. 7