



US00D956365S

(12) **United States Design Patent** (10) **Patent No.:** **US D956,365 S**
Li (45) **Date of Patent:** **** Jun. 28, 2022**

(54) **PORTABLE CAT TRAVEL CARRIER**

(71) Applicant: **Zongpu Li**, Shanghai (CN)

(72) Inventor: **Zongpu Li**, Shanghai (CN)

(73) Assignee: **Shanghai Wangmengzhu Pet Products Co., Ltd.**, Shanghai (CN)

(**) Term: **15 Years**

(21) Appl. No.: **29/745,275**

(22) Filed: **Aug. 5, 2020**

(51) **LOC (13) Cl.** **30-02**

(52) **U.S. Cl.**
USPC **D30/109; D3/279**

(58) **Field of Classification Search**
USPC D3/232, 279; D30/108, 109, 110, 111,
D30/112, 113, 114, 115, 116, 117, 118,
D30/119, 120, 160, 161
CPC .. A01K 1/0107; A01K 1/0236; A01K 1/0272;
A01K 1/029; A01K 1/033; A01K 1/034;
A01K 1/035; A01K 1/0035; A45C 5/08;
A45C 7/0086
See application file for complete search history.

(56) **References Cited**

U.S. PATENT DOCUMENTS

D480,211 S *	10/2003	Wolf	D3/276
D565,295 S *	4/2008	Weir	D3/279
D679,907 S *	4/2013	Kwon	D3/279
D705,996 S *	5/2014	Renforth	D30/109
D735,993 S *	8/2015	Koepke	D3/905
9,392,766 B1 *	7/2016	Elden	B62B 3/106
D812,908 S *	3/2018	Shum	A01K 1/0254 D3/279
D834,763 S *	11/2018	Laicheng	A01K 1/0236 D30/109
D849,333 S *	5/2019	Laicheng	D30/109
2007/0102253 A1 *	5/2007	Godshaw	A01K 1/0254 190/102

2016/0192614 A1 *	7/2016	Hawk	A01K 1/0236 119/497
2018/0228120 A1 *	8/2018	Laicheng	A45C 7/0045
2019/0014736 A1 *	1/2019	Greenberg, Jr.	A45C 13/385

FOREIGN PATENT DOCUMENTS

CN 301322675 * 8/2010

OTHER PUBLICATIONS

18-inch Suitcase Round Row Children's Suitcase, available in Amazon.ca, date first available Nov. 16, 2019 [online], [site visited Feb. 15, 2022], Available from the internet URL: https://www.amazon.ca/dp/B08157FRHH/ref=cm_sw_em_r_mt_dp_8RMGZG5DDKVEK7V8TNP0?th=1 (Year: 2019).*

(Continued)

Primary Examiner — Jennifer L Rempfer
Assistant Examiner — Elizabeth Anne Glassberg

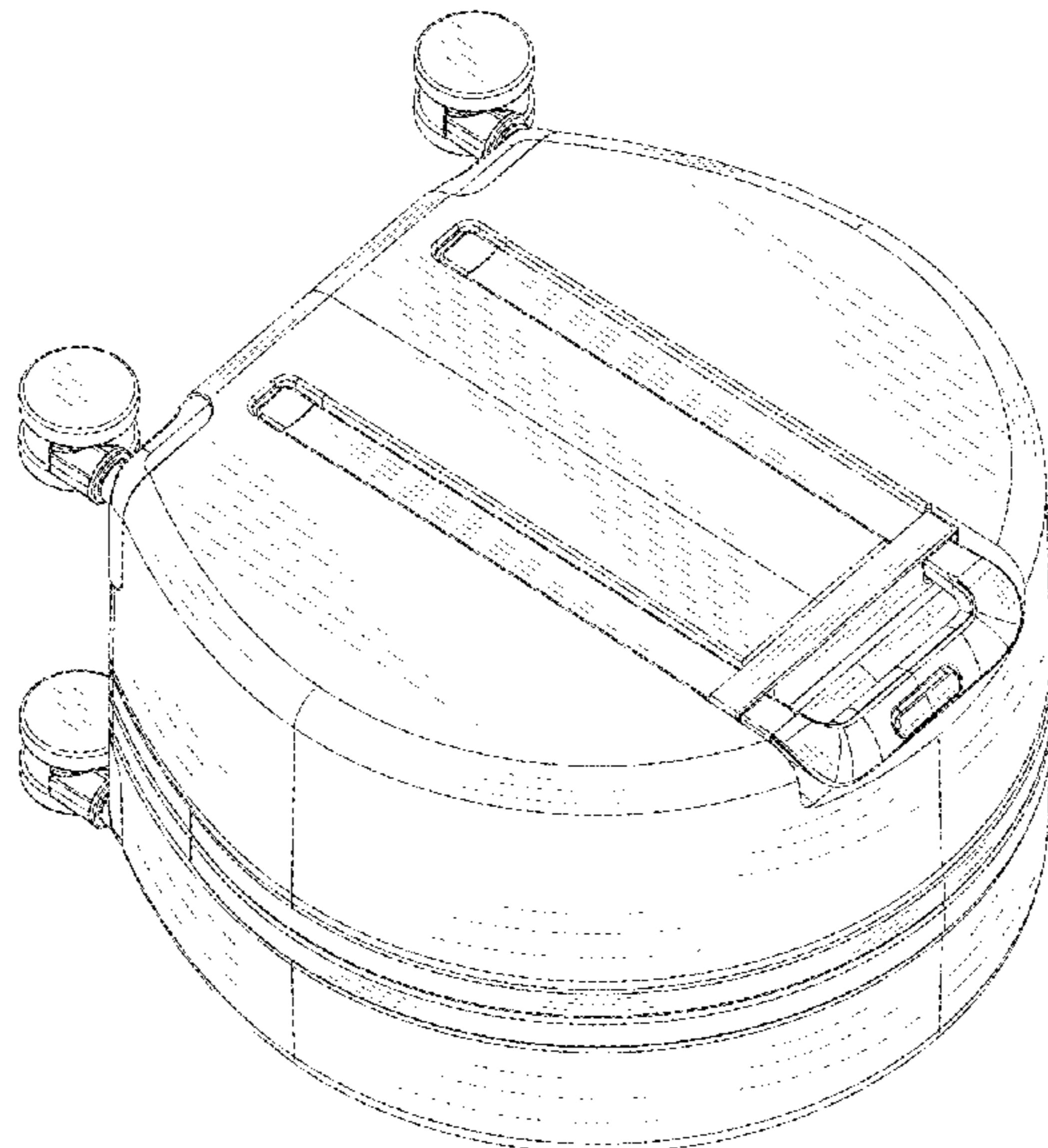
(57) **CLAIM**

The ornamental design for a portable cat travel carrier, as shown and described.

DESCRIPTION

FIG. 1 is a front and top perspective view of a portable cat travel carrier showing my new design;
FIG. 2 is a rear and bottom perspective view thereof;
FIG. 3 is a front elevation view thereof;
FIG. 4 is a rear elevation view thereof;
FIG. 5 is a left side elevation view thereof;
FIG. 6 is a right side elevation view thereof;
FIG. 7 is a top plan view thereof; and,
FIG. 8 is a bottom plan view thereof.

1 Claim, 8 Drawing Sheets



(56)

References Cited

OTHER PUBLICATIONS

N&P Honhan Transparent Capsule Pet Travel Bag, available in Amazon.com, date first available Nov. 25, 2020 [online], [site visited Feb. 11, 2022], Available from the internet URL: https://www.amazon.com/dp/B08P4TG6C3/ref=cm_sw_em_r_mt_dp_PSB3N2MNN4M6CW9DFCF2?th=1 (Year: 2020).*

VETRESKA Pet Carrier with Stickers and 2 Mats, available in Amazon.com, date first available Dec. 24, 2020 [online], [site visited Feb. 11, 2022], Available from the internet URL: https://www.amazon.com/dp/B08R8KN3LK/ref=cm_sw_em_r_mt_dp_AA835QE95WKYGPF6BC7P?th=1 (Year: 2020).*

* cited by examiner

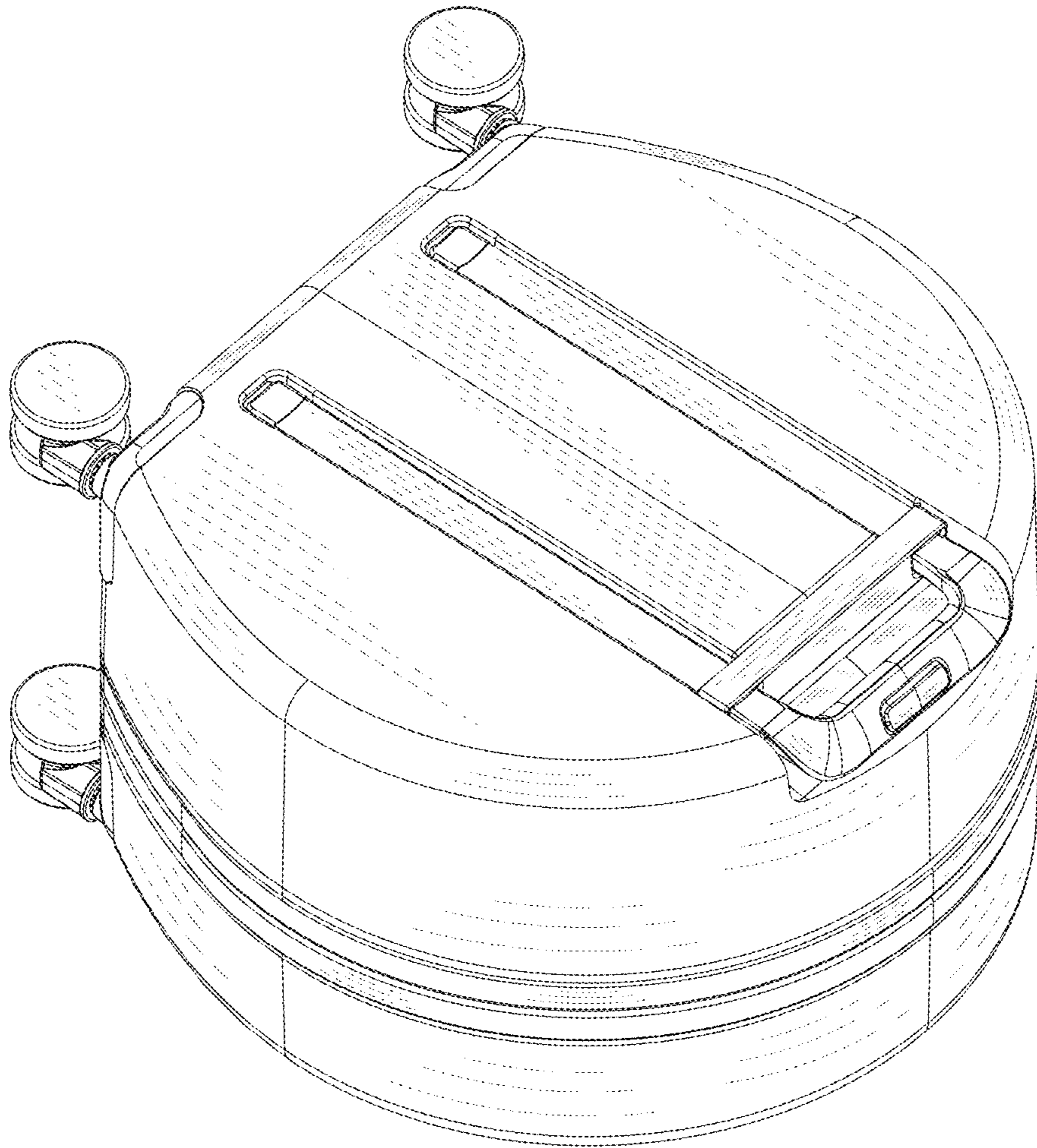


FIG.1

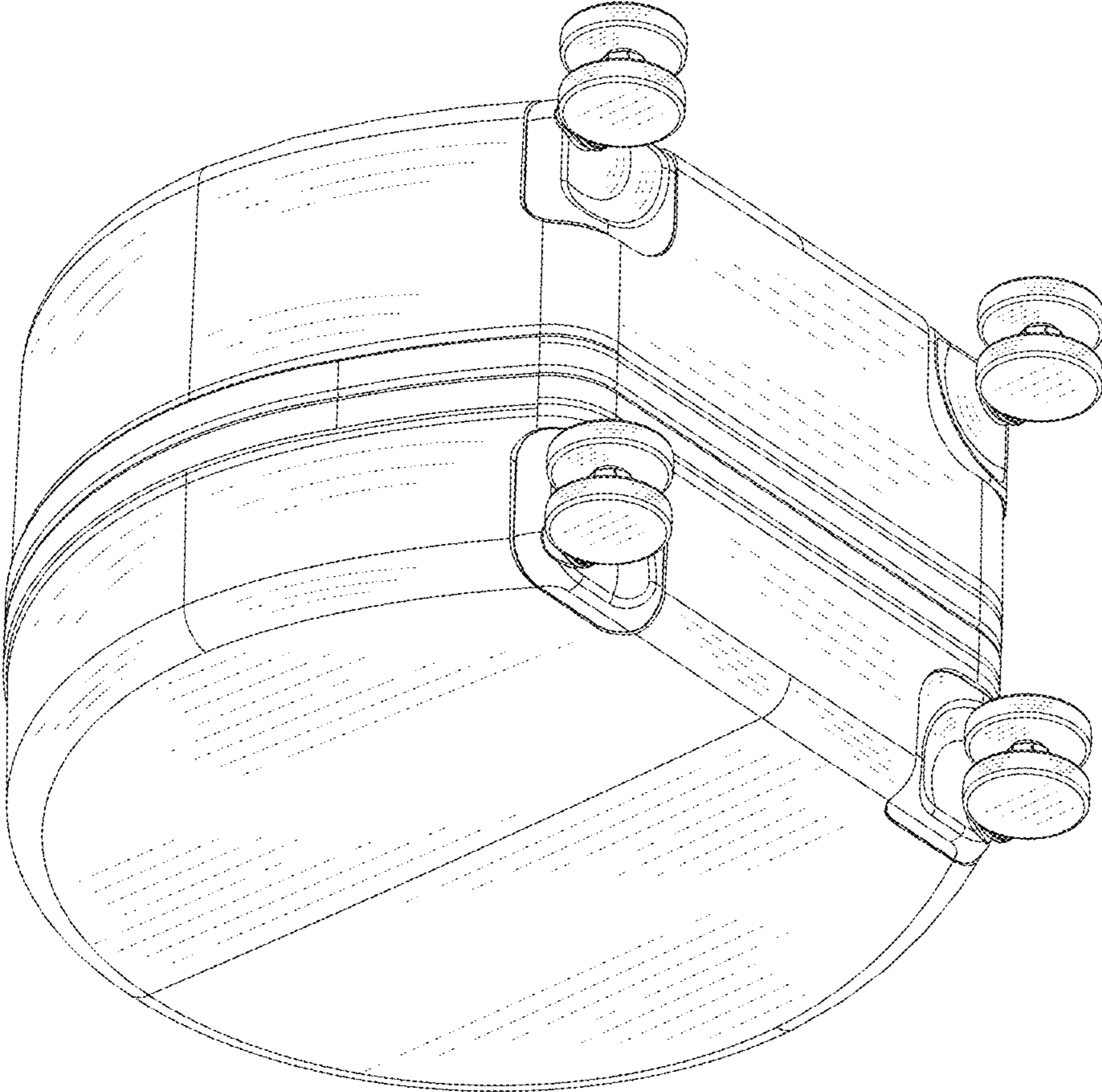


FIG.2

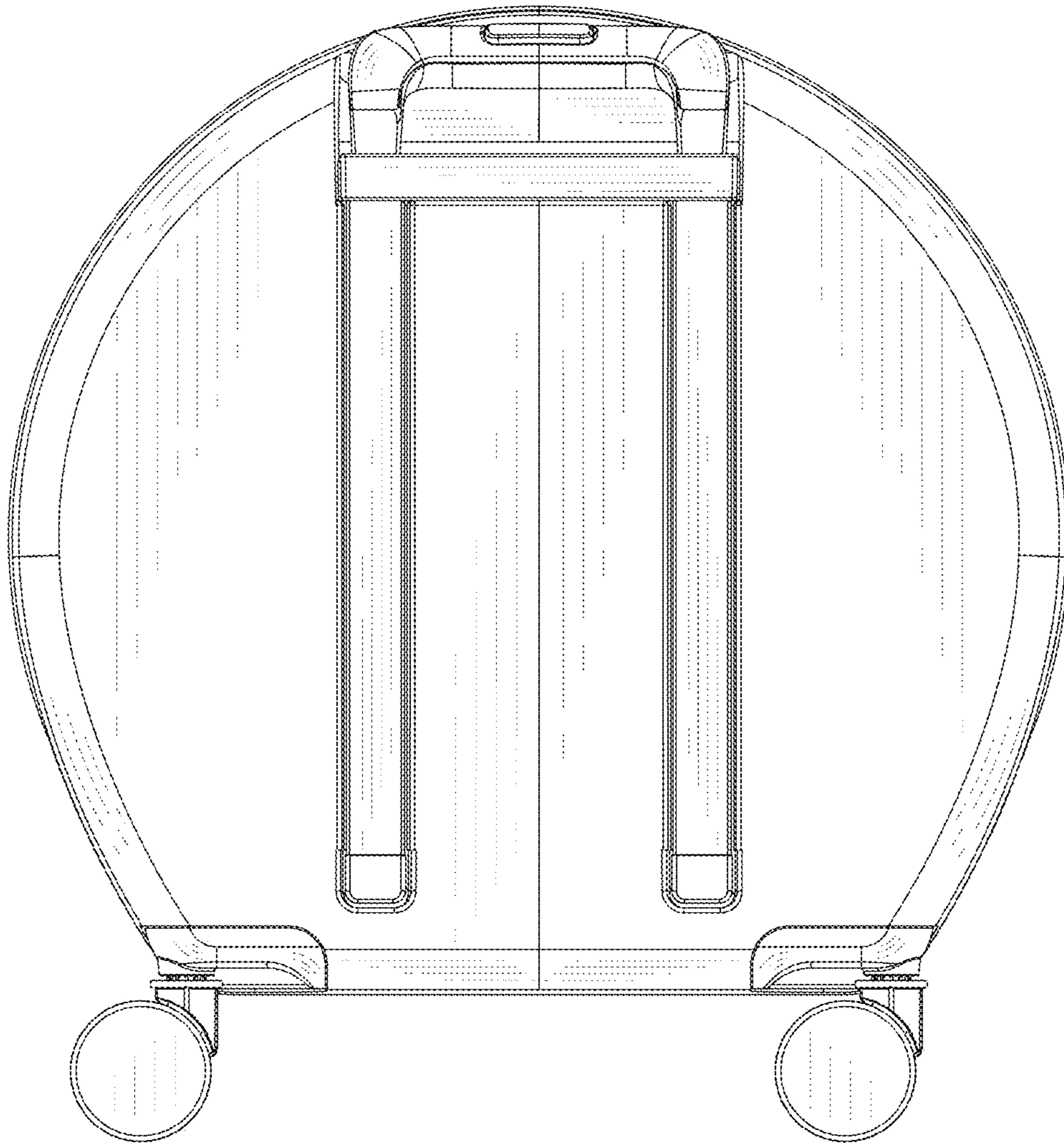


FIG.3

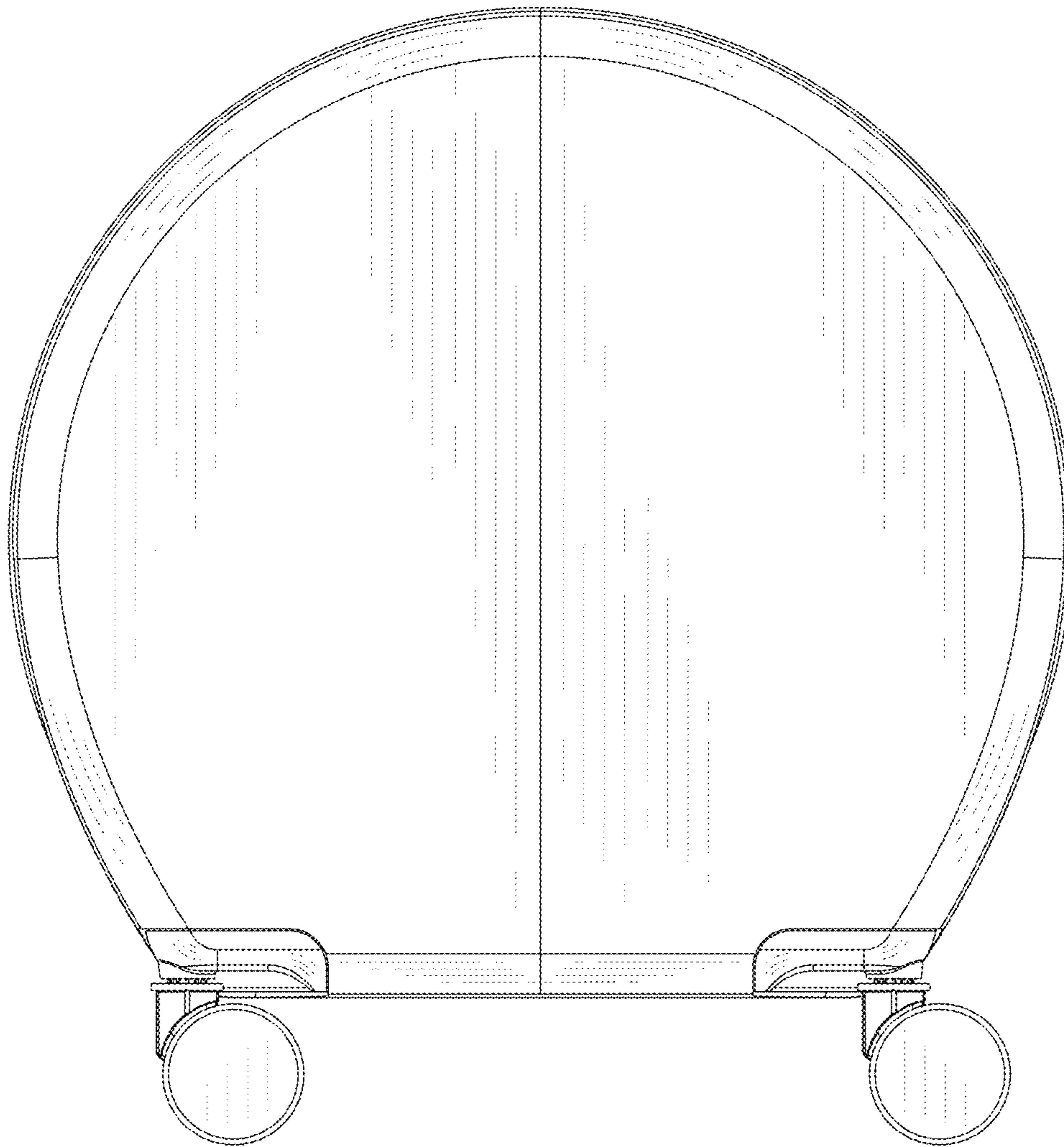


FIG.4

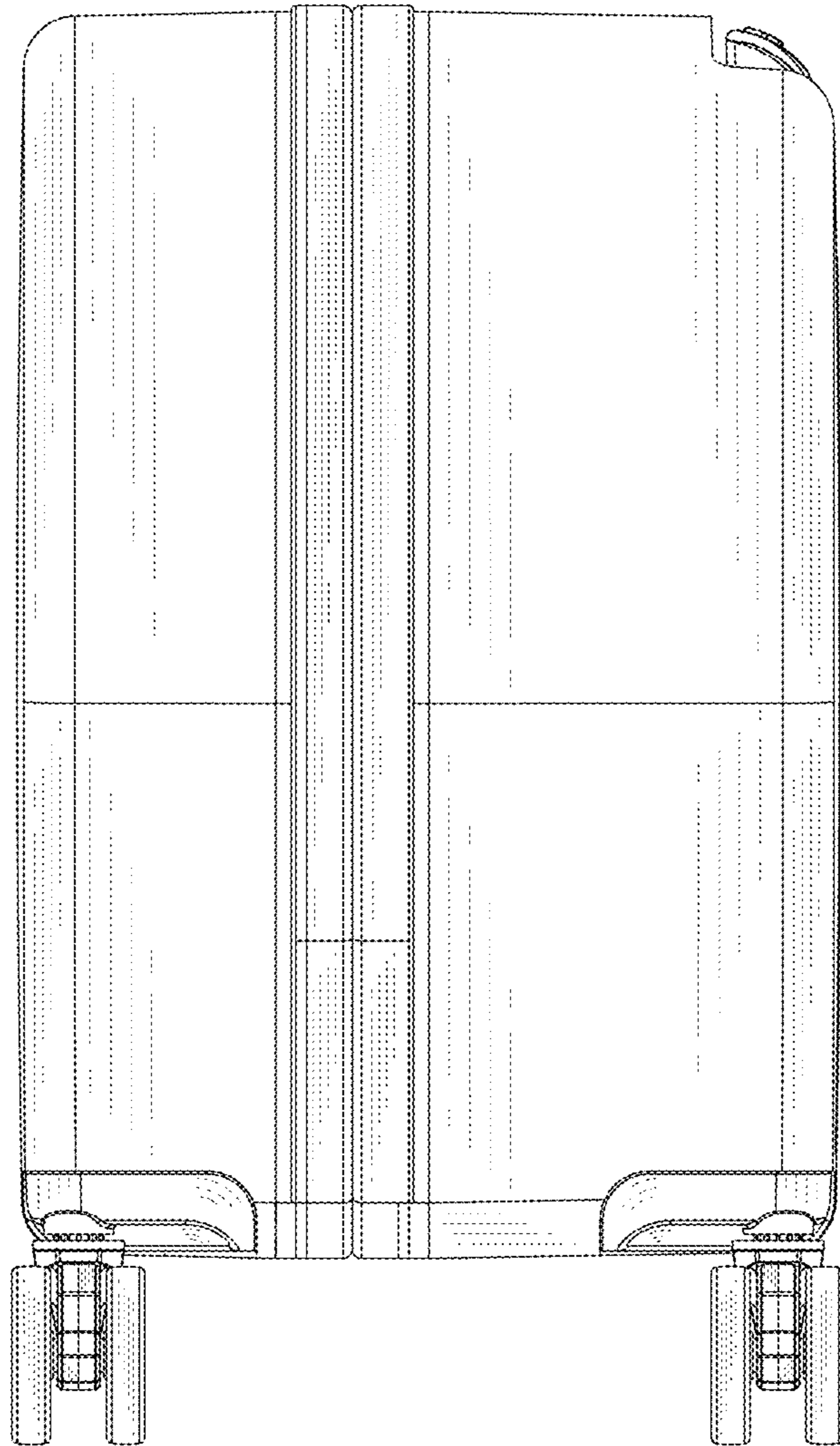


FIG.5

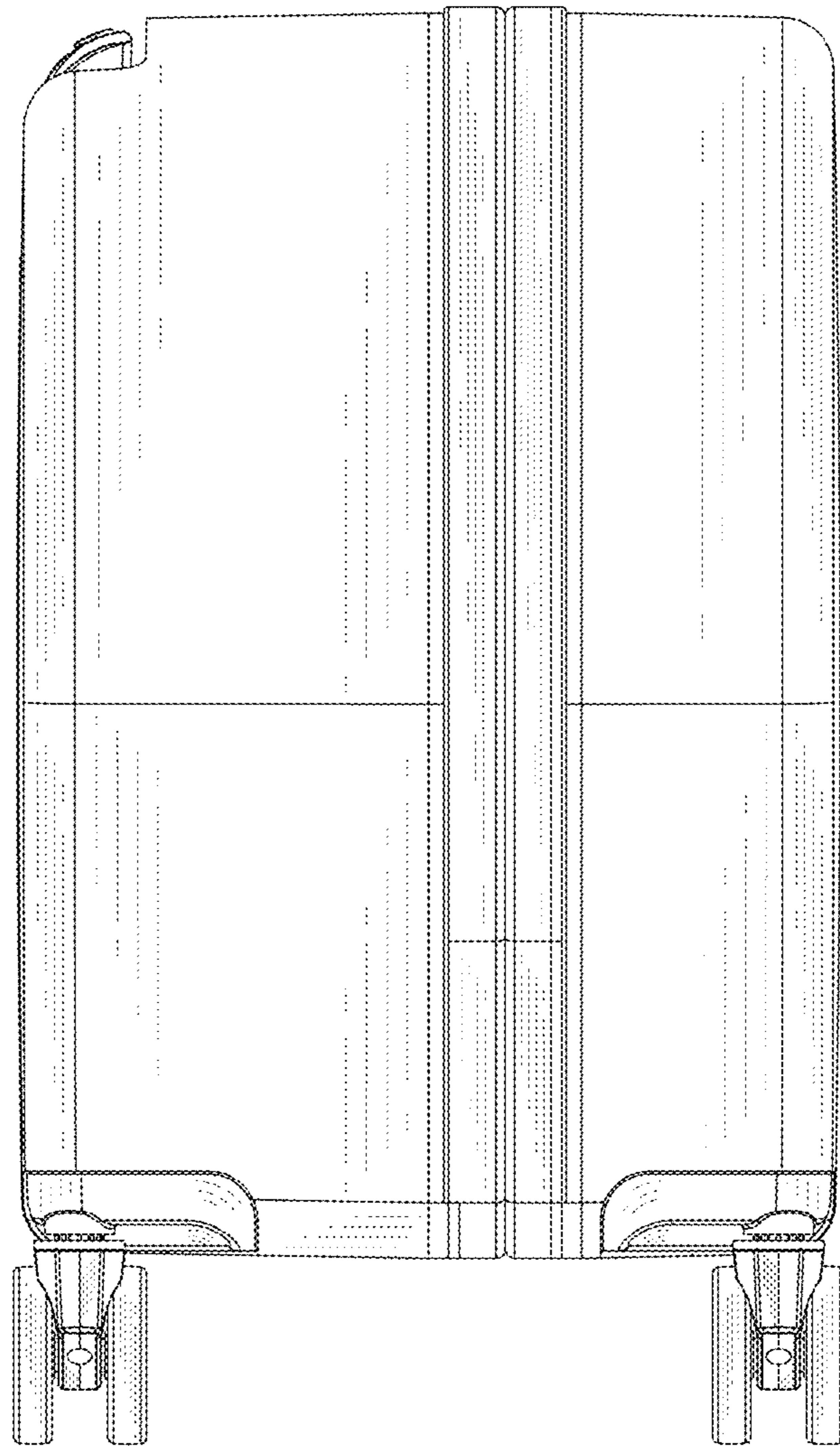


FIG.6

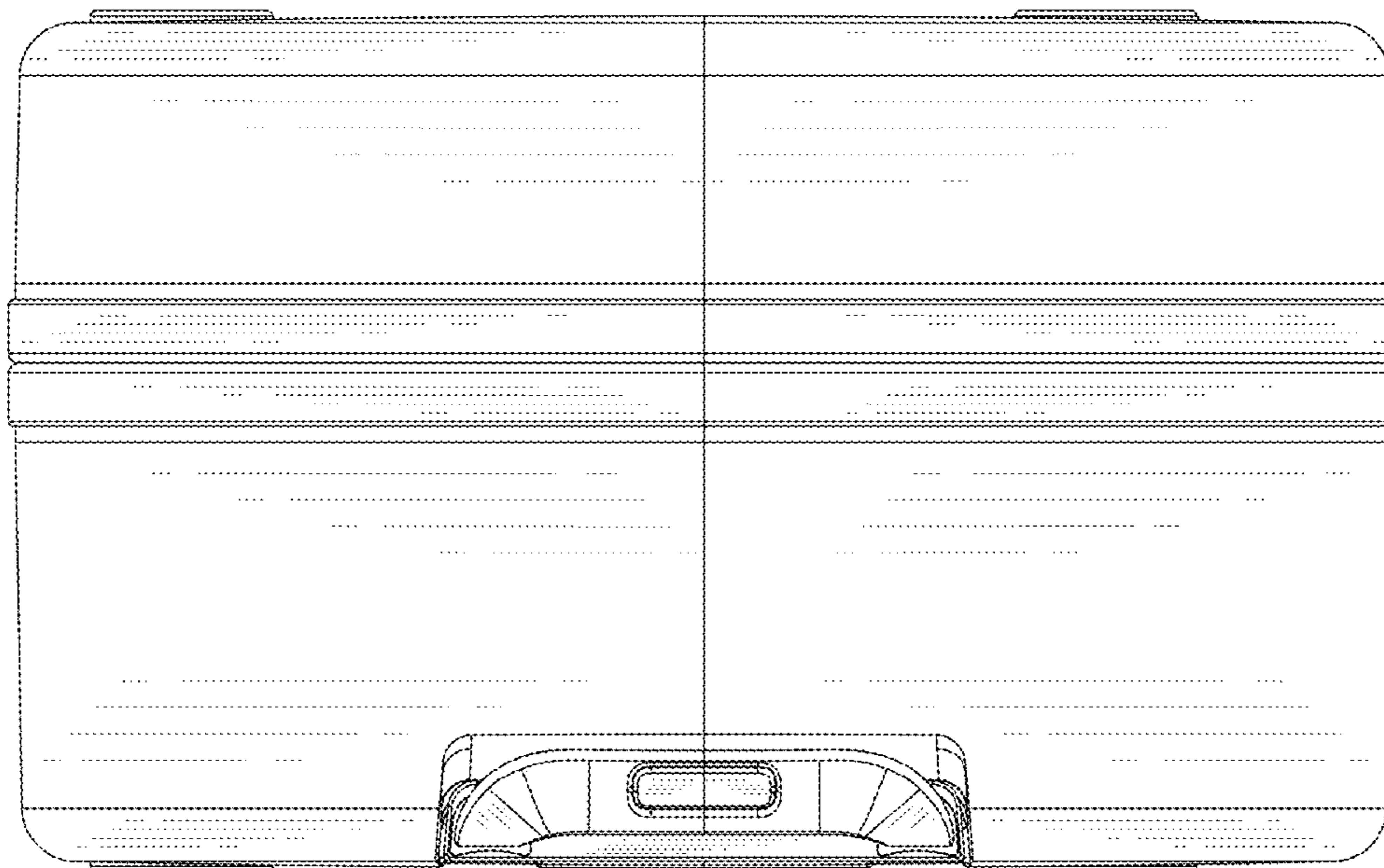


FIG. 7

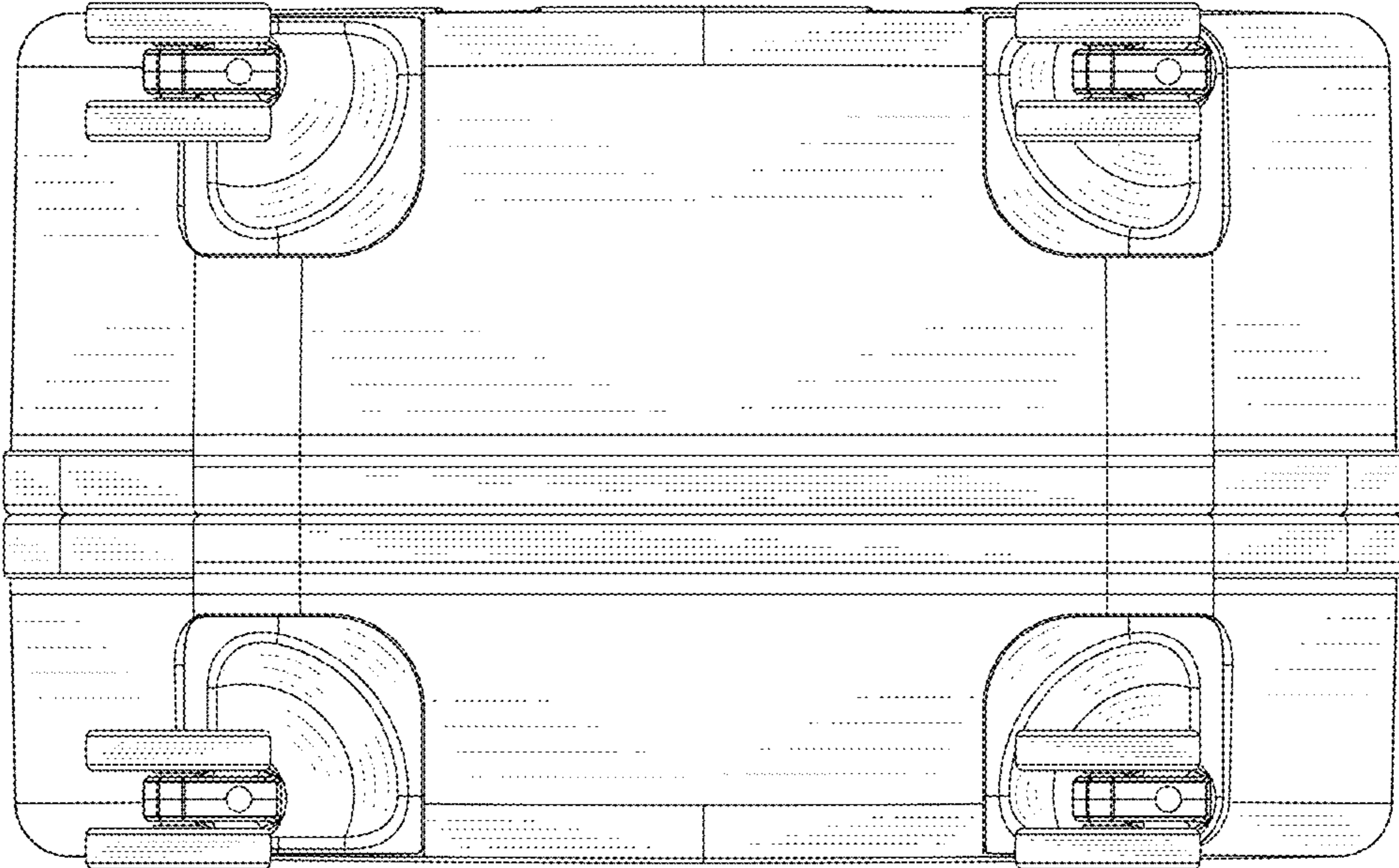


FIG. 8