



US00D956363S

(12) **United States Design Patent**  
**Hu et al.**

(10) **Patent No.:** **US D956,363 S**  
(45) **Date of Patent:** **\*\* Jun. 28, 2022**

(54) **EARMUFF**  
(71) Applicant: **NINGBO ALBERT NOVOSINO CO., LTD.**, Zhejiang (CN)  
(72) Inventors: **Haibo Hu**, Zhejiang (CN); **Yonggui Zhang**, Zhejiang (CN)  
(73) Assignee: **Ningbo Albert Novosino Co. Ltd.**, Ningbo (CN)

D239,787 S \* 5/1976 Lonstedt ..... D29/112  
4,572,323 A \* 2/1986 Randall ..... A61F 11/14  
381/372  
D375,584 S \* 11/1996 Westerdal ..... D29/112  
D385,665 S \* 10/1997 Westerdal ..... D29/112  
5,996,123 A \* 12/1999 Leight ..... A61F 11/14  
181/129  
D427,382 S \* 6/2000 Leight ..... D29/112  
D459,033 S \* 6/2002 Dix ..... D29/112  
D459,034 S \* 6/2002 Dix ..... D29/112  
D465,616 S \* 11/2002 Nilsson ..... A61F 11/14  
D29/112  
D544,650 S \* 6/2007 Westerdal ..... D29/112

(\*\*) Term: **15 Years**  
(21) Appl. No.: **29/759,161**

(22) Filed: **Nov. 20, 2020**

(30) **Foreign Application Priority Data**

Oct. 17, 2020 (CN) ..... 202030618607.2

(51) **LOC (13) Cl.** ..... **29-02**

(52) **U.S. Cl.**  
USPC ..... **D29/112**

(58) **Field of Classification Search**  
USPC ..... D29/100, 102, 105, 106, 108, 112, 122;  
D14/205, 223; D2/870, 878, 891  
CPC ..... A42B 3/16; A42B 3/163; A42B 3/166;  
A61F 11/06; A61F 11/08; A61F 11/10;  
A61F 11/12; A61F 11/14; A61F  
2011/085; H04R 1/10; H04R 1/1008;  
H04R 1/1016; H04R 1/105; H04R  
1/1058; H04R 1/1066; H04R 1/1075;  
H04R 1/1083; H04R 5/0335; H04R  
25/652; H04R 25/654; H04R 25/656;  
A63B 71/10  
See application file for complete search history.

(56) **References Cited**

**U.S. PATENT DOCUMENTS**

2,981,958 A \* 5/1961 Wadsworth ..... A61F 11/14  
D29/112  
3,051,961 A \* 9/1962 Clark ..... A61F 11/14  
181/129

**OTHER PUBLICATIONS**

Alpine Hearing Protection Muffy Baby Hearing Protective Ear Muffs (Black/White), [https://www.bhphotovideo.com/c/product/1607806-REG/alpine\\_hearing\\_protection\\_111\\_82\\_333\\_muffy\\_baby\\_black\\_protective.html](https://www.bhphotovideo.com/c/product/1607806-REG/alpine_hearing_protection_111_82_333_muffy_baby_black_protective.html), 2022. (Year: 2022).\*

(Continued)

*Primary Examiner* — Elizabeth J Oswecki

(57) **CLAIM**

The ornamental design for an earmuff, as shown and described.

**DESCRIPTION**

FIG. 1 is a perspective view of an earmuff showing our new design;

FIG. 2 is a front view thereof;

FIG. 3 is a back view thereof;

FIG. 4 is a left view thereof;

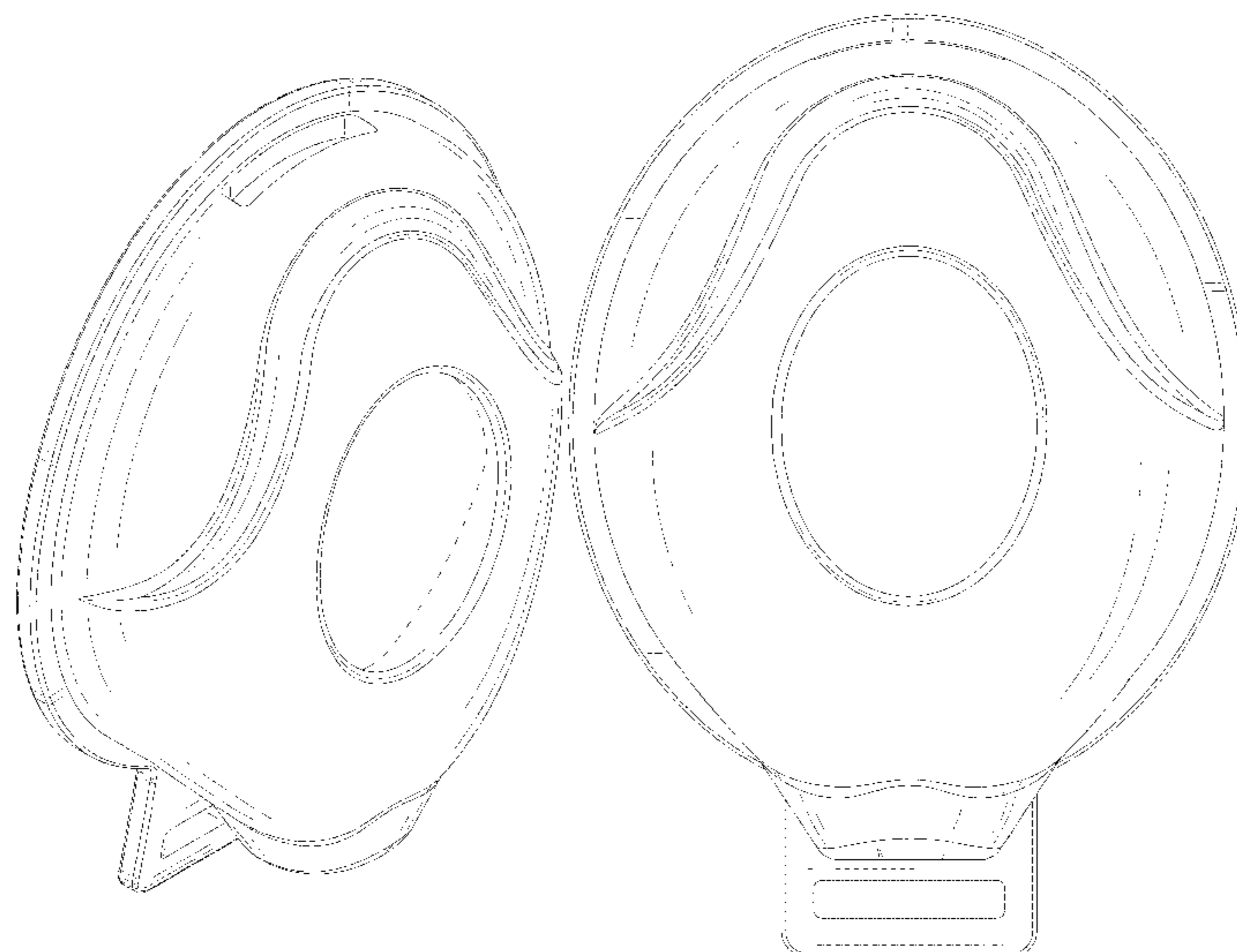
FIG. 5 is a right view thereof;

FIG. 6 is a top view thereof; and,

FIG. 7 is a bottom view thereof.

The broken lines shown on the drawings depict portions of the earmuff that form no part of the claimed design.

**1 Claim, 7 Drawing Sheets**



(56)

References Cited

U.S. PATENT DOCUMENTS

7,335,222 B1 \* 2/2008 Tyler ..... A61F 11/06  
607/108  
D584,715 S \* 1/2009 Brennwald ..... D14/205  
D668,392 S \* 10/2012 Carlborg ..... A61F 11/14  
D29/112  
D683,716 S \* 6/2013 Hansson ..... D14/205  
D684,558 S \* 6/2013 Hansson ..... D14/205  
D735,419 S \* 7/2015 Rose ..... D29/112  
D737,799 S \* 9/2015 Carr ..... D14/205  
D747,557 S \* 1/2016 Bonney ..... D29/112  
D753,884 S \* 4/2016 Bonney ..... D29/112  
D764,717 S \* 8/2016 Fletcher ..... D29/112  
D766,520 S \* 9/2016 Fletcher ..... D29/112  
D789,615 S \* 6/2017 Pratley ..... D29/112  
D794,603 S \* 8/2017 Riggs ..... D14/205  
D802,556 S \* 11/2017 Galler ..... D14/205  
D807,584 S \* 1/2018 Fletcher ..... D29/112  
D813,837 S \* 3/2018 Paterson ..... D14/205  
D815,615 S \* 4/2018 Wernblad ..... D14/205  
D913,598 S \* 3/2021 Jesper ..... D29/112  
D913,995 S \* 3/2021 Zhu ..... D14/223

D942,089 S \* 1/2022 Jenkins ..... D29/112  
D943,548 S \* 2/2022 Wang ..... D14/205  
D945,981 S \* 3/2022 Rois ..... D14/205  
2003/0037366 A1 \* 2/2003 Lindgren ..... A61F 11/14  
2/209  
2007/0157365 A1 \* 7/2007 Hansson ..... A61F 11/14  
2/171  
2008/0075314 A1 \* 3/2008 Chang ..... H04R 1/10  
381/374  
2018/0316999 A1 \* 11/2018 Bellas ..... H04R 1/1008

OTHER PUBLICATIONS

3M Artillery Earmuff 4240-00-NSH-0021 (H7B GN) Neckband Style (NRR 26), <https://www.earplugstore.com/3m-artillery-earmuffs-370-h7b.html>, 2022. (Year: 2022).\*

Safety CE Ear muffin working place combine with industrial helmet, [https://www.alibaba.com/product-detail/Safety-CE-Ear-muff-in-working\\_60021226591.html](https://www.alibaba.com/product-detail/Safety-CE-Ear-muff-in-working_60021226591.html), 2022. (Year: 2022).\*

HearMuffs Wireless, Lucid, <https://lucidaudio.com/product/hearmuffs-wireless/>, copyright 2022. (Year: 2022).\*

\* cited by examiner

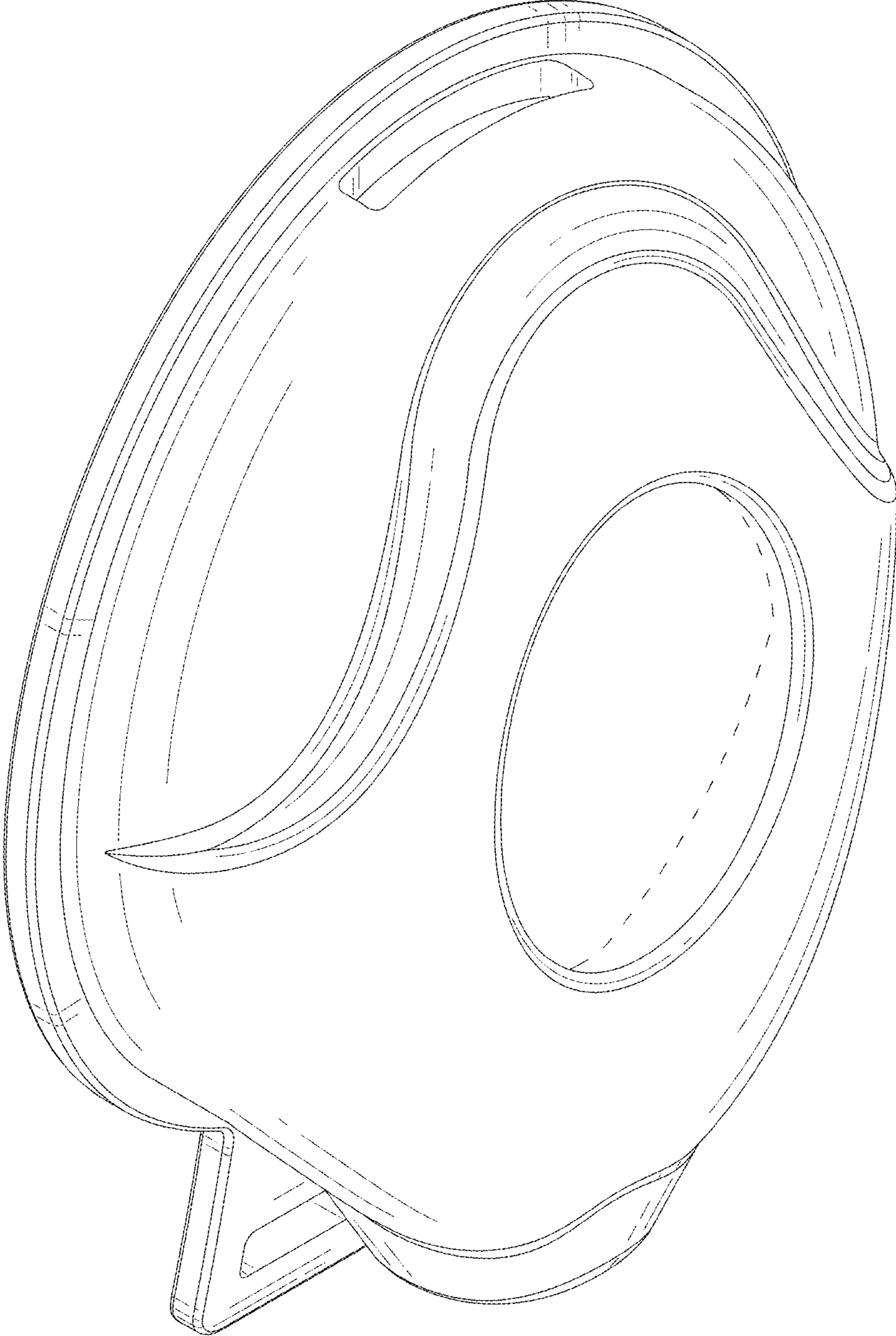


FIG. 1

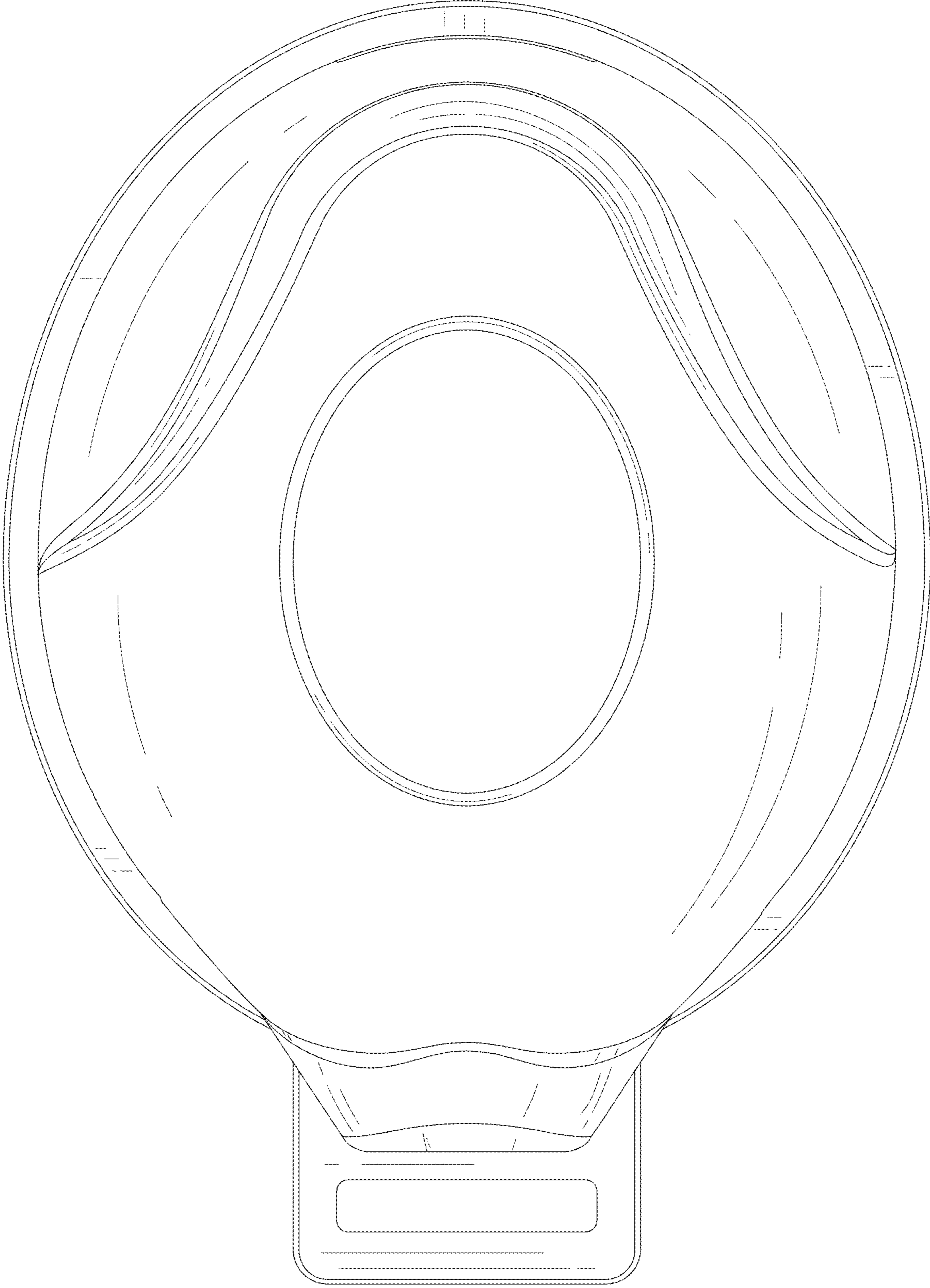


FIG. 2

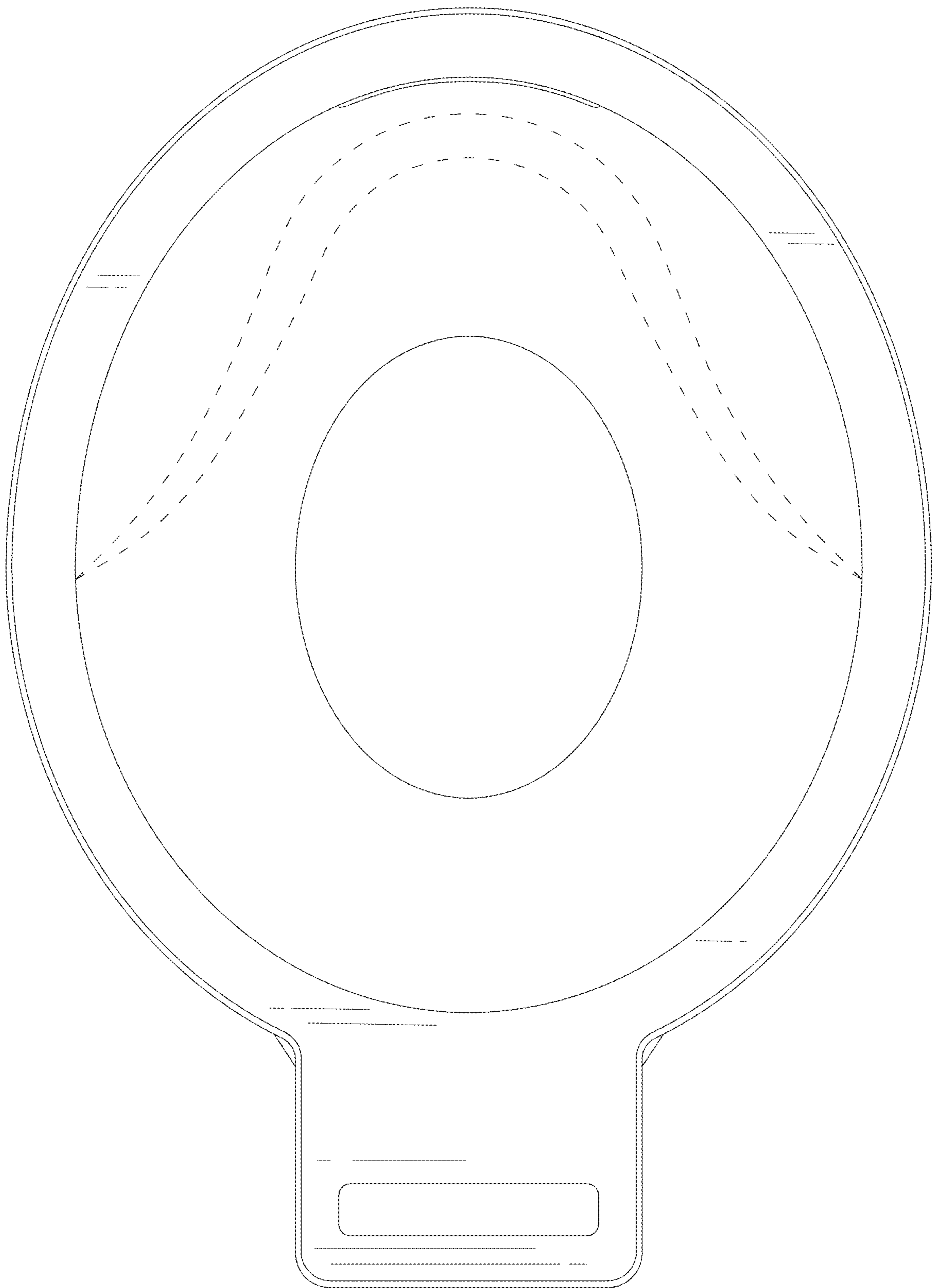


FIG. 3

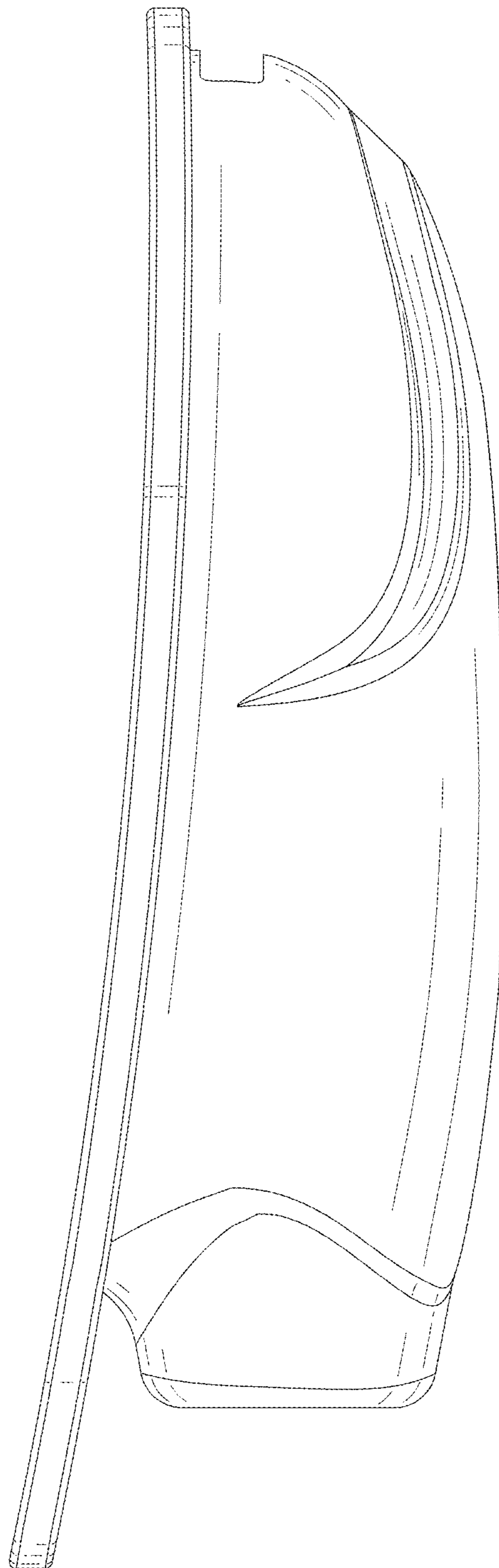


FIG. 4

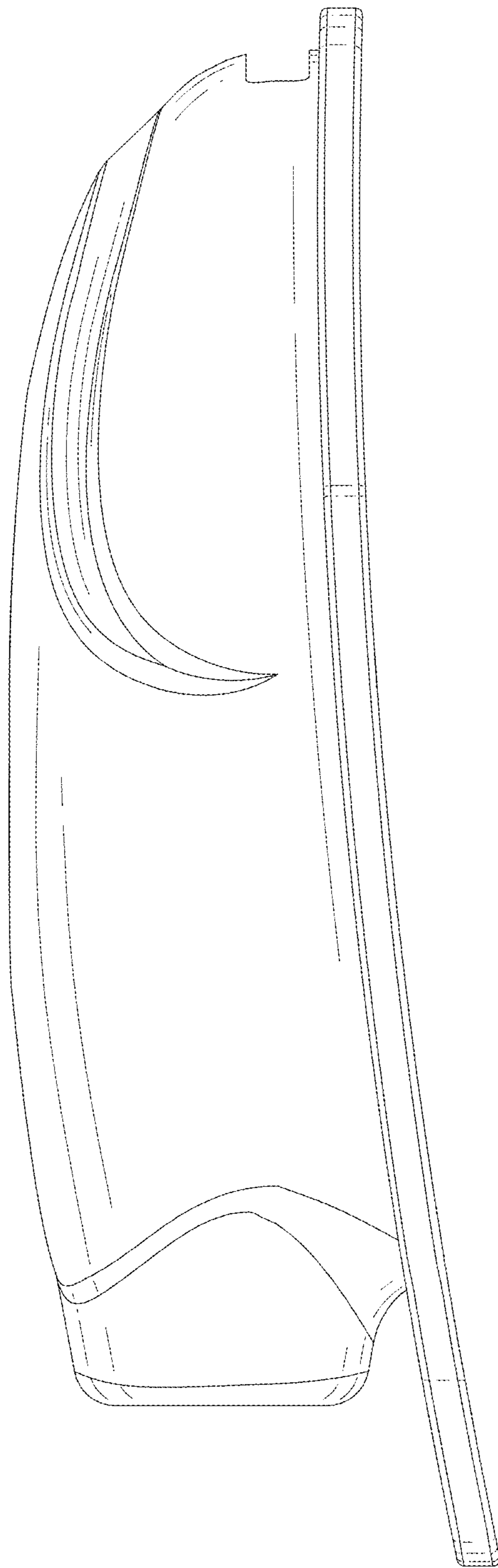


FIG. 5

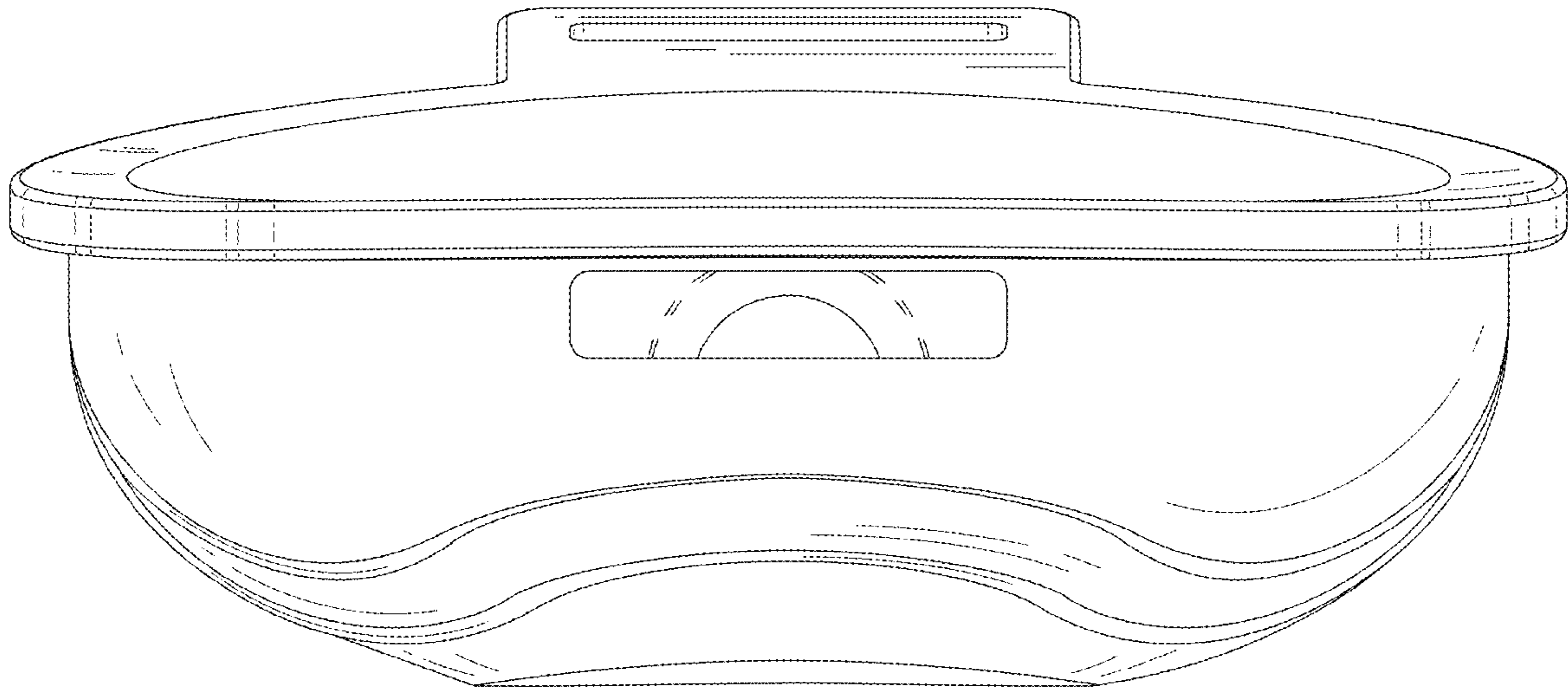


FIG. 6



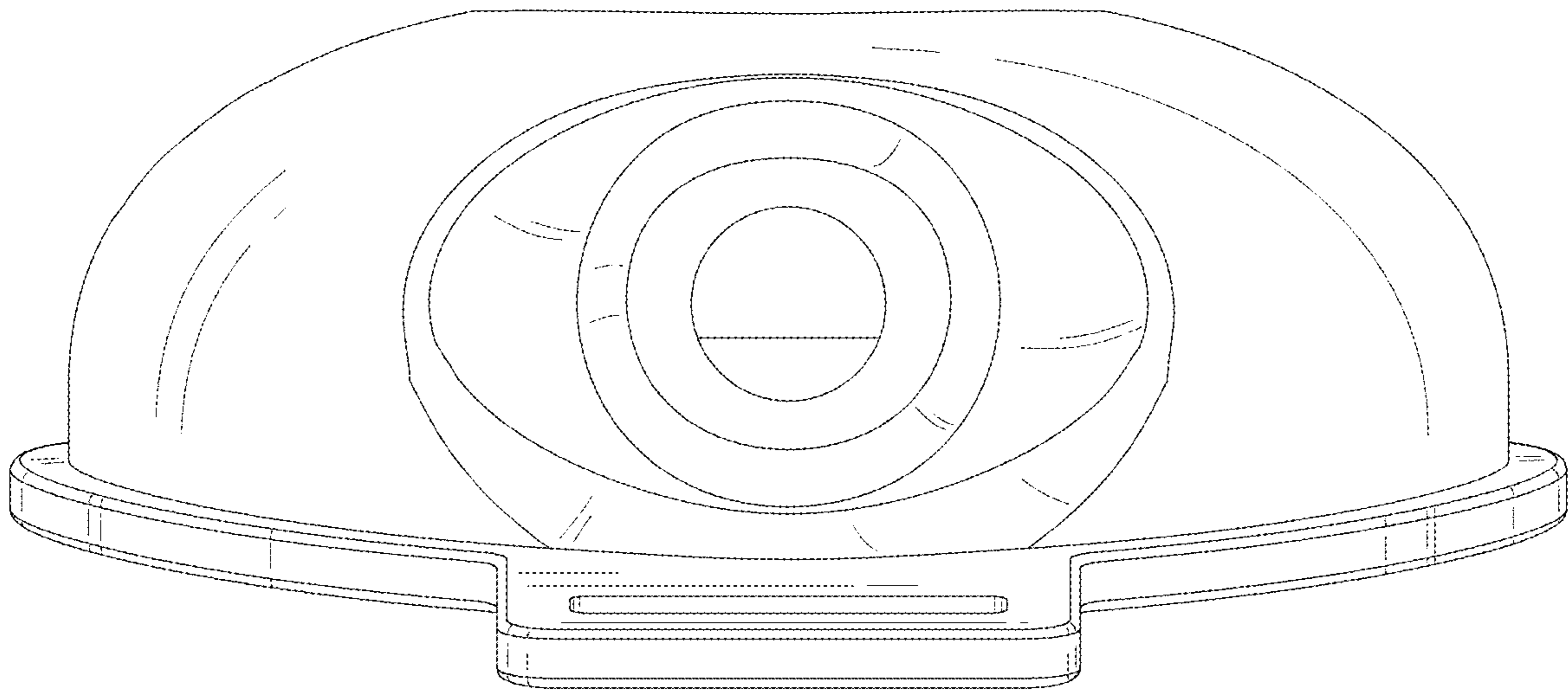


FIG. 7