



US00D956356S

(12) **United States Design Patent**
Blansit

(10) **Patent No.: US D956,356 S**
(45) **Date of Patent: ** Jun. 28, 2022**

(54) **COSMETIC BRUSH CLEARING PAD IN COMBINATION WITH A TUBE HOLDER**

- (71) Applicant: **Amy C. Blansit**, Springfield, MO (US)
- (72) Inventor: **Amy C. Blansit**, Springfield, MO (US)
- (**) Term: **15 Years**
- (21) Appl. No.: **29/718,271**
- (22) Filed: **Dec. 23, 2019**

Related U.S. Application Data

- (63) Continuation-in-part of application No. 15/905,004, filed on Feb. 26, 2018, now abandoned, which is a continuation-in-part of application No. 14/756,557, filed on Sep. 16, 2015, now abandoned.

- (51) **LOC (13) Cl.** **28-03**
- (52) **U.S. Cl.**
USPC **D28/77; D32/42**

- (58) **Field of Classification Search**
USPC D9/503-505, 721, 718; D28/77; D32/1, D32/35, 42
CPC A46B 17/00-065; A46B 2200/1046; A45D 33/26
See application file for complete search history.

(56) **References Cited**

U.S. PATENT DOCUMENTS

1,669,735 A	5/1928	Bergstrom	2/48
1,820,259 A	8/1931	Wandel	15/209.1
2,841,811 A	7/1958	Carroll	15/244.1
4,144,612 A	3/1979	Yamaguchi	15/208
4,165,815 A	8/1979	Vetter	220/4
4,202,139 A	5/1980	Hong	B24D 15/045
4,459,987 A	7/1984	Pangburn	B24D 15/04
4,572,222 A	2/1986	Pangburn	B24D 15/04

(Continued)

FOREIGN PATENT DOCUMENTS

DE	0620128	10/1998	B44D 3/02
GB	2447663	9/2008	B44D 3/02

OTHER PUBLICATIONS

Solely Jolie Pur Palette, www.facebook.com, 1 page, uploaded Feb. 2019 (Year: 2019) (Video performed by inventor Amy Blansit).*
(Continued)

Primary Examiner — Jennifer Rivard

(74) *Attorney, Agent, or Firm* — Jonathan A. Bay

(57) **CLAIM**

The ornamental design for a cosmetic brush clearing pad in combination with a tube holder, as shown and described.

DESCRIPTION

FIG. 1 is a perspective view of a cosmetic brush clearing pad in combination with a tube holder showing my new design, wherein the cosmetic brush clearing pad is hidden from view;

FIG. 2 is an elevational view comparable of FIG. 1, wherein the views from all 360° around are mirror image;

FIG. 3 is a top plan view of FIG. 1;

FIG. 4 is an additional perspective view with the closure removed from the holder of the tube holder and with the cosmetic brush clearing pad shown inside the holder base rolled up in a coil;

FIG. 5 is a front elevational view of FIG. 4;

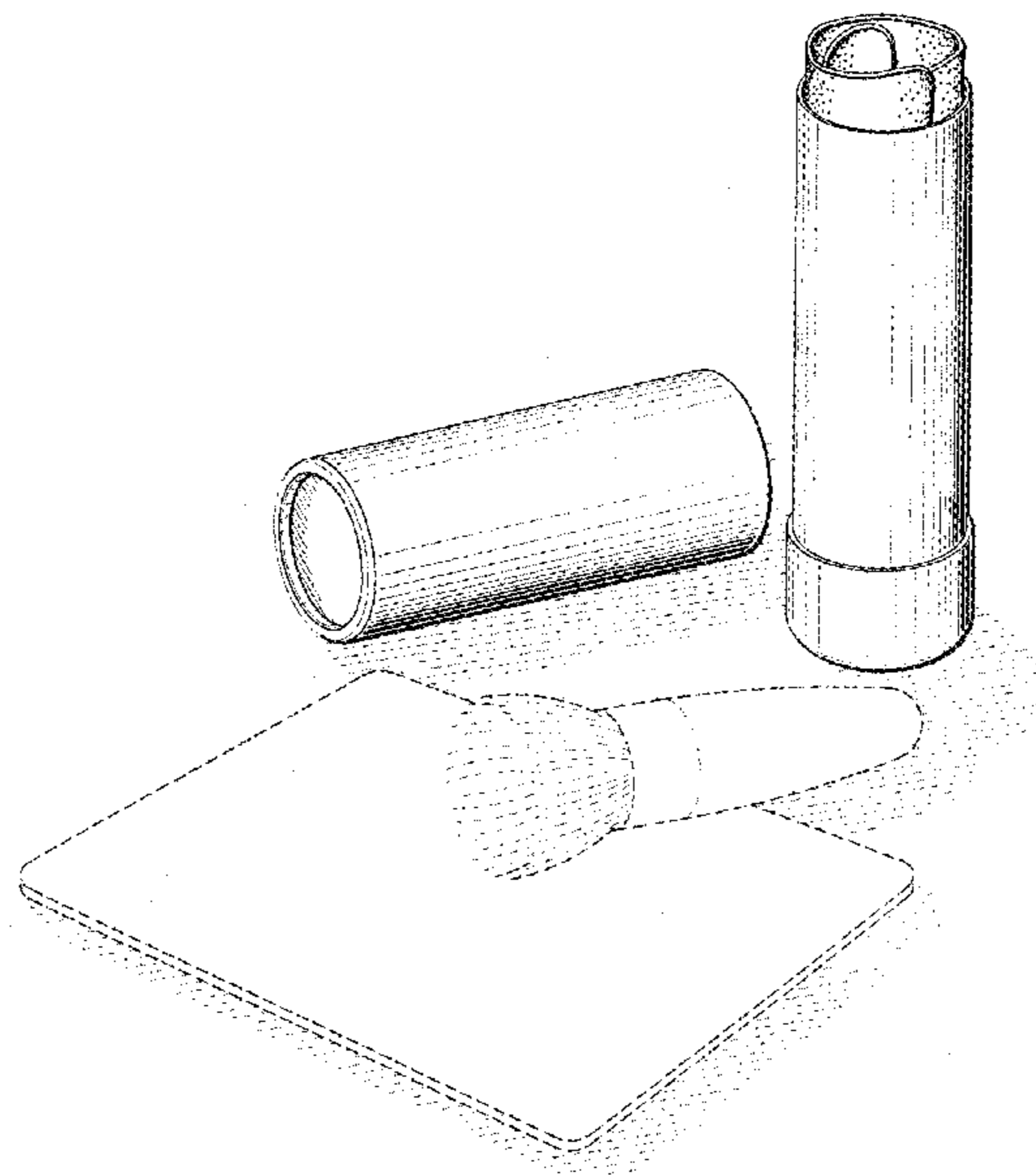
FIG. 6 is a right side elevational view of FIG. 4;

FIG. 7 is a left side elevational view of FIG. 4; and,

FIG. 8 is a rear elevational view of FIG. 4.

The broken lines in the drawing represent environmental subject matter that forms no part of the claimed design. In FIG. 4, the environmental broken line disclosure of the brush and additional pad form no part of the claimed design.

1 Claim, 7 Drawing Sheets



(56)

References Cited

U.S. PATENT DOCUMENTS

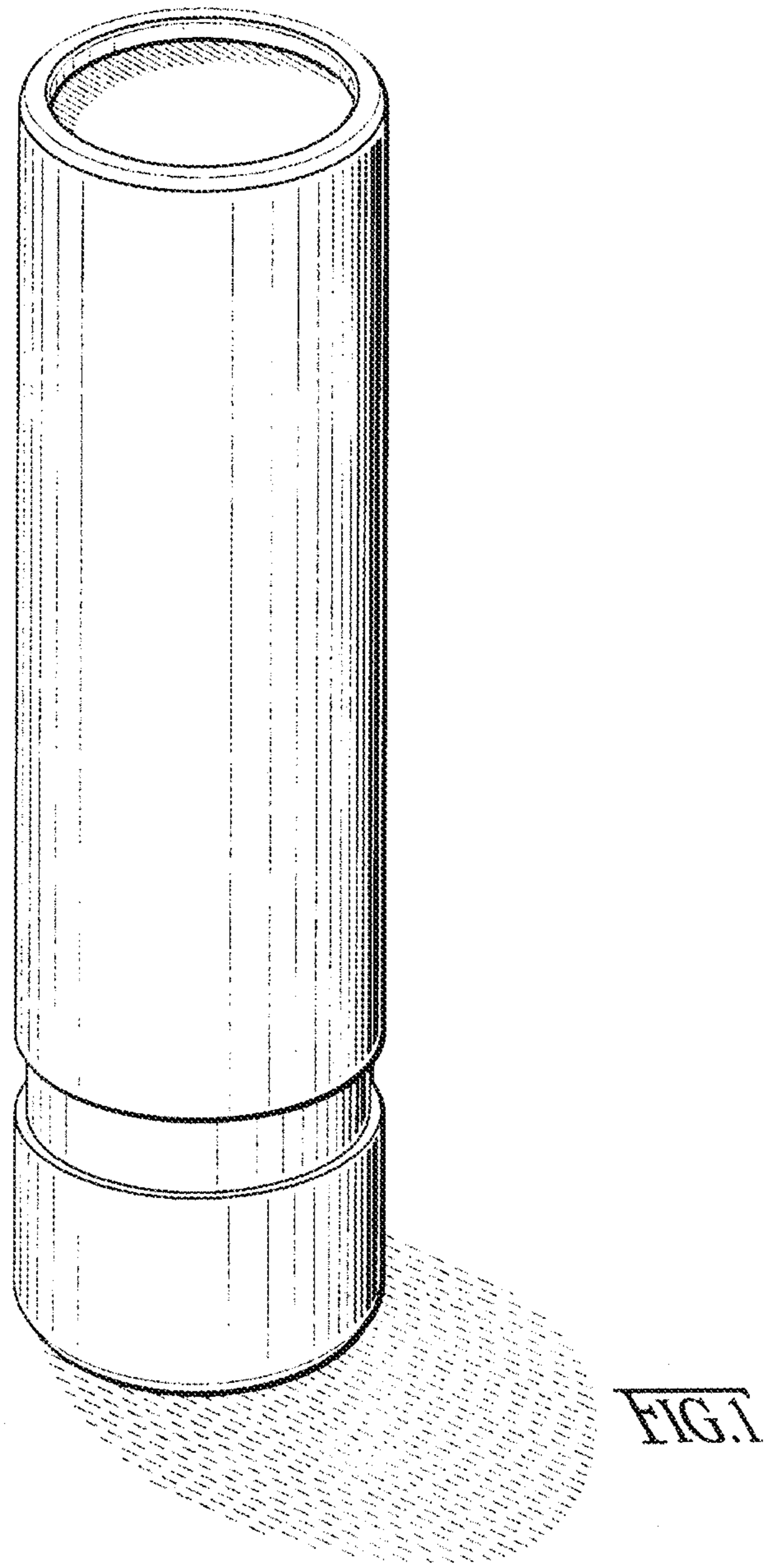
4,712,552 A 12/1987 Pangburn B24D 15/04
 5,122,195 A * 6/1992 Hoffman A46B 17/06
 134/38
 5,152,809 A 10/1992 Mattesky A47L 17/08
 6,318,380 B1 * 11/2001 Hwang A45D 33/02
 132/298
 6,895,628 B1 * 5/2005 Anderson A45D 40/12
 132/313
 7,086,112 B2 8/2006 Smith et al. 15/38
 7,296,319 B2 11/2007 Brackett et al. 15/38
 7,938,717 B2 5/2011 Stuhlmacher B24D 15/04
 7,963,827 B2 6/2011 Sankaranarayanan
 B24D 3/002
 8,671,499 B2 3/2014 Lim et al. 15/184
 9,015,895 B2 4/2015 Filho A47L 13/18
 9,345,379 B2 5/2016 Filho A47L 13/18
 D786,563 S 5/2017 Triato D4/104
 9,700,132 B2 * 7/2017 Webster A46B 17/06
 9,814,303 B1 * 11/2017 Waitesmith A47L 25/00
 10,017,321 B2 * 7/2018 Empey B65B 7/28
 D826,230 S 8/2018 Peterson et al. D14/411
 D839,522 S 1/2019 Lee D32/35
 D902,723 S * 11/2020 Shiota D9/504
 D906,117 S * 12/2020 Shiota D9/504
 11,006,743 B2 * 5/2021 Guerrero A46B 17/06
 11,109,669 B2 * 9/2021 Huang A46B 17/06
 2005/0000849 A1 * 1/2005 Shih A45D 40/20
 206/581
 2009/0194553 A1 * 8/2009 Hoefing A47K 10/3827
 221/45
 2010/0132734 A1 6/2010 Mills A45D 40/24

2010/0199450 A1 8/2010 Linzell A47L 13/17
 2011/0067718 A1 3/2011 Lee 132/200
 2012/0255572 A1 10/2012 Dan 132/200
 2013/0205525 A1 8/2013 Malloy 15/118
 2013/0266753 A1 10/2013 Lim 428/41.3
 2013/0312784 A1 * 11/2013 Greiner A46B 15/0093
 132/317
 2014/0000052 A1 1/2014 Filho et al. 15/227
 2014/0332642 A1 * 11/2014 Lim A46B 17/04
 248/111
 2015/0143652 A1 * 5/2015 Walker A46B 9/021
 15/160
 2019/0387933 A1 * 12/2019 Clayman A47K 10/422
 2021/0261298 A1 * 8/2021 Manderfield B65D 1/44

OTHER PUBLICATIONS

www.qosmedix.com/pages/product/175/503316/Rectangular-Mixing-Palette-with-Mirror-Finish.aspx Accessed online on Mar. 30, 2016.
<http://glamcor.com/hygenic-makeup-hand-palette.html> Accessed online on Sep. 15, 2014.
<http://store.makeupart.net/stainless-steel-pro-palette-p709.aspx> Accessed online on Mar. 30, 2016.
<http://store.makeupart.net/stainless-steel-ringlet-finger-palette-p711.aspx> Accessed online on Mar. 30, 2016.
<http://www.beautylish.com/a/vcqvq/metal-mixing-palette> Accessed online on Mar. 30, 2016.
www.dablot.com Accessed online on Mar. 30, 2016.
<http://www.sephora.com/precision-pore-cleansing-pad-P262041> Accessed online on Mar. 30, 2016.
<http://www.artisbrush.com/cleaning-system-product/premier-brush-cleaning-pad> Accessed online on Apr. 1, 2016.

* cited by examiner



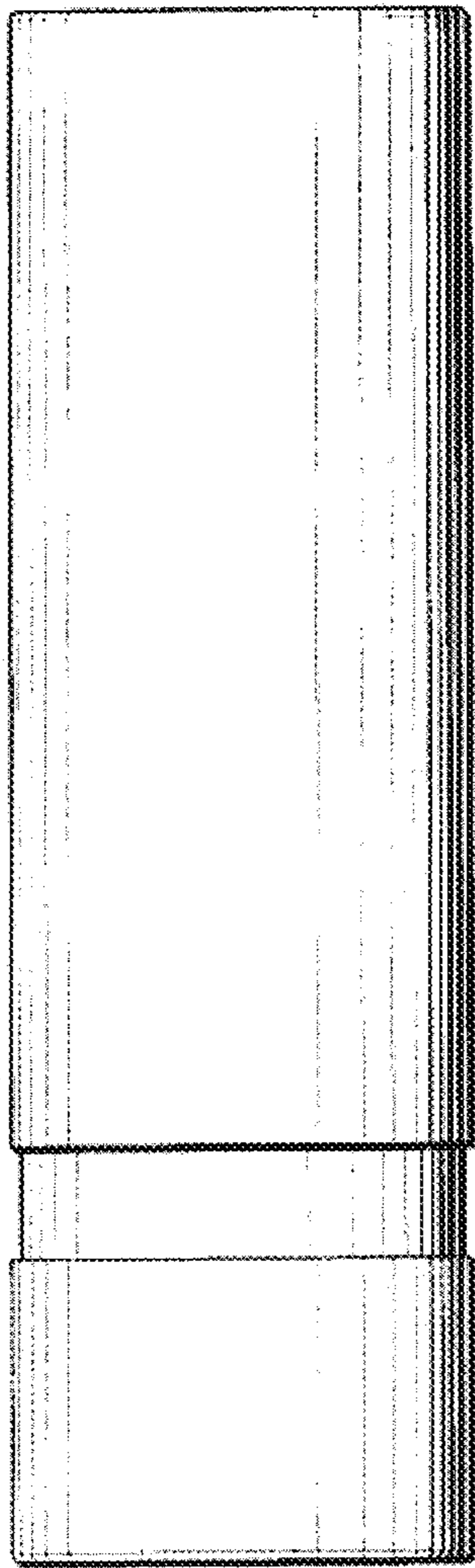


FIG. 2

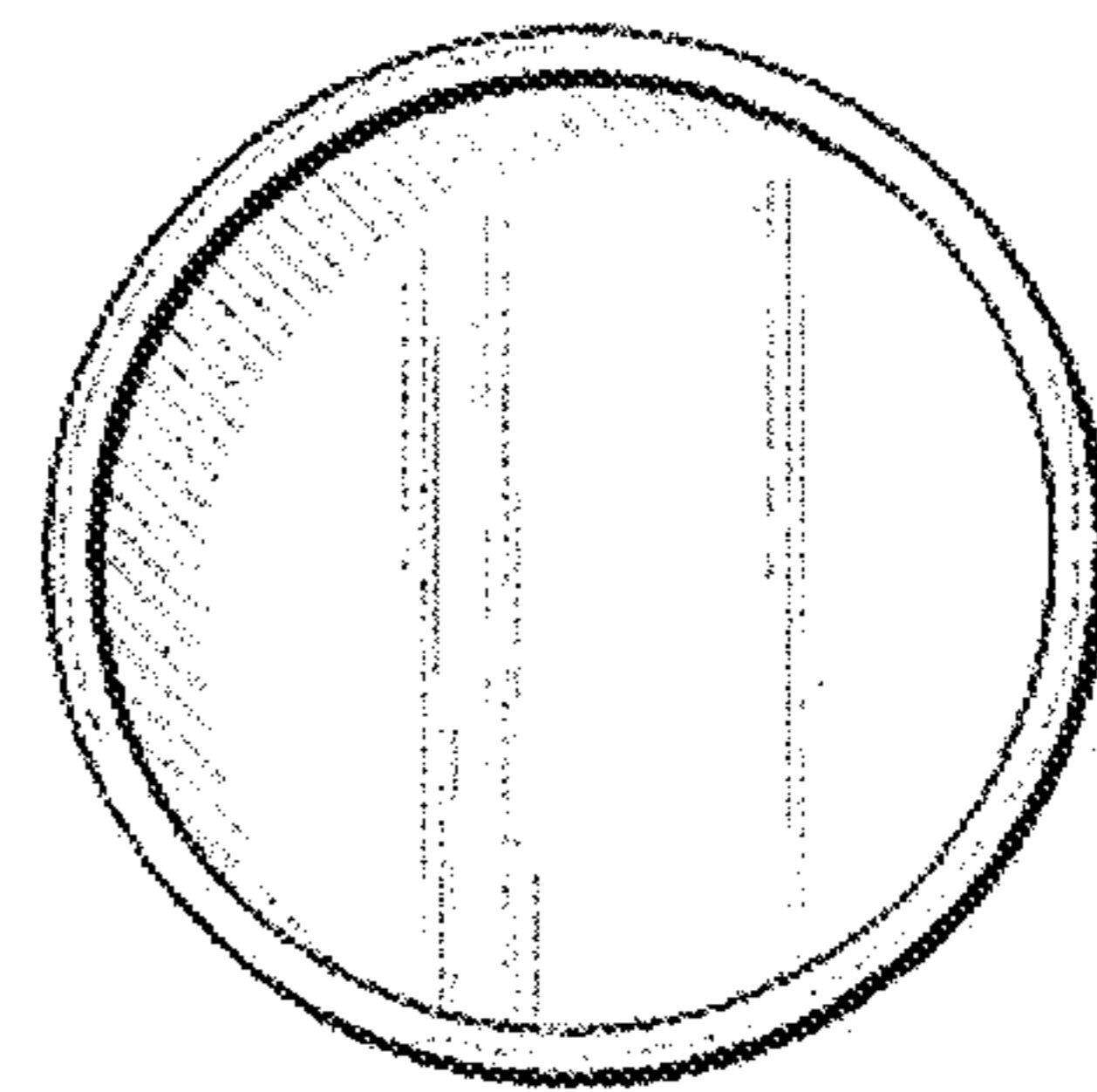
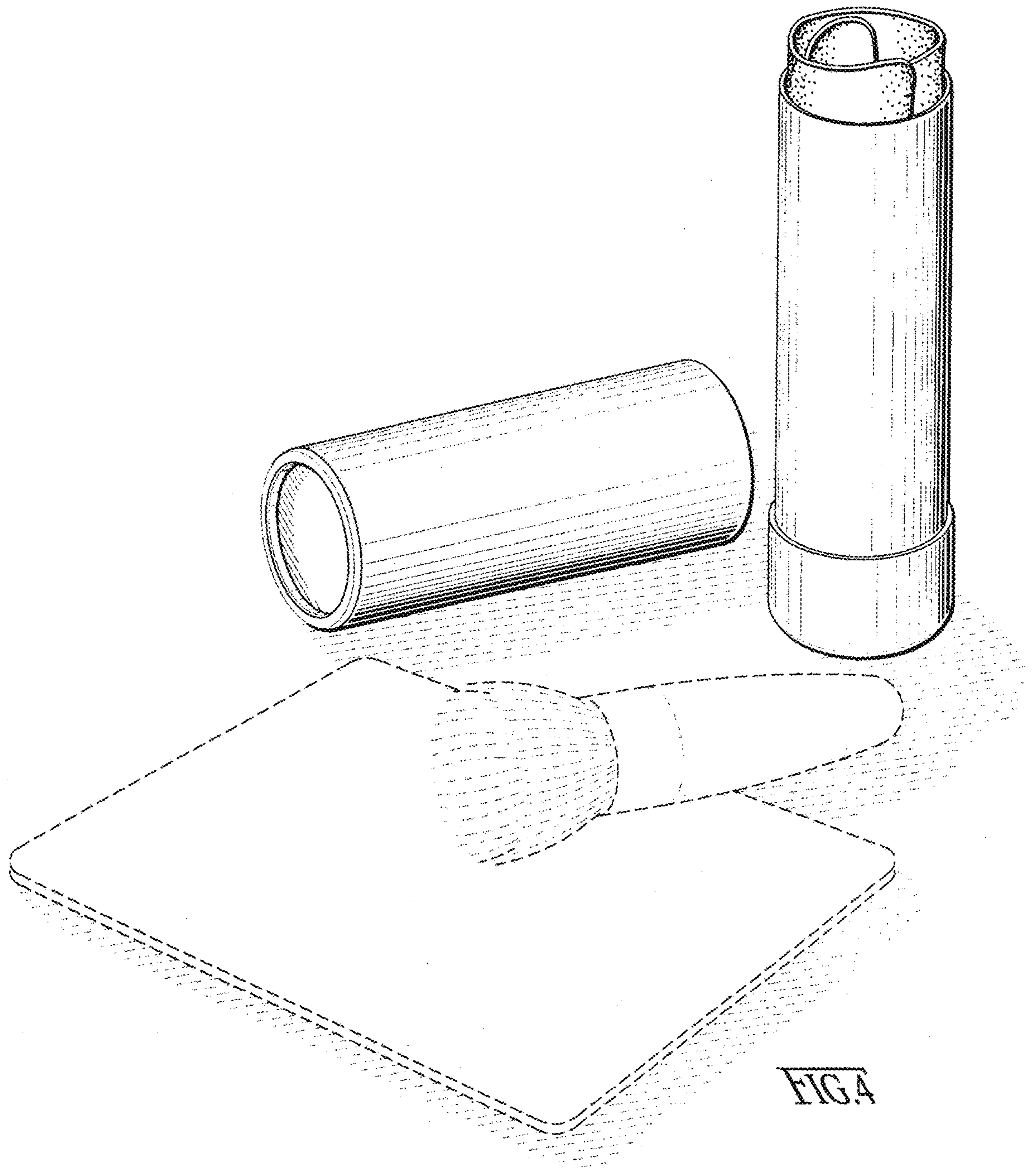


FIG. 3



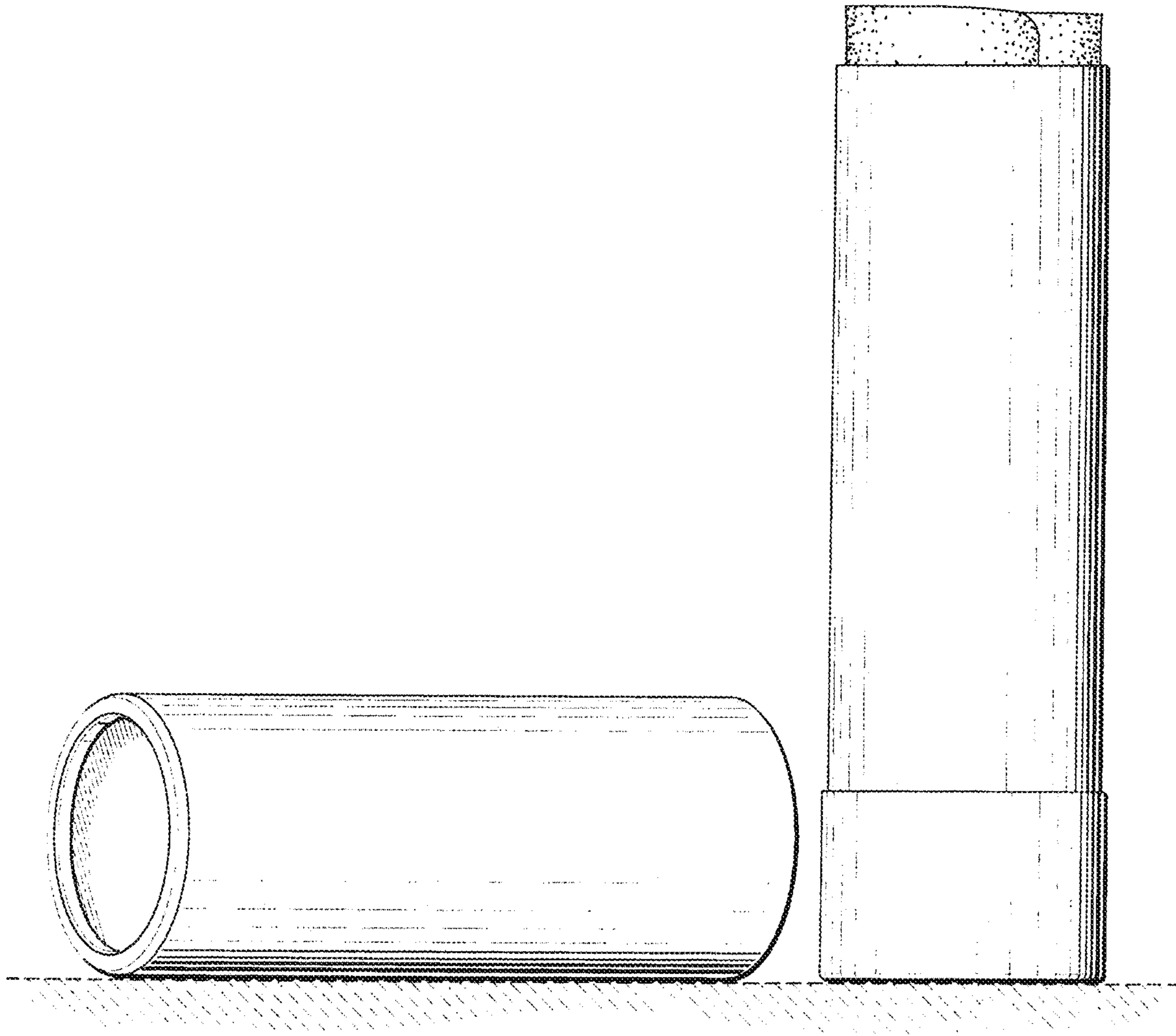


FIG. 5

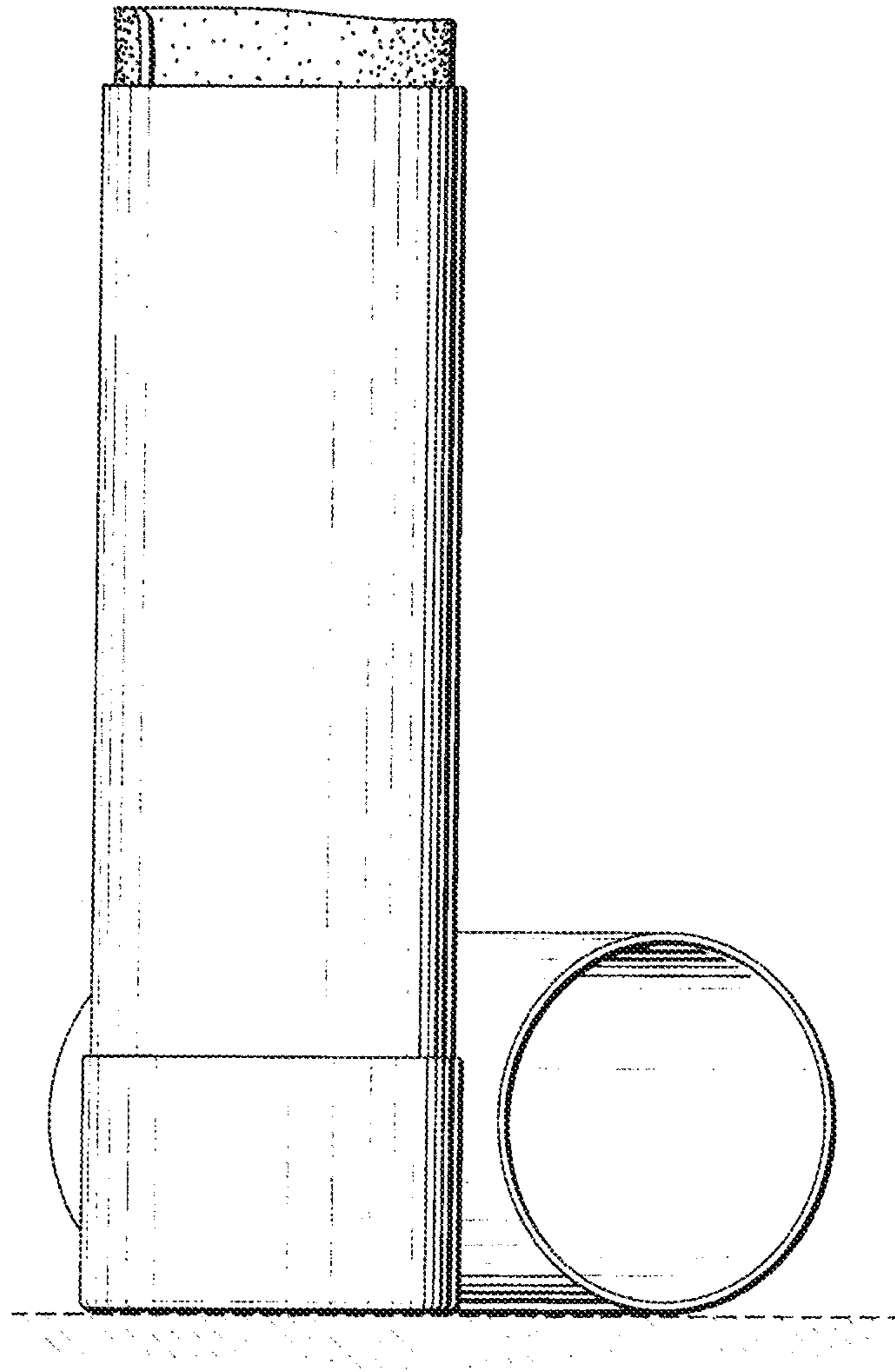


FIG. 6

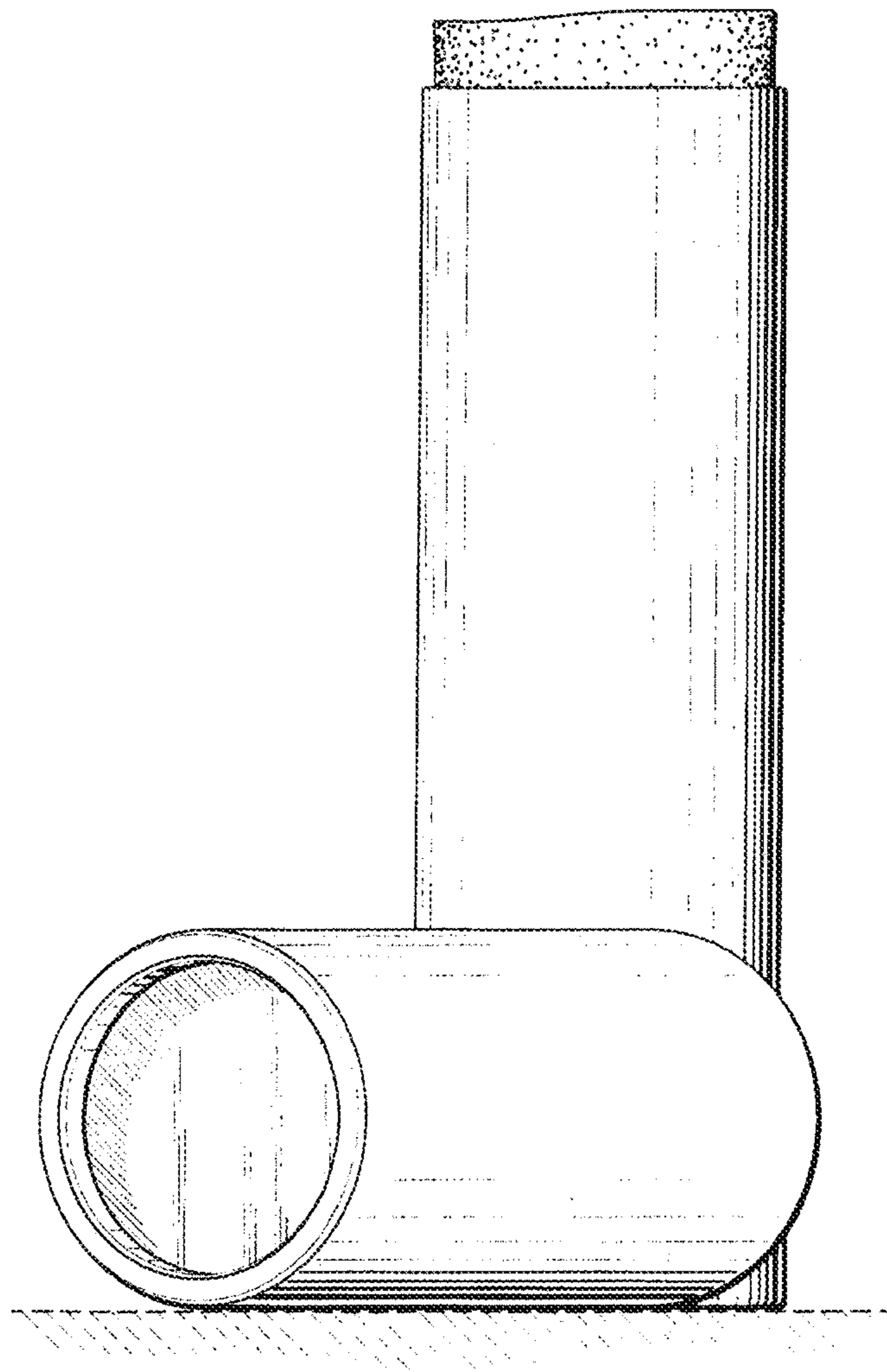


FIG. 7

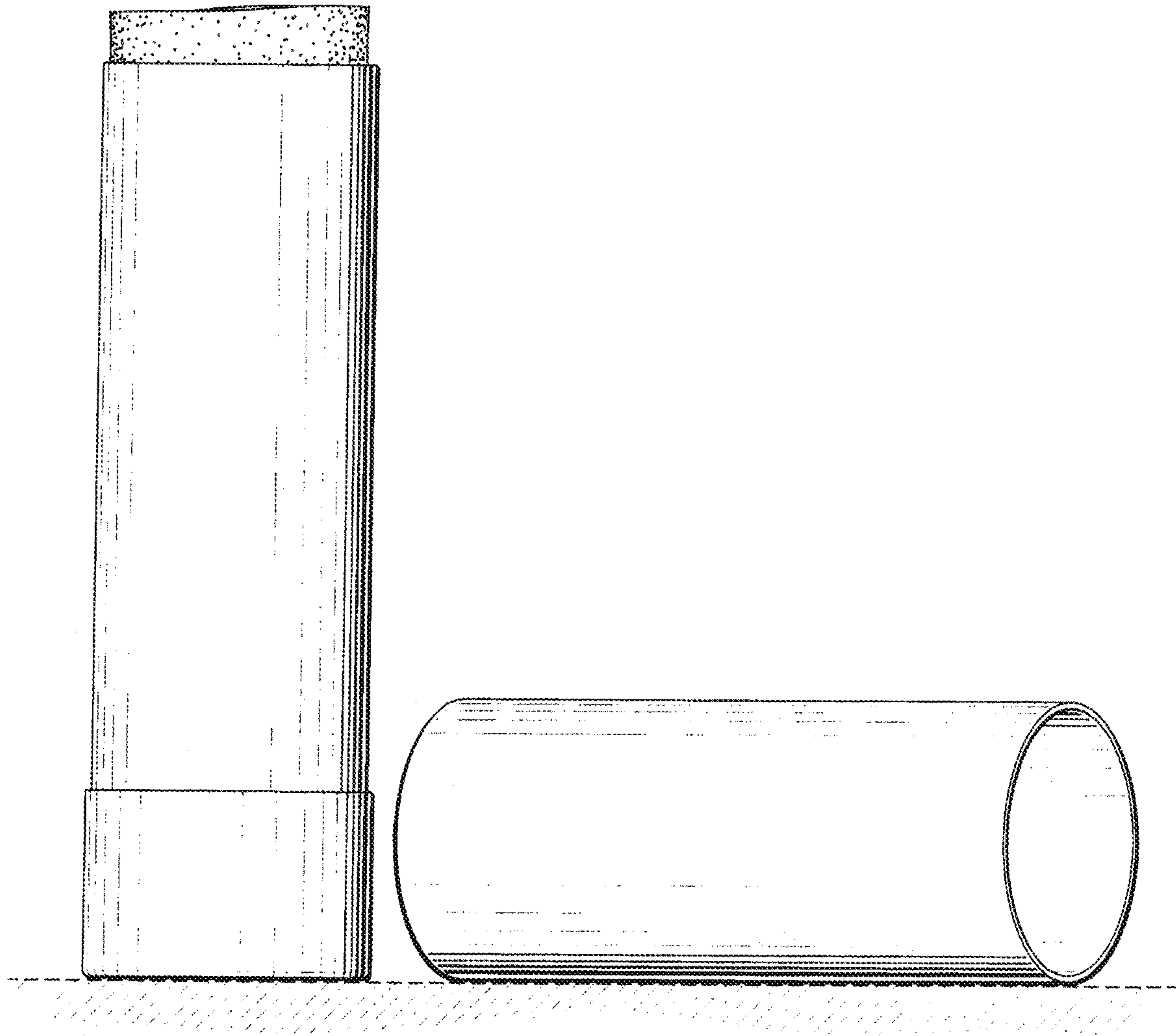


FIG. 8