



US00D956352S

(12) **United States Design Patent** (10) **Patent No.:** **US D956,352 S**  
**Lee et al.** (45) **Date of Patent:** **\*\* Jun. 28, 2022**

(54) **HAIR IRON**  
(71) Applicant: **UNIX ELECTRONICS CO., LTD.,**  
Gimpo-si (KR)  
(72) Inventors: **Chung Gu Lee, Seoul (KR); Han Jo**  
**Lee, Seoul (KR)**  
(73) Assignee: **UNIX ELECTRONICS CO., LTD.,**  
Gimpo-si (KR)  
(\*\*) Term: **15 Years**  
(21) Appl. No.: **29/746,375**  
(22) Filed: **Aug. 13, 2020**

(30) **Foreign Application Priority Data**  
Feb. 24, 2020 (KR) ..... 30-2020-0008116  
(51) **LOC (13) Cl.** ..... **28-03**  
(52) **U.S. Cl.**  
USPC ..... **D28/35**  
(58) **Field of Classification Search**  
USPC ..... D28/10-16, 35-38, 99  
CPC . A45D 1/00; A45D 1/004; A45D 1/02; A45D  
1/04; A45D 1/06; A45D 1/08; A45D  
1/10; A45D 1/12; A45D 1/14; A45D  
1/16; A45D 1/18; A45D 1/20; A45D  
1/28; A45D 2/00; A45D 2/001; A45D  
2/002; A45D 2/12; A45D 2/36; A45D  
6/00  
See application file for complete search history.

(56) **References Cited**  
U.S. PATENT DOCUMENTS  
D609,401 S \* 2/2010 Yang ..... D28/35  
D627,924 S \* 11/2010 Lee ..... D28/35  
D629,156 S \* 12/2010 Kim ..... D28/35

D645,614 S \* 9/2011 Kim ..... D28/35  
D650,130 S \* 12/2011 Hein ..... D28/35  
D672,089 S \* 12/2012 Julemont ..... D28/35  
D682,467 S \* 5/2013 Kim ..... D28/35  
D724,267 S \* 3/2015 Thornley ..... D28/35  
D825,848 S \* 8/2018 Brady ..... D28/35  
D833,070 S \* 11/2018 Chandra ..... D28/35  
D882,171 S \* 4/2020 Peng ..... D28/35  
D919,176 S \* 5/2021 Zheng ..... D28/35  
2012/0291797 A1\* 11/2012 deGrood ..... A45D 1/28  
132/211  
2013/0025620 A1\* 1/2013 Keong ..... A45D 1/10  
132/227  
2017/0164707 A1\* 6/2017 Cowdry ..... H05B 3/06  
2018/0014618 A1\* 1/2018 Ohgi ..... A45D 2/001  
2018/0338595 A1\* 11/2018 Jones ..... A45D 1/04

\* cited by examiner

*Primary Examiner* — Jennifer Rivard  
*Assistant Examiner* — Alison M Ofstun  
(74) *Attorney, Agent, or Firm* — Novick, Kim & Lee,  
PLLC; Jae Youn Kim; Hyun Woo Shin

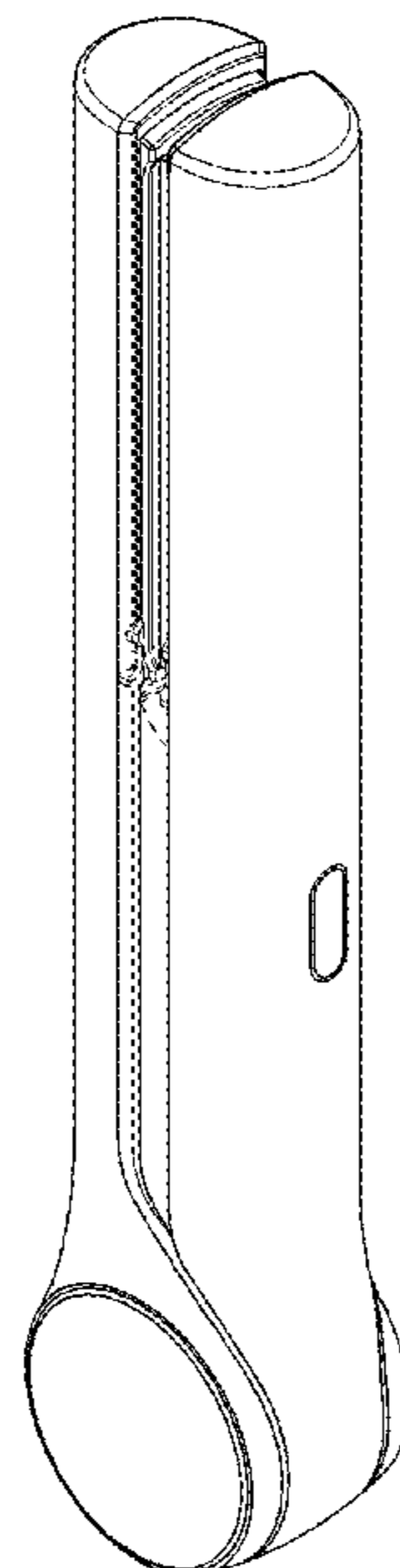
(57) **CLAIM**

The ornamental design for a hair iron, as shown and described.

**DESCRIPTION**

FIG. 1 a perspective view of a hair iron showing our new design;  
FIG. 2 is a front elevational view thereof;  
FIG. 3 is a rear elevational view thereof;  
FIG. 4 is a left side elevational view thereof;  
FIG. 5 is a right side elevational view thereof;  
FIG. 6 is a top plan view thereof; and,  
FIG. 7 is a bottom plan view thereof.  
The broken lines in the drawings illustrate portions of the hair iron which form no part of the claimed design.

**1 Claim, 6 Drawing Sheets**



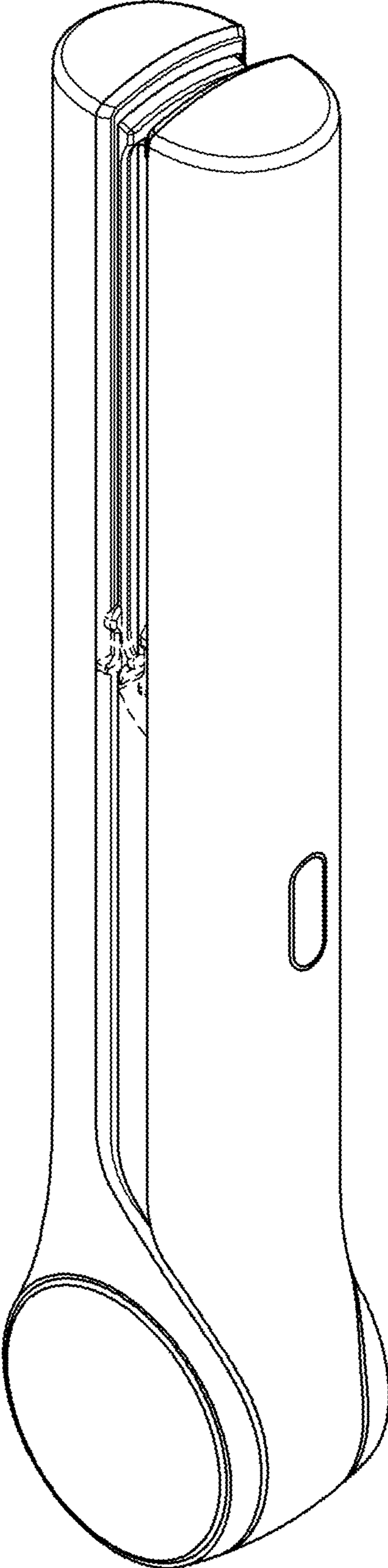


FIG. 1

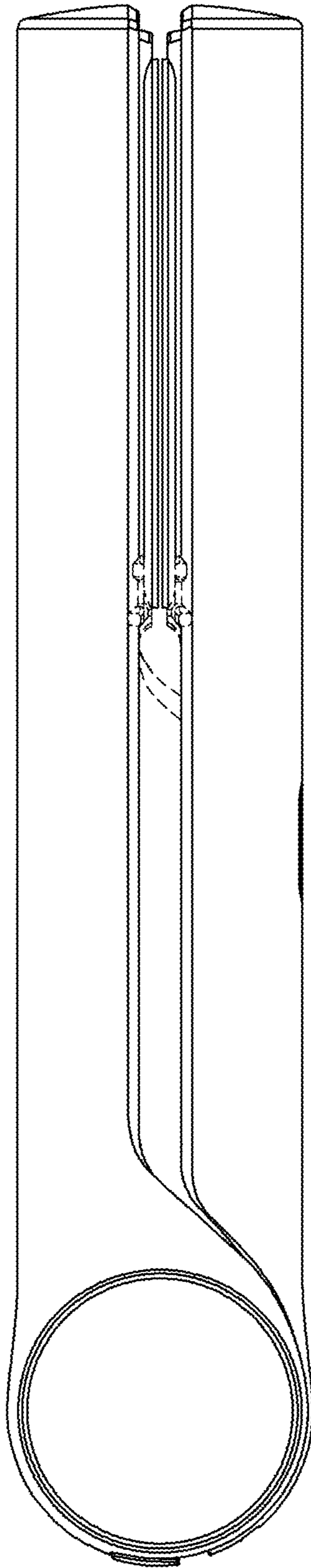


FIG. 2

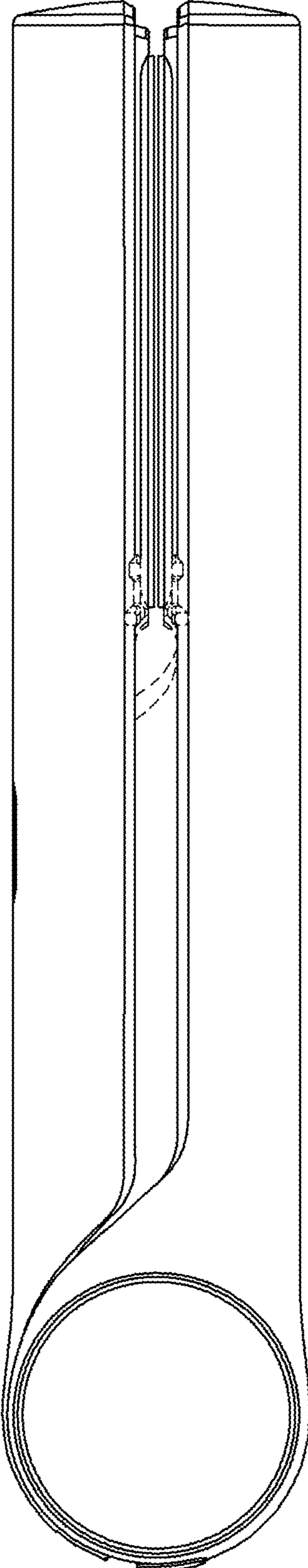
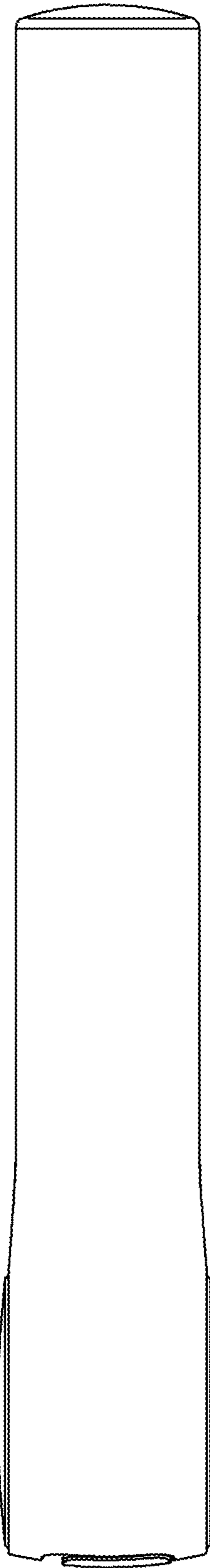


FIG. 3



**FIG. 4**

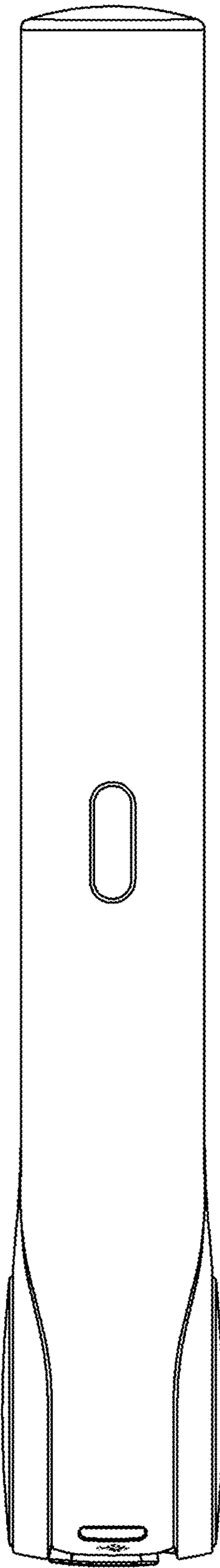


FIG. 5

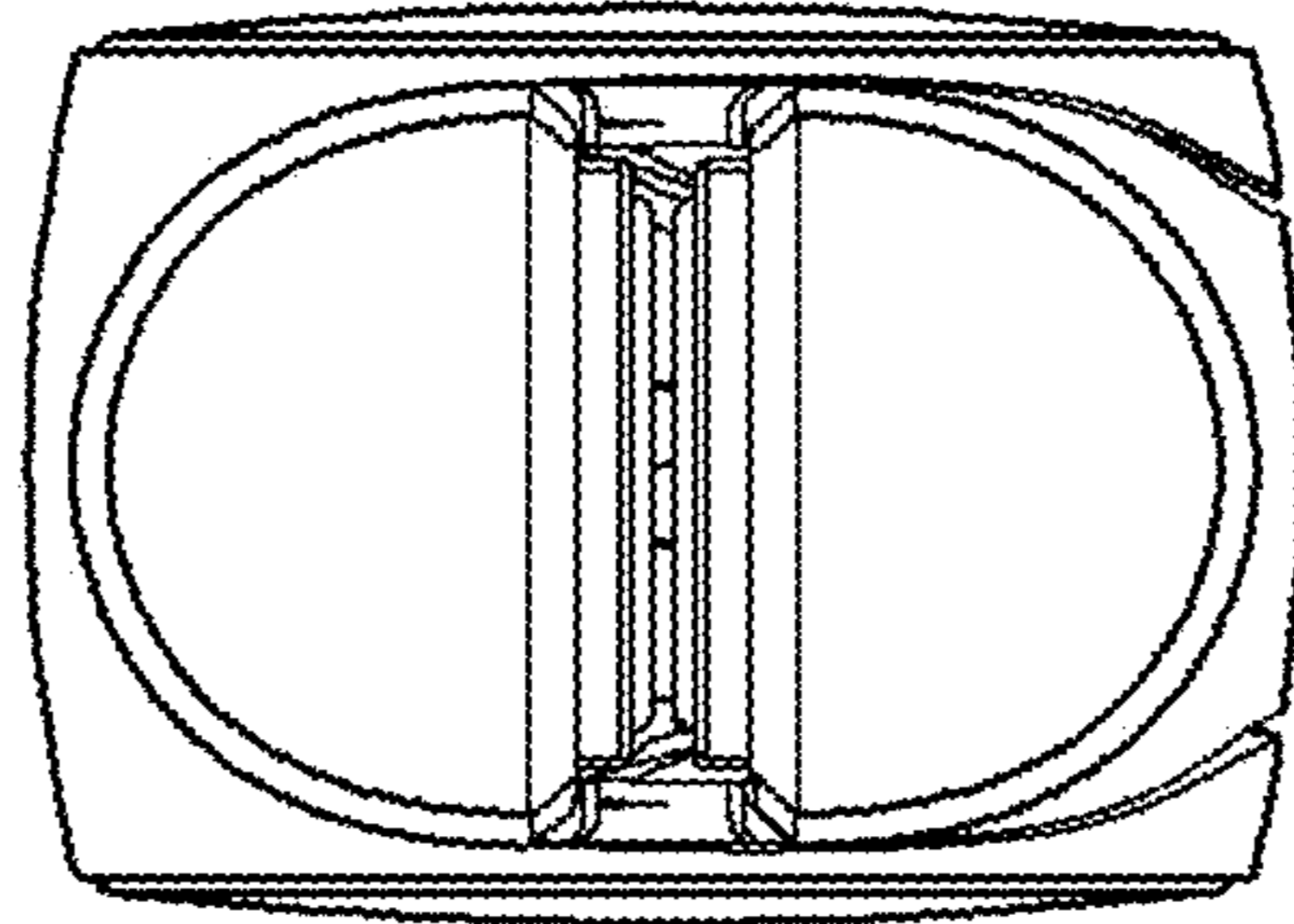


FIG. 6

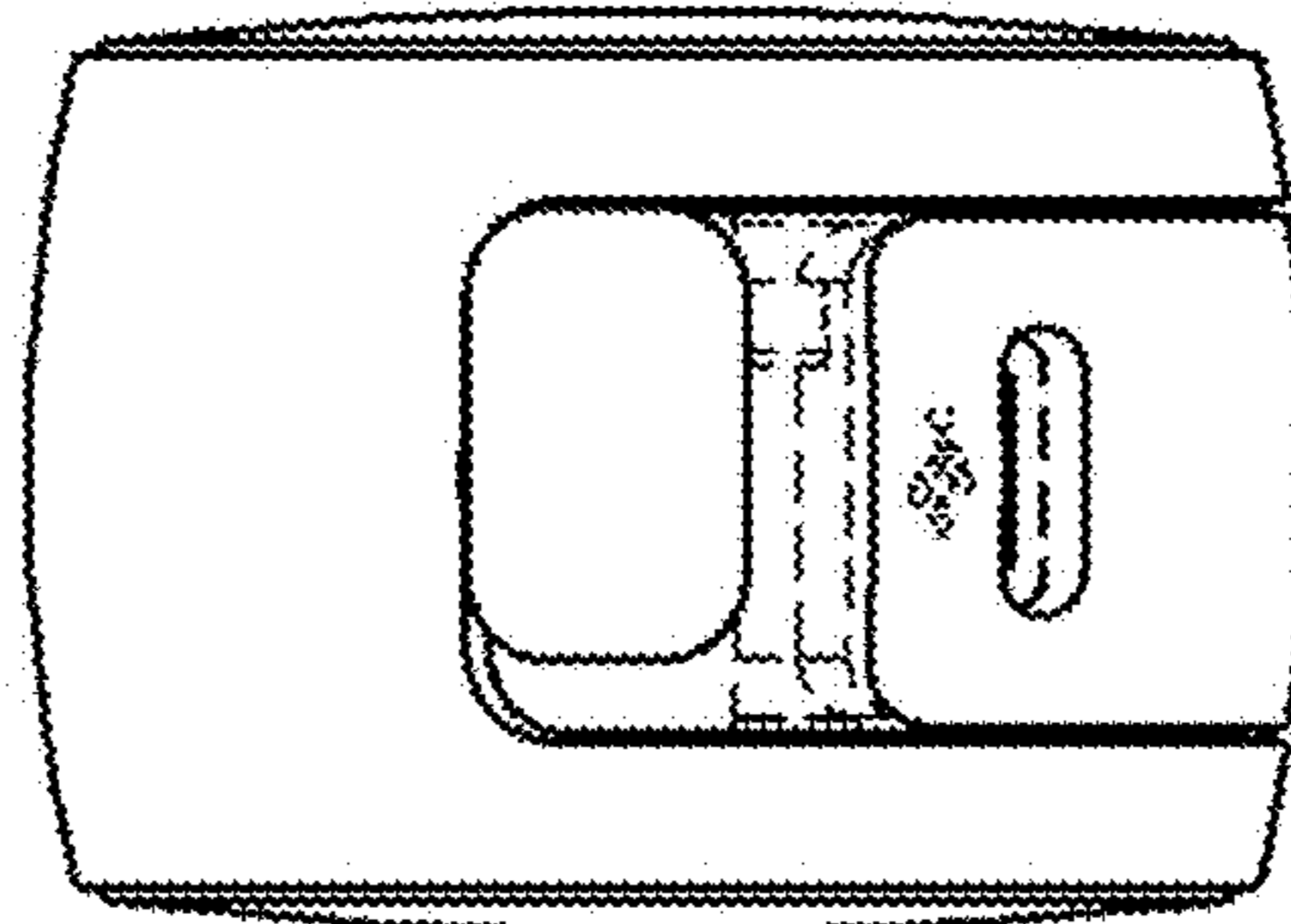


FIG. 7