



US00D956351S

(12) **United States Design Patent**
Cao

(10) **Patent No.:** **US D956,351 S**

(45) **Date of Patent:** **** Jun. 28, 2022**

(54) **HAIR DRYER**

(71) Applicant: **Dongguan Kangya Technology Co., Ltd.**, Dongguan (CN)

(72) Inventor: **Zhanhai Cao**, Dongguan (CN)

(**) Term: **15 Years**

(21) Appl. No.: **29/759,595**

(22) Filed: **Nov. 24, 2020**

(30) **Foreign Application Priority Data**

Nov. 9, 2020 (CN) 202030676371.8

(51) **LOC (13) Cl.** **28-03**

(52) **U.S. Cl.**
USPC **D28/13**

(58) **Field of Classification Search**
USPC D28/12-19; D8/29.1
CPC A45D 20/00; A45D 20/04; A45D 20/08;
A45D 20/10; A45D 20/12; A45D
2020/128
See application file for complete search history.

(56) **References Cited**

U.S. PATENT DOCUMENTS

D248,576 S * 7/1978 Janssens D28/12
D318,347 S * 7/1991 Hirose D28/12

D349,570 S * 8/1994 Radtke, Jr. D23/382
D671,630 S * 11/2012 Hideharu D23/382
D676,123 S * 2/2013 Hideharu D23/370
D701,298 S * 3/2014 Daisaku D23/370
D903,088 S * 11/2020 Chen D23/382
D917,035 S * 4/2021 Zhou D23/370

* cited by examiner

Primary Examiner — Zenia I Bennett

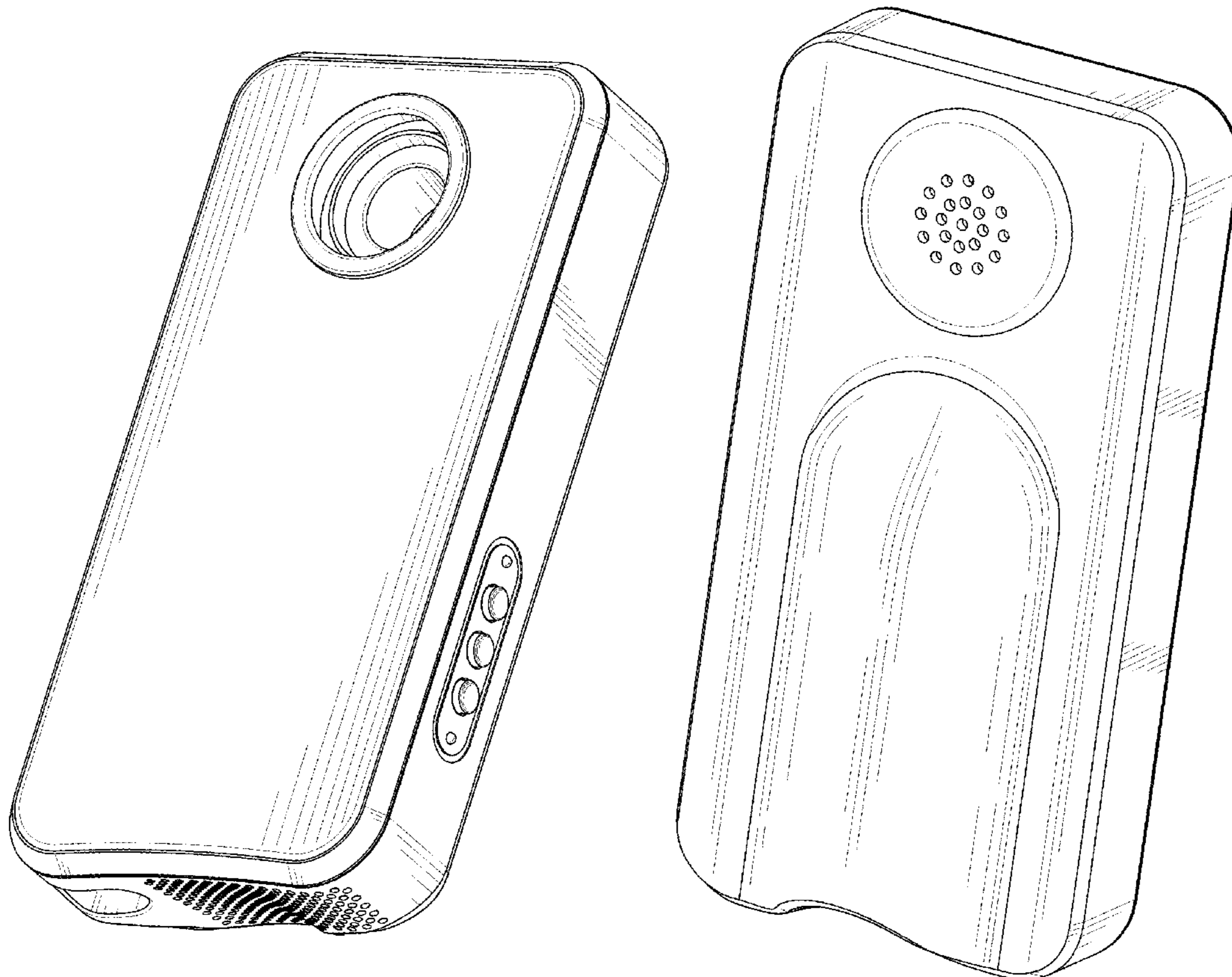
(57) **CLAIM**

The ornamental design for a hair dryer, as shown and described.

DESCRIPTION

FIG. 1 is a perspective view of a hair dryer showing my new design;
FIG. 2 is another perspective view thereof;
FIG. 3 is a front view thereof;
FIG. 4 is a rear view thereof;
FIG. 5 is a left side view thereof;
FIG. 6 is a right side view thereof;
FIG. 7 is a top plan view thereof; and,
FIG. 8 is a bottom plan view thereof.

1 Claim, 7 Drawing Sheets



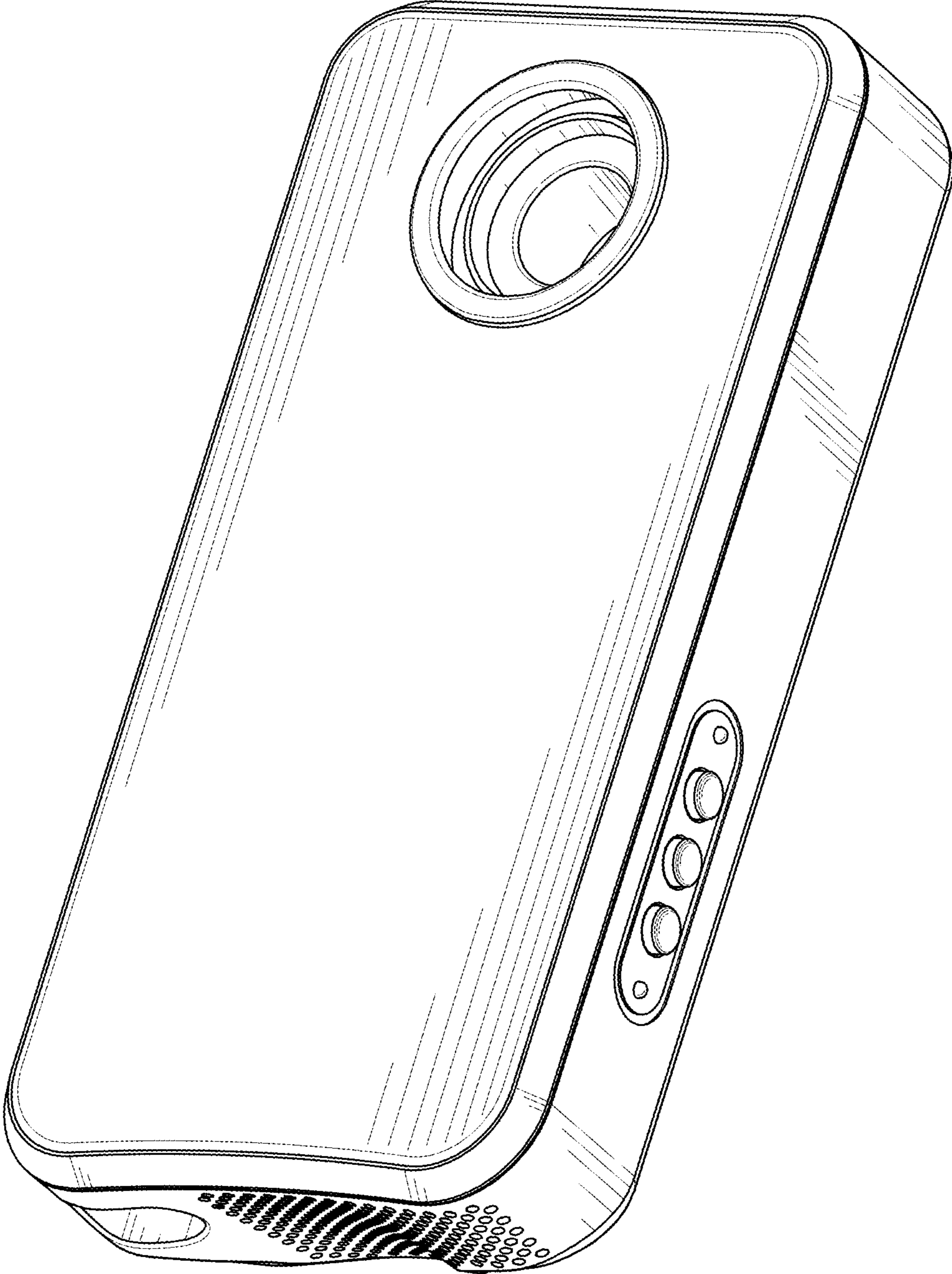


FIG. 1

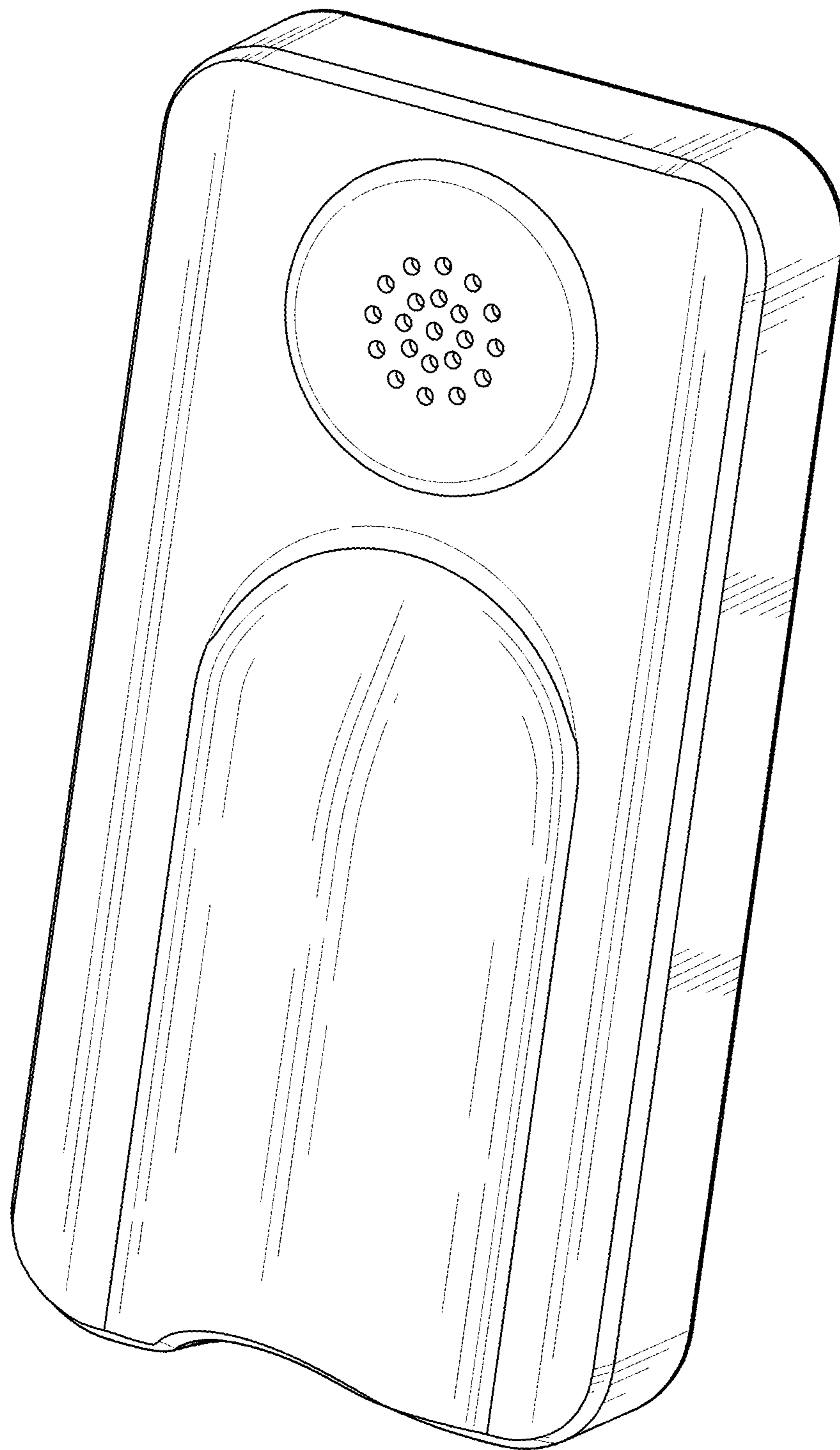


FIG. 2

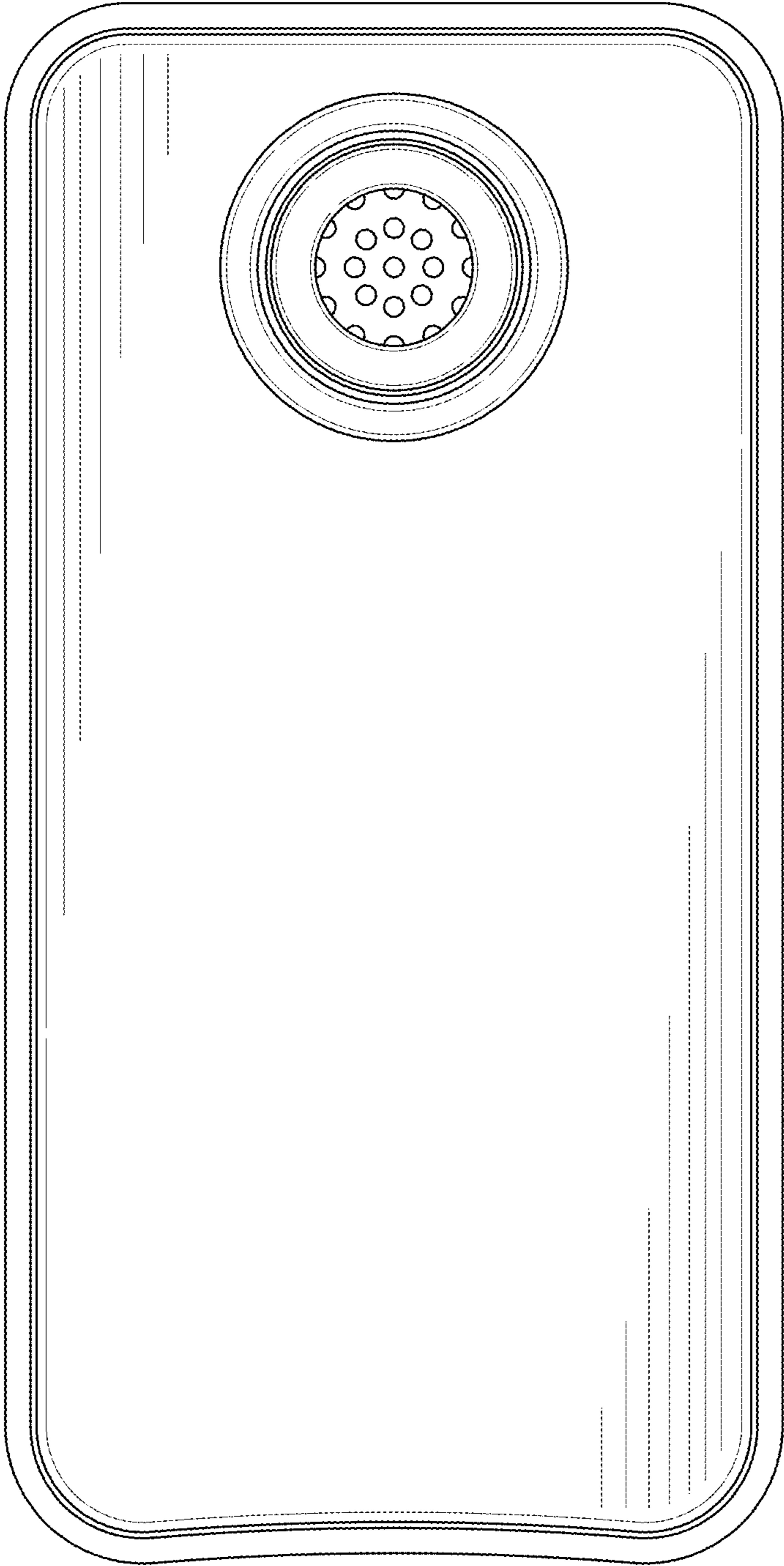


FIG. 3

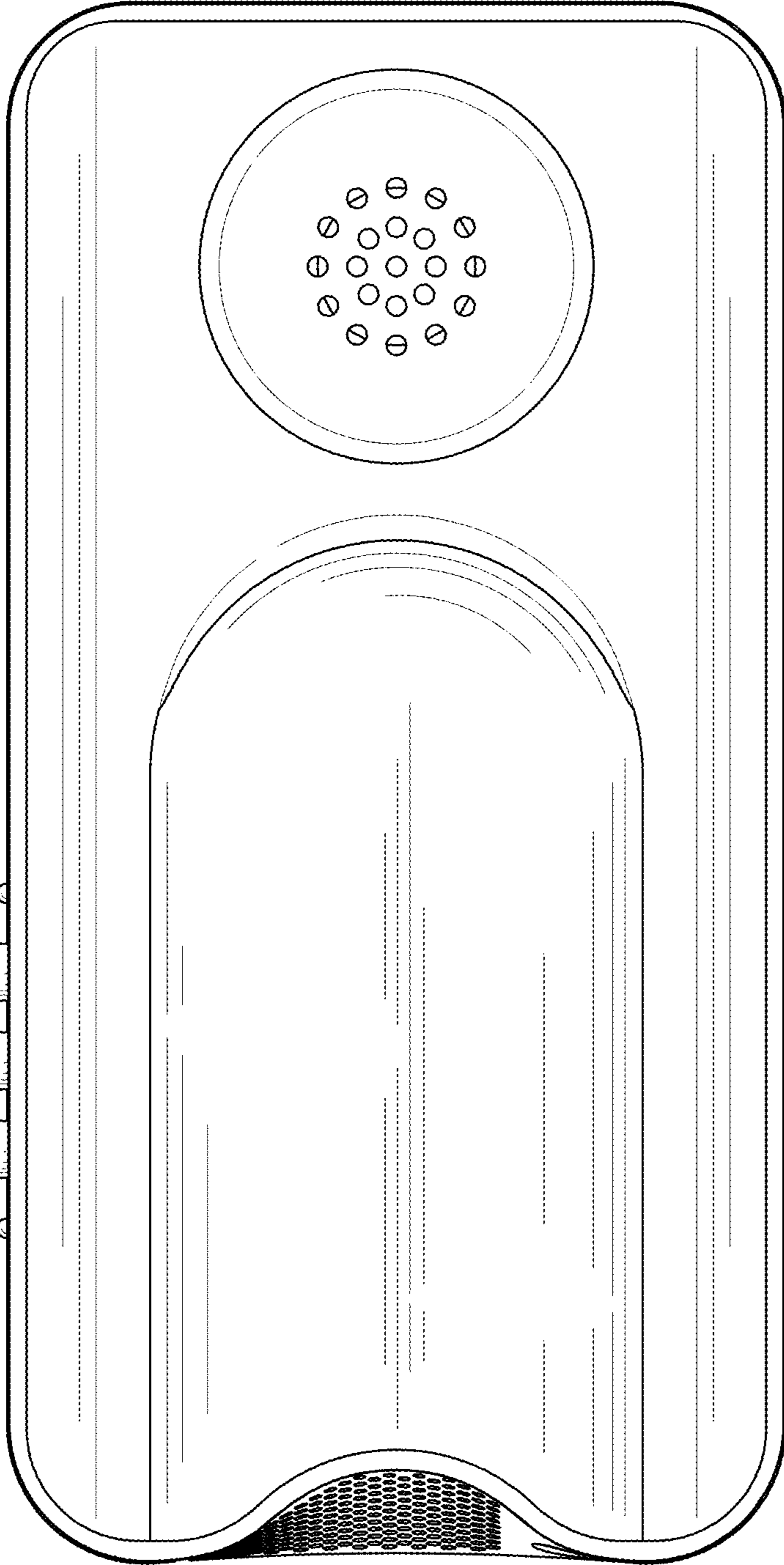


FIG. 4

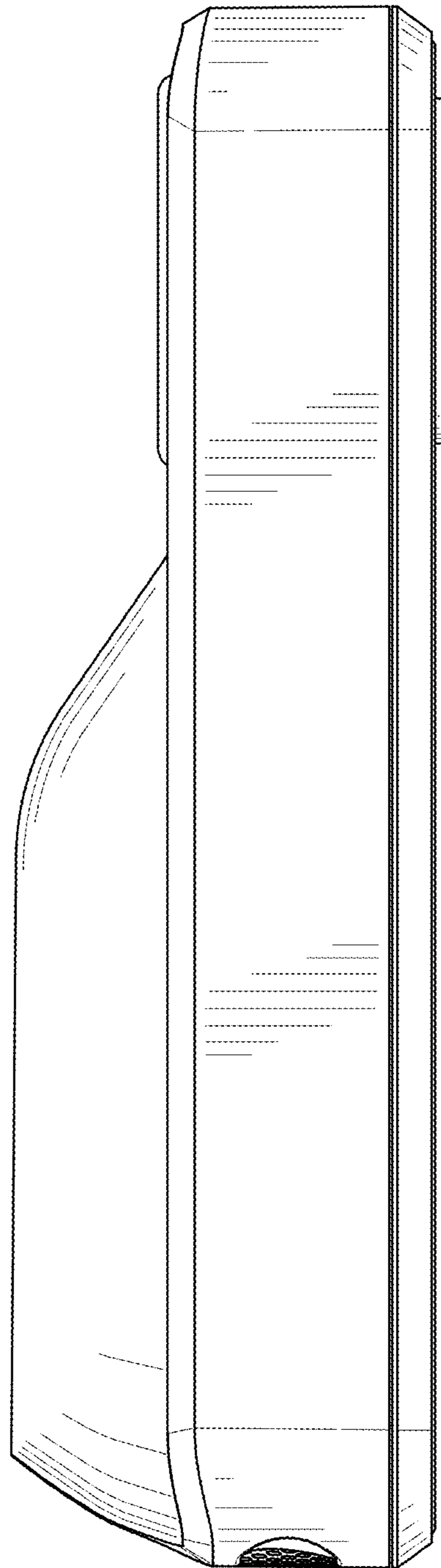


FIG. 5

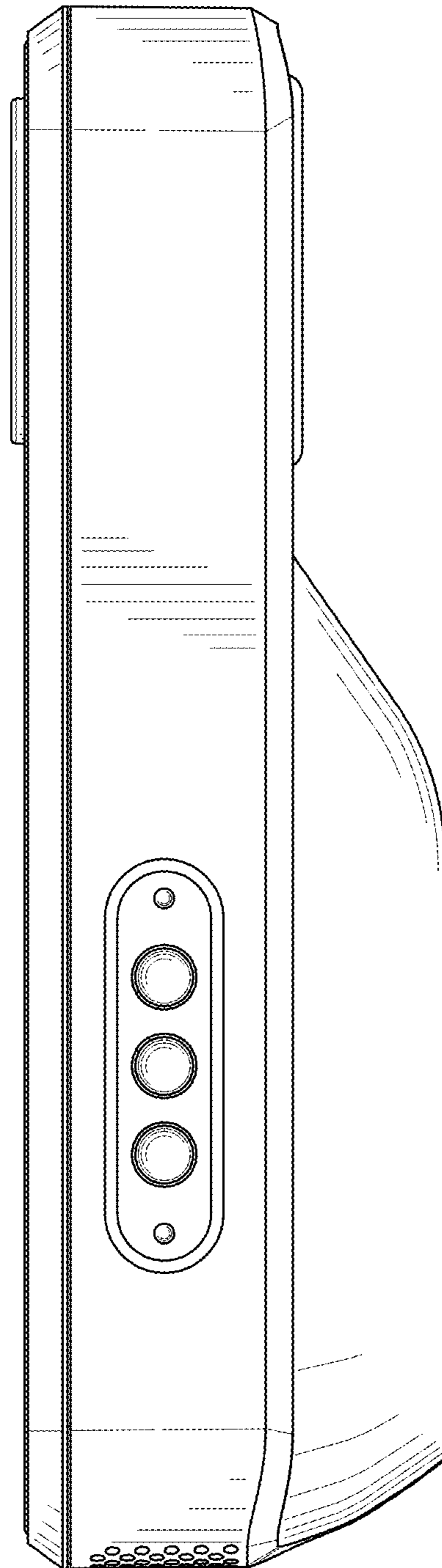


FIG. 6

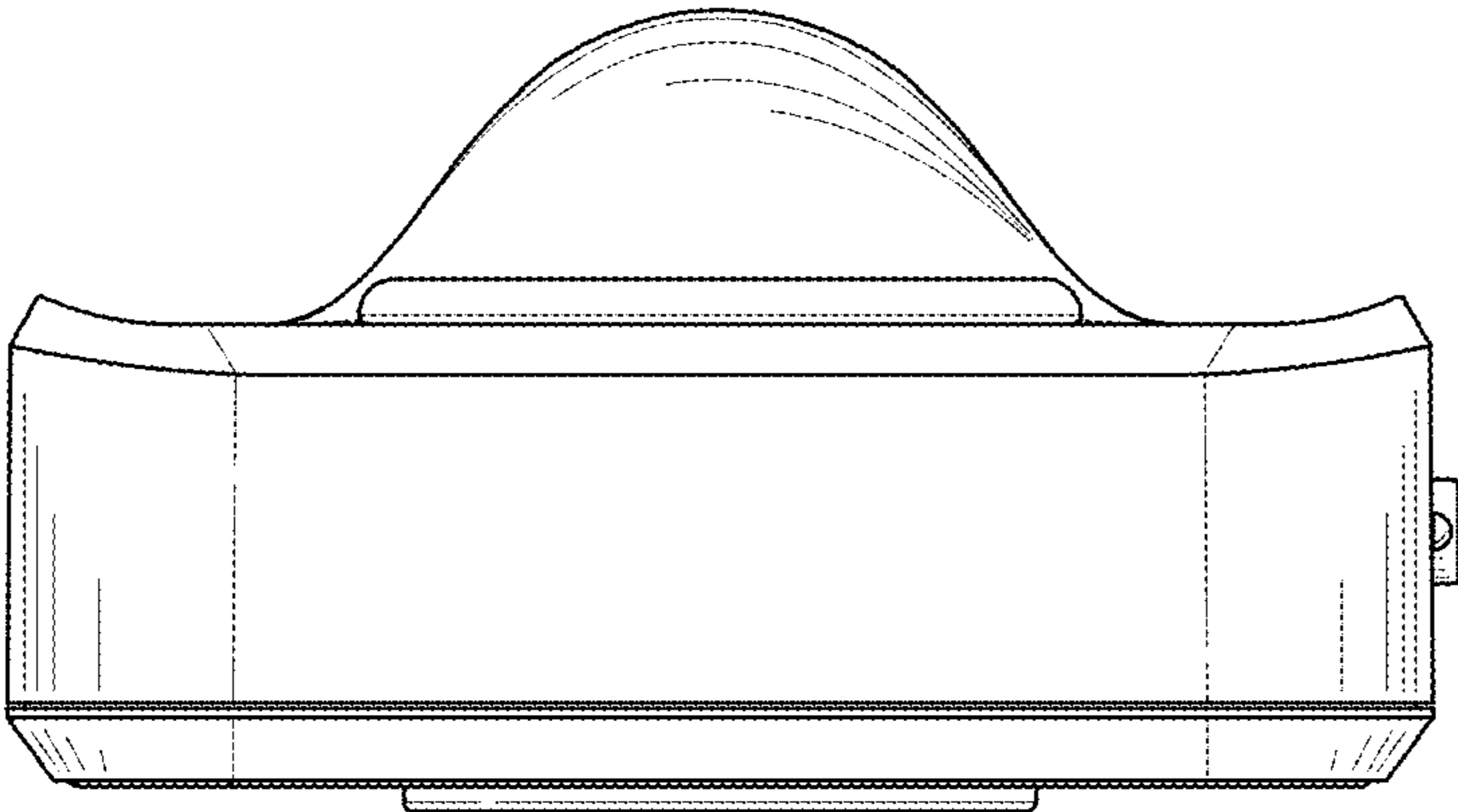


FIG. 7

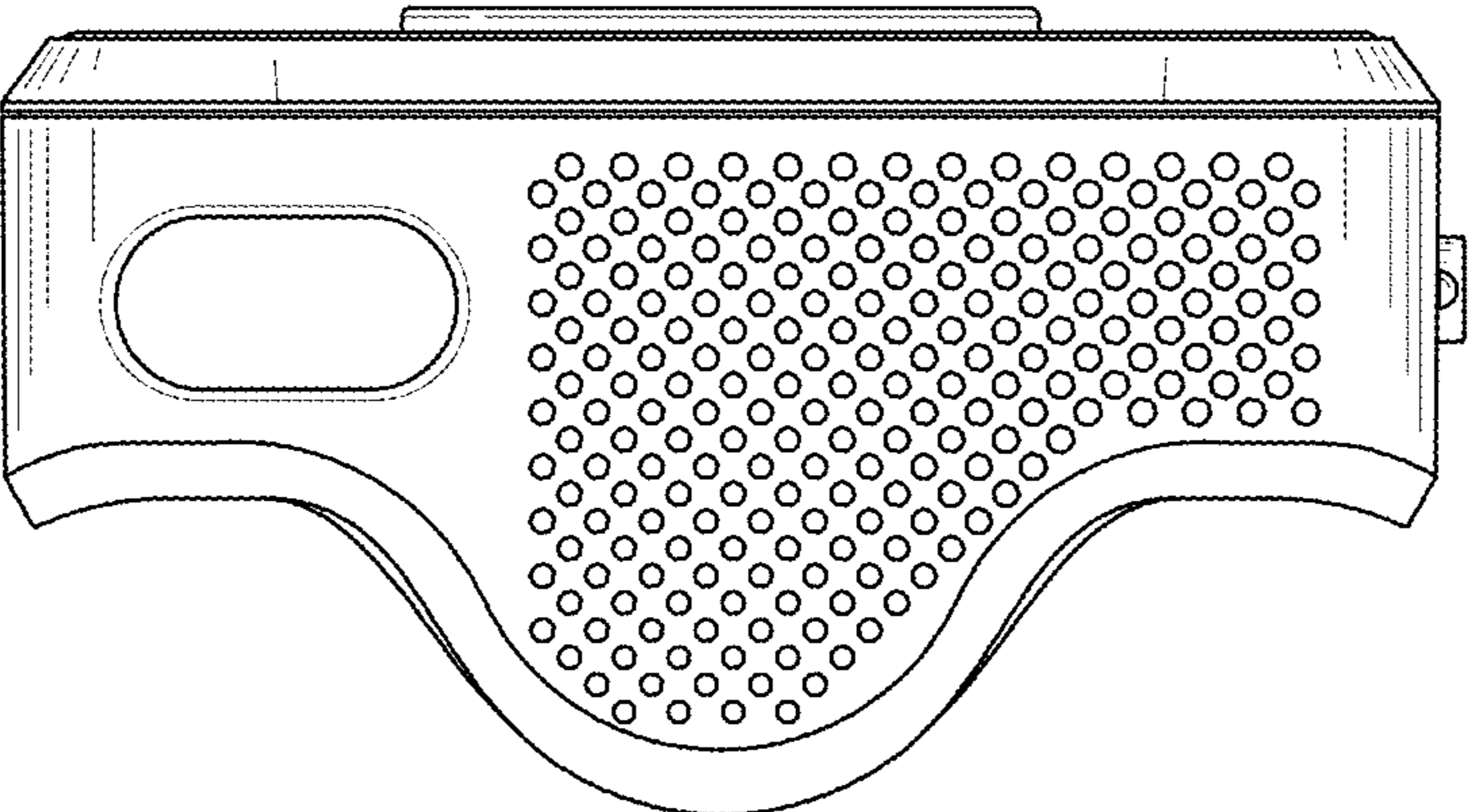


FIG. 8