



US00D956343S

(12) **United States Design Patent** (10) **Patent No.:** **US D956,343 S**  
**Deng** (45) **Date of Patent:** **\*\* Jun. 28, 2022**

(54) **EXPLOSION-PROOF LAMP**

(56) **References Cited**

(71) Applicant: **EPC PRODUCT LLC**, Rancho Dominguez, CA (US)

U.S. PATENT DOCUMENTS

(72) Inventor: **Jinsheng Deng**, Rancho Dominguez, CA (US)

D251,751 S *	5/1979	Lawrence	.....	D26/119
D331,634 S *	12/1992	Browne	.....	D26/119
D535,422 S *	1/2007	Mier-Langner	.....	D26/61
D653,795 S *	2/2012	Guercio	.....	D26/89
D828,584 S *	9/2018	Yu	.....	D26/2
D855,872 S *	8/2019	Lan	.....	D26/119
D858,863 S *	9/2019	Deng	.....	D26/119
D868,334 S *	11/2019	Li	.....	D26/72
D883,561 S *	5/2020	Romano	.....	D26/119
D888,320 S *	6/2020	Brannon	.....	D26/89
D914,935 S *	3/2021	Deng	.....	D26/41
D923,861 S *	6/2021	Haggar	.....	D26/119
2011/0280021 A1 *	11/2011	Pollack, Jr.	.....	F21V 29/83 362/294
2012/0195041 A1 *	8/2012	Fletcher	.....	F21V 23/003 362/249.02
2019/0113217 A1 *	4/2019	Lan	.....	F21V 15/02
2019/0212005 A1 *	7/2019	Lan	.....	F21V 21/30

(73) Assignee: **EPC PRODUCT LLC**, Rancho Dominguez, CA (US)

(\*\*) Term: **15 Years**

(21) Appl. No.: **29/720,138**

(22) Filed: **Jan. 10, 2020**

(30) **Foreign Application Priority Data**

Oct. 31, 2019 (CN) ..... 201930596238.9

(51) **LOC (13) Cl.** ..... **26-05**

(52) **U.S. Cl.**  
USPC ..... **D26/119**

(58) **Field of Classification Search**  
USPC ..... D26/24, 63, 72, 76, 77, 78, 81, 88, 90,  
D26/118, 119; 362/185  
CPC ..... F21V 15/00; F21V 15/01; F21V 15/02;  
F21V 15/04; F21V 1/02; F21V 1/04;  
F21V 1/08; F21V 29/506; F21V 29/507;  
F21V 31/00; F21S 8/03; F21S 8/04; F21S  
8/06; F21S 8/033; F21S 8/036; F21S  
8/043; F21S 8/061; F21S 8/086; F21S  
9/022; F21W 2131/10; F21W 2131/40;  
F21W 2131/101; F21W 2131/103; F21W  
2131/105; F21W 2131/107; F21W  
2131/402; F21W 2131/407; F21W  
2131/409; F21W 2131/1005

See application file for complete search history.

\* cited by examiner

*Primary Examiner* — Clint A Samuel

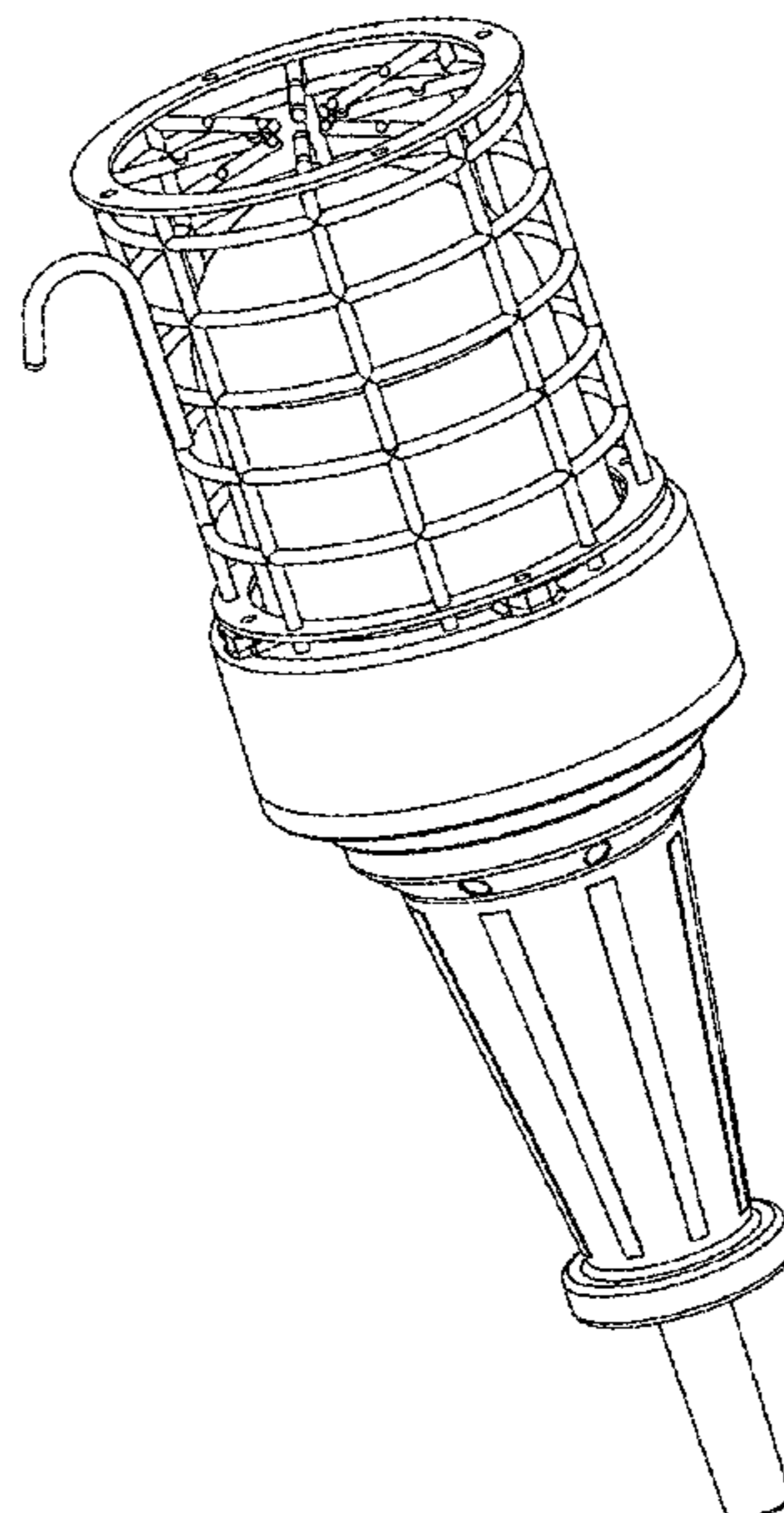
(57) **CLAIM**

The ornamental design for an explosion-proof lamp, as shown and described.

**DESCRIPTION**

FIG. 1 is a perspective view of an explosion-proof lamp showing my new design;  
FIG. 2 is a front elevation view thereof;  
FIG. 3 is a rear elevation view thereof;  
FIG. 4 is a left side elevation view thereof;  
FIG. 5 is a right side elevation view thereof;  
FIG. 6 is a top plan view thereof; and,  
FIG. 7 is a bottom plan view thereof.  
The broken lines depict portions of the explosion-proof lamp in which the design is embodied that form no part of the claimed design.

**1 Claim, 7 Drawing Sheets**



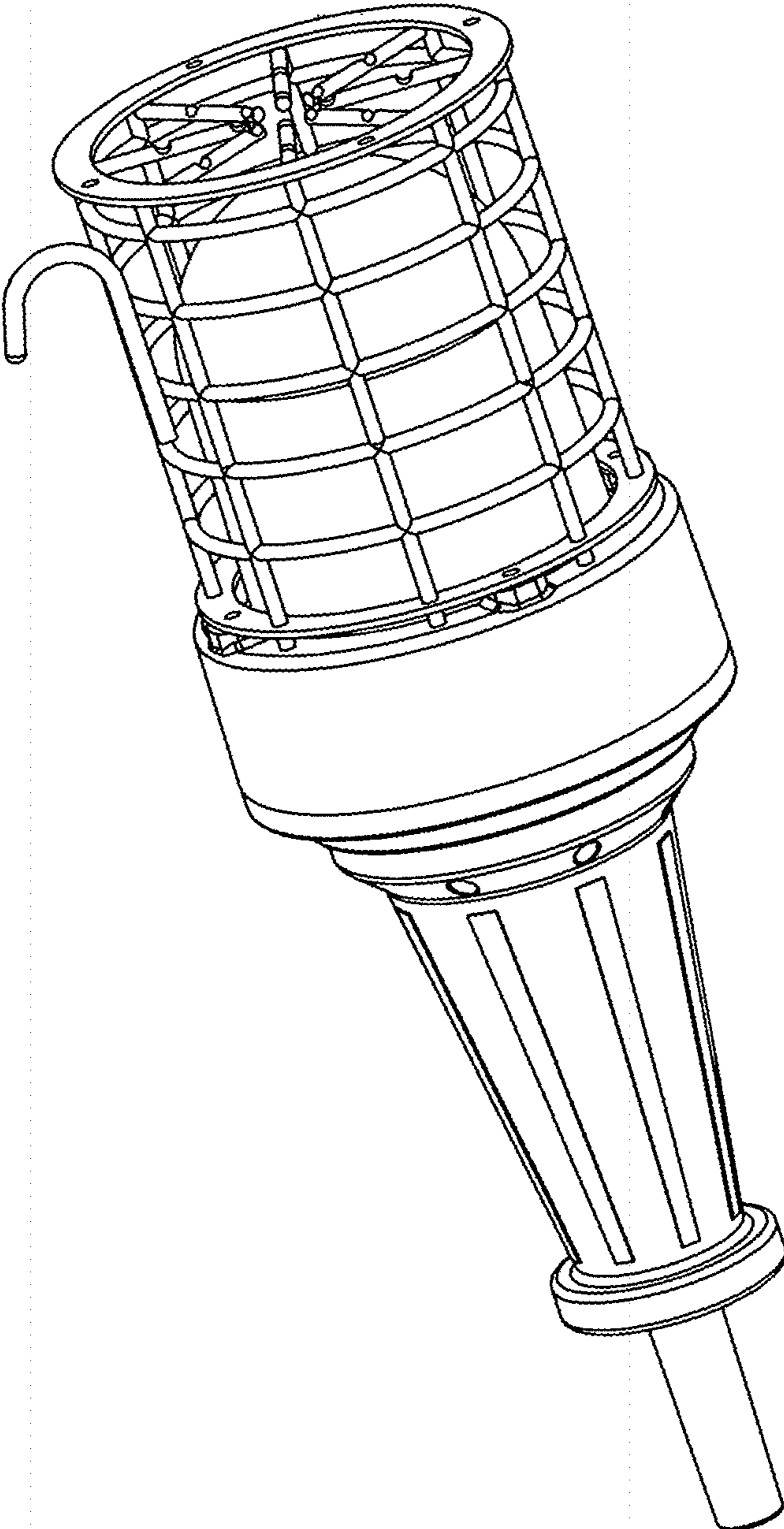


FIG. 1

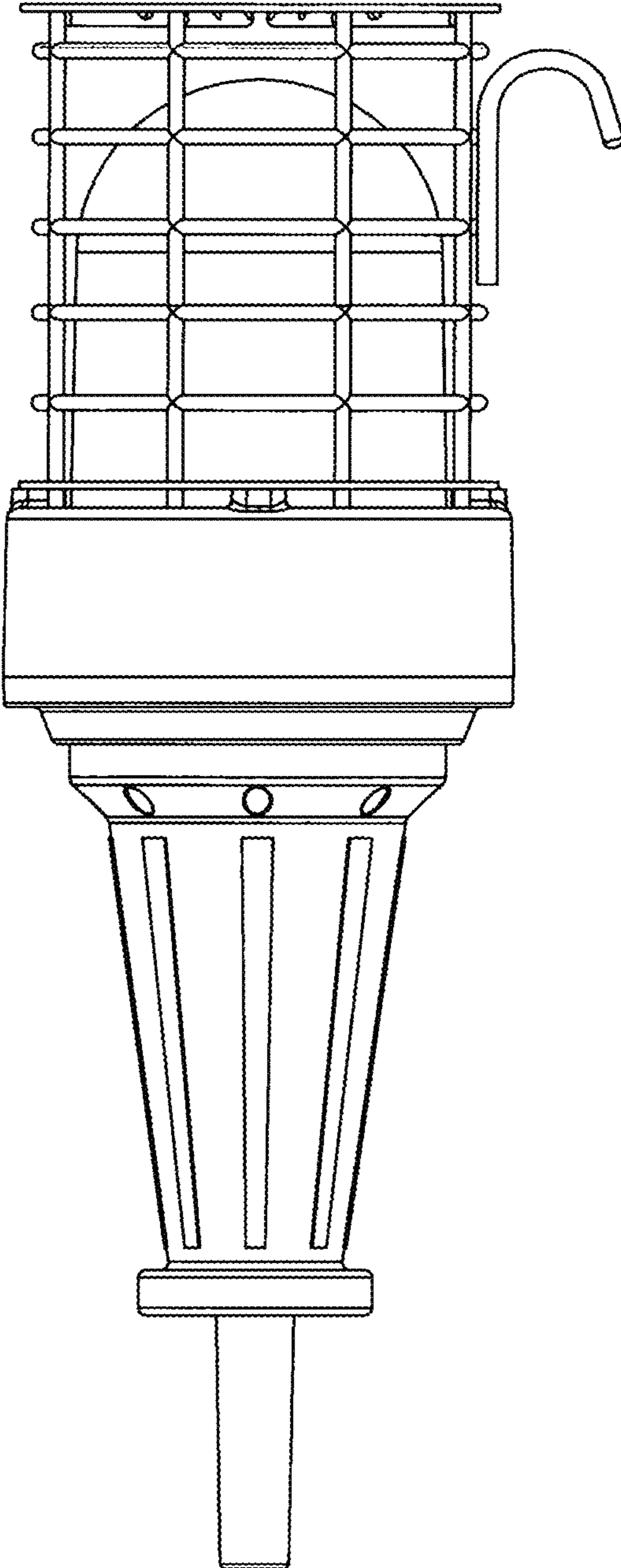


FIG. 2

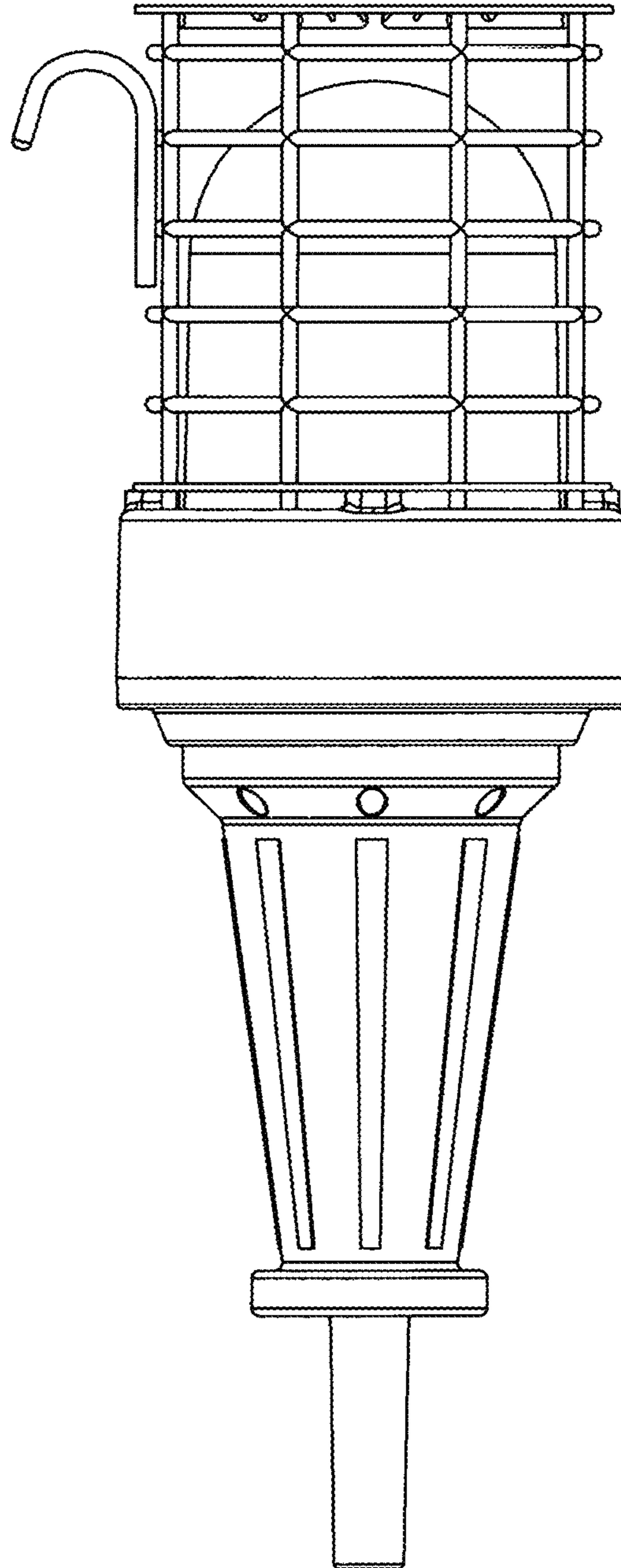


FIG. 3

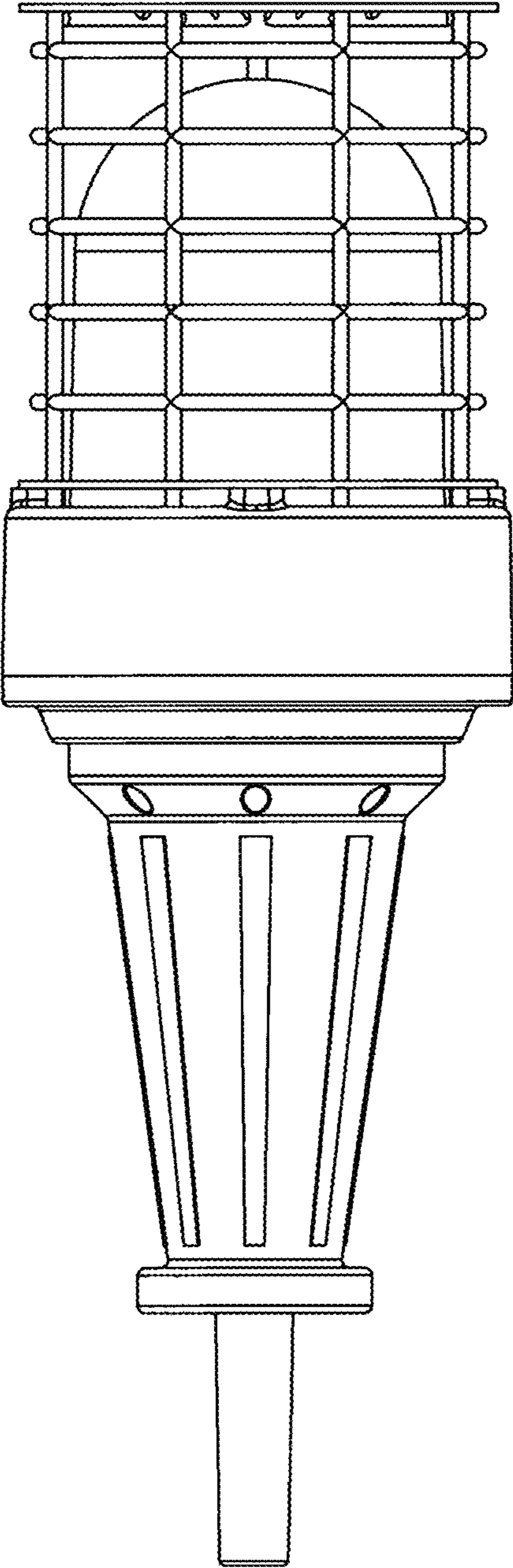


FIG. 4

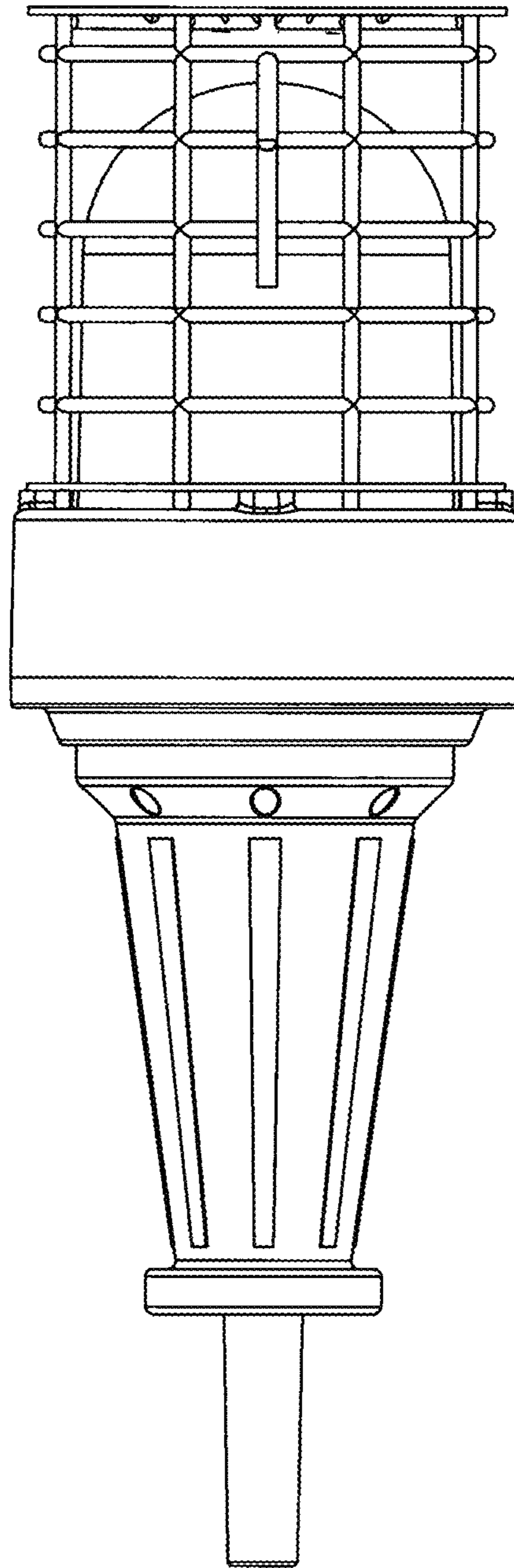


FIG. 5

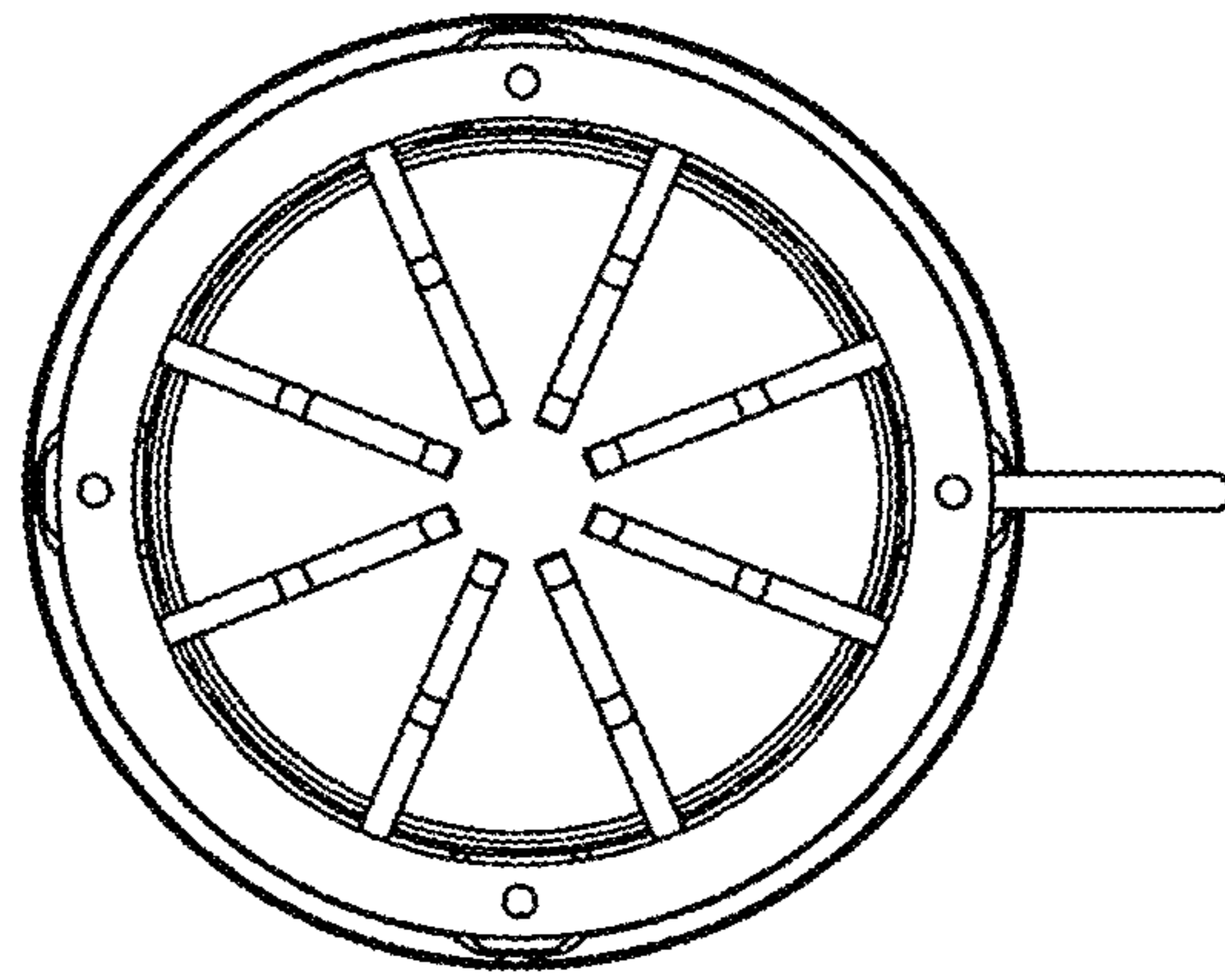


FIG. 6

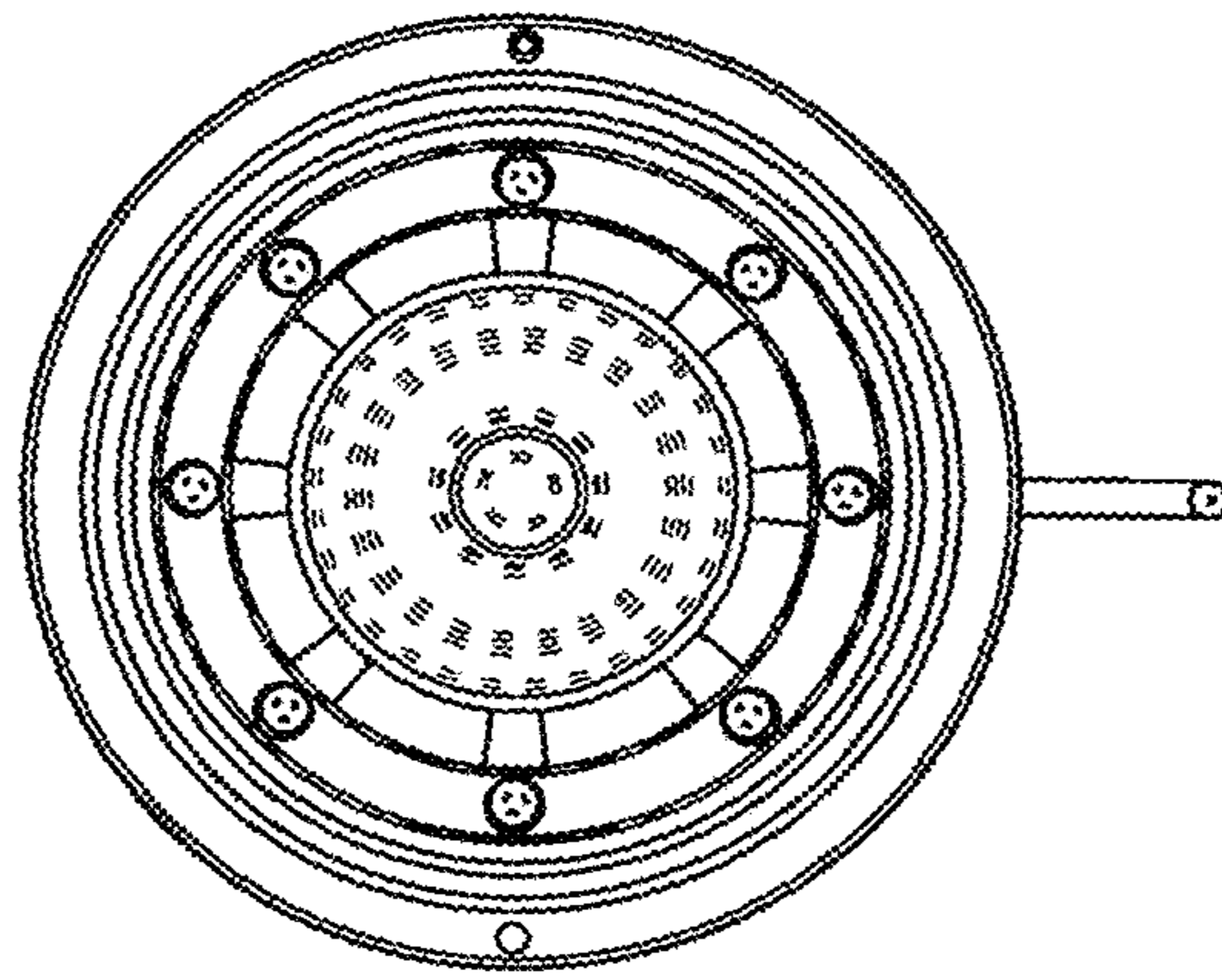


FIG. 7