



US00D956342S

(12) **United States Design Patent**
Deng

(10) **Patent No.:** **US D956,342 S**

(45) **Date of Patent:** **** Jun. 28, 2022**

(54) **EXPLOSION-PROOF LAMP**

(71) Applicant: **Jinsheng Deng**, Rancho Dominguez,
CA (US)

(72) Inventor: **Jinsheng Deng**, Rancho Dominguez,
CA (US)

(73) Assignee: **EPC PRODUCT LLC**, Rancho
Dominguez, CA (US)

(**) Term: **15 Years**

(21) Appl. No.: **29/720,123**

(22) Filed: **Jan. 9, 2020**

(51) **LOC (13) Cl.** **26-05**

(52) **U.S. Cl.**
USPC **D26/119**

(58) **Field of Classification Search**
USPC D26/24, 63, 72, 76, 77, 78, 81, 88, 90,
D26/118, 119; 362/185

CPC F21V 15/00; F21V 15/01; F21V 15/02;
F21V 15/04; F21V 1/02; F21V 1/04;
F21V 1/08; F21V 29/506; F21V 29/507;
F21V 31/00; F21S 8/03; F21S 8/04; F21S
8/06; F21S 8/033; F21S 8/036; F21S
8/043; F21S 8/061; F21S 8/086; F21S
9/022; F21W 2131/10; F21W 2131/40;
F21W 2131/101; F21W 2131/103; F21W
2131/105; F21W 2131/107; F21W
2131/402; F21W 2131/407; F21W
2131/409; F21W 2131/1005

See application file for complete search history.

(56) **References Cited**

U.S. PATENT DOCUMENTS

D251,751 S * 5/1979 Lawrence D26/119
D331,634 S * 12/1992 Browne D26/119

D535,422 S * 1/2007 Mier-Langner D26/61
D653,795 S * 2/2012 Guercio D26/89
D828,584 S * 9/2018 Yu D26/2
D855,872 S * 8/2019 Lan D26/119
D858,863 S * 9/2019 Deng D26/119
D868,334 S * 11/2019 Li D26/72
D883,561 S * 5/2020 Romano D26/119
D888,320 S * 6/2020 Brannon D26/89
D914,935 S * 3/2021 Deng D26/41
D923,861 S * 6/2021 Hagggar D26/119
2011/0280021 A1 * 11/2011 Pollack, Jr. F21V 29/83
362/294
2012/0195041 A1 * 8/2012 Fletcher F21V 23/003
362/249.02
2019/0113217 A1 * 4/2019 Lan F21V 15/02
2019/0212005 A1 * 7/2019 Lan F21V 21/30

* cited by examiner

Primary Examiner — Clint A Samuel

(57) **CLAIM**

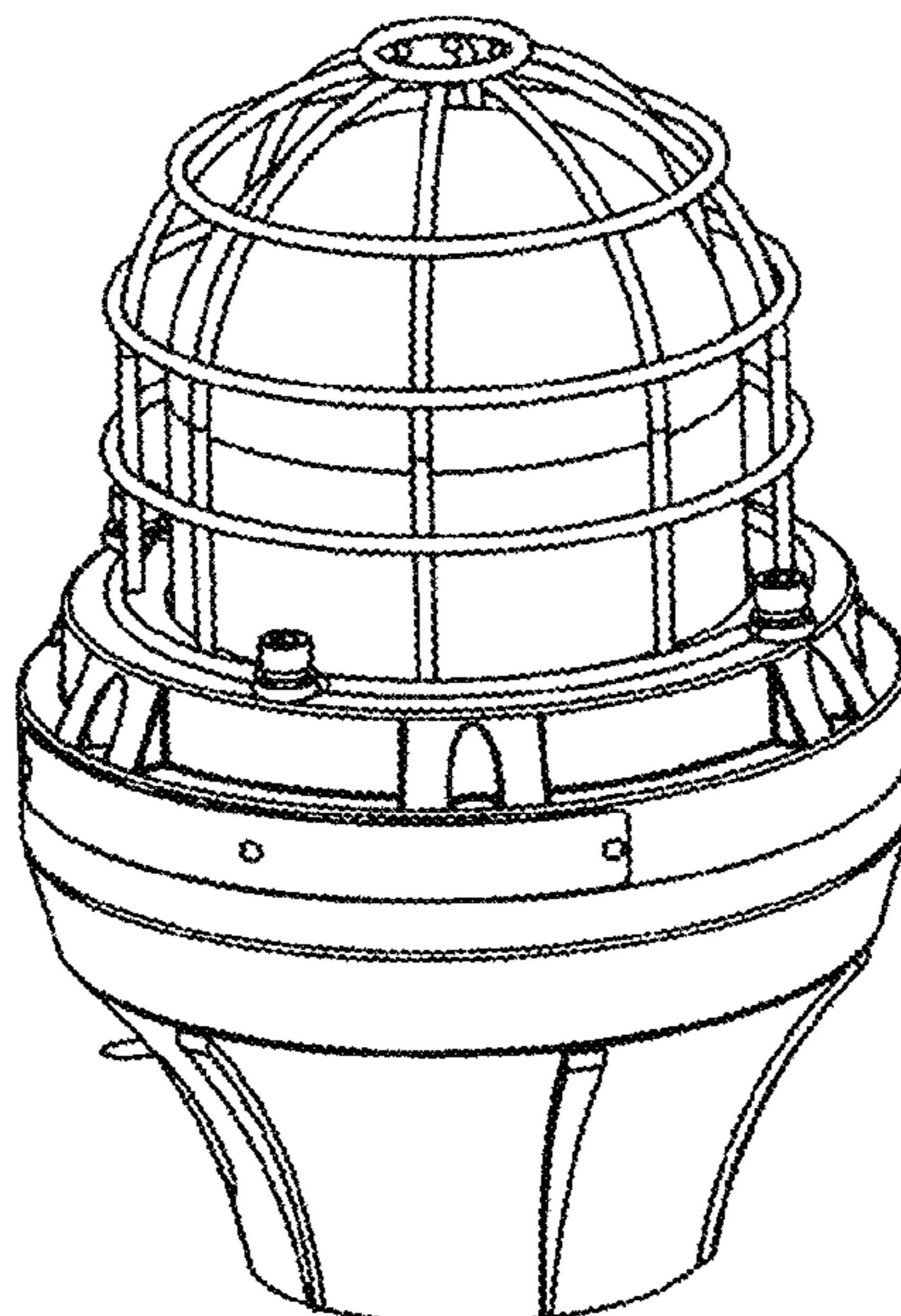
The ornamental design for an explosion-proof lamp, as shoe
and described.

DESCRIPTION

FIG. 1 is a perspective view of an explosion-proof lamp
showing my new design;
FIG. 2 is a front elevation view thereof;
FIG. 3 is a rear elevation view thereof;
FIG. 4 is a left side elevation view thereof;
FIG. 5 is a right side elevation view thereof;
FIG. 6 is a top plan view thereof; and,
FIG. 7 is a bottom plan view thereof.

The broken lines depict portions of the explosion-proof lamp
in which the design is embodied that form no part of the
claimed design.

1 Claim, 7 Drawing Sheets



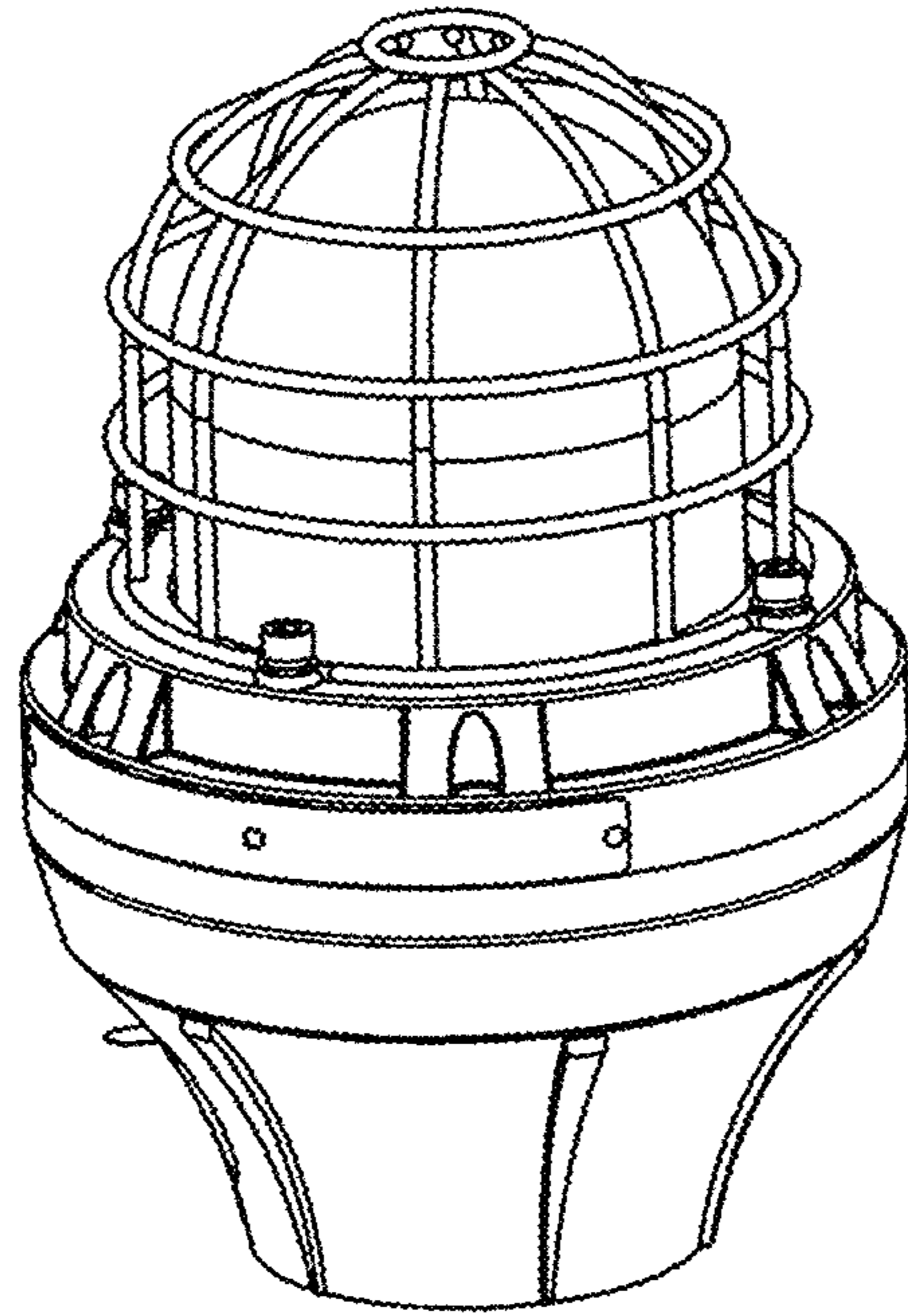


FIG. 1

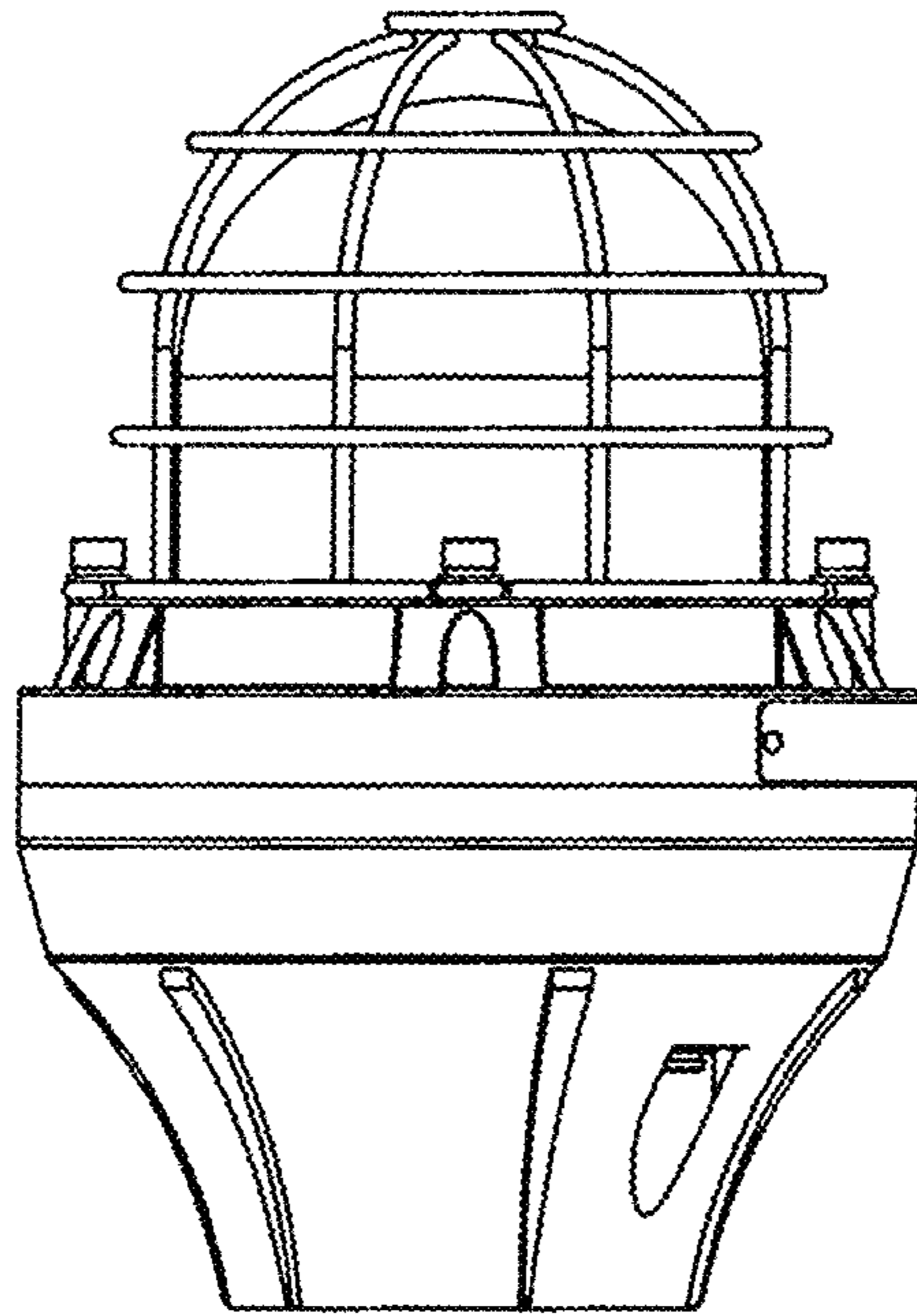


FIG. 2

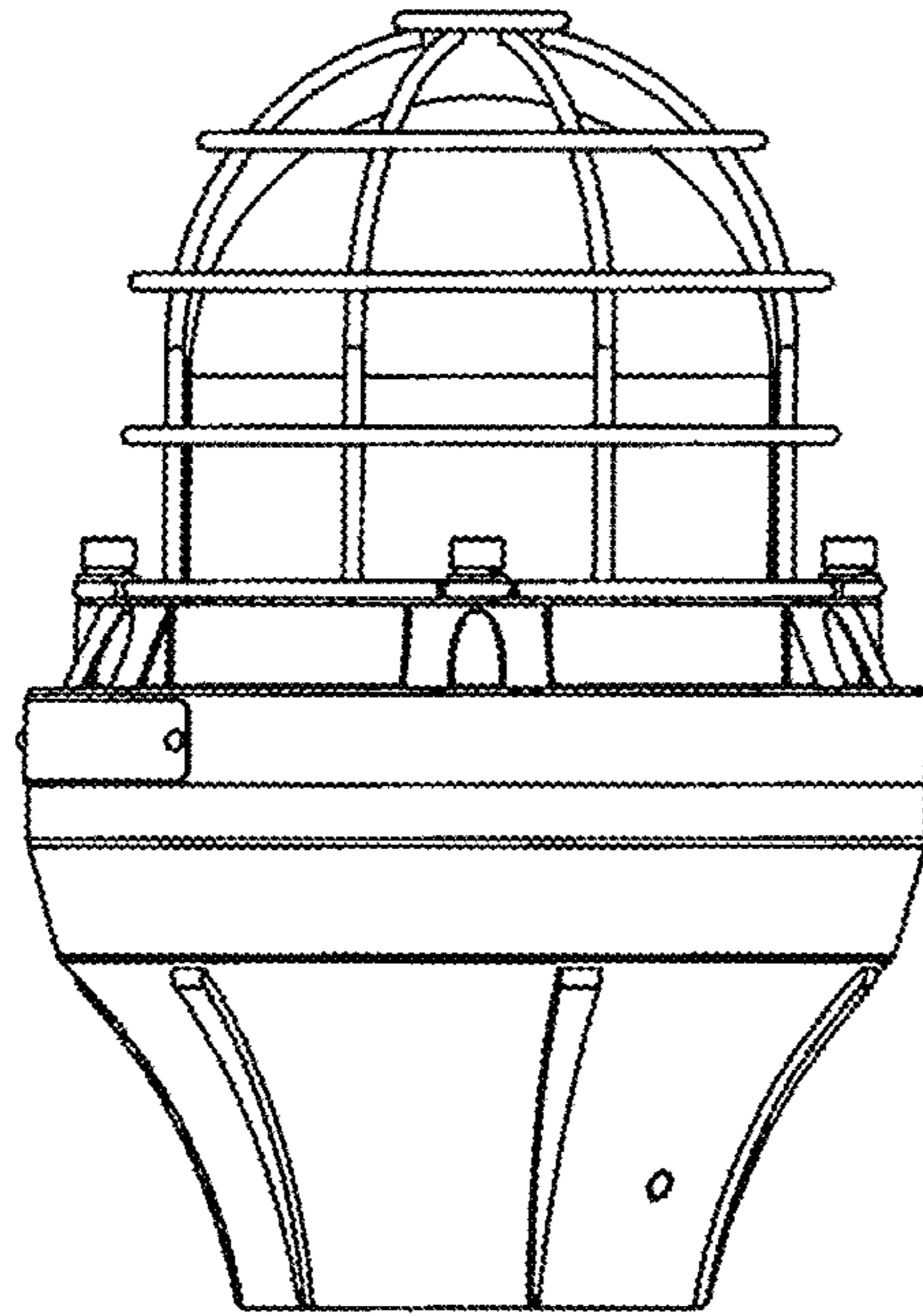


FIG. 3

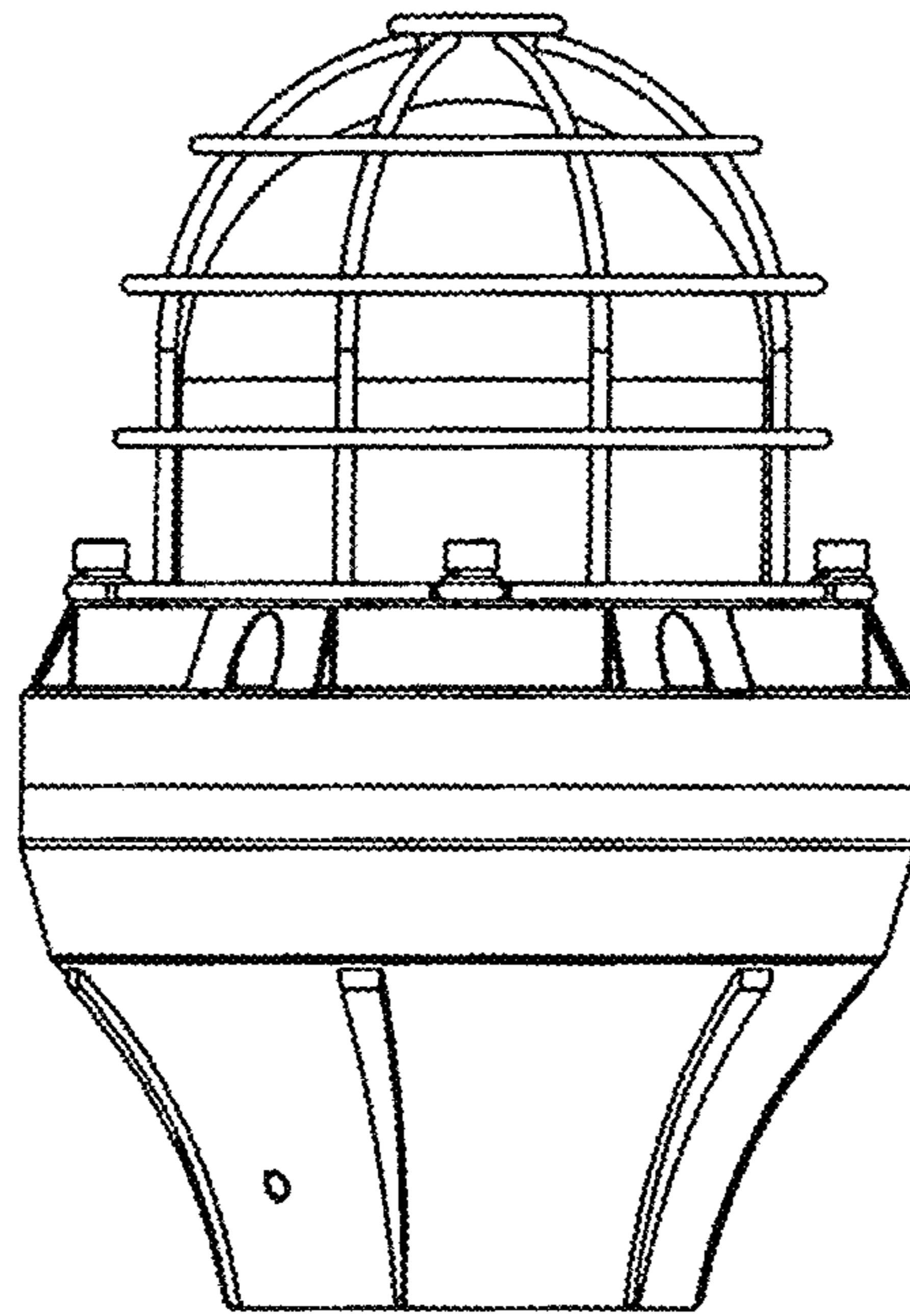


FIG. 4

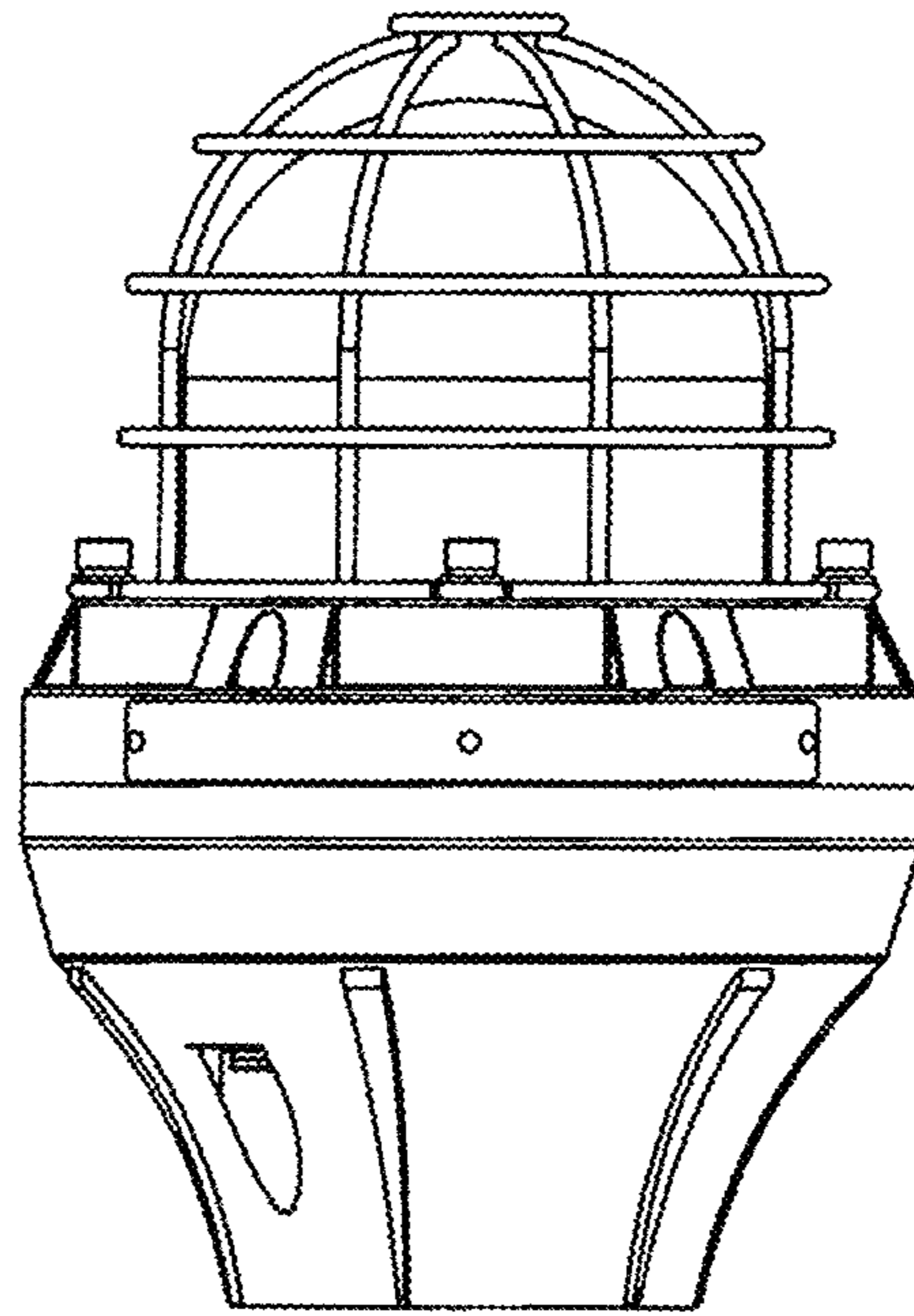


FIG. 5

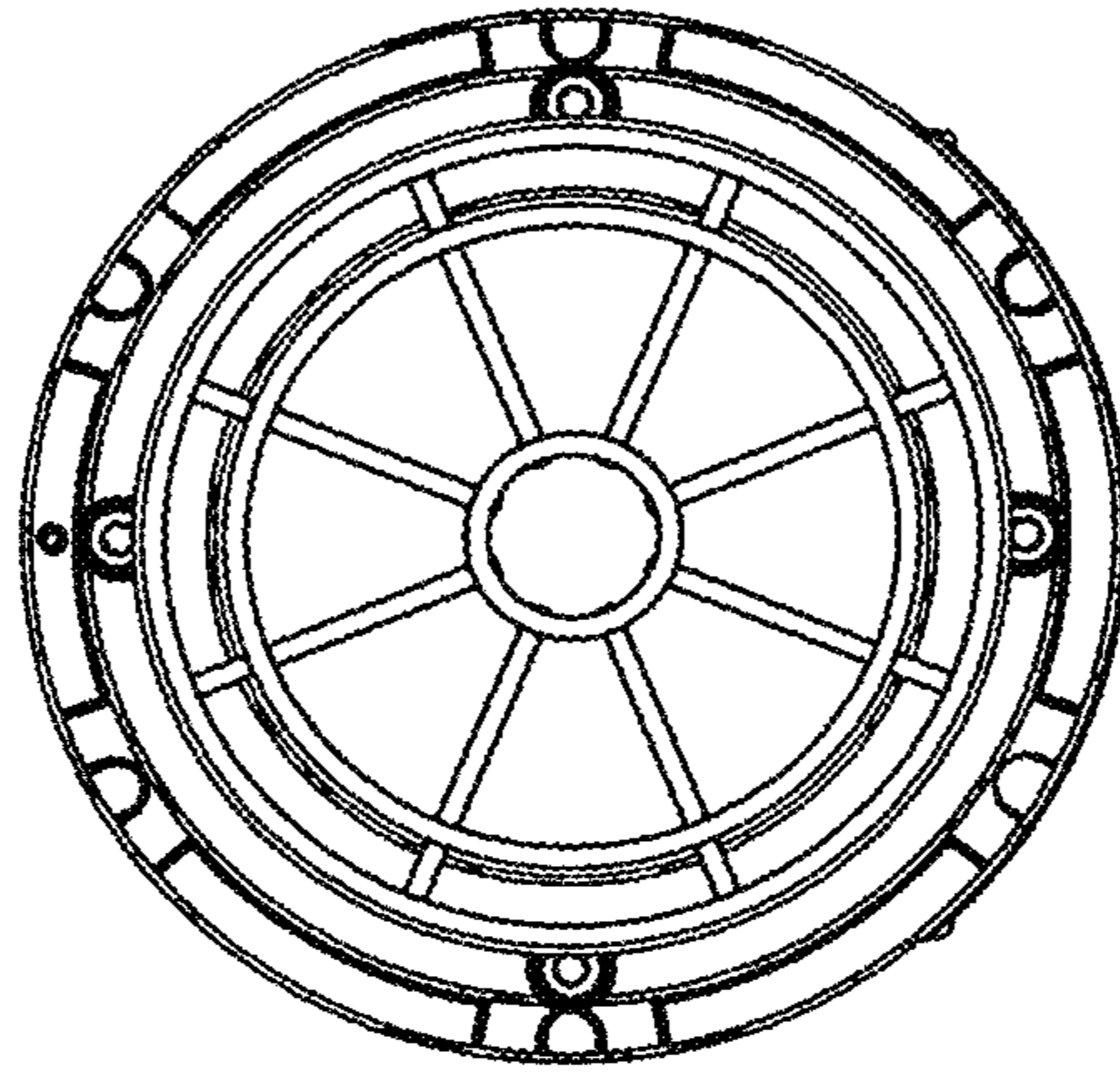


FIG. 6

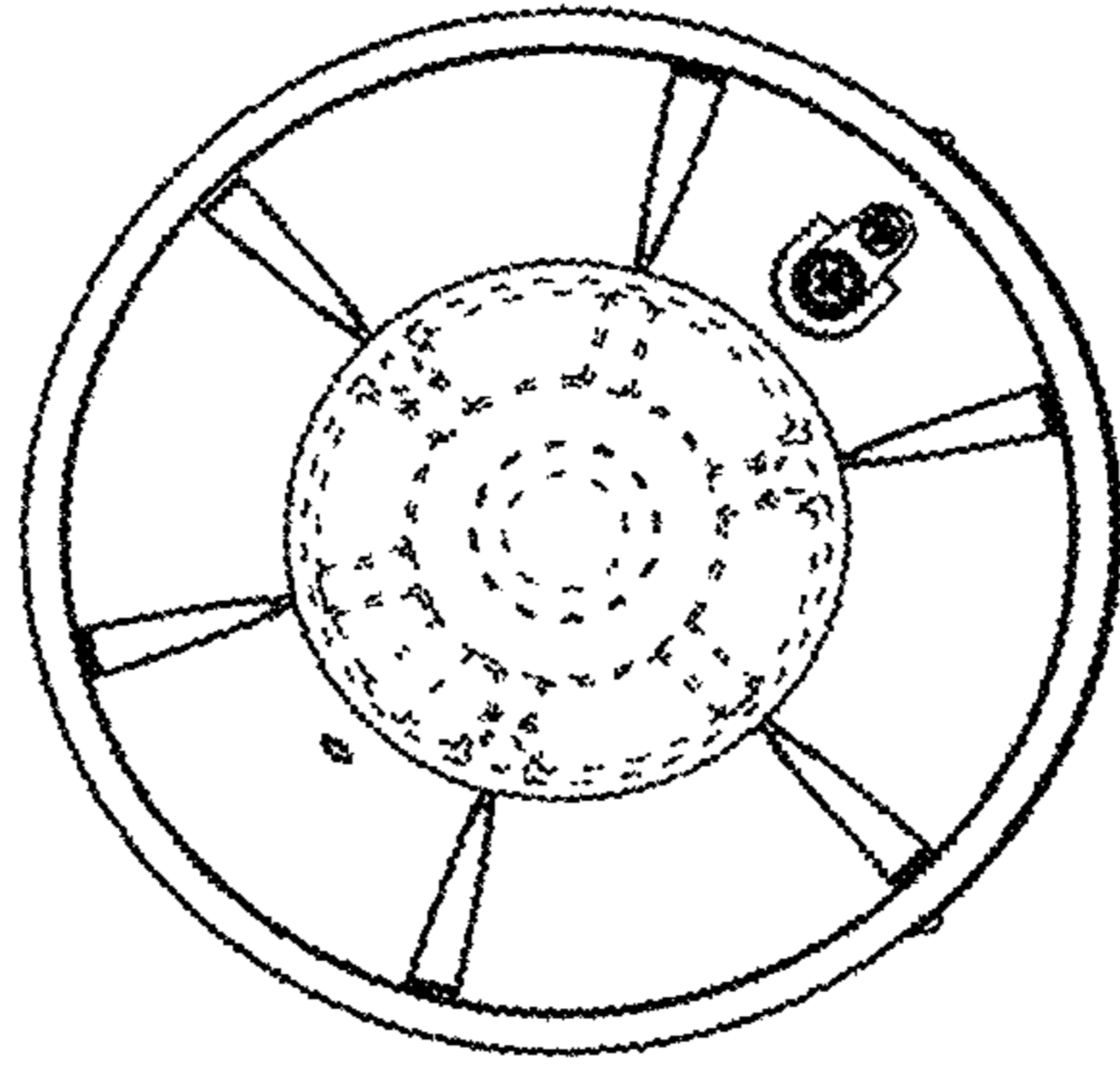


FIG. 7