



US00D956340S

(12) **United States Design Patent** (10) **Patent No.:** **US D956,340 S**  
**Möller et al.** (45) **Date of Patent:** **\*\* Jun. 28, 2022**

(54) **HEADLIGHT**

(56) **References Cited**

(71) Applicant: **ARNOLD & RICHTER CINE  
TECHNIK GMBH & CO.  
BETRIEBS KG, Munich (DE)**  
(72) Inventors: **Andreas Möller, Munich (DE);  
Johannes Huttner, Munich (DE);  
Alexander Freudenberg, Munich (DE)**  
(73) Assignee: **ARNOLD & RICHTER CINE  
TECHNIK GMBH & CO.  
BETRIEBS KG, Munich (DE)**  
(\*\*) Term: **15 Years**  
(21) Appl. No.: **29/806,048**  
(22) Filed: **Aug. 31, 2021**

U.S. PATENT DOCUMENTS

4,617,615 A	10/1986	Eychaner
D308,110 S	5/1990	Ziaylek
D315,417 S	3/1991	Ziaylek
6,655,813 B1	12/2003	Ng
D532,542 S	11/2006	Yuen
D555,822 S	11/2007	Ward
D574,541 S	8/2008	Matsumoto
D586,945 S	2/2009	Huang
D651,738 S	1/2012	Guercio
D685,519 S	7/2013	Teranishi
D686,773 S	7/2013	Tseng
D691,316 S	10/2013	Rashidi
D691,317 S	10/2013	Rashidi
D692,172 S	10/2013	Rashidi
D692,173 S	10/2013	Rashidi
D692,174 S	10/2013	Rashidi
D692,175 S	10/2013	Rashidi

(Continued)

**Related U.S. Application Data**

(62) Division of application No. 29/727,378, filed on Mar. 10, 2020.

*Primary Examiner* — Wan Laymon

*Assistant Examiner* — Clint A Samuel

(74) *Attorney, Agent, or Firm* — Maschoff Brennan

(30) **Foreign Application Priority Data**

Sep. 10, 2019 (EM) ..... 006852950

(51) **LOC (13) Cl.** ..... **26-05**

(52) **U.S. Cl.**  
USPC ..... **D26/118**

(58) **Field of Classification Search**  
USPC ..... D26/24, 28, 36, 40, 46, 49, 63, 97, 118,  
D26/120

CPC ..... F21S 8/00; F21S 8/02; F21S 8/022; F21S  
8/026; F21S 8/033; F21S 43/00; F21S  
43/14; F21S 43/19; F21S 43/20; F21S  
41/00; F21S 41/19; F21S 41/141; F21V  
3/00; F21V 3/02; F21V 3/049; F21V  
7/00; F21V 7/04; F21V 7/043; F21V  
5/04; F21V 5/05

See application file for complete search history.

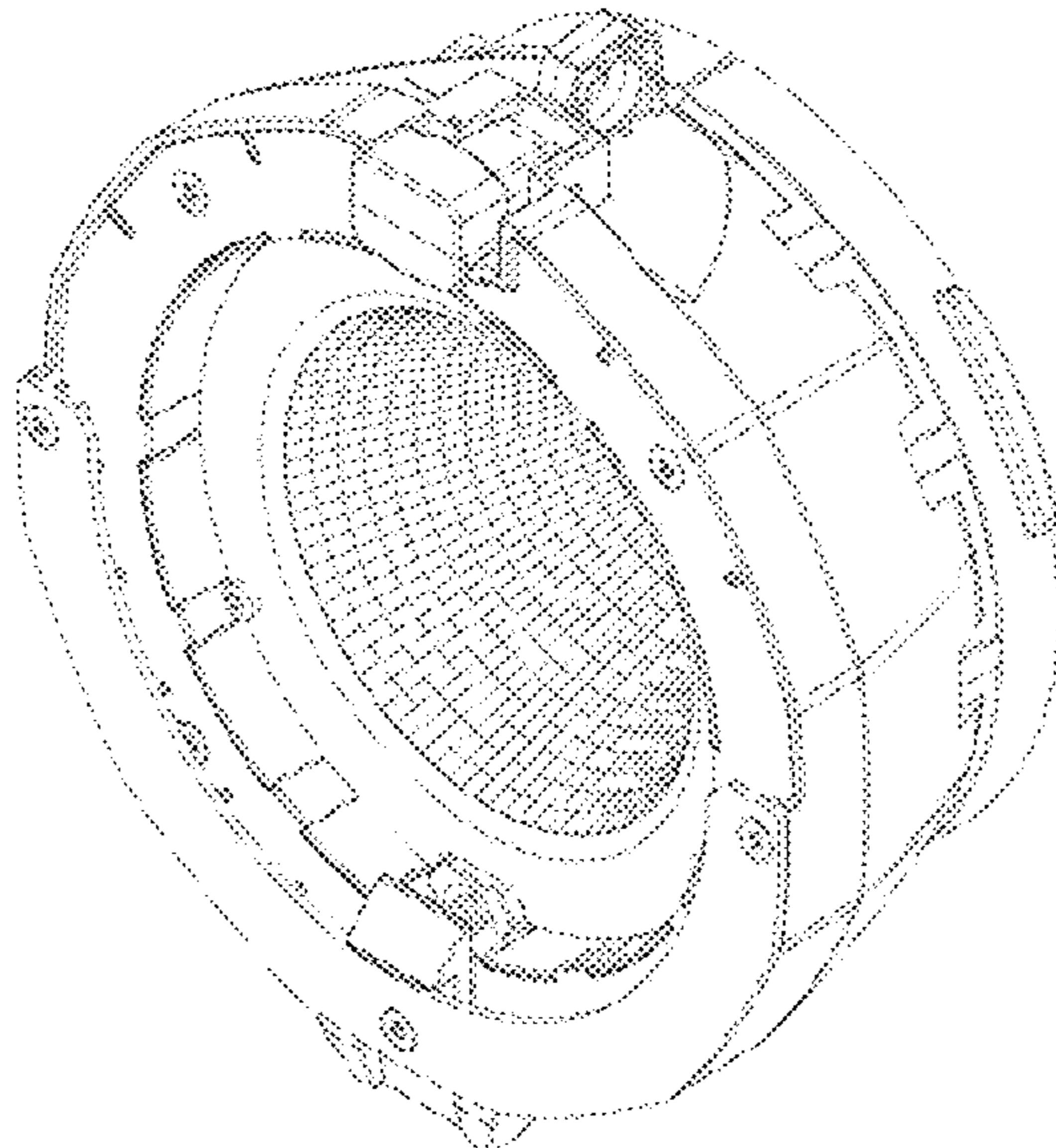
(57) **CLAIM**

We claim the ornamental design for a headlight, as shown and described.

**DESCRIPTION**

FIG. 1 is an upper front left-side perspective view of a headlight according to the design;  
FIG. 2 is a rear view thereof;  
FIG. 3 is a left-side view thereof;  
FIG. 4 is a top view thereof;  
FIG. 5 is a bottom view thereof;  
FIG. 6 is a front view thereof;  
FIG. 7 is a right-side view thereof; and,  
FIG. 8 is a lower back left-side perspective view thereof.

**1 Claim, 3 Drawing Sheets**



(56)

**References Cited**

U.S. PATENT DOCUMENTS

D693,043	S	11/2013	Schmalfuss	
D695,948	S	12/2013	Sabernig	
D696,452	S	12/2013	Gordin	
D707,876	S	6/2014	Reed	
D710,047	S	7/2014	Hildebrandt	
D711,569	S	8/2014	Wu	
D711,570	S	8/2014	Wu	
D726,949	S	4/2015	Redfern	
D735,908	S	8/2015	Ko	
D736,430	S	8/2015	Ko	
D739,577	S	9/2015	Kani	
D786,472	S	5/2017	Redfern	
D801,574	S	10/2017	Amato	
D808,058	S	1/2018	Johnson	
D810,345	S	2/2018	Redfern	
D827,883	S	9/2018	Deyaf	
D854,725	S	7/2019	Goetz-Schaefer	
D869,704	S	12/2019	Wu	
D874,045	S	1/2020	Rashidi	
D880,049	S	3/2020	Guercio	
D886,343	S	6/2020	Chen	
D887,065	S	6/2020	Speier	
D891,686	S	7/2020	Duckworth	
D897,012	S	9/2020	Chen	
D934,467	S *	10/2021	Hu .....	D26/28
2013/0051006	A1	2/2013	Speidel	
2016/0186967	A1	6/2016	Mathews	
2021/0199268	A1 *	7/2021	Xue .....	F21V 5/045

\* cited by examiner

FIG. 1

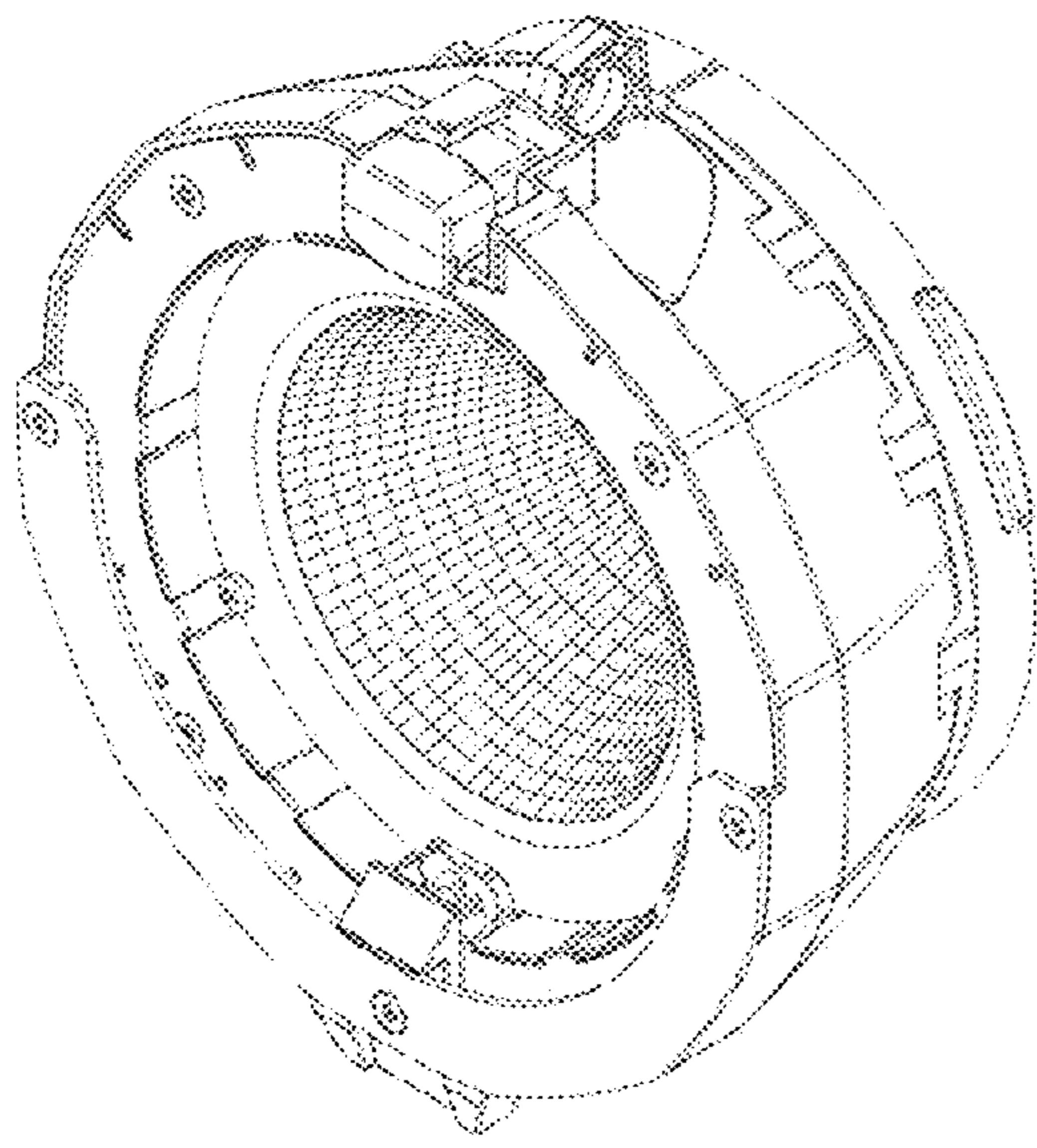


FIG. 2

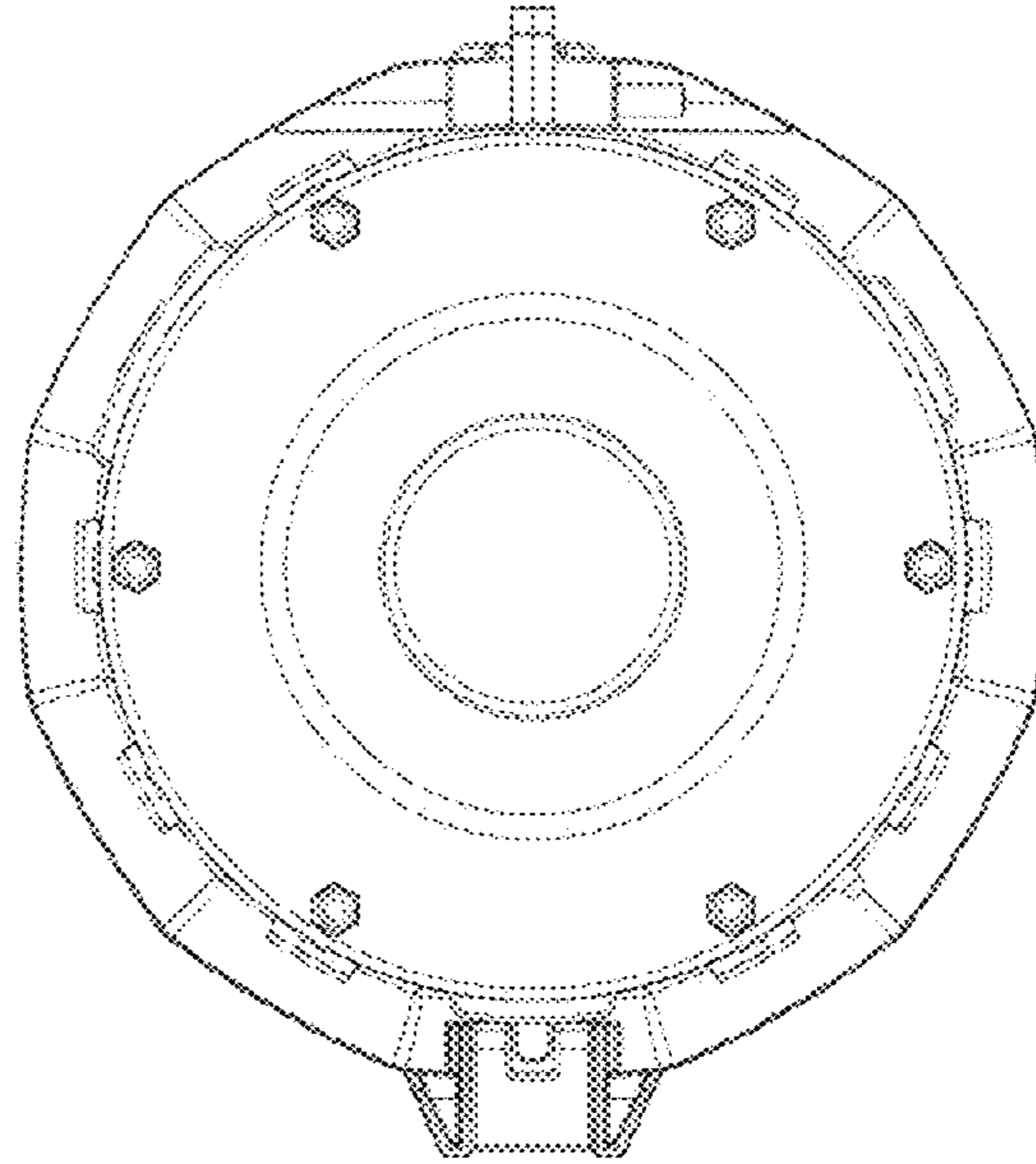


FIG. 3

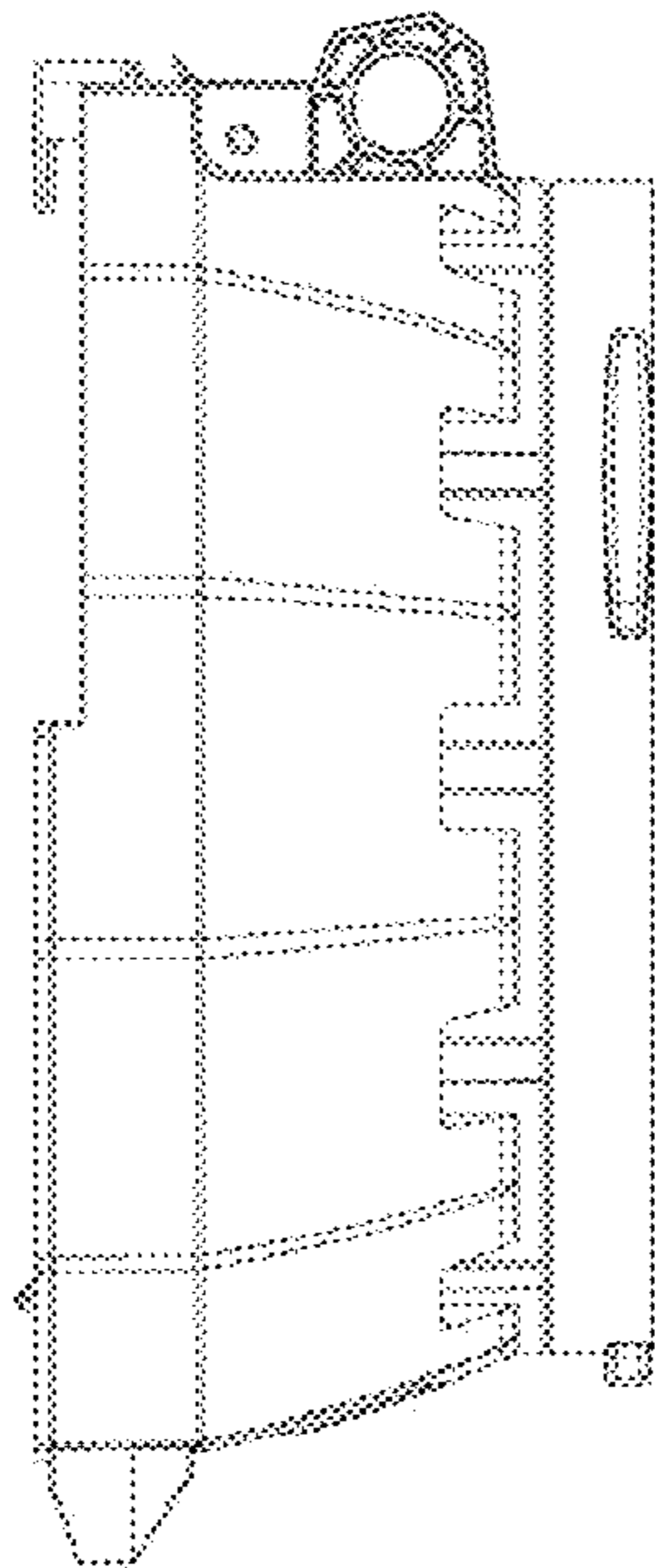


FIG. 4

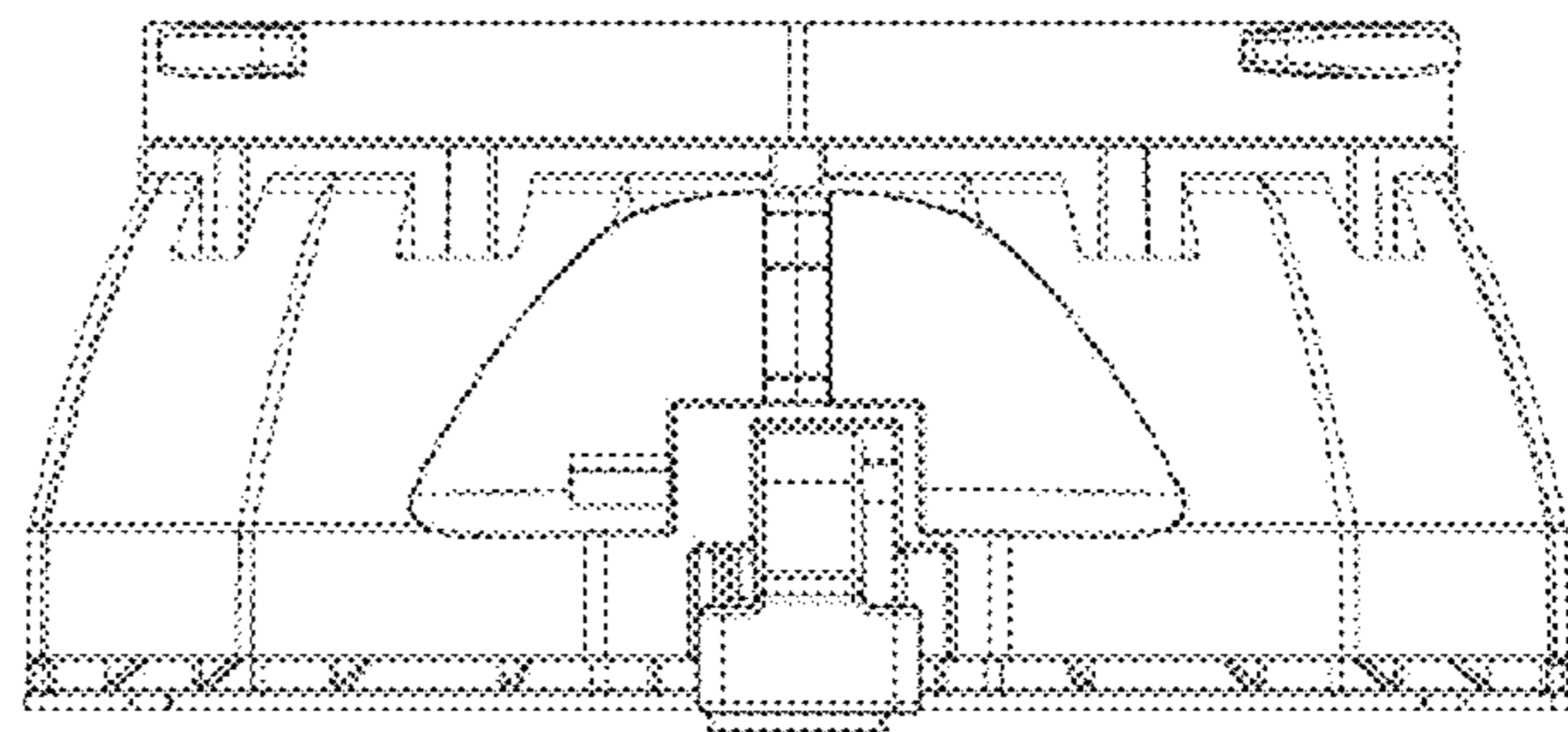


FIG. 5

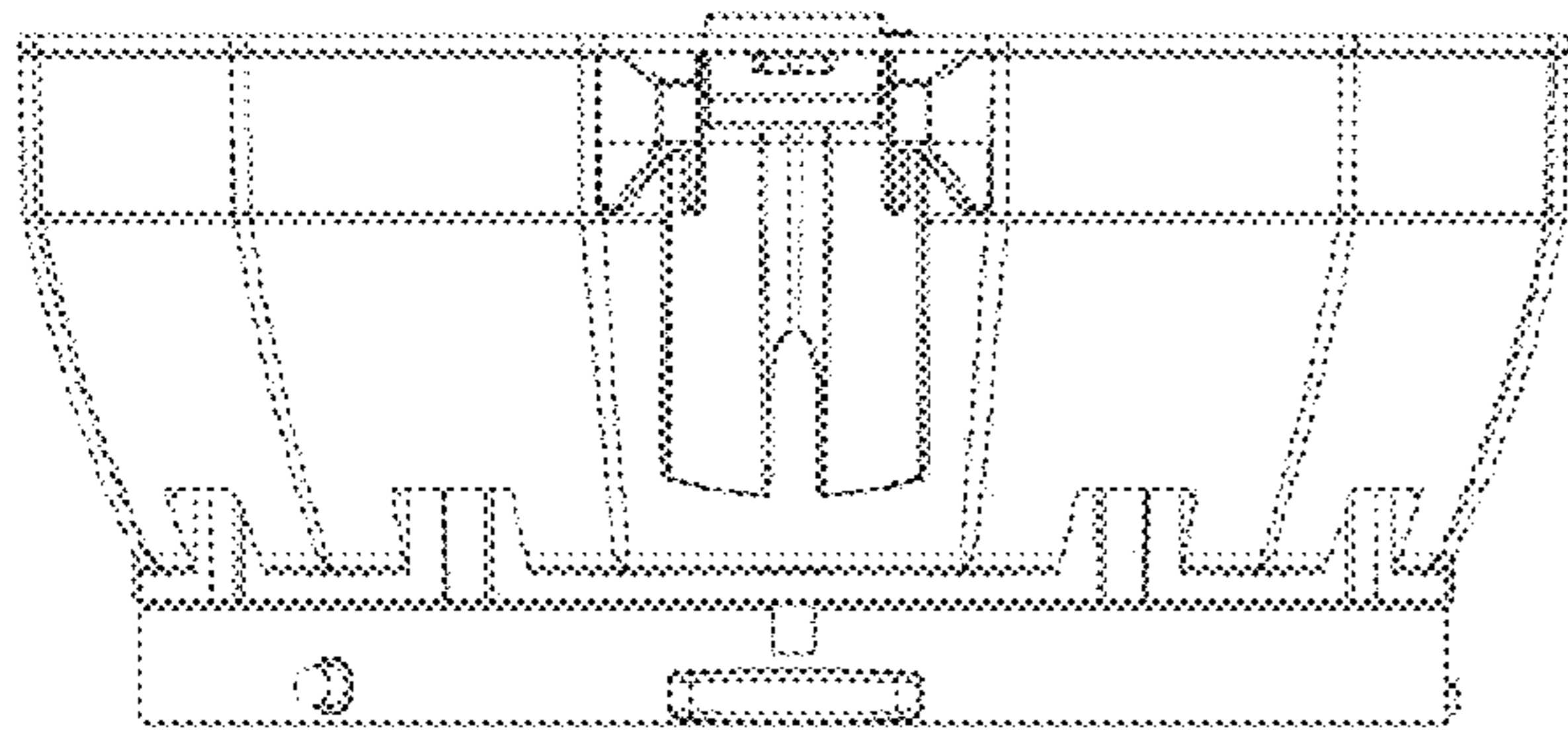


FIG. 6

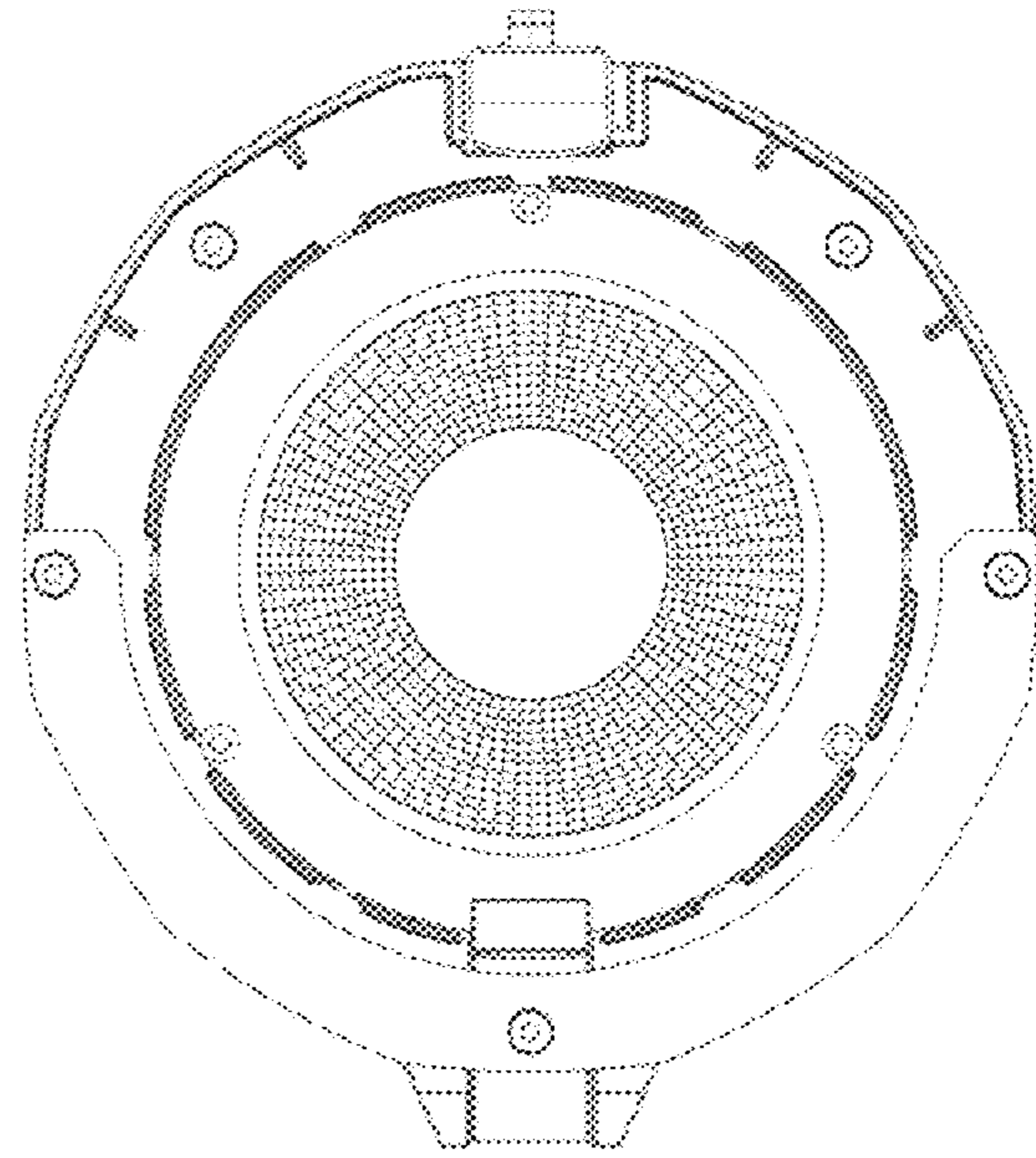


FIG. 7

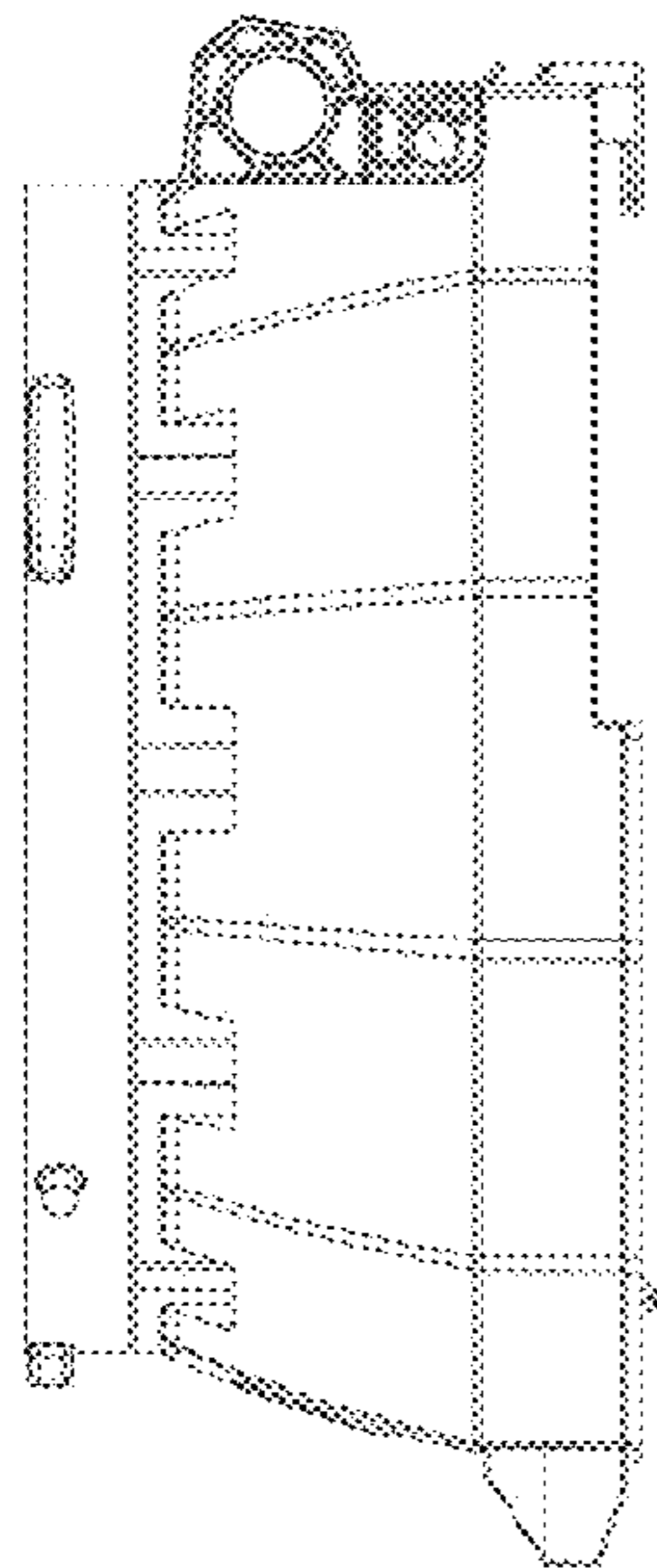


FIG. 8

