



US00D956338S

(12) **United States Design Patent**  
**Cao et al.**

(10) **Patent No.:** **US D956,338 S**  
(45) **Date of Patent:** **\*\* Jun. 28, 2022**

- (54) **LED GROW LIGHT**
- (71) Applicant: **LUMLUX CORP.**, Jiangsu (CN)
- (72) Inventors: **Bo Cao**, Jiangsu (CN); **Ming Qiu**, Jiangsu (CN); **Meilin Ding**, Jiangsu (CN)
- (73) Assignee: **LUMLUX CORP.**, Suzhou (CN)
- (\*\*) Term: **15 Years**

D814,682 S *	4/2018	Lu .....	D26/76
D870,344 S	12/2019	Chen	
D877,964 S *	3/2020	Antony .....	D26/118
D890,408 S *	7/2020	Deng .....	D26/118
D894,470 S *	8/2020	Reynolds .....	D26/118
D895,891 S *	9/2020	Reynolds .....	D26/118
D897,029 S *	9/2020	Stanley .....	D26/118
D910,222 S *	2/2021	Zhang .....	D26/72
D919,157 S *	5/2021	Wu .....	D26/76
D922,667 S *	6/2021	Hu .....	D26/118
D925,105 S *	7/2021	Johnson .....	D26/118
D927,760 S *	8/2021	Cao .....	D26/76
D927,770 S *	8/2021	Hu .....	D26/118

(Continued)

- (21) Appl. No.: **29/758,365**
- (22) Filed: **Nov. 13, 2020**
- (51) **LOC (13) Cl.** ..... **26-05**
- (52) **U.S. Cl.**  
USPC ..... **D26/118**
- (58) **Field of Classification Search**  
USPC ..... D26/24, 72, 76-78, 80, 88, 118, 120  
CPC ..... F21S 8/04; F21S 8/06; F21S 8/026; F21S 8/043; F21S 4/00; F21S 4/28; F21V 21/02; F21V 21/04; F21V 29/70; F21V 29/74; F21V 29/673; F21V 29/745; F21V 15/01; F21Y 2105/00; F21Y 2105/10; F21Y 2105/16  
See application file for complete search history.

*Primary Examiner* — Clint A Samuel

(74) *Attorney, Agent, or Firm* — Dragon Sun Law Firm, PC; Jinggao Li, Esq.

(57) **CLAIM**

The ornamental design for a LED grow light, as shown and described.

**DESCRIPTION**

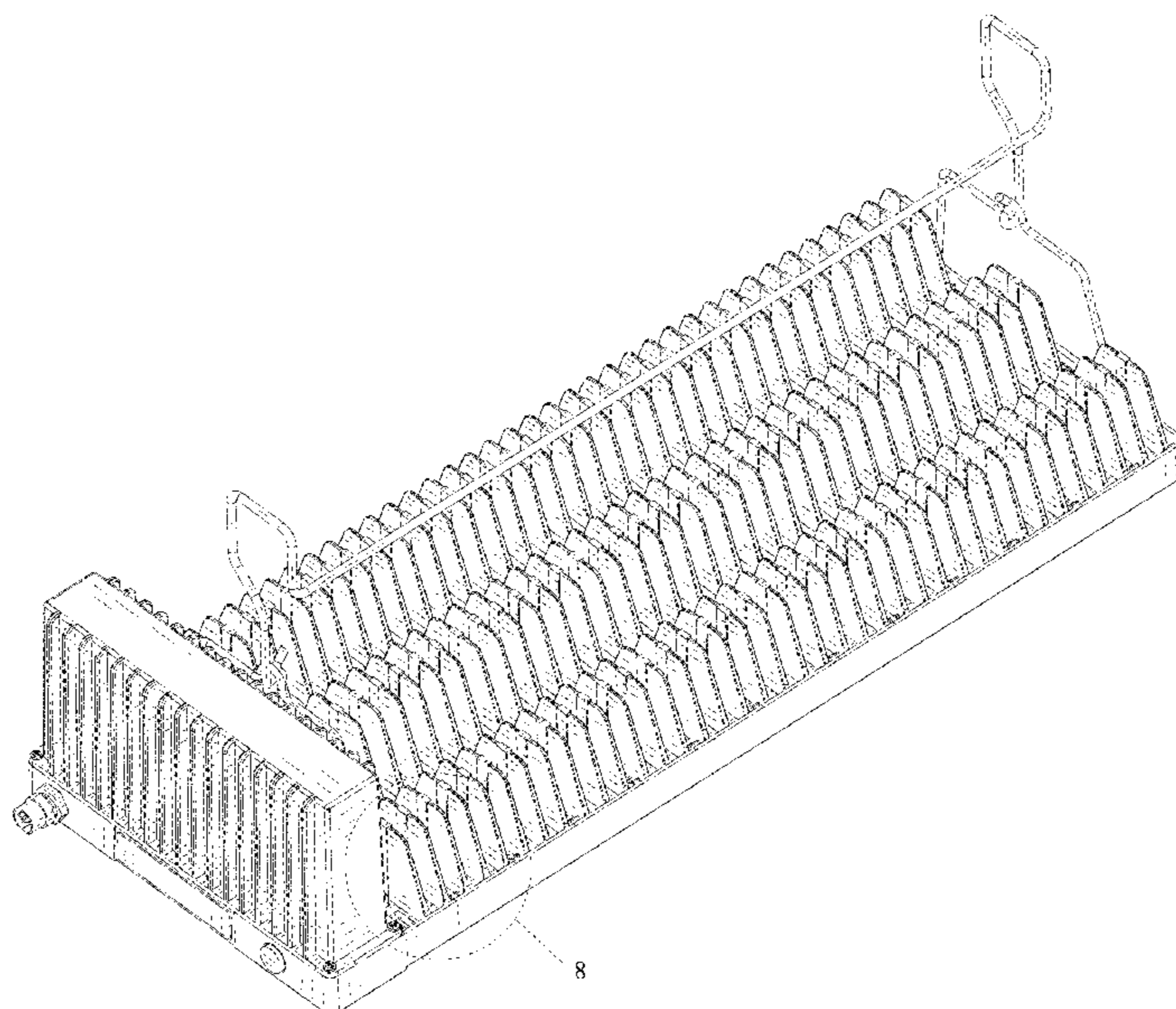
FIG. 1 is a perspective view of a LED grow light showing our new design;  
 FIG. 2 is a front view thereof;  
 FIG. 3 is a rear view thereof;  
 FIG. 4 is an enlarged left view thereof;  
 FIG. 5 is an enlarged right view thereof;  
 FIG. 6 is a bottom view thereof;  
 FIG. 7 is a top view thereof;  
 FIG. 8 is an enlarged view of the selected portion 8 in FIG. 1;  
 FIG. 9 is an enlarged view of the selected portion 9 in FIG. 7; and,  
 FIG. 10 is an enlarged view of the selected portion 10 in FIG. 6.  
 The broken lines shown in the figures depict portions of the LED grow light that form no part of the claimed design.

(56) **References Cited**

U.S. PATENT DOCUMENTS

D486,262 S *	2/2004	Chen .....	D26/77
D632,821 S	2/2011	Culbert	
D639,467 S	6/2011	Coplin et al.	
D667,968 S	9/2012	Shin et al.	
D751,751 S	3/2016	Lockart et al.	
D770,670 S *	11/2016	Reynolds .....	D26/118
D773,107 S *	11/2016	Stanley .....	D26/118
D783,887 S *	4/2017	Stanley .....	D26/118
D786,202 S	5/2017	Hodrinsky	
D809,702 S *	2/2018	Drew .....	D26/118
D811,646 S *	2/2018	Clark .....	D26/118

**1 Claim, 8 Drawing Sheets**



(56)

**References Cited**

U.S. PATENT DOCUMENTS

D932,090 S \* 9/2021 Amin ..... D26/118  
D933,876 S \* 10/2021 Lin ..... D26/118  
D936,269 S \* 11/2021 Shalvi ..... D26/76  
2018/0135848 A1\* 5/2018 Scribante ..... F21K 9/275  
2018/0142850 A1\* 5/2018 Chami ..... F21V 17/104  
2019/0285253 A1\* 9/2019 Amin ..... F21V 19/003

\* cited by examiner

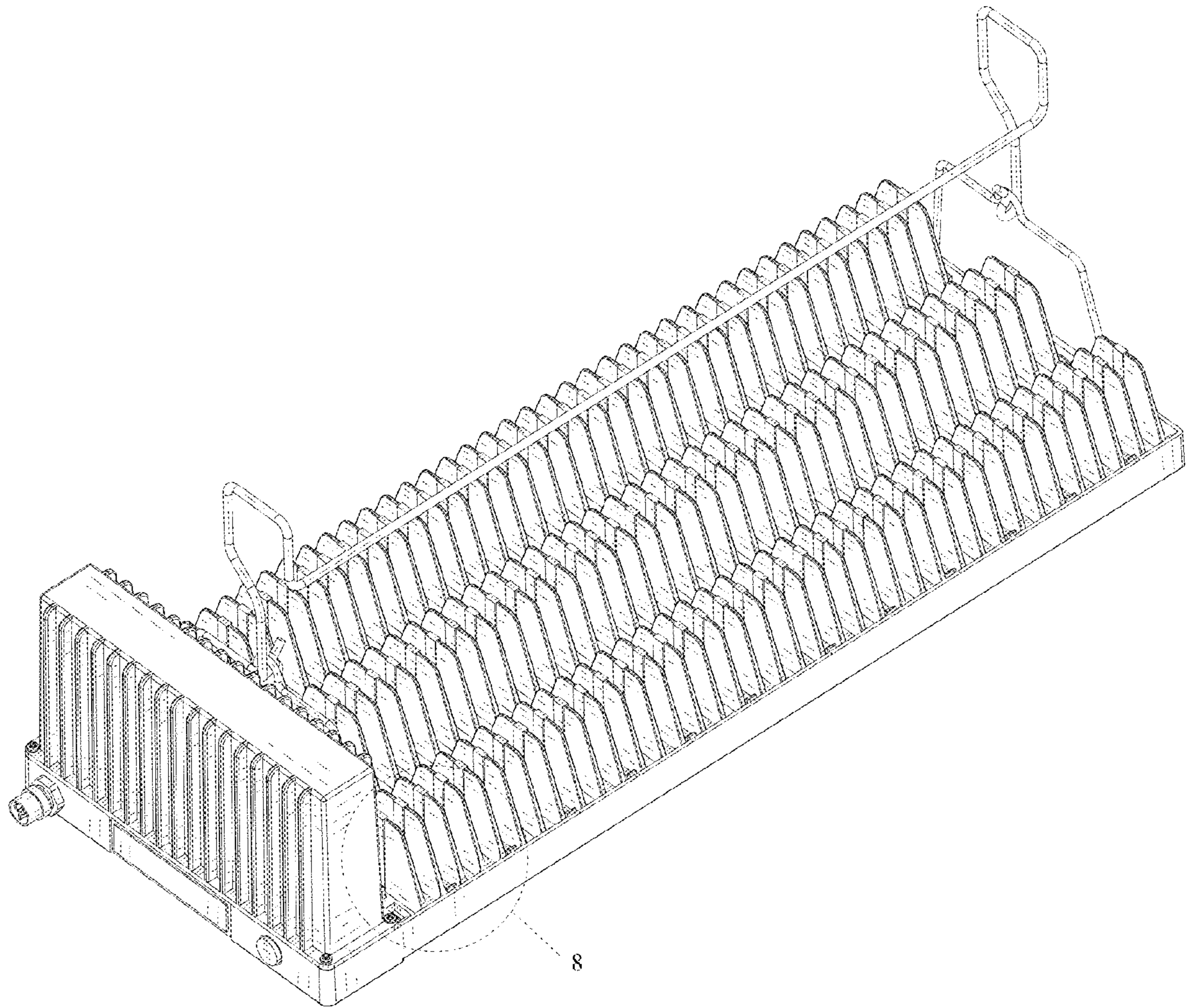


FIG. 1

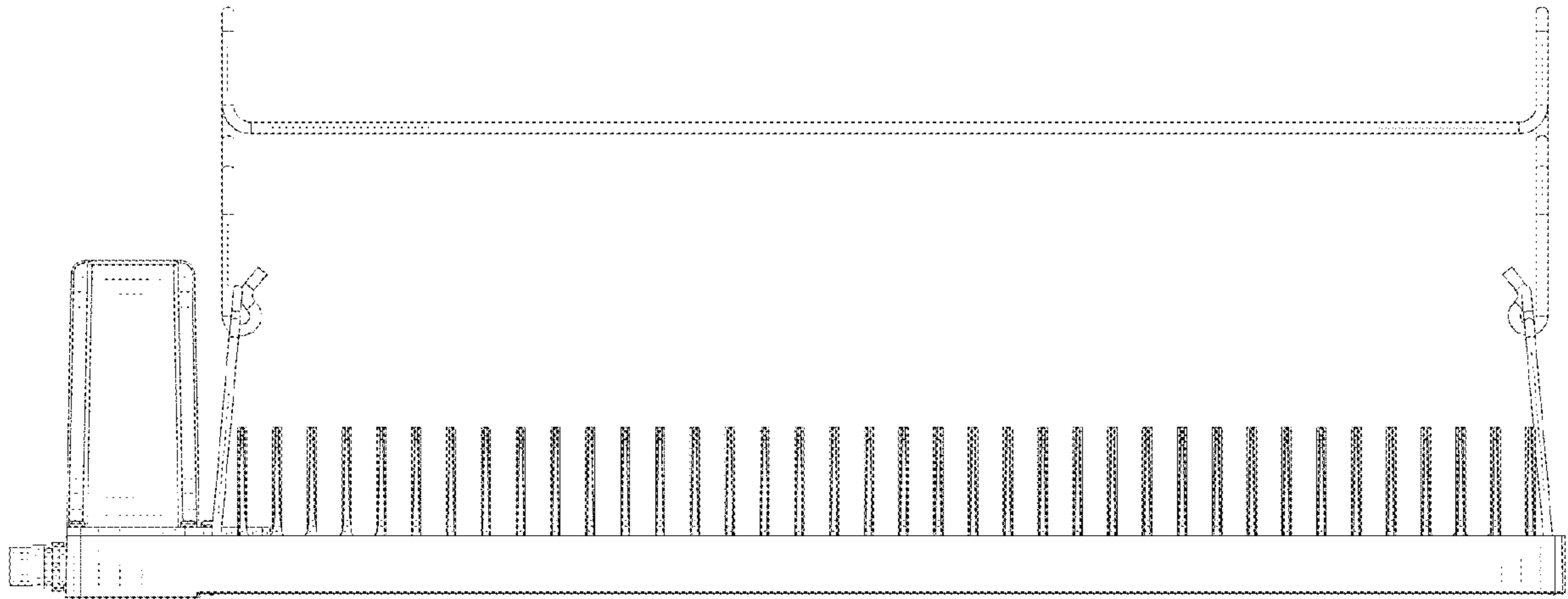


FIG. 2

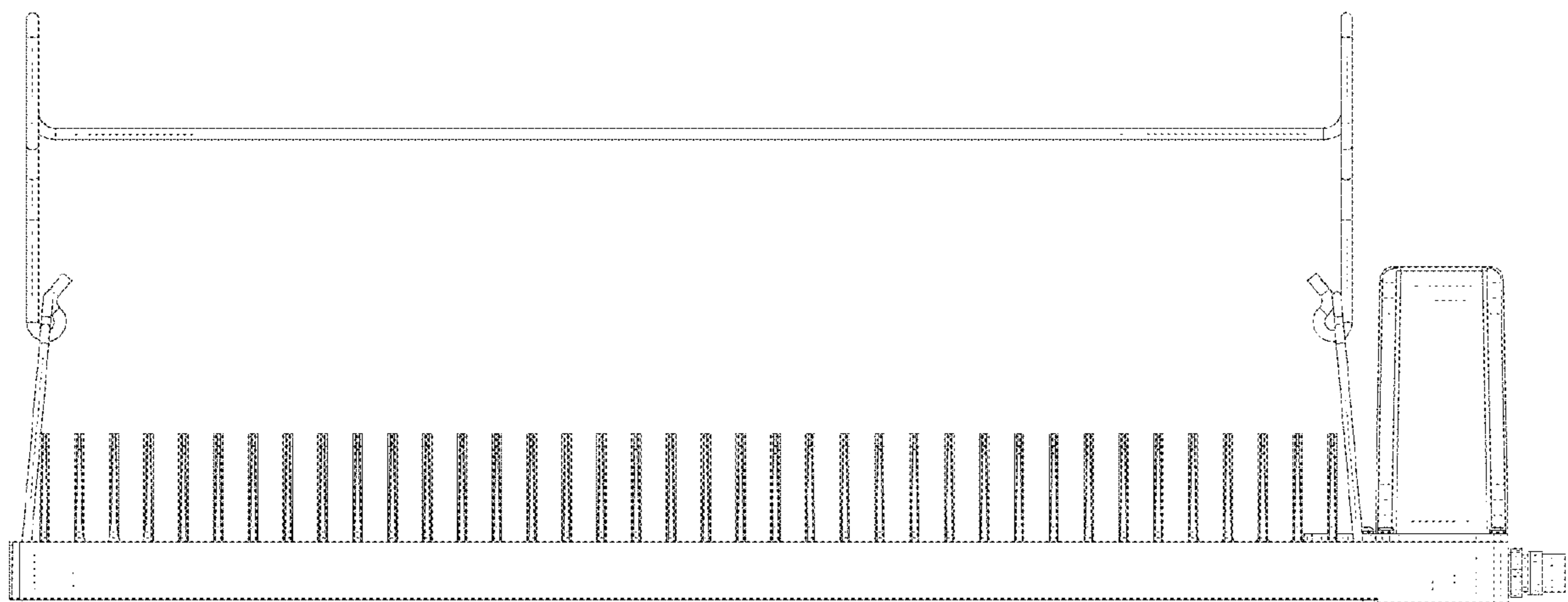


FIG. 3

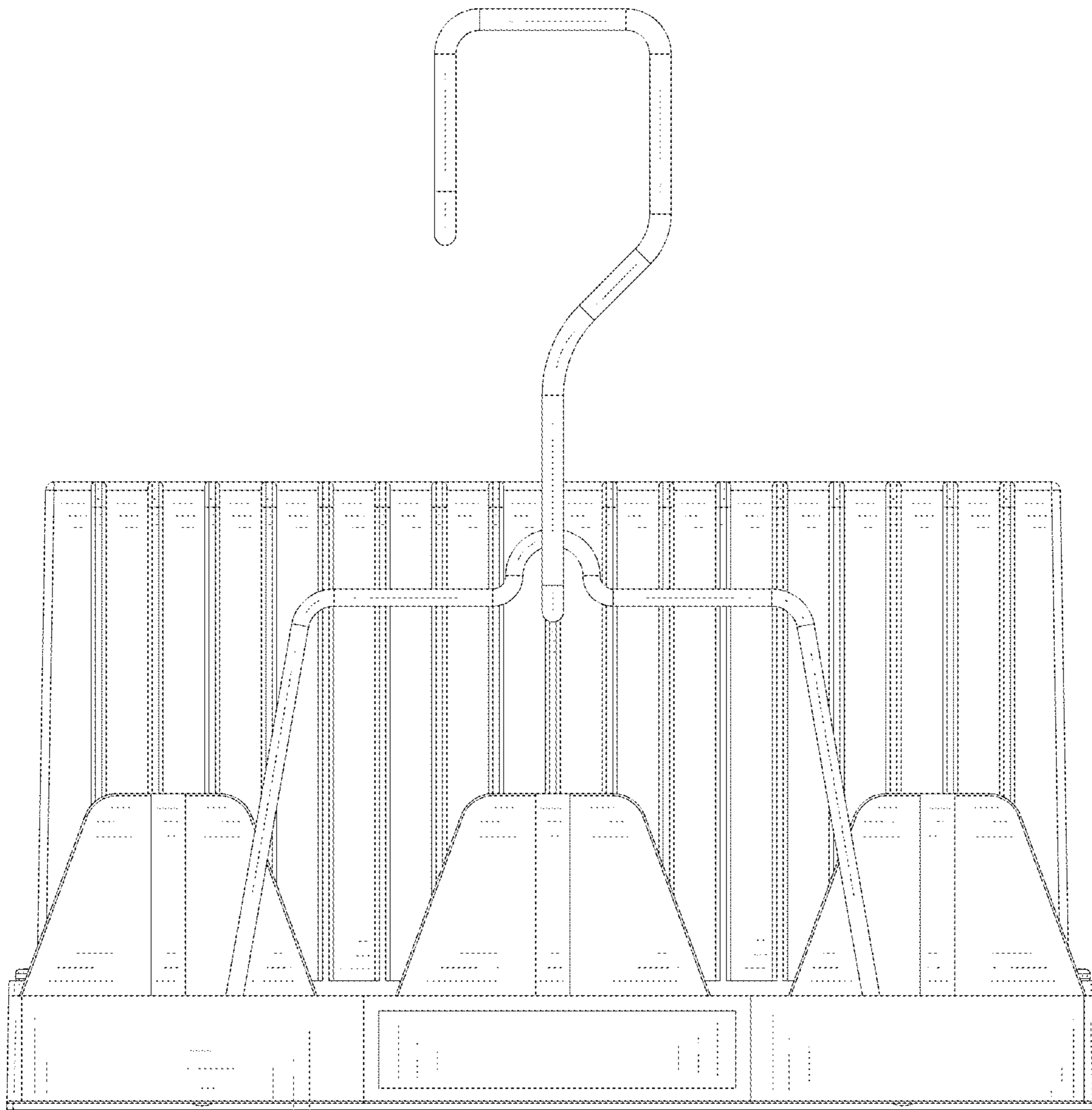


FIG. 4

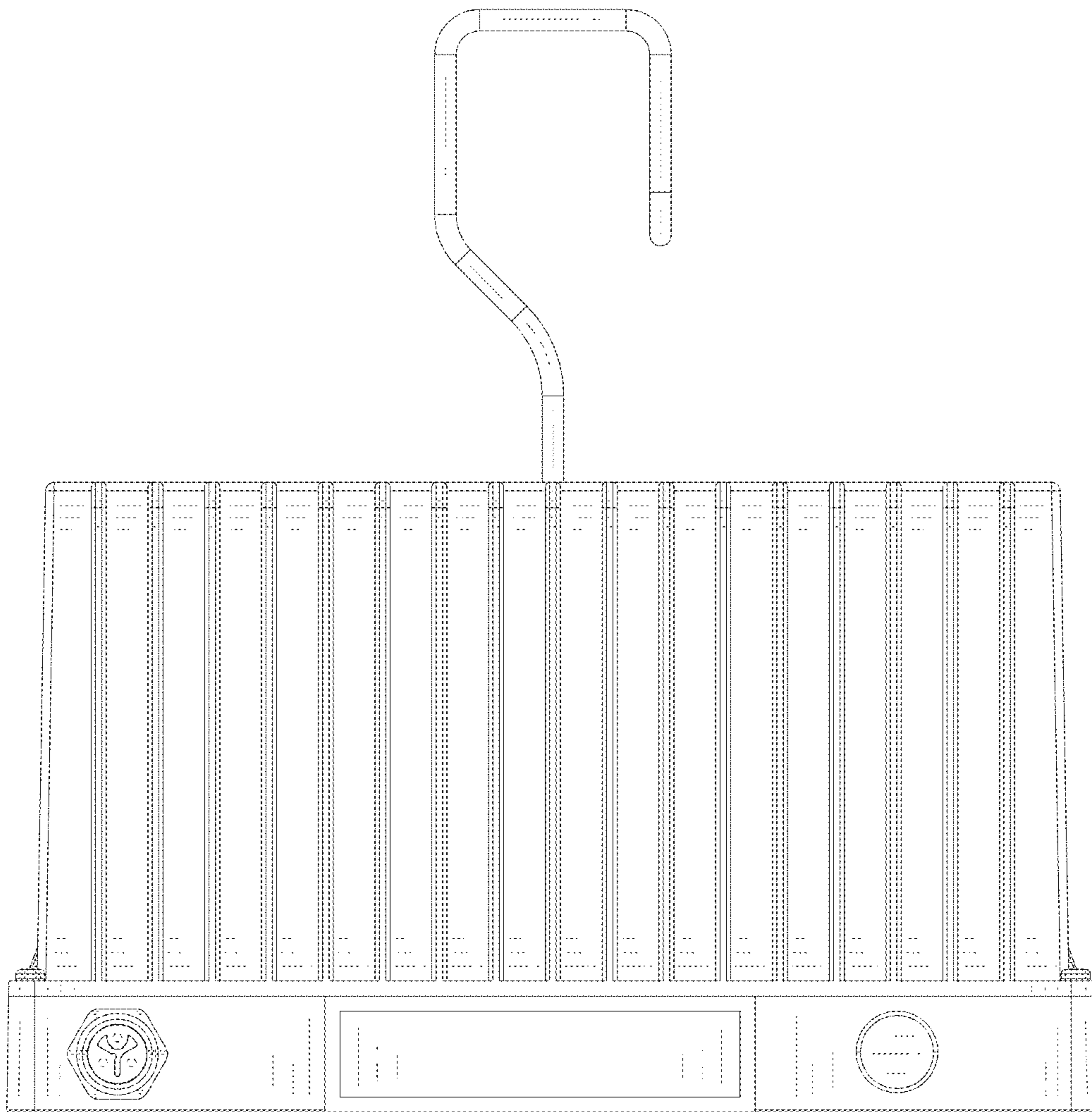


FIG. 5

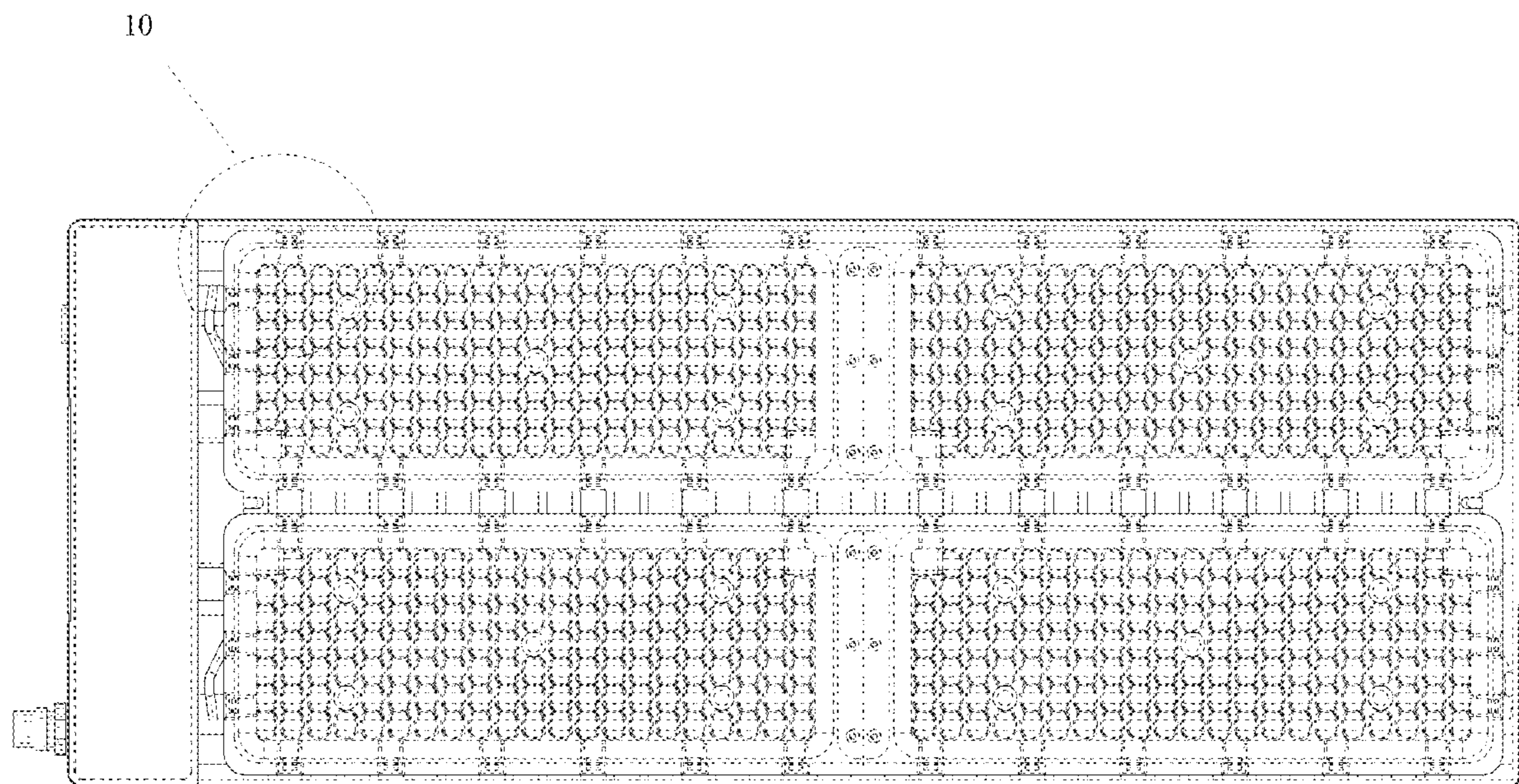


FIG. 6

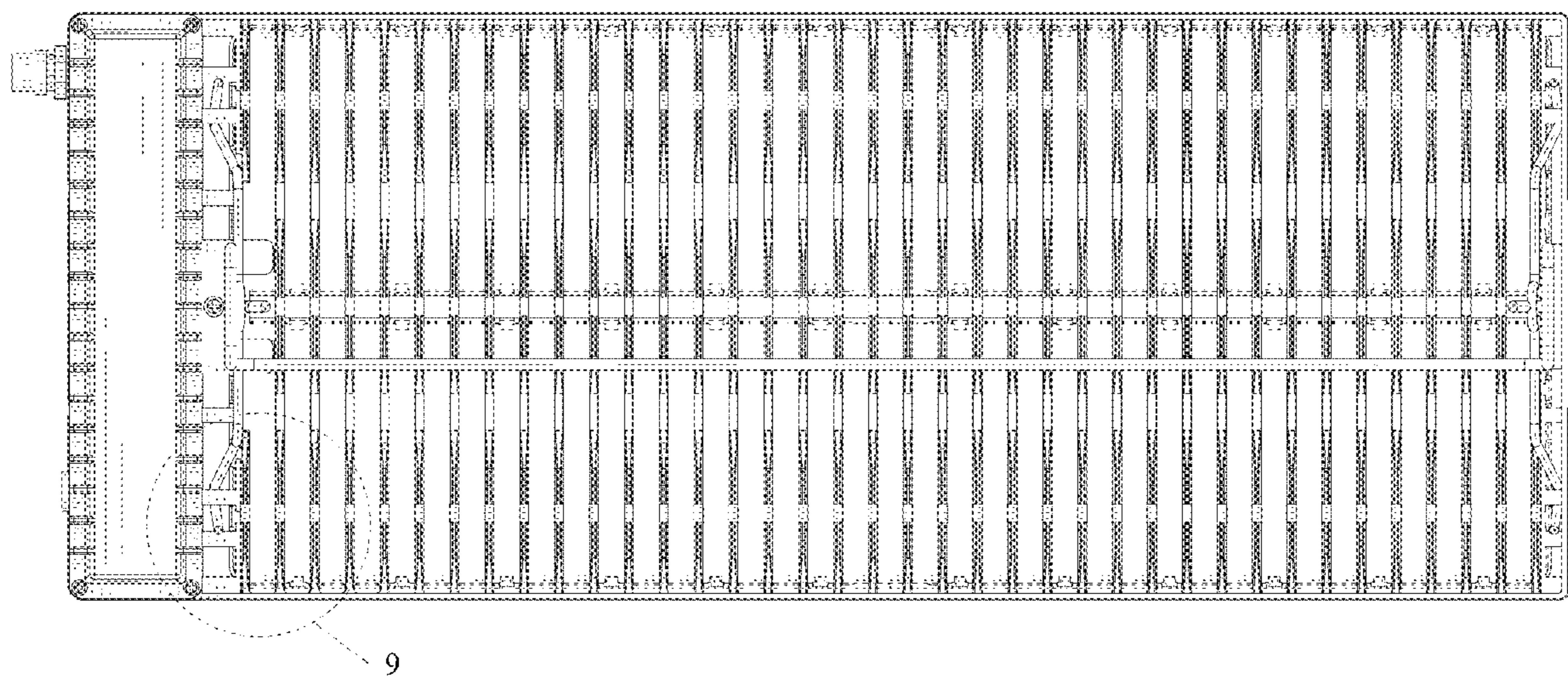


FIG. 7

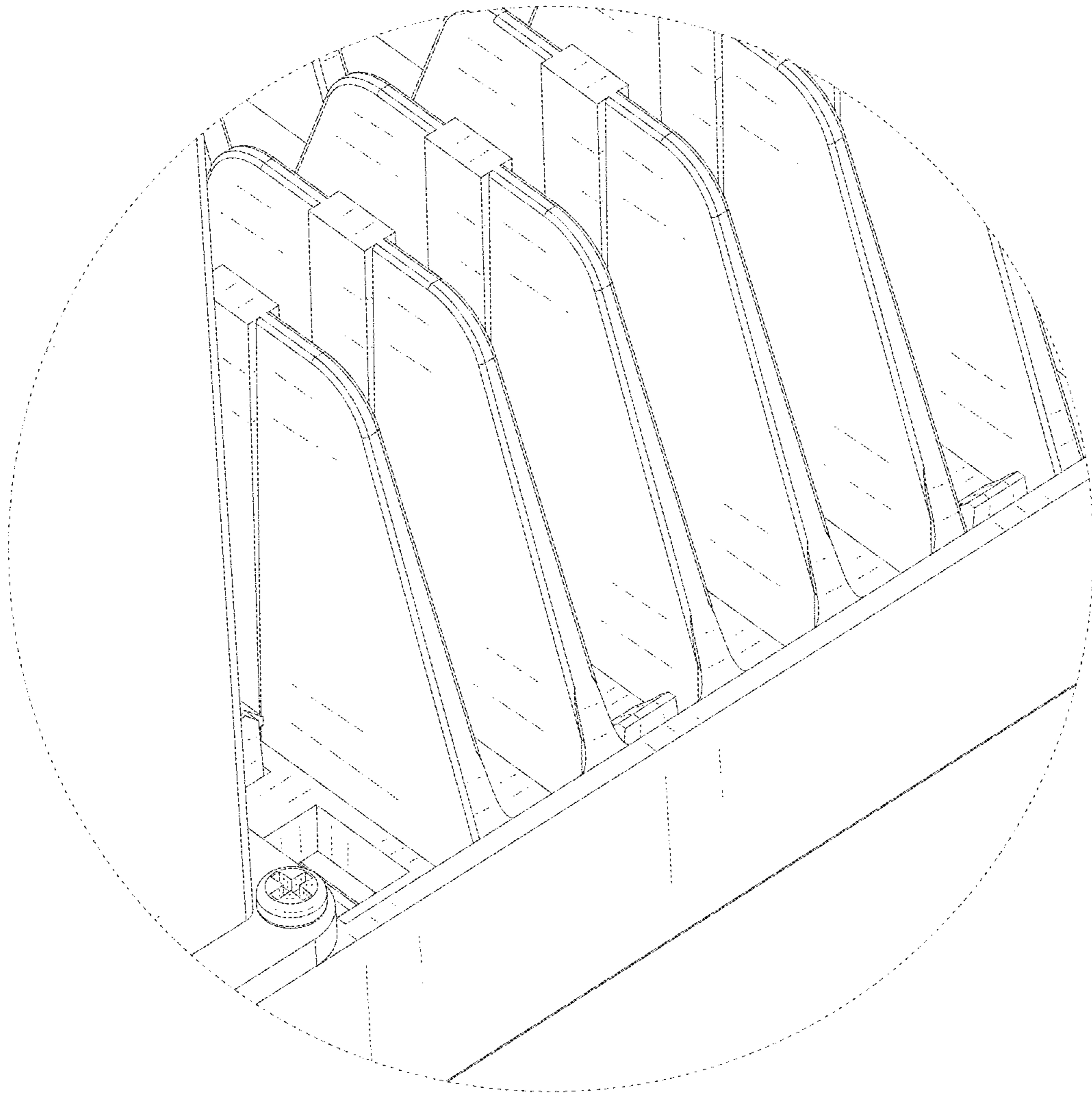


FIG. 8



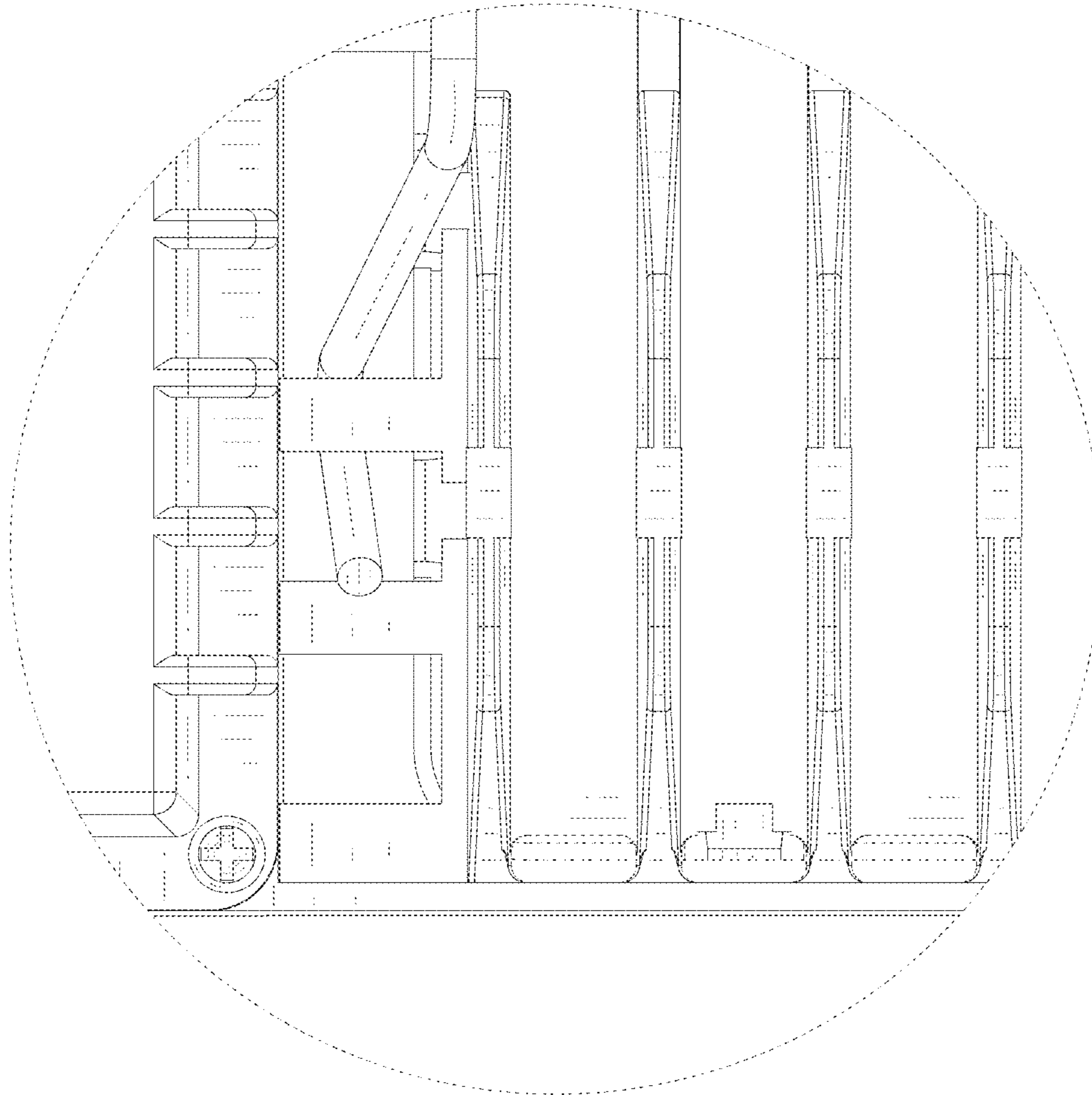


FIG. 9

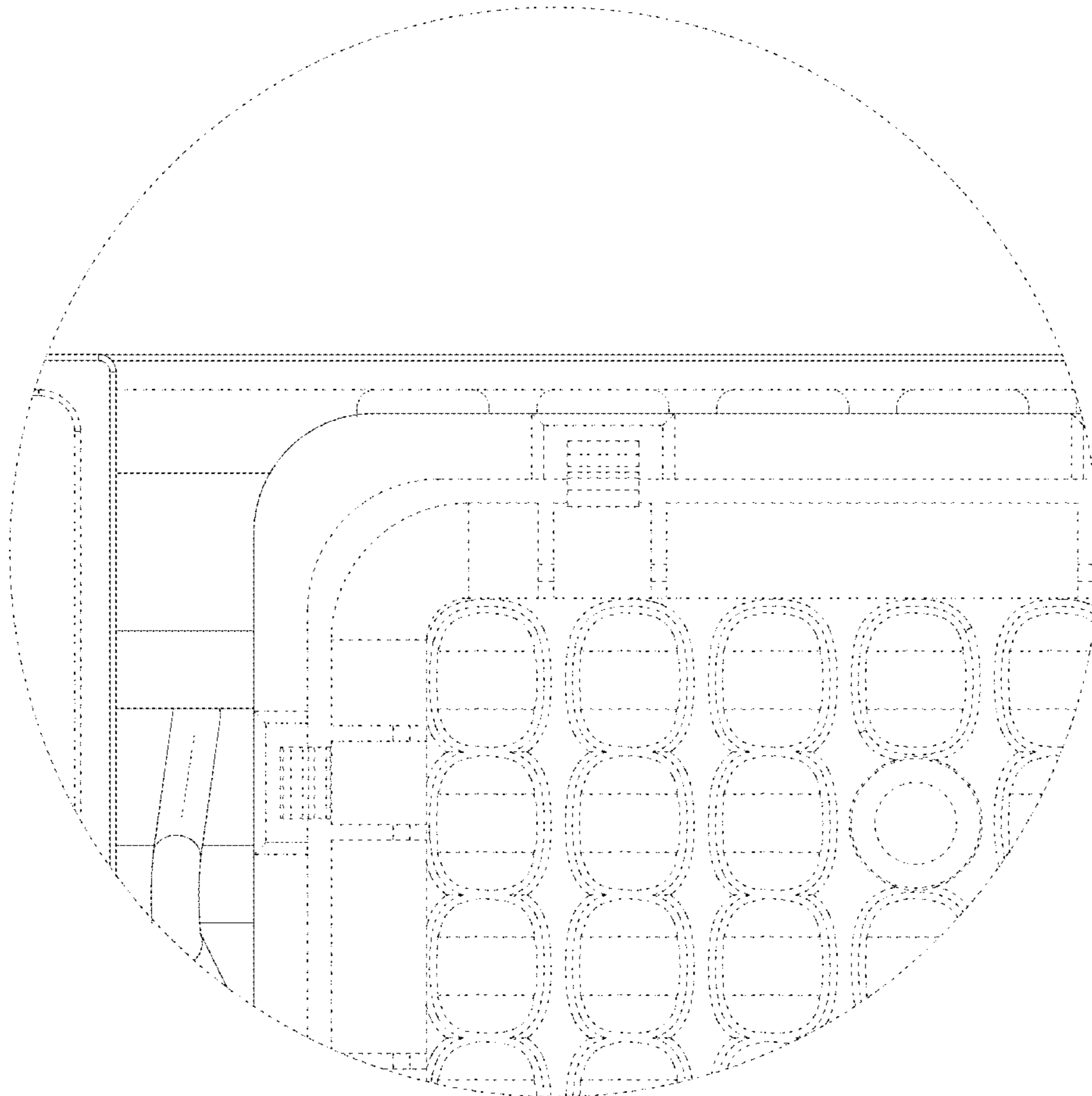


FIG. 10