



US00D956337S

(12) **United States Design Patent**
McLaughlin

(10) **Patent No.:** **US D956,337 S**

(45) **Date of Patent:** **** Jun. 28, 2022**

- (54) **FLOODLIGHT WITH VISOR**
- (71) Applicant: **RAB Lighting Inc.**, Northvale, NJ (US)
- (72) Inventor: **James McLaughlin**, New York, NY (US)
- (73) Assignee: **RAB Lighting Inc.**, Northvale, NJ (US)
- (**) Term: **15 Years**
- (21) Appl. No.: **29/749,968**
- (22) Filed: **Sep. 10, 2020**

- D214,584 S 7/1969 Routh et al.
- 3,751,657 A 8/1973 Sangiamo et al.
- D241,671 S 9/1976 D'Ercoll et al.
- 4,143,413 A 3/1979 Kelly
- 4,315,302 A 2/1982 Petralia
- 4,379,321 A 4/1983 Plemmons et al.
- 4,480,809 A 11/1984 Healey
- 4,488,205 A 12/1984 Quiogue
- 4,626,975 A 12/1986 Miletich
- D295,791 S 5/1988 Strandberg
- D300,864 S 4/1989 Titmarsh
- D308,111 S 5/1990 Banathy et al.
- D319,891 S 9/1991 Giese
- D345,025 S 3/1994 Tsao
- D345,226 S 3/1994 Tsao
- D355,502 S 2/1995 Liao
- D357,992 S 5/1995 Mehaffey
- D360,962 S 8/1995 Cornell et al.

(Continued)

Related U.S. Application Data

- (63) Continuation of application No. 29/665,316, filed on Oct. 2, 2018, now Pat. No. Des. 900,379.
- (51) **LOC (13) Cl.** **26-05**
- (52) **U.S. Cl.**
USPC **D26/118**
- (58) **Field of Classification Search**
USPC D26/1, 24, 28, 61, 63, 65, 76, 118, 119, D26/123, 124; 362/217.1, 249.07, 362, 362/365, 368
CPC F21V 29/74; F21V 29/83; F21V 29/763; F21V 15/00; F21V 15/01; F21V 15/04; F21V 15/012; F21V 21/06; F21V 21/15; F21V 21/20; F21W 2131/10; F21W 2131/40; F21W 2131/406; F21W 2131/1005
See application file for complete search history.

Primary Examiner — Clint A Samuel

(74) *Attorney, Agent, or Firm* — Frost Brown Todd LLC; Dennis S. Schell

(57) **CLAIM**

The ornamental design for a floodlight with visor, as shown and described.

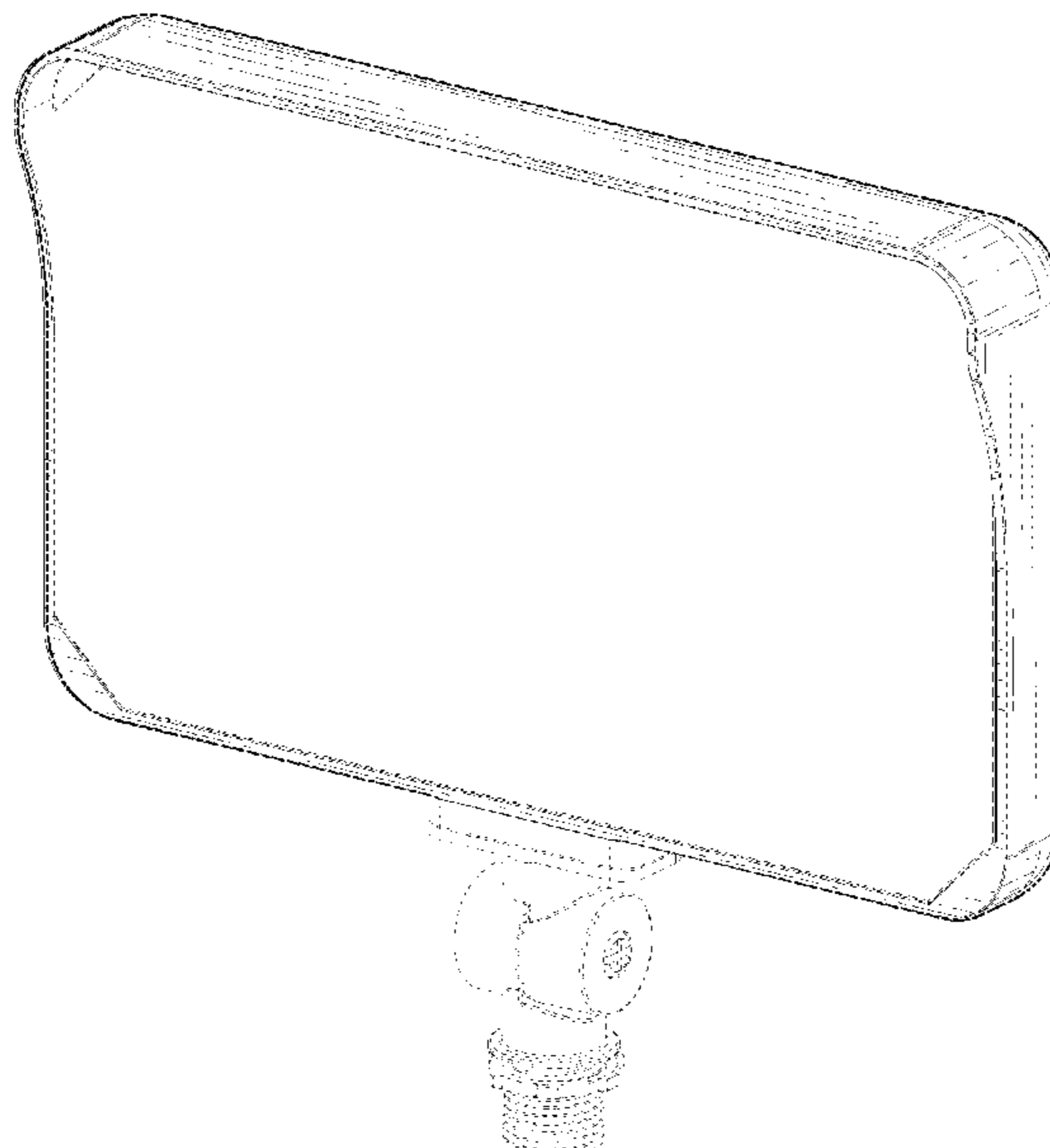
DESCRIPTION

FIG. 1 is a front perspective view of a floodlight with visor, showing the new design;
 FIG. 2 is a rear perspective view of the new design;
 FIG. 3 is a front elevational view of the new design;
 FIG. 4 is a rear elevational view of the new design;
 FIG. 5 is a left-side elevational view of the new design;
 FIG. 6 is a right-side elevational view of the new design;
 FIG. 7 is a top plan view of the new design; and,
 FIG. 8 is a bottom plan view of the new design.
 The broken lines shown in the drawings are included for the purpose of illustrating unclaimed portions of the floodlight with visor and form no part of the claimed design.

1 Claim, 6 Drawing Sheets

(56) **References Cited**
U.S. PATENT DOCUMENTS

- 1,744,370 A 1/1930 Dietz et al.
- D106,774 S 11/1937 Phillips
- D203,865 S 2/1966 Cooper
- 3,363,091 A 1/1968 Cooper



(56)

References Cited

U.S. PATENT DOCUMENTS

D407,836 S	4/1999	Leen	D642,719 S	8/2011	Lindholm et al.
D420,458 S	2/2000	Guercio	D643,147 S	8/2011	Guercio et al.
D434,515 S	11/2000	McNamara	D648,479 S	11/2011	Herman
D453,227 S	1/2002	Lin	8,403,530 B2	3/2013	Singer et al.
D465,592 S	11/2002	Lin	D679,856 S	4/2013	Guercio et al.
D475,154 S	5/2003	Binsukor	D695,949 S	12/2013	Gordin et al.
D479,015 S	8/2003	Tang	8,646,948 B1	2/2014	Reo et al.
D544,125 S	6/2007	Guercio	D739,072 S	9/2015	Adams et al.
D545,471 S	6/2007	Guercio	D739,594 S	9/2015	Adams et al.
D545,472 S	6/2007	Guercio	D740,997 S	10/2015	Chang et al.
D545,987 S	7/2007	Guercio	D751,751 S	3/2016	Lockart et al.
D547,477 S	7/2007	Guercio	D759,291 S *	6/2016	Chen D26/120
D547,478 S	7/2007	Guercio	D770,078 S	10/2016	Largent
D549,380 S	8/2007	Guercio	D772,474 S	11/2016	Chang et al.
D550,387 S	9/2007	Guercio	D775,401 S	12/2016	Sibitzky et al.
D550,392 S	9/2007	Guercio	D775,402 S	12/2016	Sibitzky et al.
D550,877 S	9/2007	Mullen	D775,403 S	12/2016	Adams et al.
D552,282 S	10/2007	Guercio	D784,599 S	4/2017	Sibitzky et al.
D552,283 S	10/2007	Guercio	D804,074 S *	11/2017	Fang D26/65
D552,778 S	10/2007	Butler	D805,241 S	12/2017	Fletcher et al.
D561,369 S	2/2008	Sandell	D807,538 S	1/2018	Guercio et al.
D561,370 S	2/2008	Sandell	D851,297 S	6/2019	Dennis et al.
D565,223 S	3/2008	Guercio	D862,758 S	10/2019	Zhu
D566,318 S	4/2008	Quiogue et al.	D863,613 S	10/2019	Korpi
D574,102 S	7/2008	Quiogue et al.	D864,428 S	10/2019	Yang
D577,141 S	9/2008	Monroe	D899,662 S *	10/2020	Chami D26/76
7,527,390 B2	5/2009	Kakuta	D913,574 S *	3/2021	Kujawa D26/118
D610,734 S	2/2010	Ward et al.	D918,453 S *	5/2021	Rang D26/63
D611,635 S	3/2010	Gordin	D919,151 S *	5/2021	Wu D26/63
D612,975 S	3/2010	Guercio et al.	D921,258 S *	6/2021	Xu D26/63
D618,374 S	6/2010	Guercio	D921,259 S *	6/2021	Smith D26/63
D625,450 S	10/2010	Rosenkrantz et al.	2010/0091507 A1	4/2010	Li et al.
D629,550 S	12/2010	Sandell	2011/0292652 A1	12/2011	Huang et al.
D635,712 S	4/2011	Leen	2012/0236558 A1	9/2012	Roudeski et al.
			2012/0293989 A1	11/2012	Duan et al.
			2020/0240616 A1 *	7/2020	Sieczkowski F21V 31/03

* cited by examiner

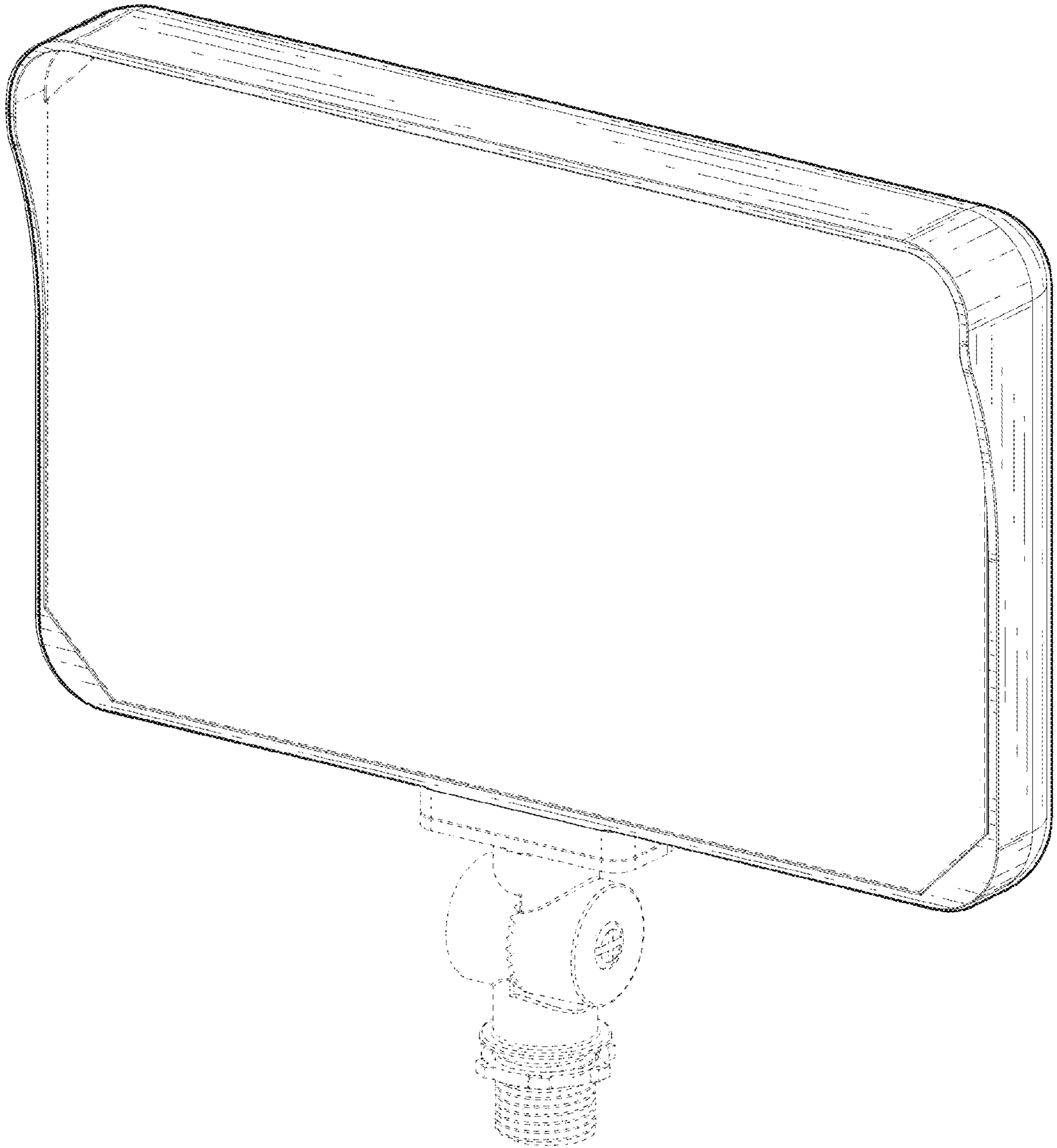


Fig. 1

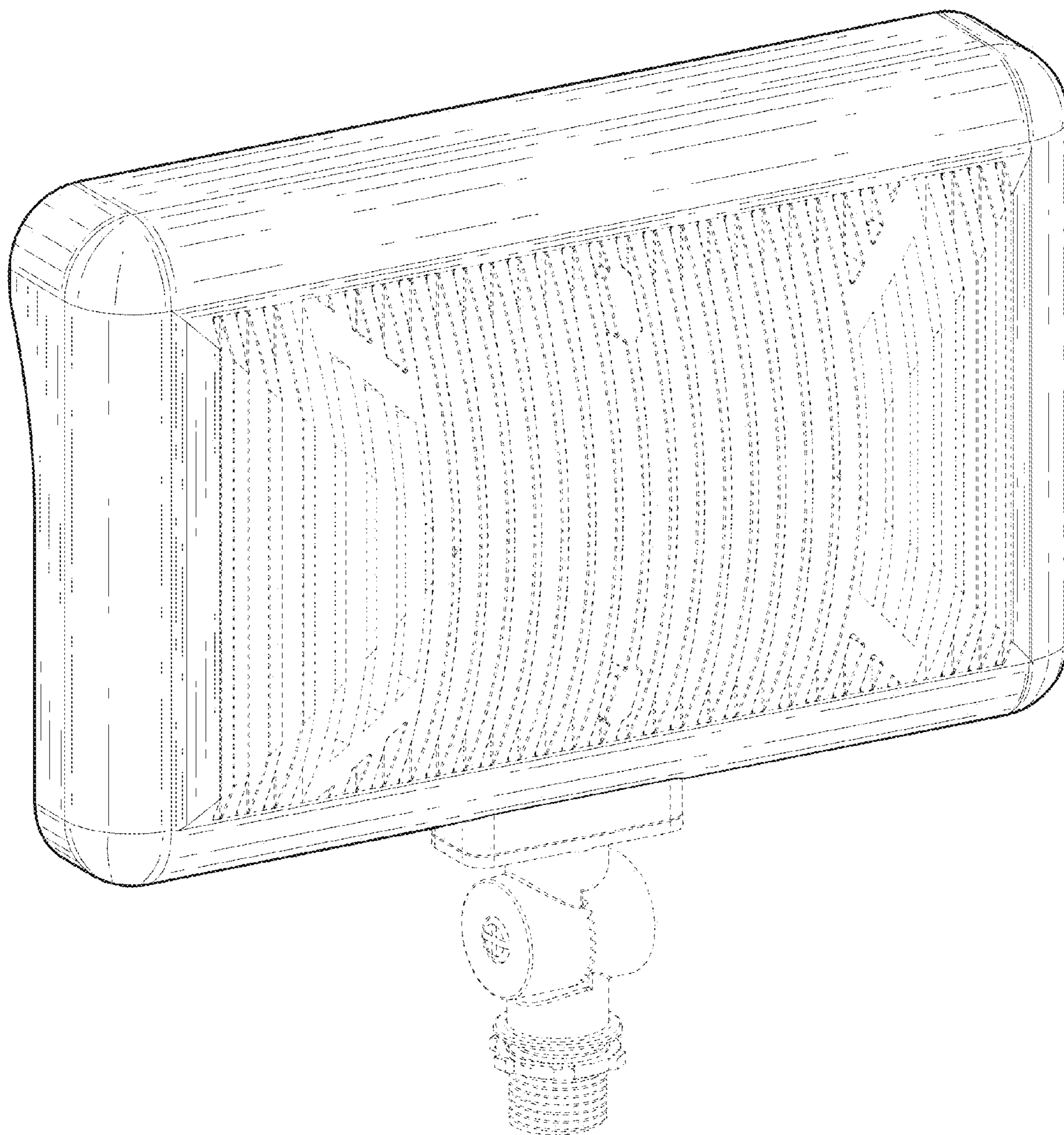


Fig. 2

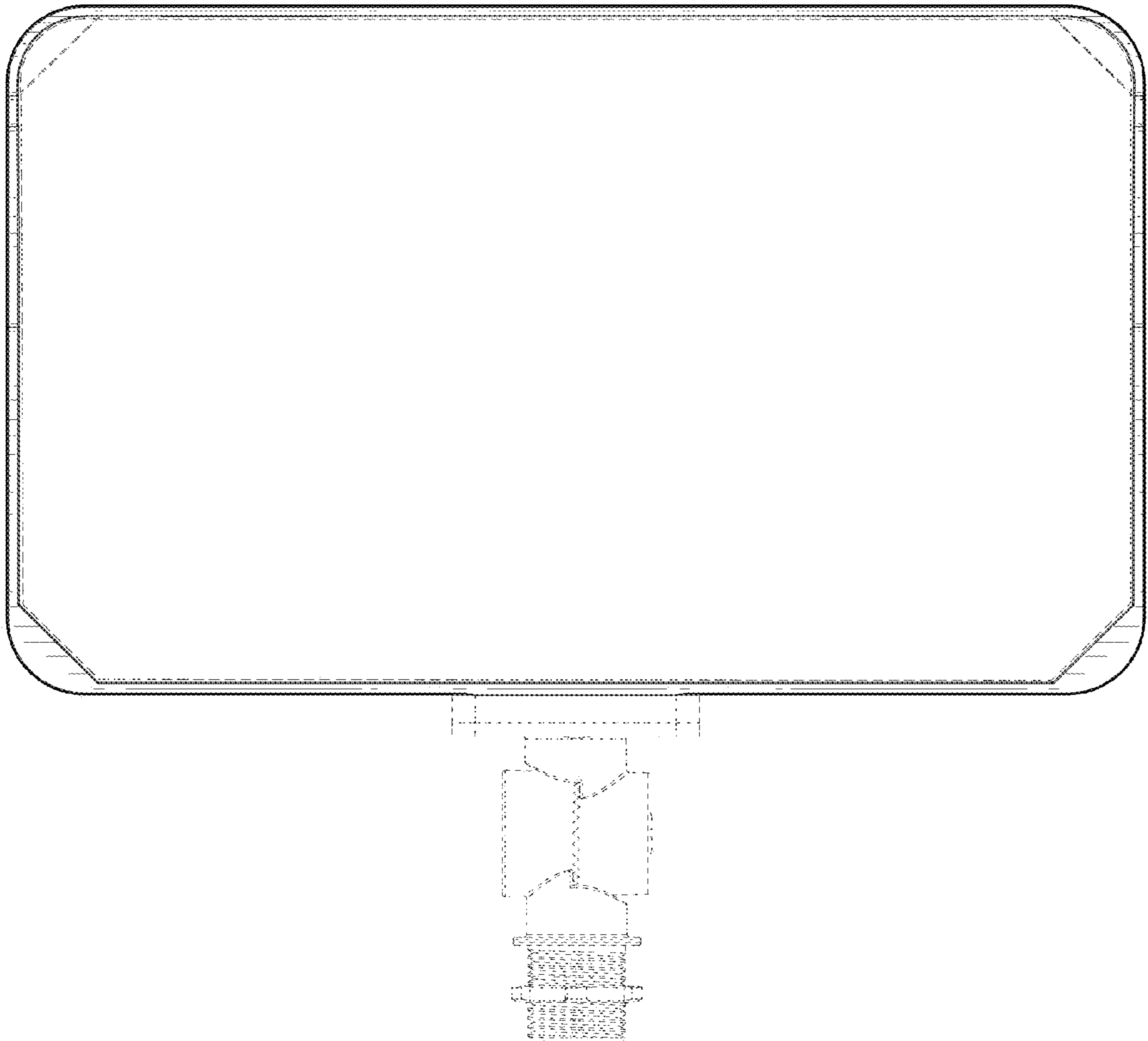


Fig. 3

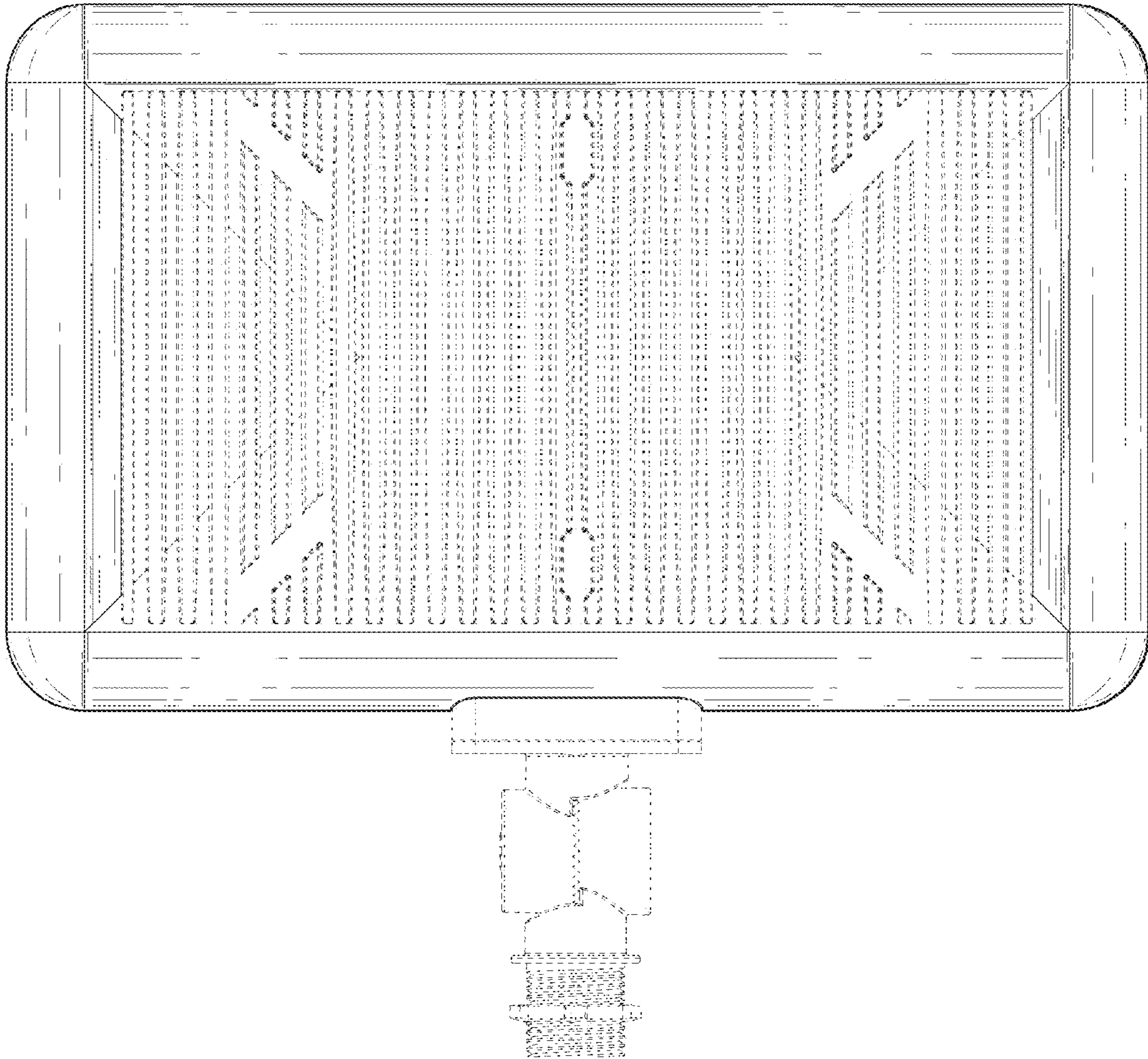


Fig. 4

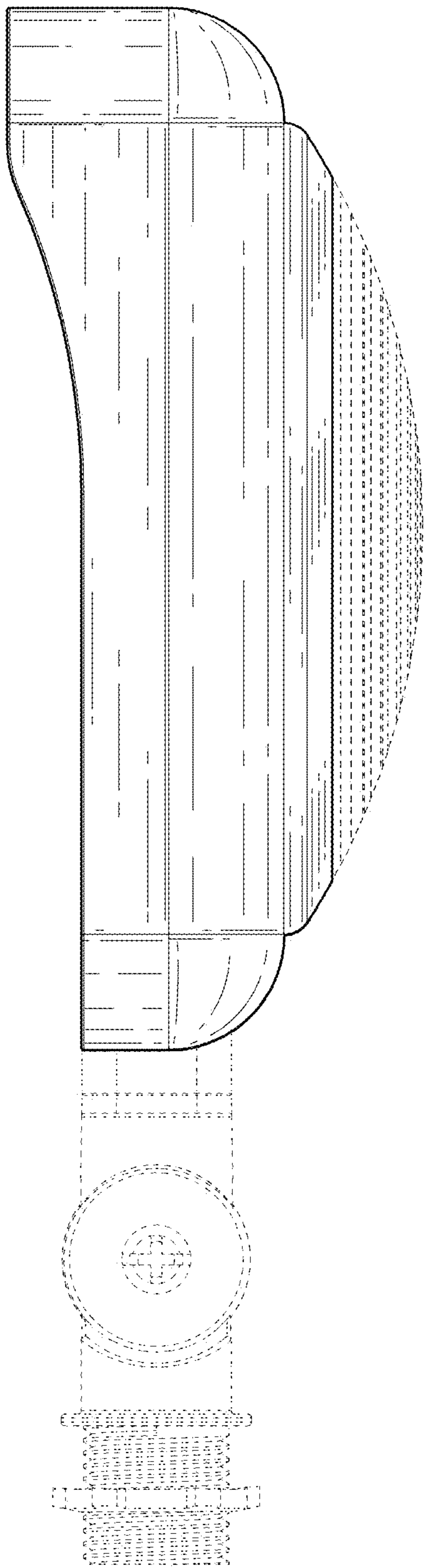


Fig. 5

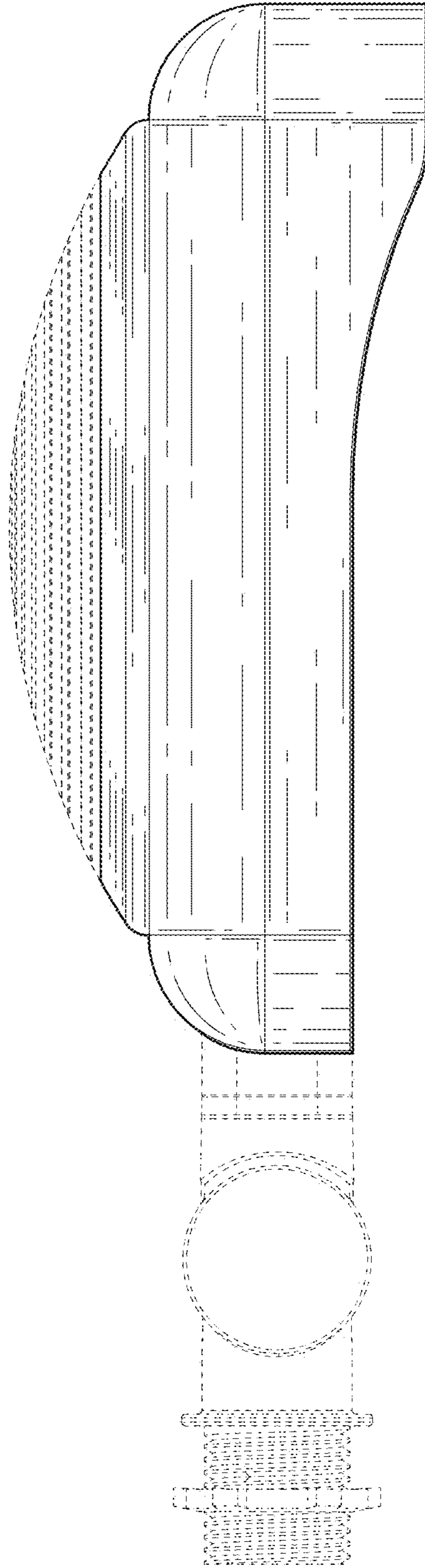


Fig. 6

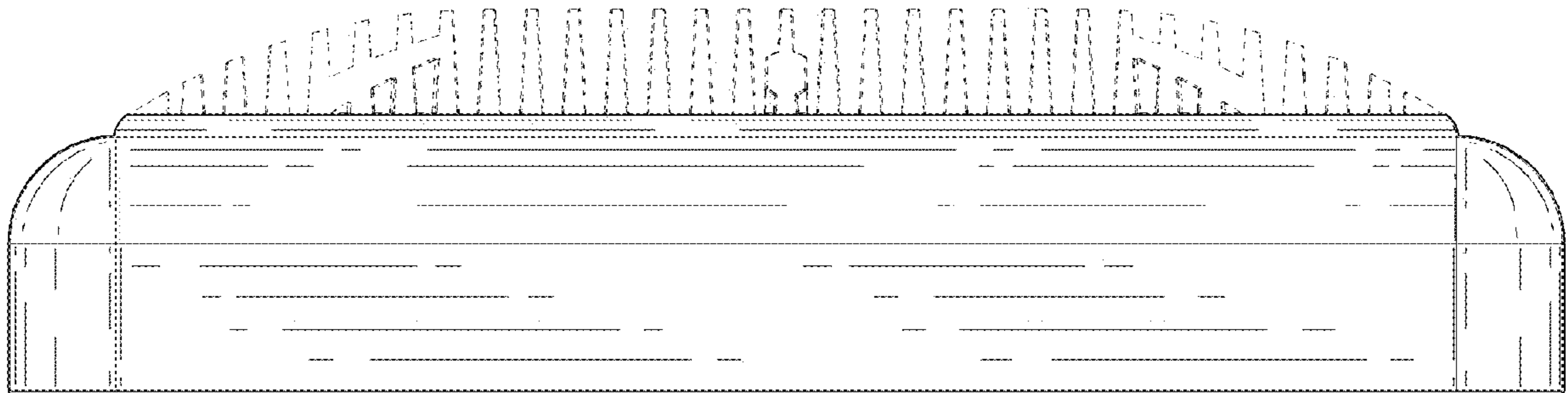


Fig. 7

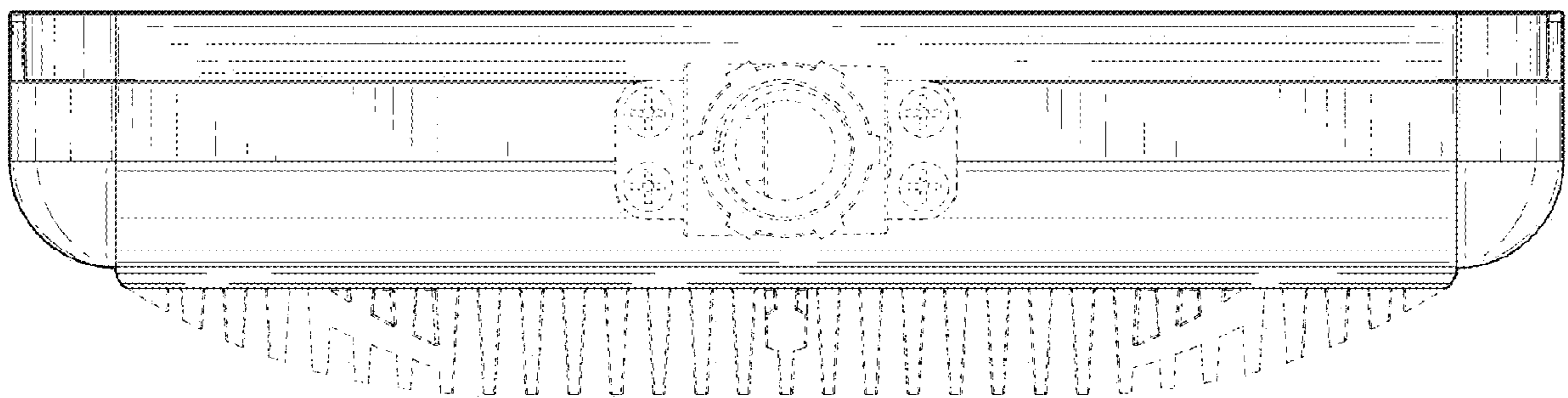


Fig. 8