



US00D956332S

(12) **United States Design Patent**
Möller et al.

(10) **Patent No.:** **US D956,332 S**
(45) **Date of Patent:** **** Jun. 28, 2022**

(54) **HEADLIGHT**

(71) Applicant: **ARNOLD & RICHTER CINE
TECHNIK GMBH & CO.
BETRIEBS KG, Munich (DE)**

(72) Inventors: **Andreas Möller, Munich (DE);
Johannes Huttner, Munich (DE);
Alexander Freudenberg, Munich (DE)**

(73) Assignee: **ARNOLD & RICHTER CINE
TECHNIK GMBH & CO.
BETRIEBS KG, Munich (DE)**

(**) Term: **15 Years**

(21) Appl. No.: **29/727,378**

(22) Filed: **Mar. 10, 2020**

(30) **Foreign Application Priority Data**

Sep. 10, 2019 (EM) 006852950

(51) **LOC (13) Cl.** **26-05**

(52) **U.S. Cl.**
USPC **D26/118**

(58) **Field of Classification Search**
USPC D26/24, 28, 36, 40, 46, 49, 63, 97, 118,
D26/120
CPC F21S 8/00; F21S 8/02; F21S 8/022; F21S
8/026; F21S 8/033; F21S 43/00; F21S
43/14; F21S 43/19; F21S 43/20; F21S
41/00; F21S 41/19; F21S 41/141; F21V
3/00; F21V 3/02; F21V 3/049; F21V
7/00; F21V 7/04; F21V 7/043; F21V
5/04; F21V 5/05

See application file for complete search history.

(56) **References Cited**

U.S. PATENT DOCUMENTS

4,617,615 A * 10/1986 Eychaner F21S 8/00
362/216
D308,110 S * 5/1990 Ziaylek, Jr. D26/24

D315,417 S * 3/1991 Ziaylek, Jr D26/24
6,655,813 B1 * 12/2003 Ng F21S 8/02
362/147
D532,542 S * 11/2006 Yuen D26/46
D555,822 S * 11/2007 Ward D26/118
D574,541 S * 8/2008 Matsumoto D26/74
D586,945 S * 2/2009 Huang D26/118
D651,738 S * 1/2012 Guercio D26/138
D685,519 S * 7/2013 Teranishi D26/118
D686,773 S * 7/2013 Tseng D26/118
D691,316 S * 10/2013 Rashidi D26/74
D691,317 S * 10/2013 Rashidi D26/74
D692,172 S * 10/2013 Rashidi D26/74
D692,173 S * 10/2013 Rashidi D26/74
D692,174 S * 10/2013 Rashidi D26/74
D692,175 S * 10/2013 Rashidi D26/74
D693,043 S * 11/2013 Schmalfluss D26/63
D695,948 S * 12/2013 Sabernig D26/118
D696,452 S * 12/2013 Gordin D26/118

(Continued)

Primary Examiner — Wan Laymon

Assistant Examiner — Clint A Samuel

(74) *Attorney, Agent, or Firm* — Maschoff Brennan

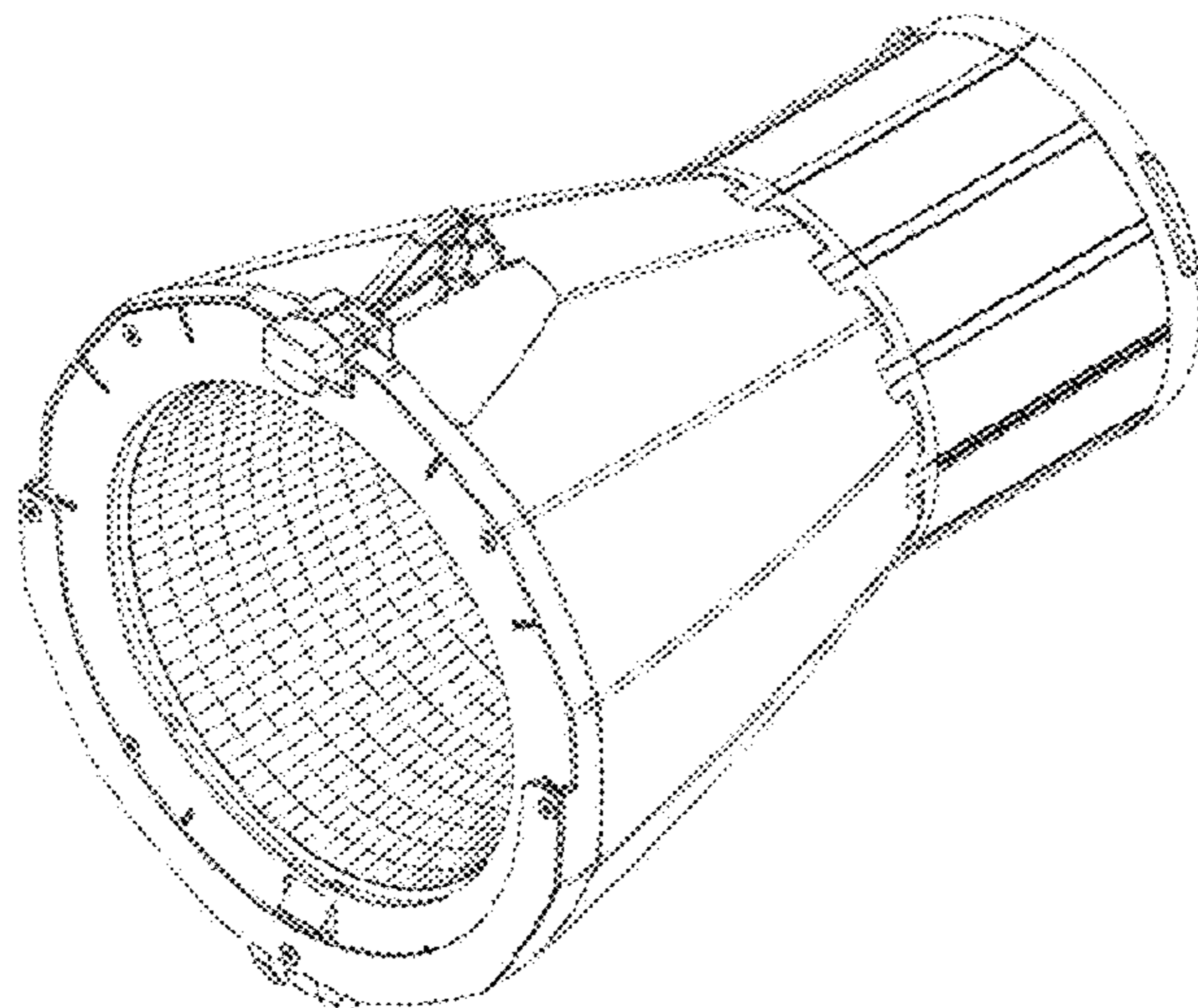
(57) **CLAIM**

We claim the ornamental design for a headlight, as shown and described.

DESCRIPTION

FIG. 1 is an upper front left-side perspective view of a headlight, showing my new design;
FIG. 2 is a left-side view thereof;
FIG. 3 is a bottom view thereof;
FIG. 4 is a front view thereof;
FIG. 5 is a top view thereof;
FIG. 6 is a right-side view thereof;
FIG. 7 is a rear view thereof; and,
FIG. 8 is a lower back left-side perspective view thereof.

1 Claim, 3 Drawing Sheets



(56)

References Cited

U.S. PATENT DOCUMENTS

D707,876	S *	6/2014	Reed	D26/118
D710,047	S *	7/2014	Hildebrandt	D26/74
D711,569	S *	8/2014	Wu	D26/28
D711,570	S *	8/2014	Wu	D26/28
D726,949	S *	4/2015	Redfern	D26/74
D735,908	S *	8/2015	Ko	D26/28
D736,430	S *	8/2015	Ko	D26/28
D739,577	S *	9/2015	Kani	D26/28
D786,472	S *	5/2017	Redfern	D26/74
D801,574	S *	10/2017	Amato	D26/118
D808,058	S *	1/2018	Johnson	D26/74
D810,345	S *	2/2018	Redfern	D26/74
D827,883	S *	9/2018	Deyaf	D26/28
D854,725	S *	7/2019	Goetz-Schaefer	D26/74
D869,704	S *	12/2019	Wu	D26/28
D874,045	S *	1/2020	Rashidi Doust	D26/74
D880,049	S *	3/2020	Guercio	D26/118
D886,343	S *	6/2020	Chen	D26/28
D887,065	S *	6/2020	Speier	D26/74
D891,686	S *	7/2020	Duckworth	D26/118
D897,012	S *	9/2020	Chen	D26/28
D934,467	S *	10/2021	Hu	D26/28
2013/0051006	A1 *	2/2013	Speidel	F21V 5/04 362/235
2016/0186967	A1 *	6/2016	Mathews	F21S 8/02 362/368
2021/0199268	A1 *	7/2021	Xue	F21V 5/045

* cited by examiner

FIG. 1

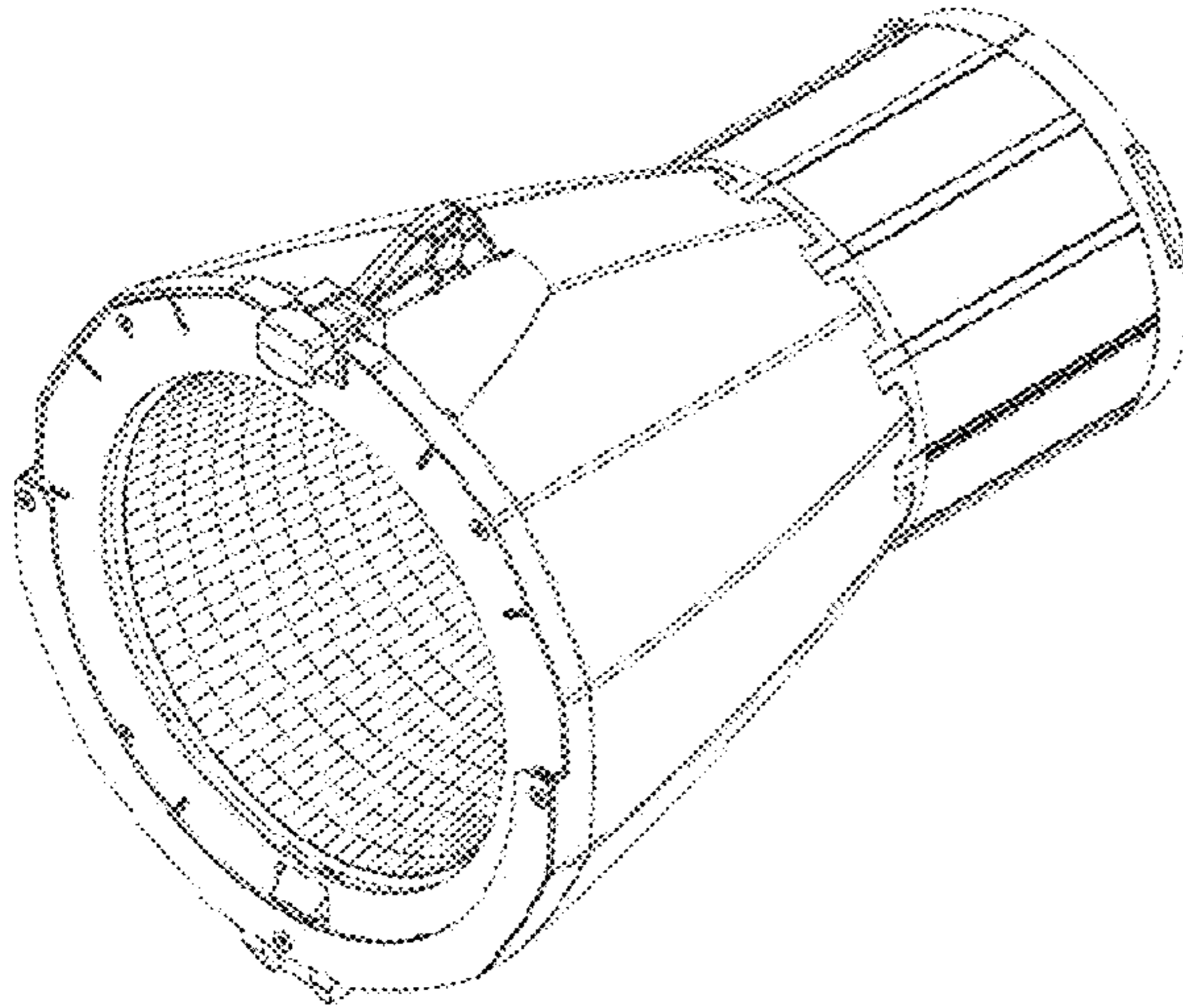


FIG. 2

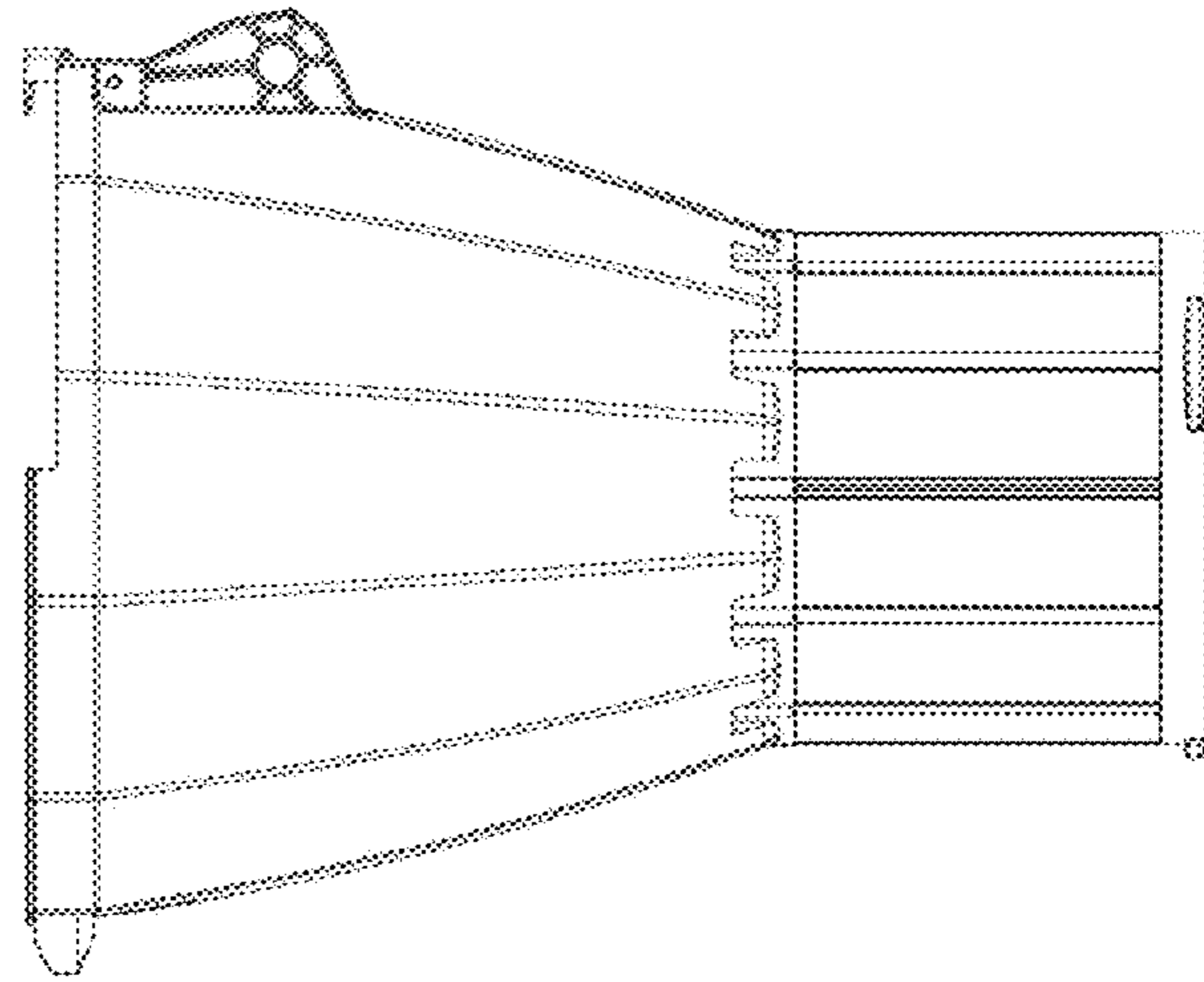


FIG. 3

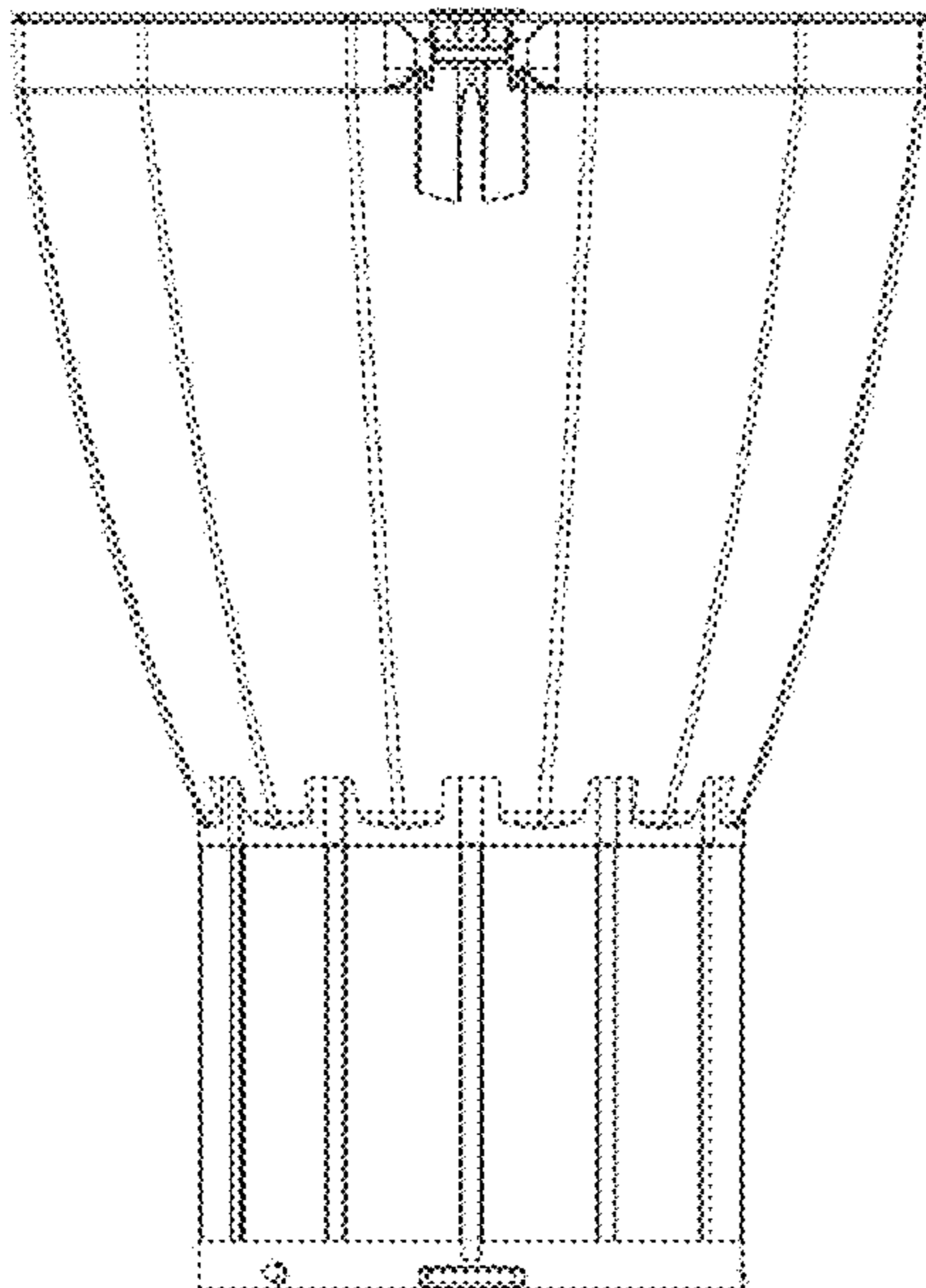


FIG. 4

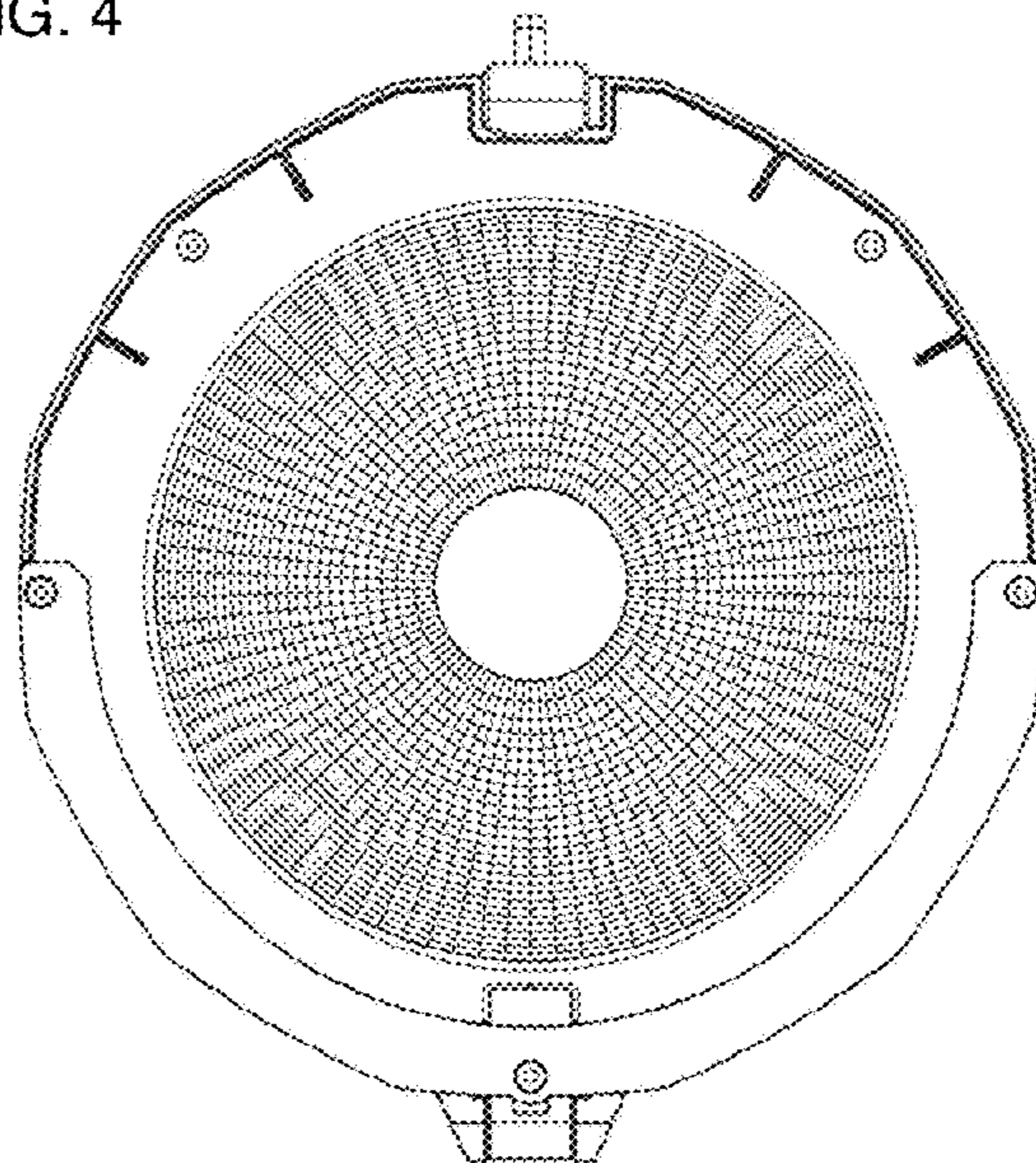


FIG. 5

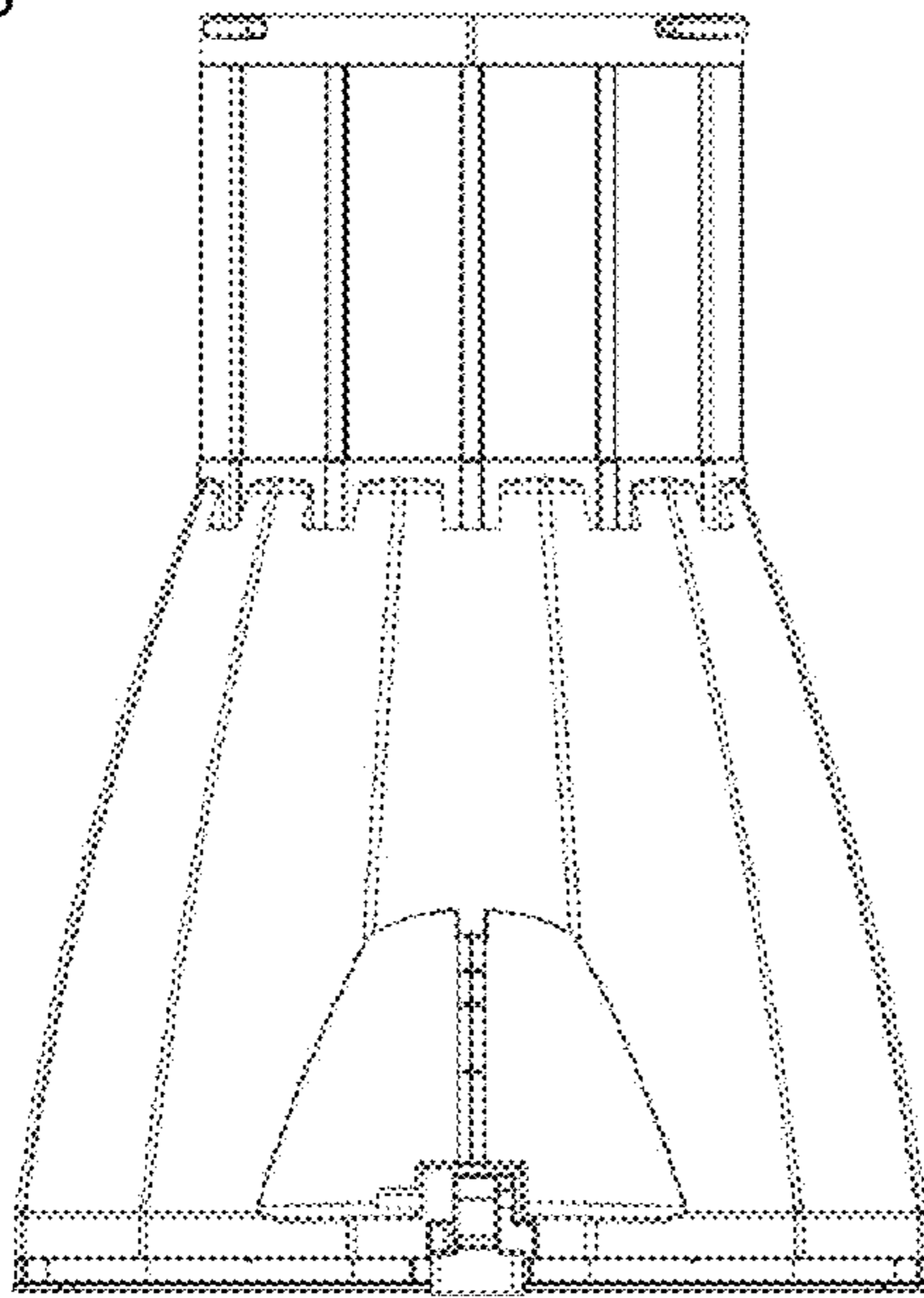


FIG. 6

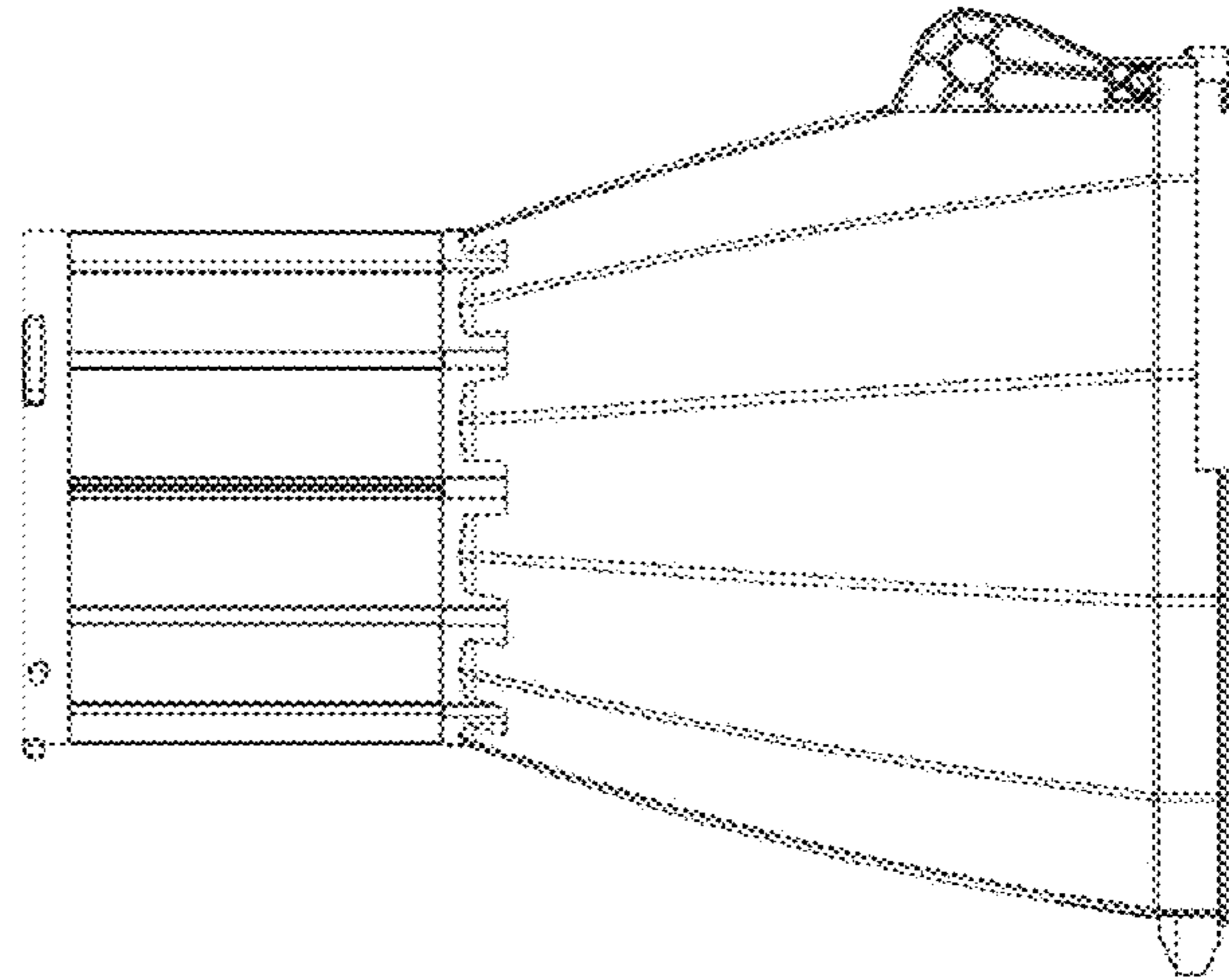


FIG. 7

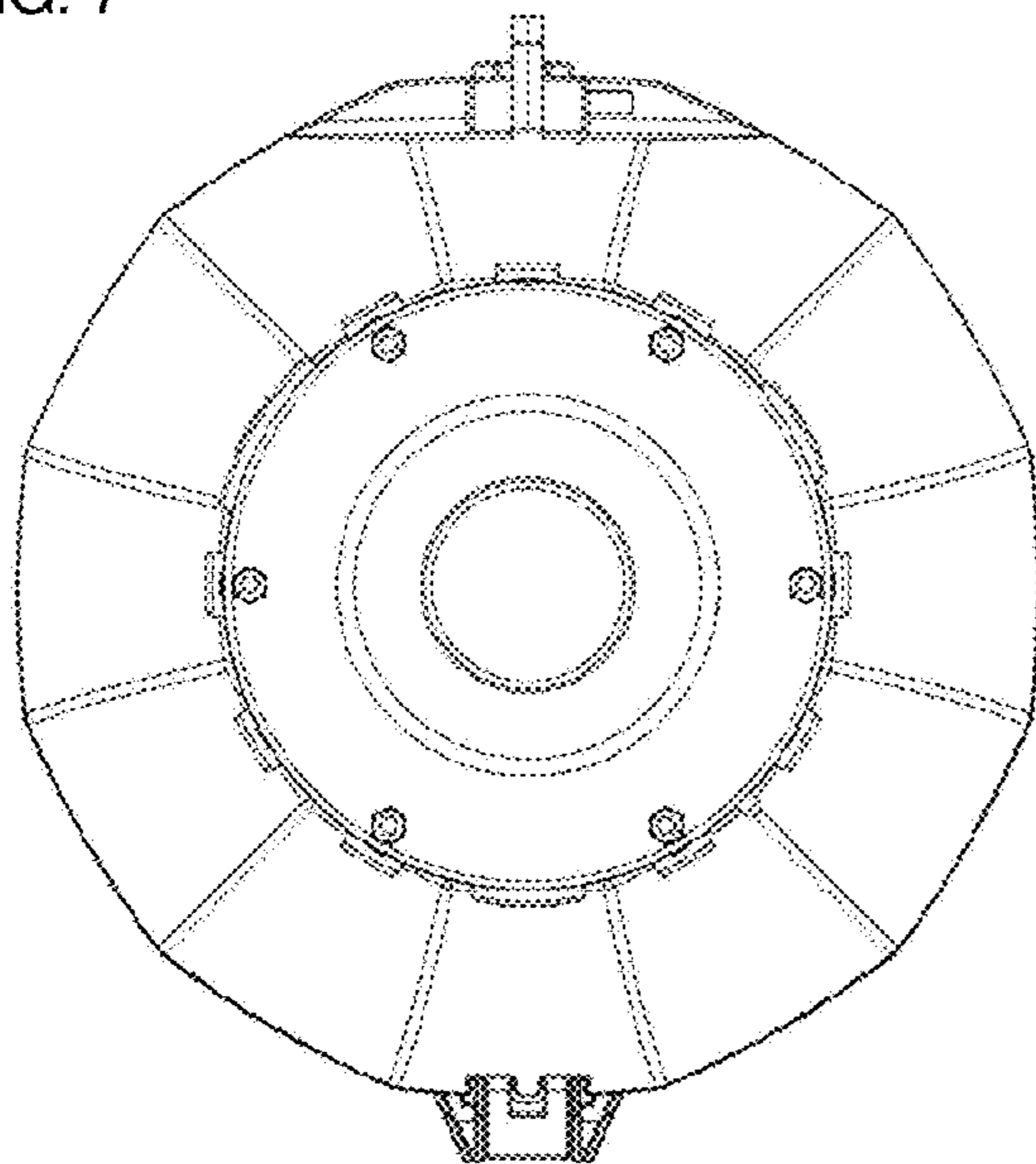


FIG. 8

