



US00D956330S

(12) **United States Design Patent** (10) **Patent No.:** **US D956,330 S**
Tu (45) **Date of Patent:** **** Jun. 28, 2022**

(54) **LAMPSHADE**

(56) **References Cited**

(71) Applicant: **Dongguan Etan Pet Supplies Co., Ltd.**, Dongguan (CN)

U.S. PATENT DOCUMENTS

(72) Inventor: **Dianbo Tu**, Dongguan (CN)

D134,296 S * 11/1942 Bagnall D26/71
D465,600 S * 11/2002 Dolan D26/128
D542,460 S * 5/2007 Hargreaves D26/118
D616,142 S * 5/2010 Bagnall D26/128
D635,710 S * 4/2011 Jean D26/85
D876,609 S * 2/2020 O'Connell D23/411
2020/0063942 A1* 2/2020 Lee F21V 19/0055

(73) Assignee: **Dongguan Etan Pet Supplies Co., Ltd.**, Dongguan (CN)

* cited by examiner

(**) Term: **15 Years**

Primary Examiner — Clint A Samuel

(21) Appl. No.: **29/697,428**

(74) *Attorney, Agent, or Firm* — Westbridge IP LLC

(22) Filed: **Jul. 9, 2019**

(57) **CLAIM**

(30) **Foreign Application Priority Data**

The ornamental design for a lampshade, as shown and described.

Jan. 25, 2019 (CN) 201930043899.9

DESCRIPTION

(51) **LOC (13) Cl.** **26-05**

FIG. 1 is a first perspective view of a Lampshade showing our new design;

(52) **U.S. Cl.**

FIG. 2 is a second perspective view thereof;

USPC **D26/118**

FIG. 3 is a front elevational view thereof;

(58) **Field of Classification Search**

USPC D26/81, 85, 88, 105, 106, 118, 119, 124, D26/128, 129, 135, 137; 362/317, 355, 362/359, 362, 363

FIG. 4 is a rear elevational view thereof;

CPC F21V 1/00; F21V 1/14; F21V 1/18; F21V 1/20; F21V 1/22; F21V 1/24; F21V 1/143; F21V 7/00; F21V 7/041; F21V 7/043; F21V 7/0091; F21V 3/00; F21V 3/02; F21V 3/049; F21V 3/061; F21V 3/0615; F21V 15/00; F21V 15/01; F21V 15/012

FIG. 5 is a left side view thereof;

FIG. 6 is a right side view thereof;

FIG. 7 is a top plan view thereof;

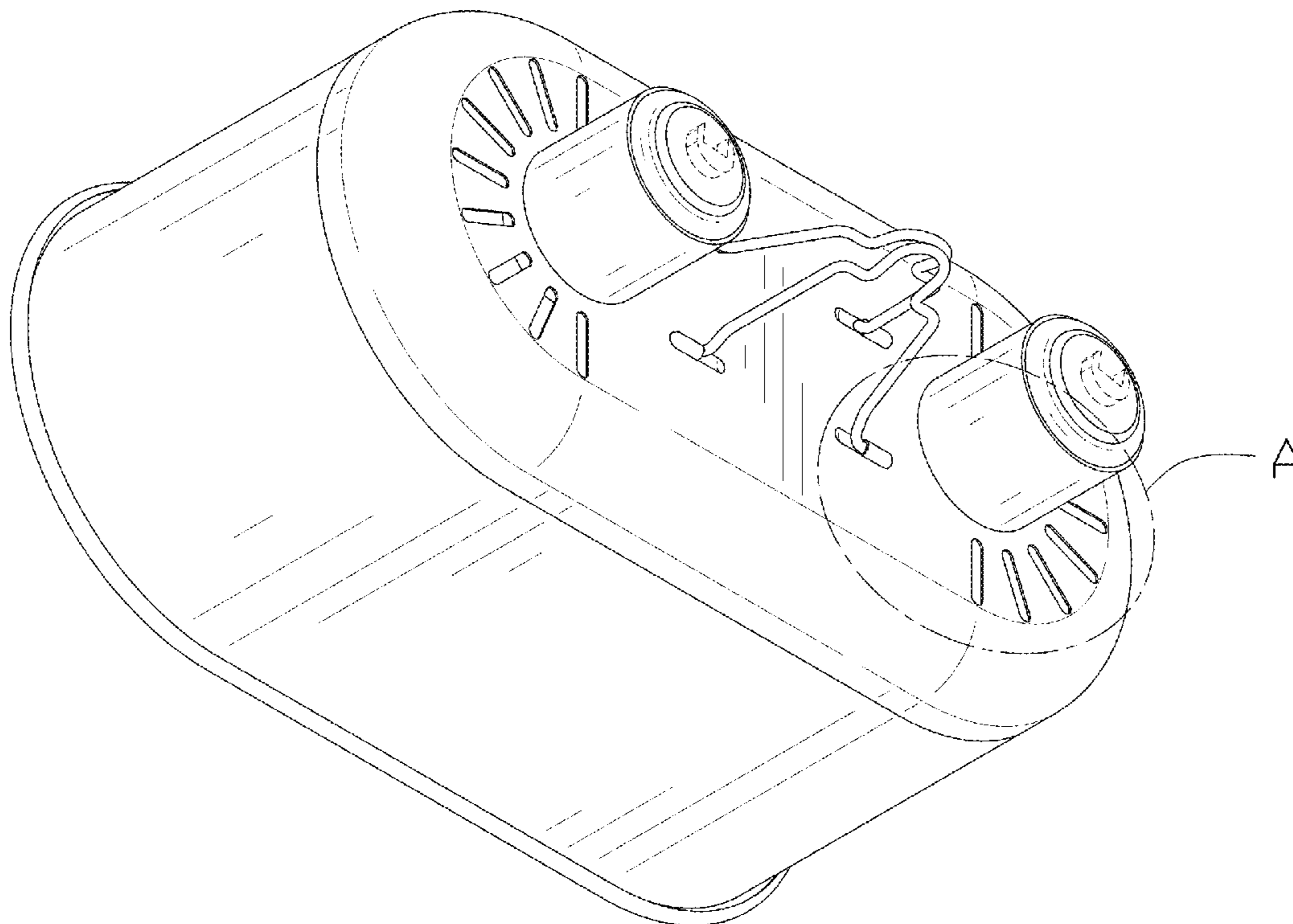
FIG. 8 is a bottom plan view thereof; and,

FIG. 9 is an enlarged view of portion A in FIG. 1.

The evenly broken lines in the drawings illustrate portions of the article that form no part of the claim.

See application file for complete search history.

1 Claim, 9 Drawing Sheets



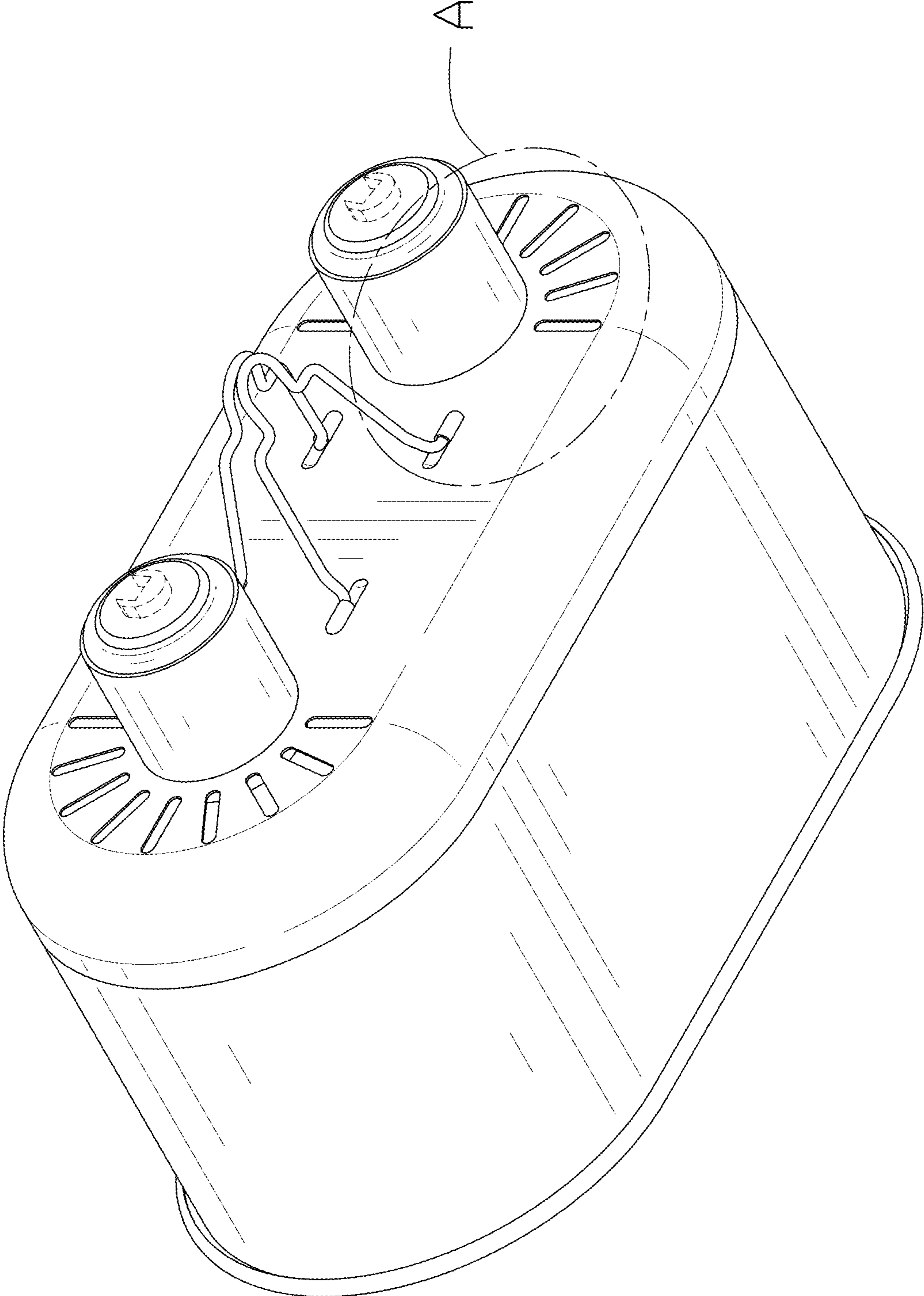


FIG. 1

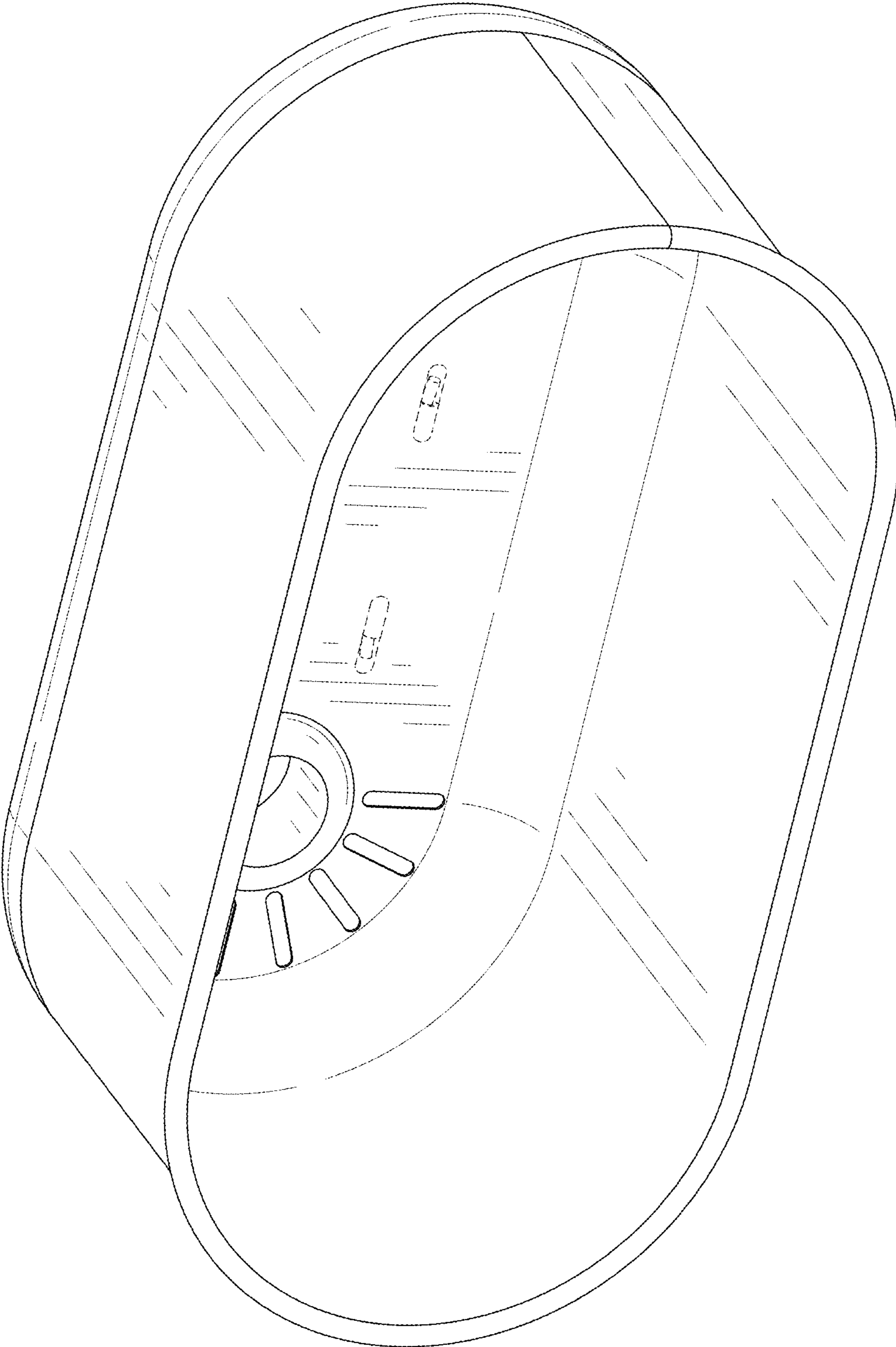


FIG. 2

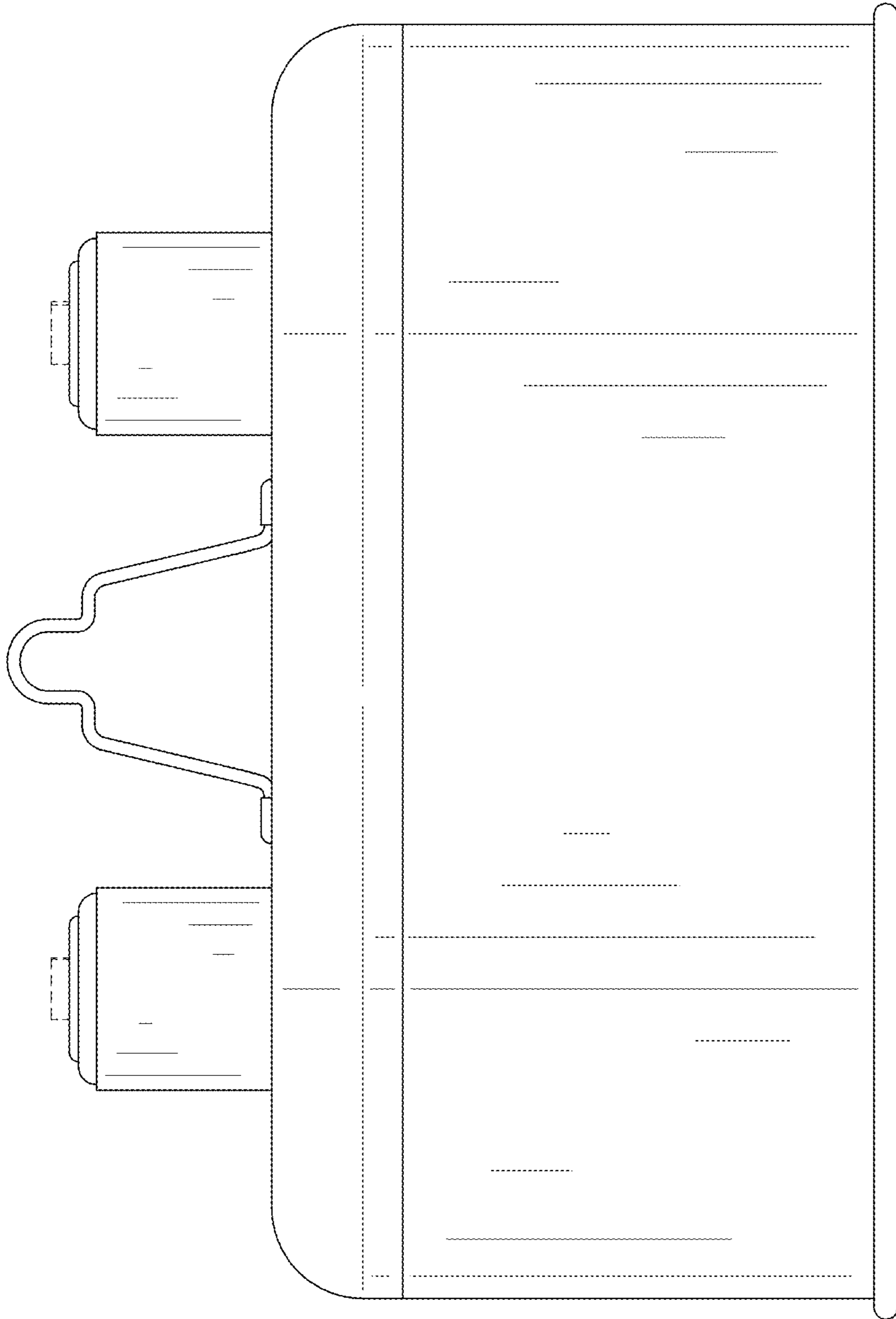


FIG. 3

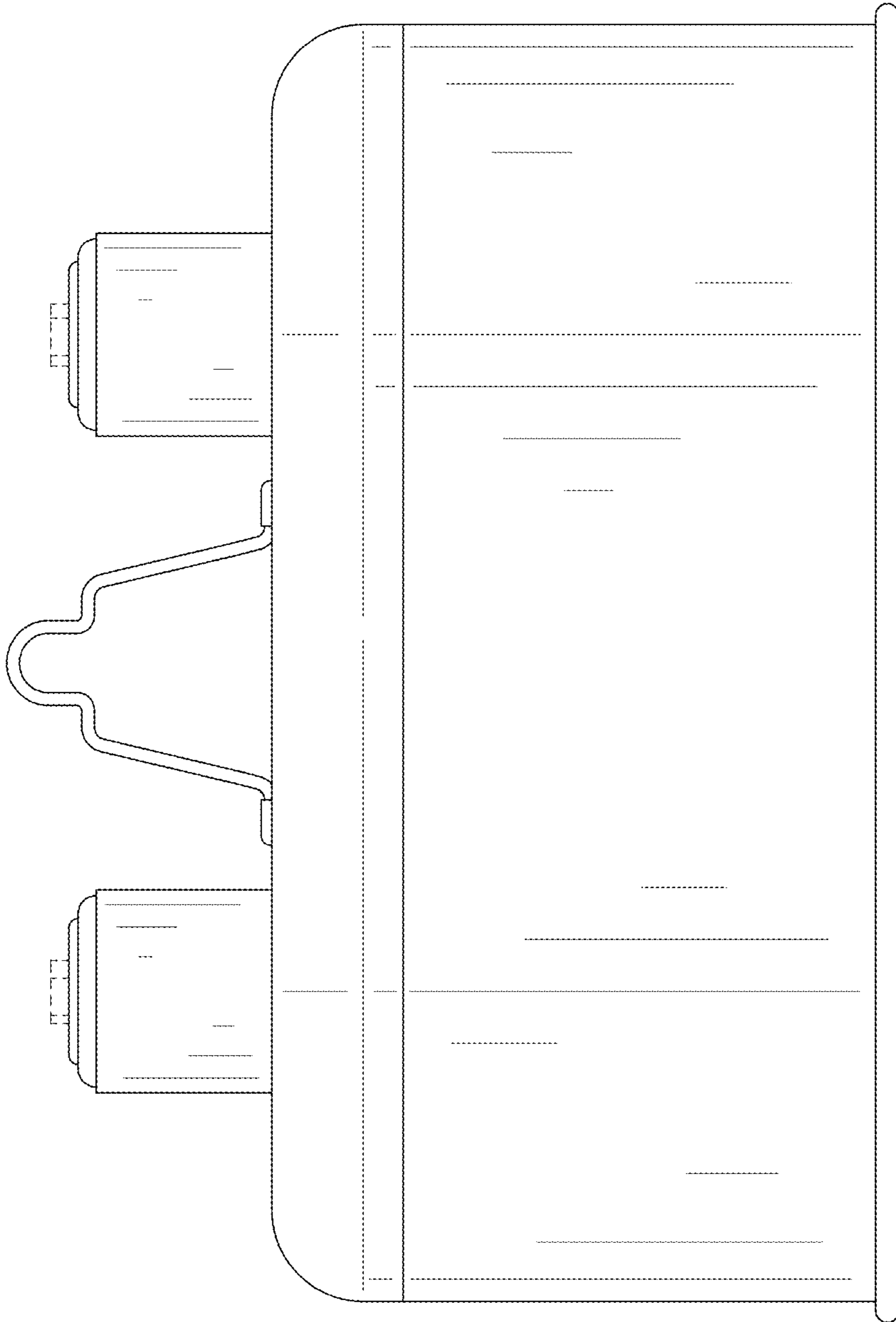


FIG. 4

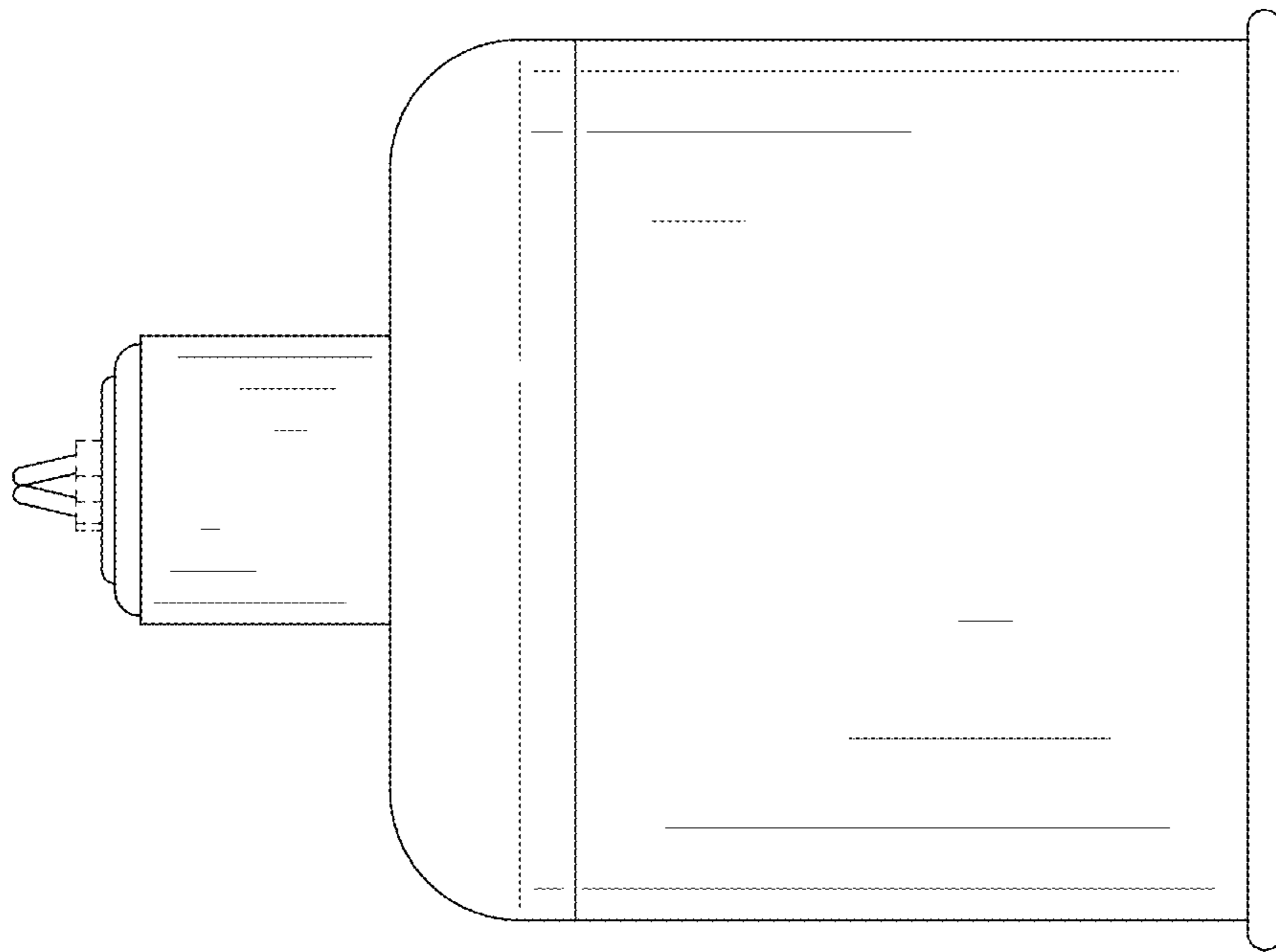


FIG. 5

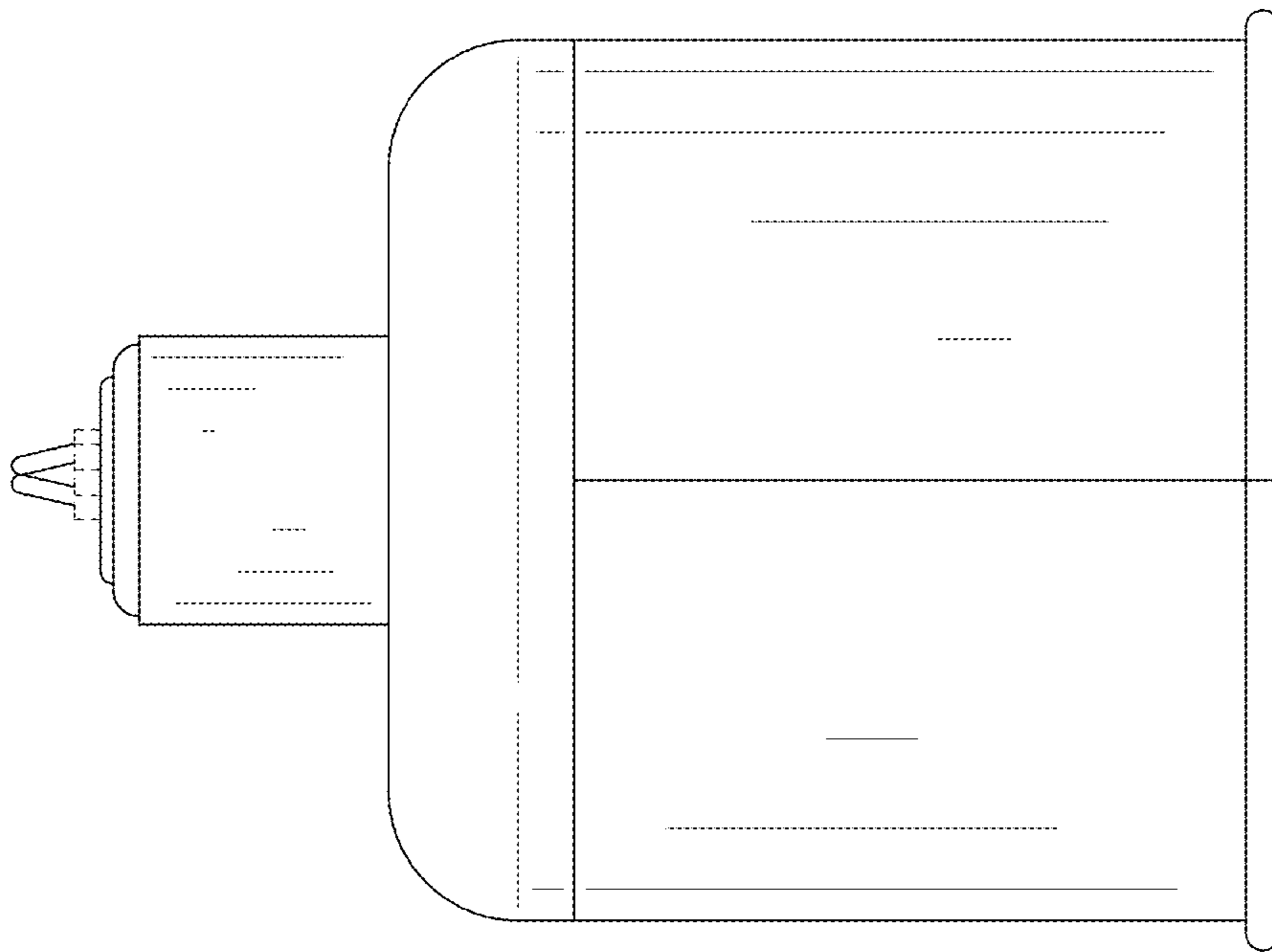


FIG. 6

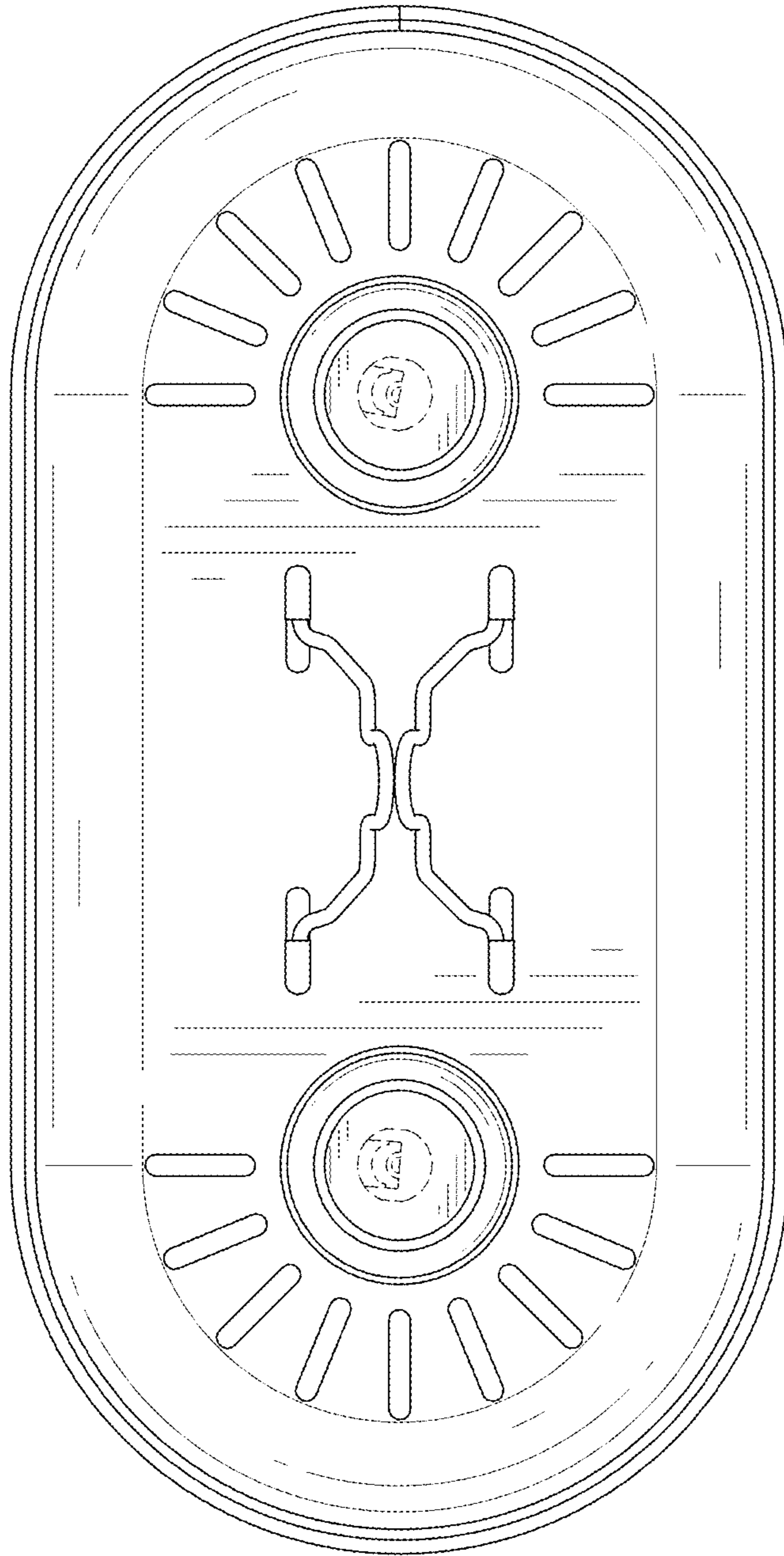


FIG. 7

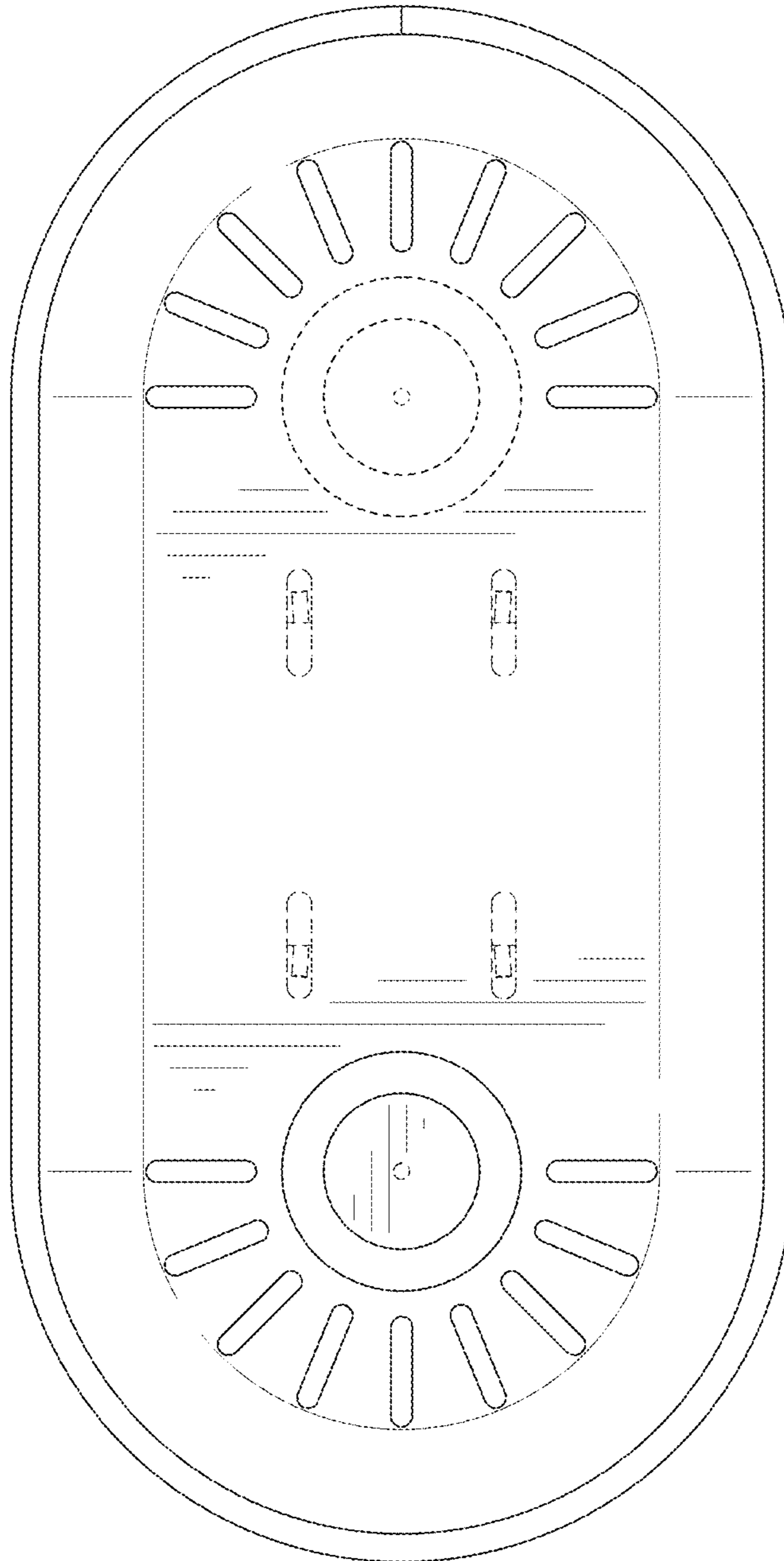


FIG. 8

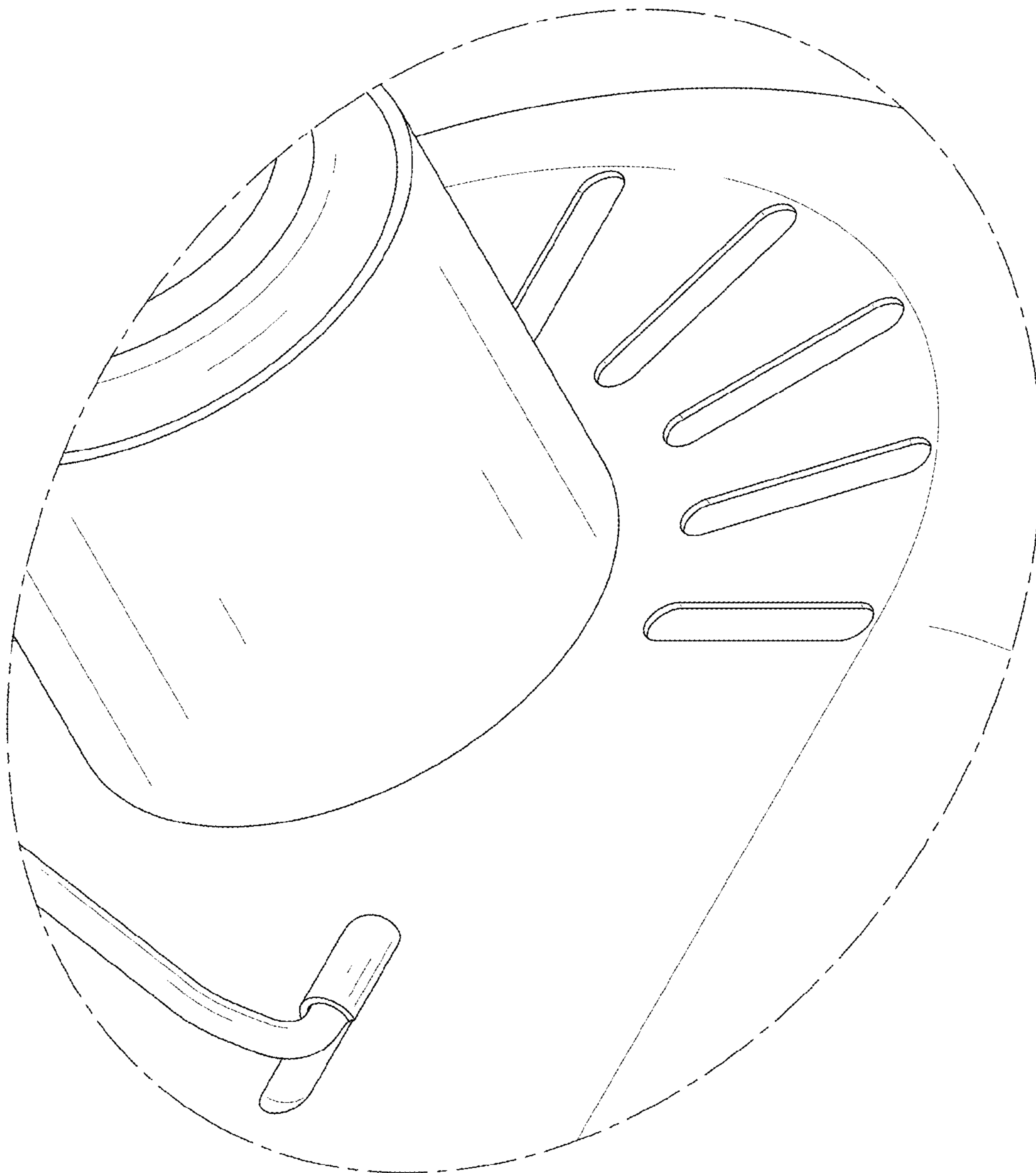


FIG. 9