



US00D956329S

(12) **United States Design Patent**  
**Clark**

(10) **Patent No.:** **US D956,329 S**  
(45) **Date of Patent:** **\*\* Jun. 28, 2022**

(54) **LIGHTING FIXTURE WITH ACOUSTIC PANELS**

**DESCRIPTION**

- (71) Applicant: **3form, LLC**, Salt Lake City, UT (US)
- (72) Inventor: **Bruce W. Clark**, Redmond, WA (US)
- (73) Assignee: **3FORM, LLC**, Salt Lake City, UT (US)
- (\*\*) Term: **15 Years**
- (21) Appl. No.: **29/691,886**
- (22) Filed: **May 20, 2019**
- (51) **LOC (13) Cl.** ..... **26-05**
- (52) **U.S. Cl.**  
USPC ..... **D26/118**
- (58) **Field of Classification Search**  
USPC .... D26/81, 85, 88, 105, 106, 118, 119, 124,  
D26/128, 129, 135, 137; 362/317, 355,  
362/359, 362, 363  
CPC .... F21V 1/00; F21V 1/04; F21V 1/06; F21V  
1/14; F21V 1/18; F21V 1/20; F21V 1/22;  
F21V 1/24; F21V 1/143; F21V 7/00;  
F21V 7/041; F21V 7/043; F21V 7/0091;  
F21V 3/00; F21V 3/02; F21V 3/049;  
F21V 3/061; F21V 3/0615; F21V 15/00;  
F21V 15/01; F21V 15/012  
See application file for complete search history.

FIG. 1 is a front, top perspective view of a lighting fixture with acoustic panels;  
 FIG. 2 is a front elevation view thereof;  
 FIG. 3 is a back elevation view thereof;  
 FIG. 4 is a right elevation view thereof;  
 FIG. 5 is a left elevation view thereof;  
 FIG. 6 is a top plan view thereof;  
 FIG. 7 is a bottom plan view thereof;  
 FIG. 8 is a front, top perspective view showing the acoustic panels removed;  
 FIG. 9 is front elevation view thereof;  
 FIG. 10 is a back elevation view thereof;  
 FIG. 11 is a right elevation view thereof;  
 FIG. 12 is a left elevation view thereof;  
 FIG. 13 is a top plan view thereof;  
 FIG. 14 is a bottom plan view thereof;  
 FIG. 15 is a front, top perspective view of an alternative embodiment of a lighting fixture with acoustic panels;  
 FIG. 16 is a front elevation view thereof;  
 FIG. 17 is a back elevation view thereof;  
 FIG. 18 is a right elevation view thereof;  
 FIG. 19 is a left elevation view thereof;  
 FIG. 20 is a top plan view thereof;  
 FIG. 21 is a bottom plan view thereof;  
 FIG. 22 is a front, top perspective view showing the acoustic panels removed;  
 FIG. 23 is front elevation view thereof;  
 FIG. 24 is a back elevation view thereof;  
 FIG. 25 is a right elevation view thereof;  
 FIG. 26 is a left elevation view thereof;  
 FIG. 27 is a top plan view thereof; and,  
 FIG. 28 is a bottom plan view thereof.

The broken lines in the drawings depict portions of the lighting fixture with acoustic panels that form no part of the claimed design.

(56) **References Cited**

**U.S. PATENT DOCUMENTS**

- 2,817,008 A \* 12/1957 Cloer ..... F21V 1/00  
362/356
- D652,984 S \* 1/2012 Schaeken ..... D26/128  
(Continued)

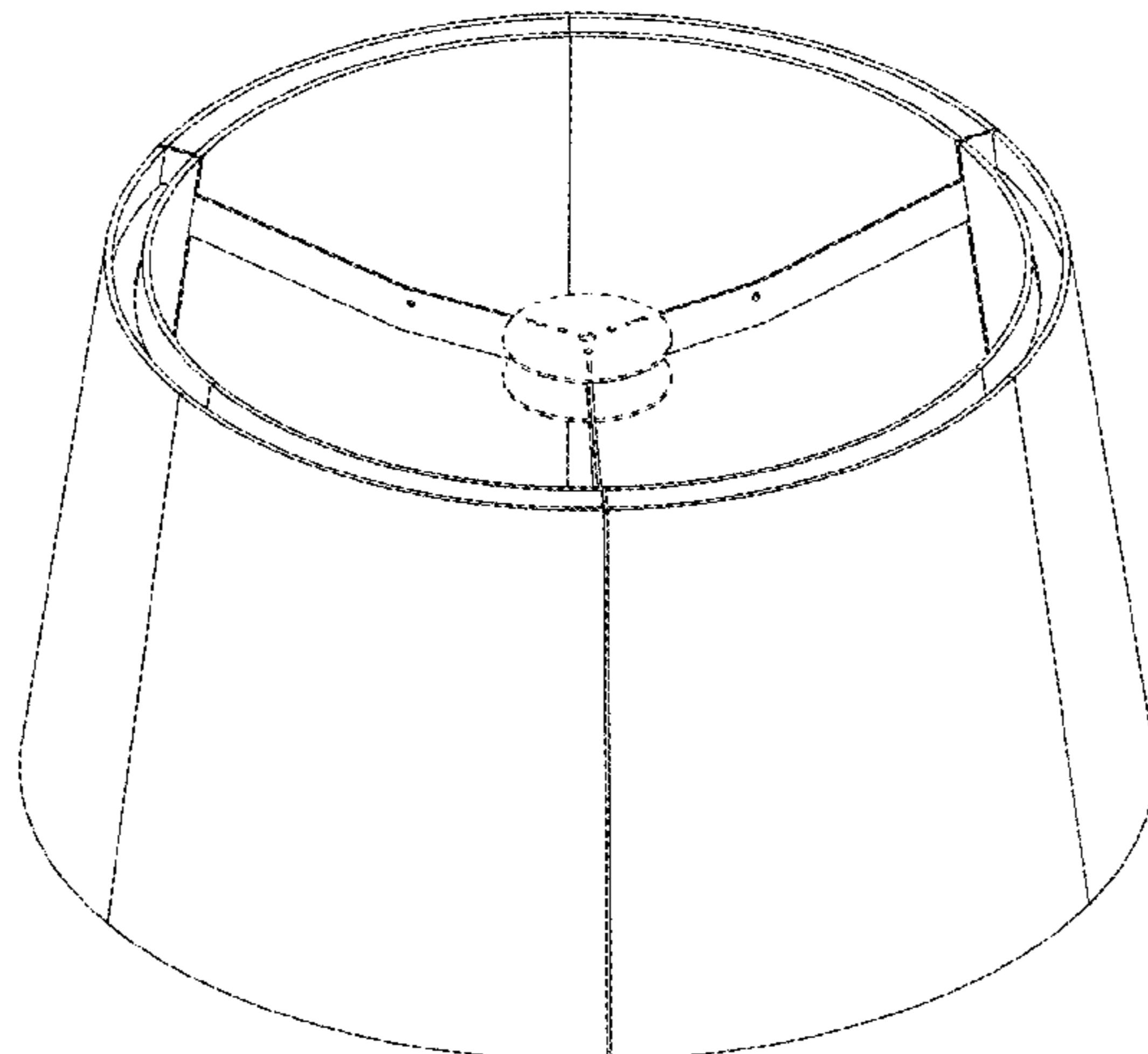
*Primary Examiner* — Clint A Samuel

(74) *Attorney, Agent, or Firm* — Workman Nydegger

(57) **CLAIM**

The ornamental design for a lighting fixture with acoustic panels, as shown and described.

**1 Claim, 18 Drawing Sheets**



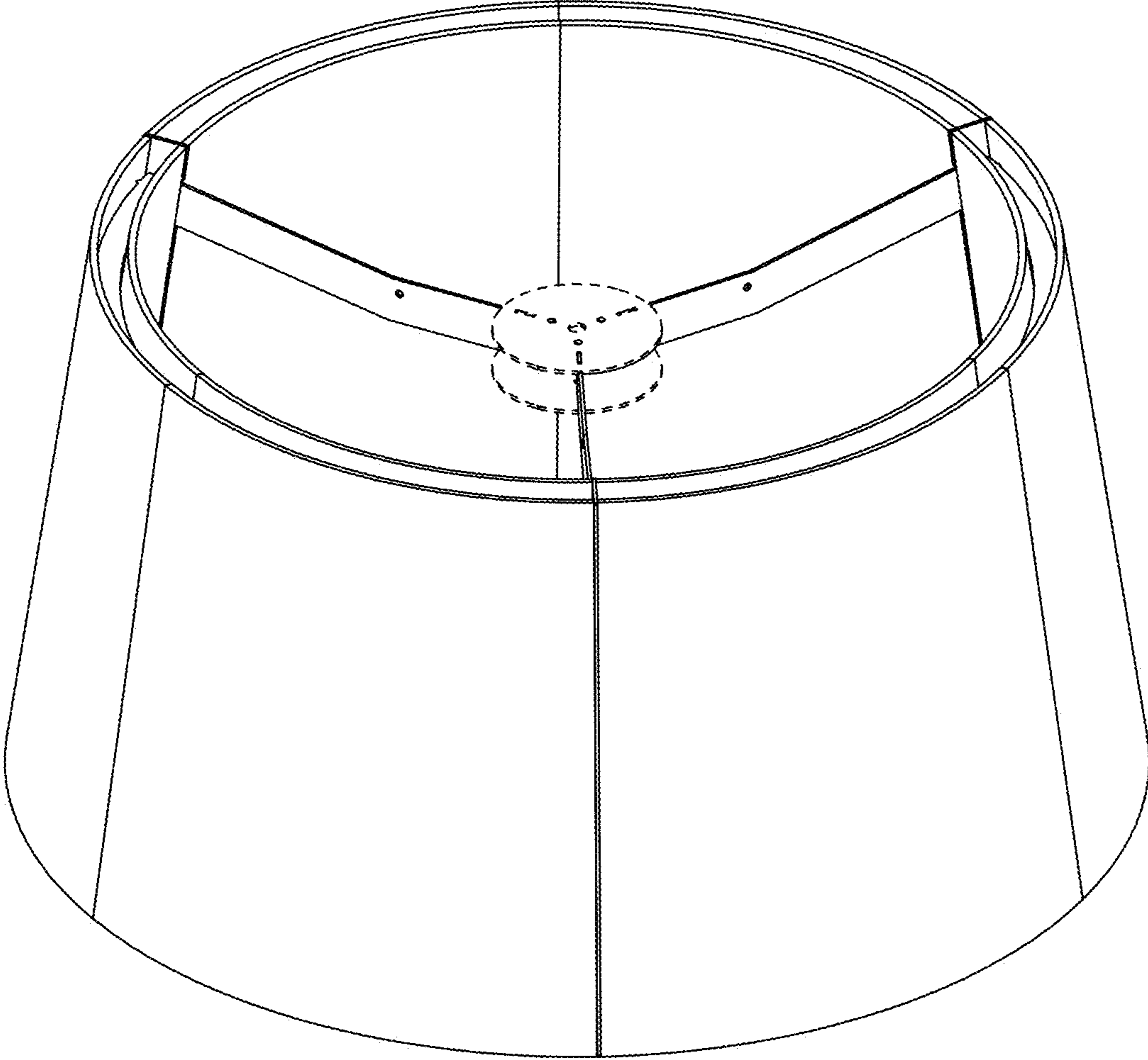
(56)

**References Cited**

U.S. PATENT DOCUMENTS

8,136,968 B2 *	3/2012	Chiu .....	F21V 17/102 362/403
8,393,762 B2 *	3/2013	Wu .....	F21V 17/105 362/352
D746,508 S *	12/2015	Deluca .....	D26/118
D755,438 S *	5/2016	Kimmet .....	D26/118
11,009,211 B1 *	5/2021	Zhong .....	F21V 1/06
D927,040 S *	8/2021	Herzog .....	D26/81
2013/0010477 A1 *	1/2013	Wu .....	F21V 17/007 362/351
2013/0201695 A1 *	8/2013	Lewis .....	F21V 1/02 362/353
2016/0131326 A1 *	5/2016	Yen .....	F21V 1/16 362/352
2018/0292072 A1 *	10/2018	Carroll .....	F21V 1/143
2018/0340669 A1 *	11/2018	Du .....	F21V 1/04
2019/0101279 A1 *	4/2019	Taddei .....	F21S 6/005
2021/0310631 A1 *	10/2021	Chen .....	F21V 1/06

\* cited by examiner



**FIG. 1**

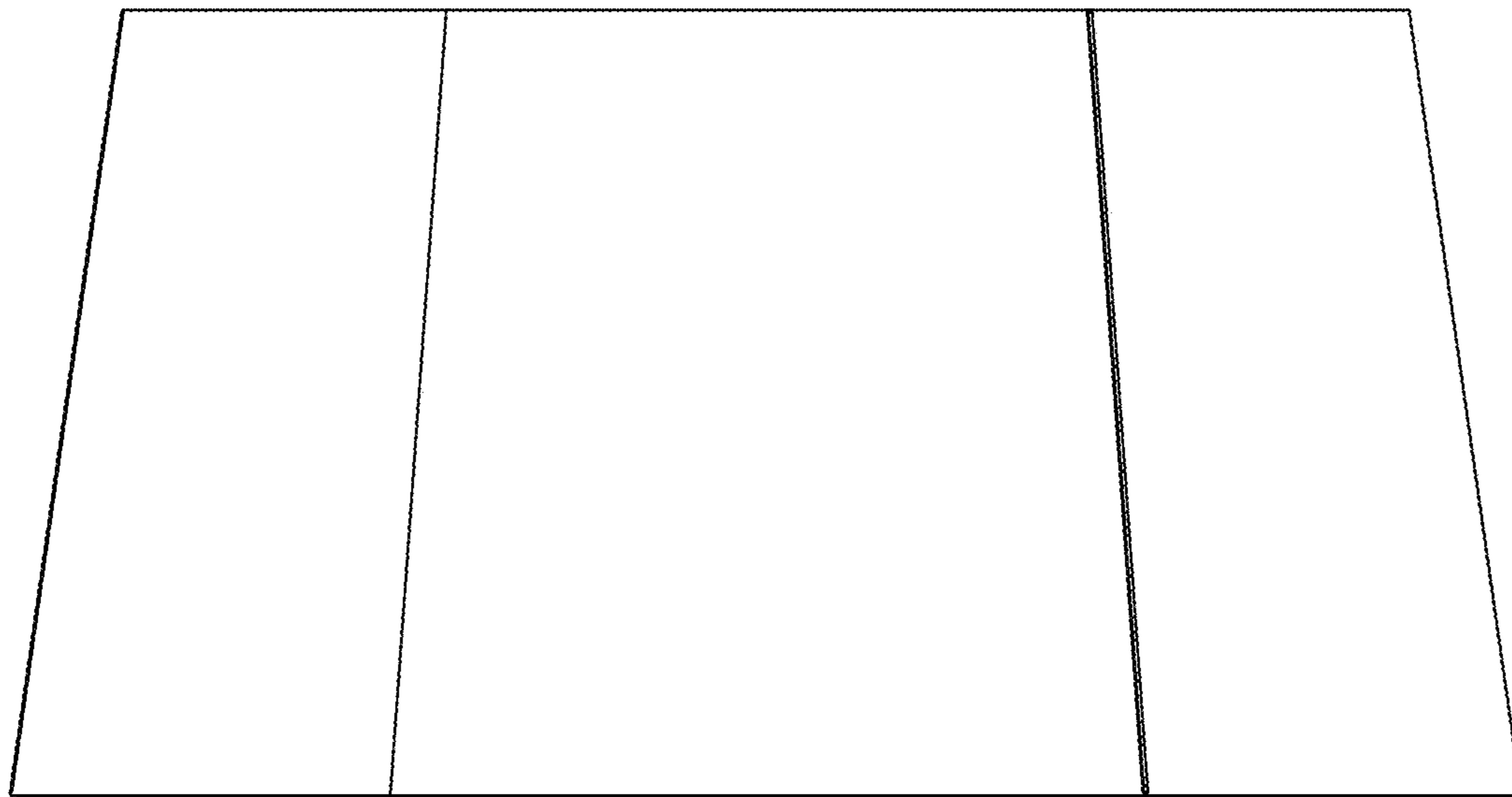


FIG. 2

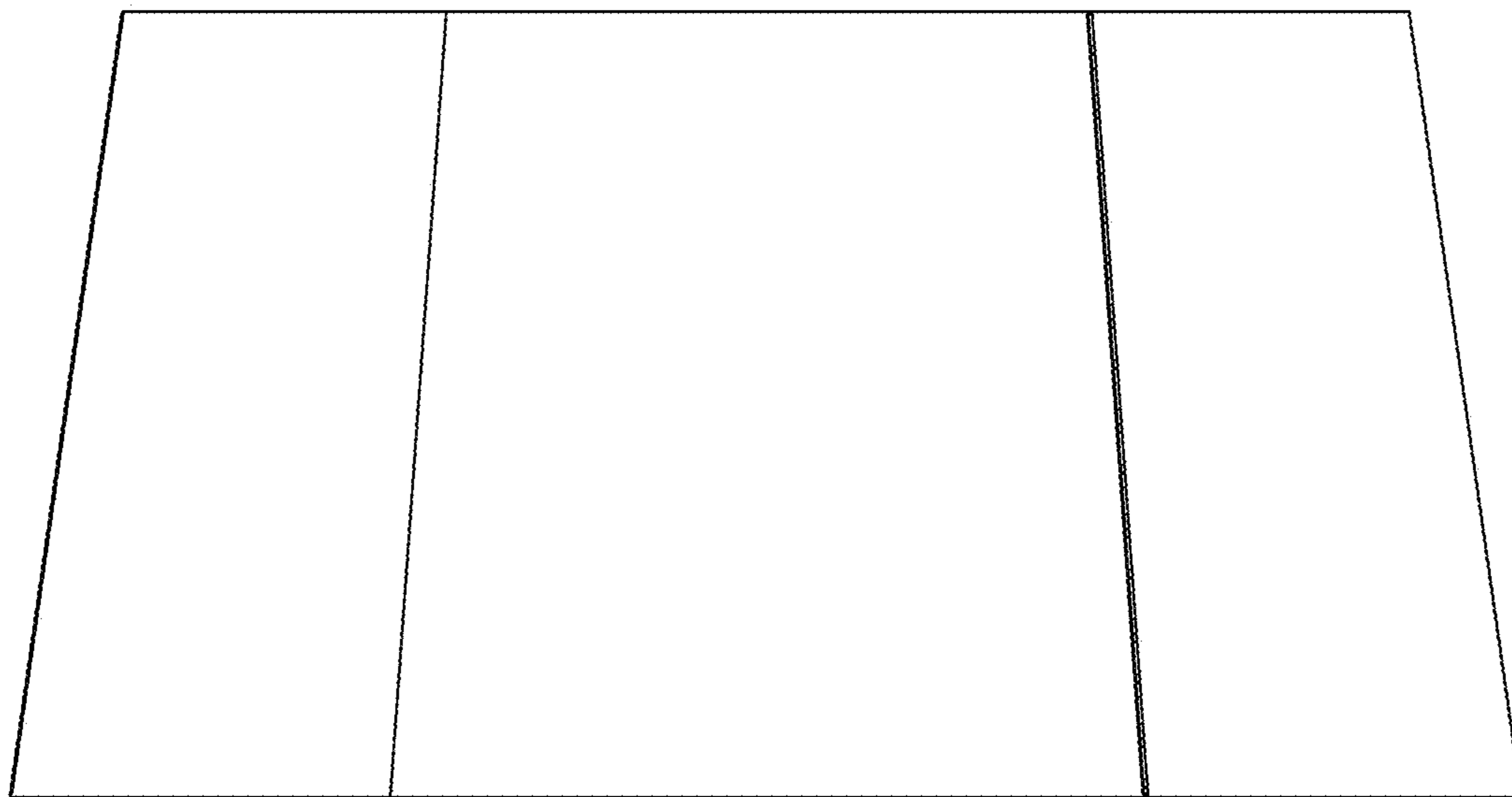
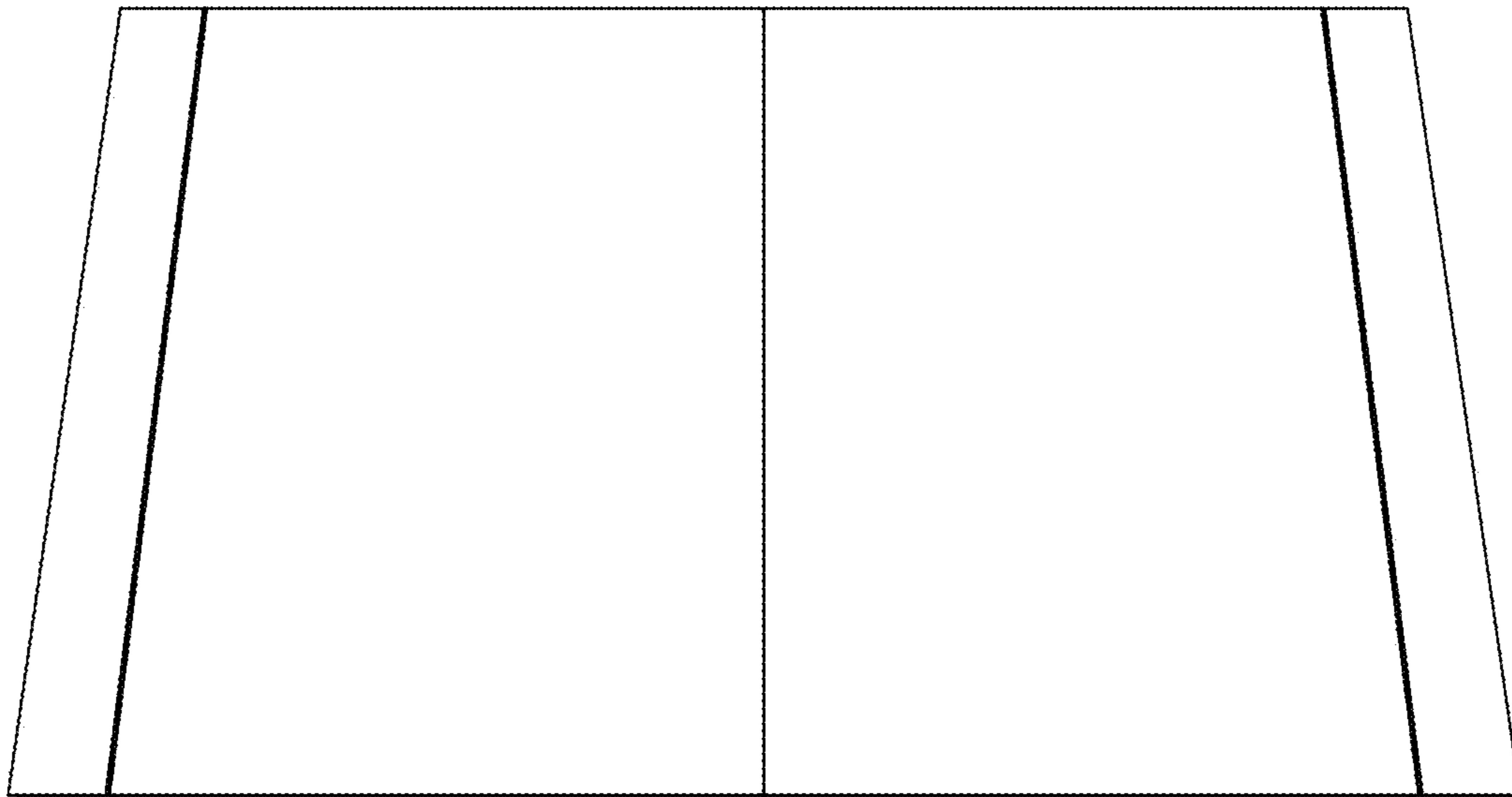
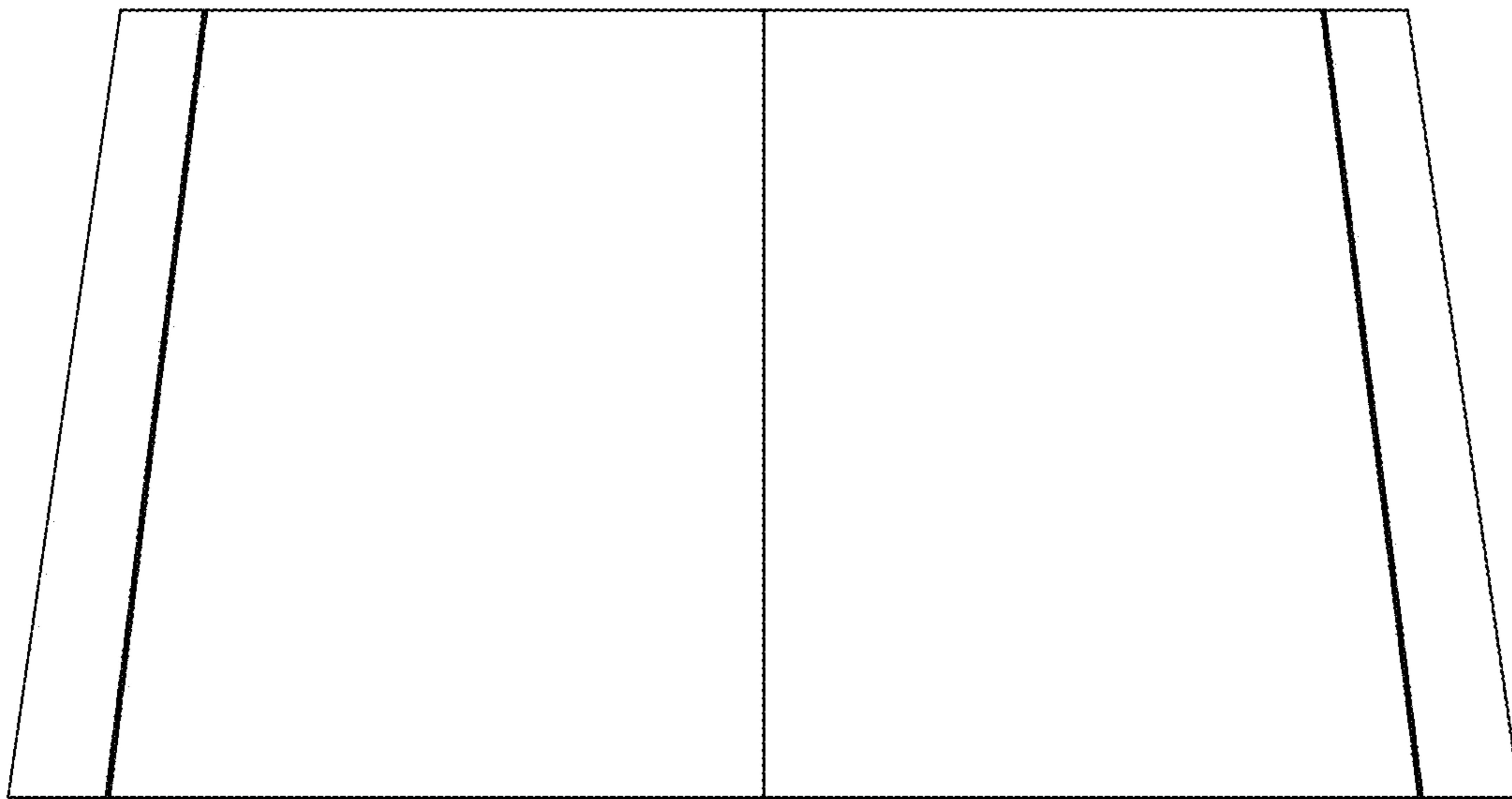


FIG. 3



**FIG. 4**



**FIG. 5**

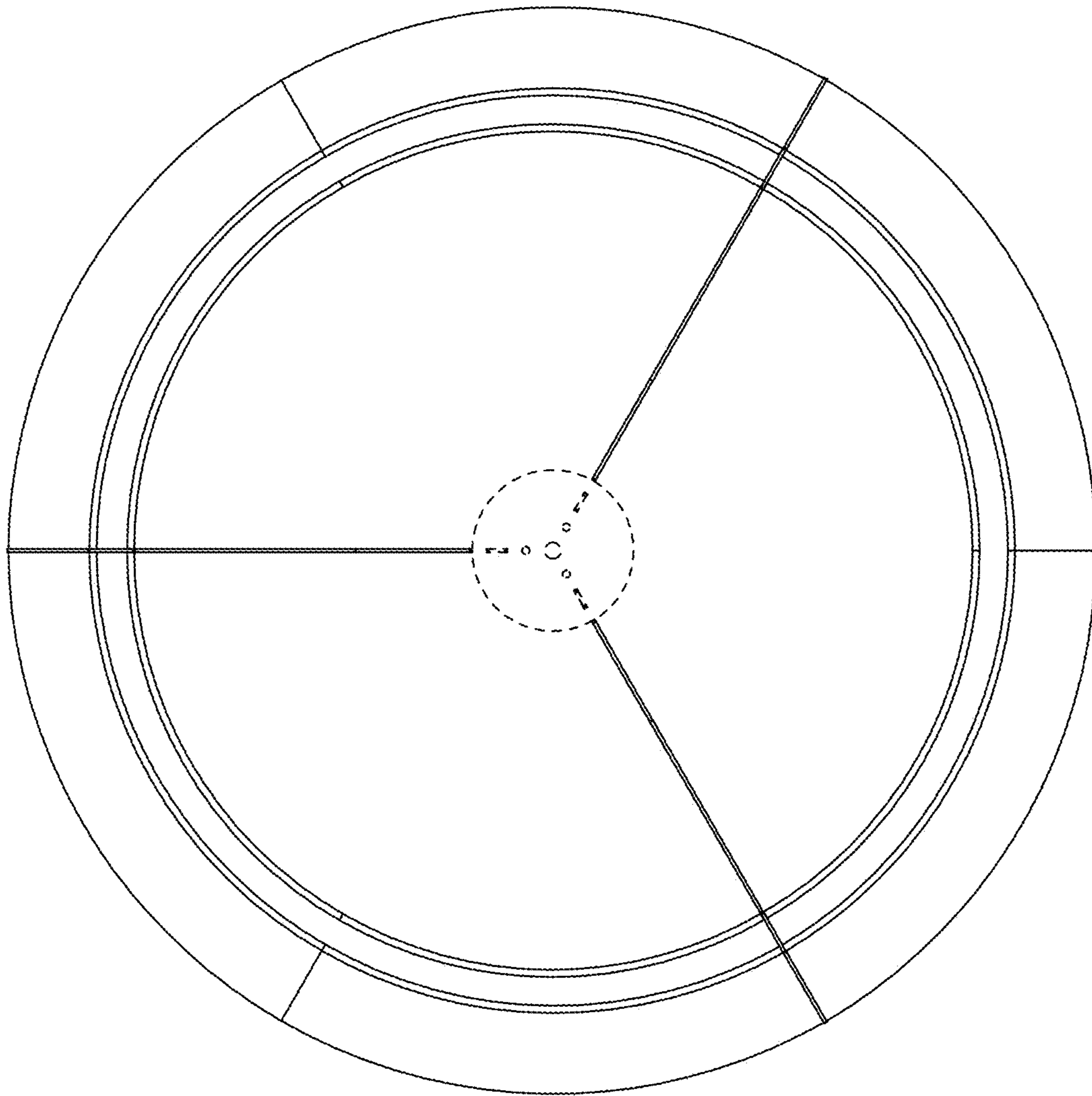


FIG. 6



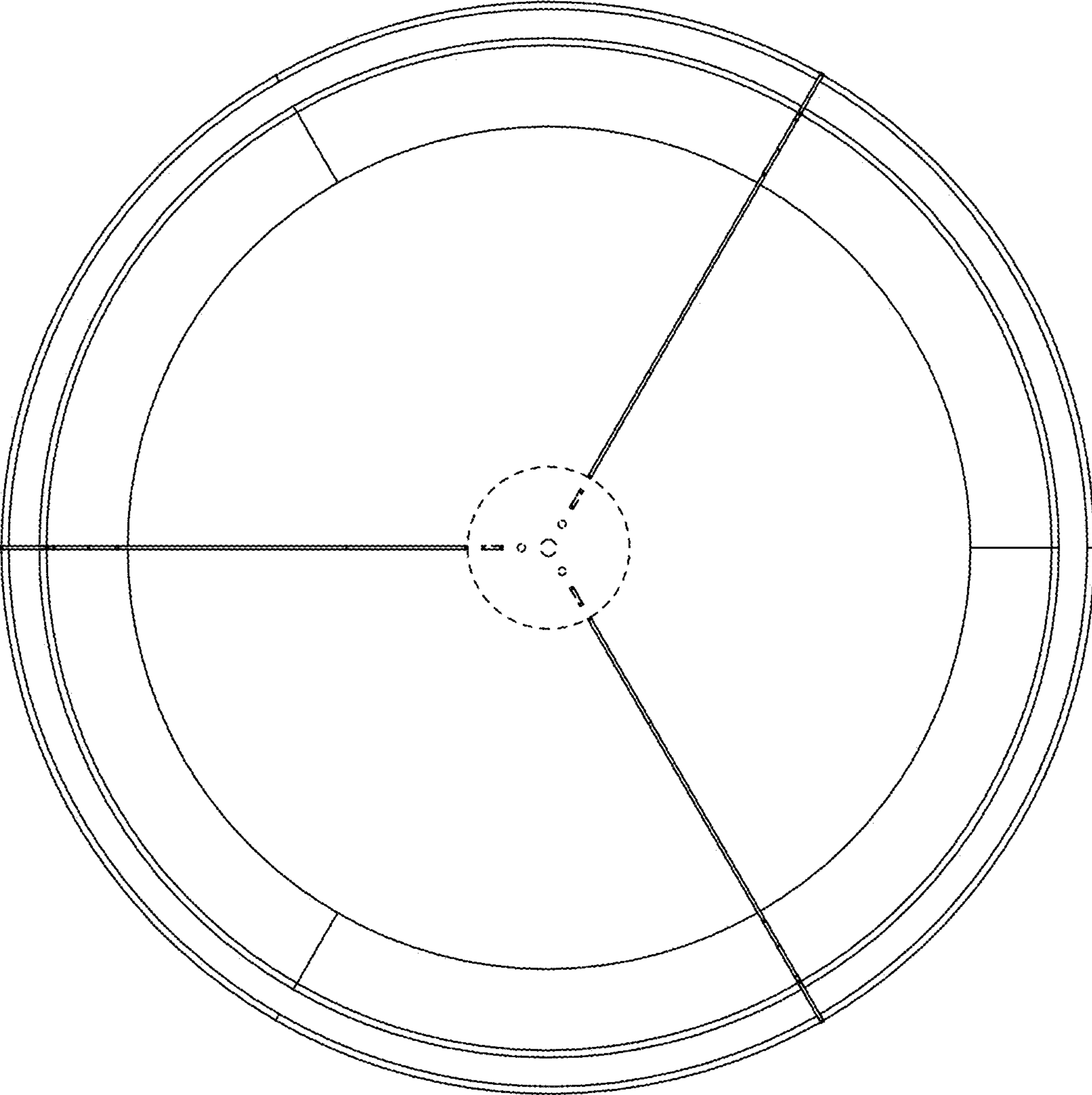


FIG. 7

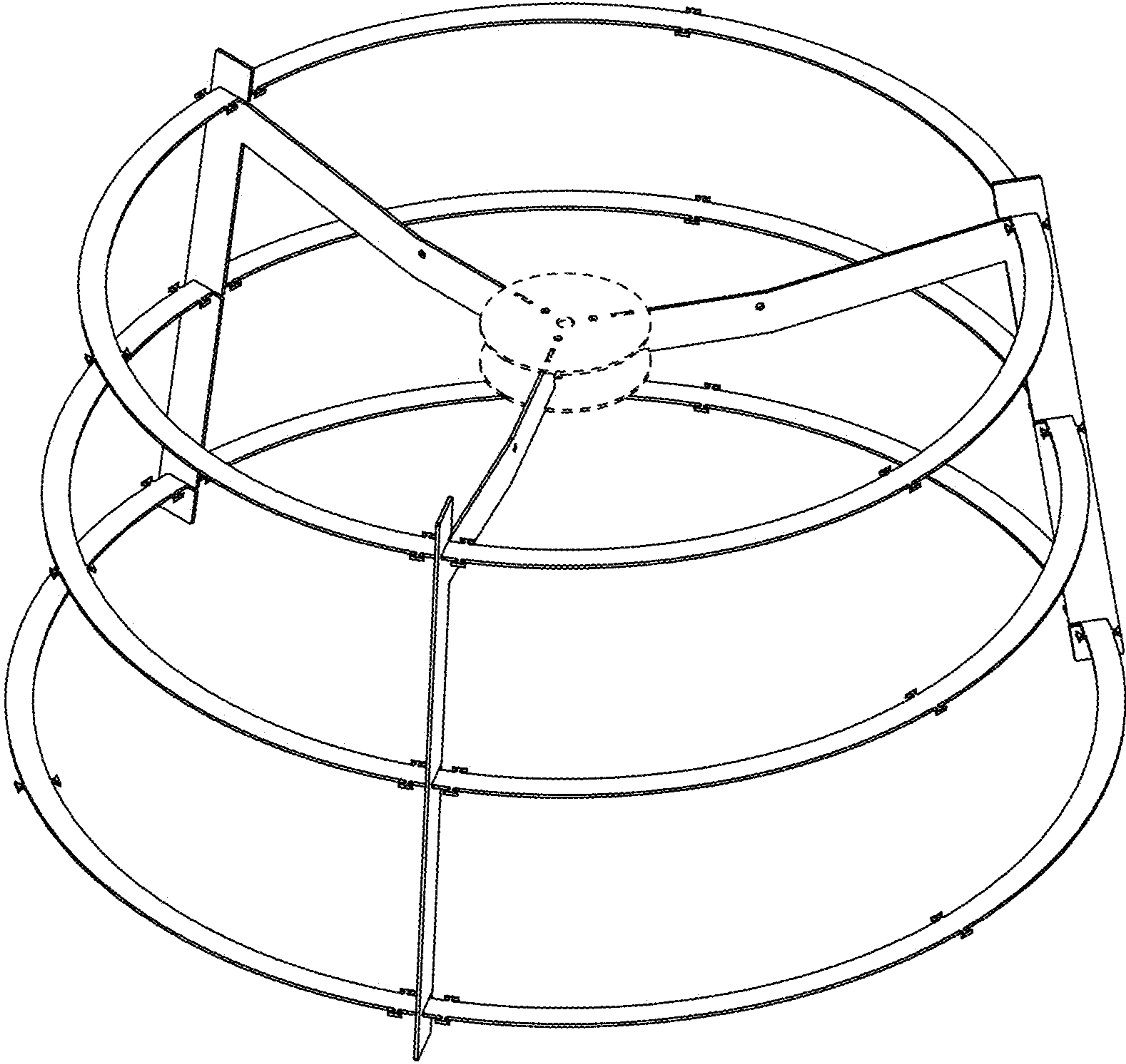


FIG. 8



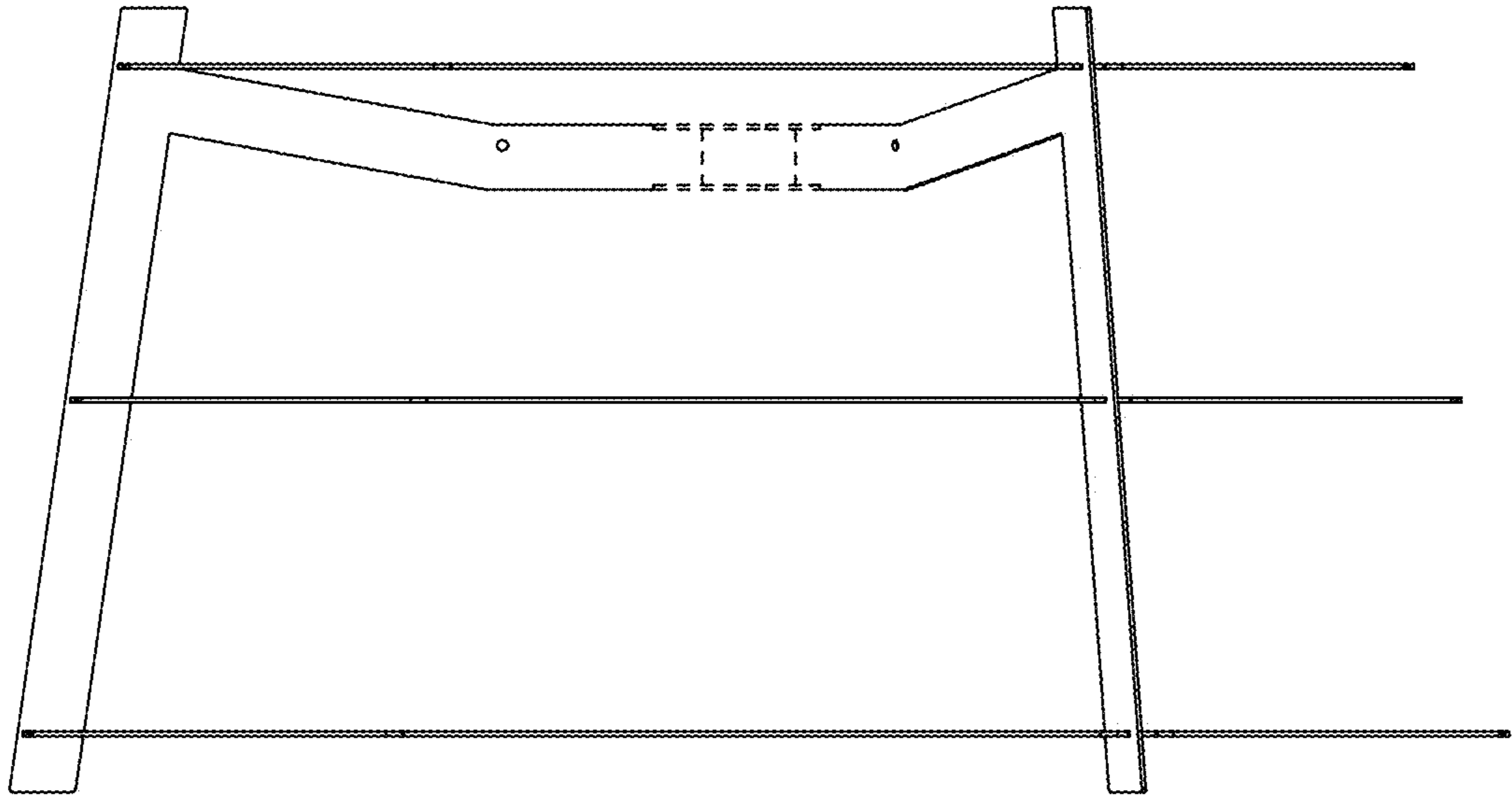


FIG. 9

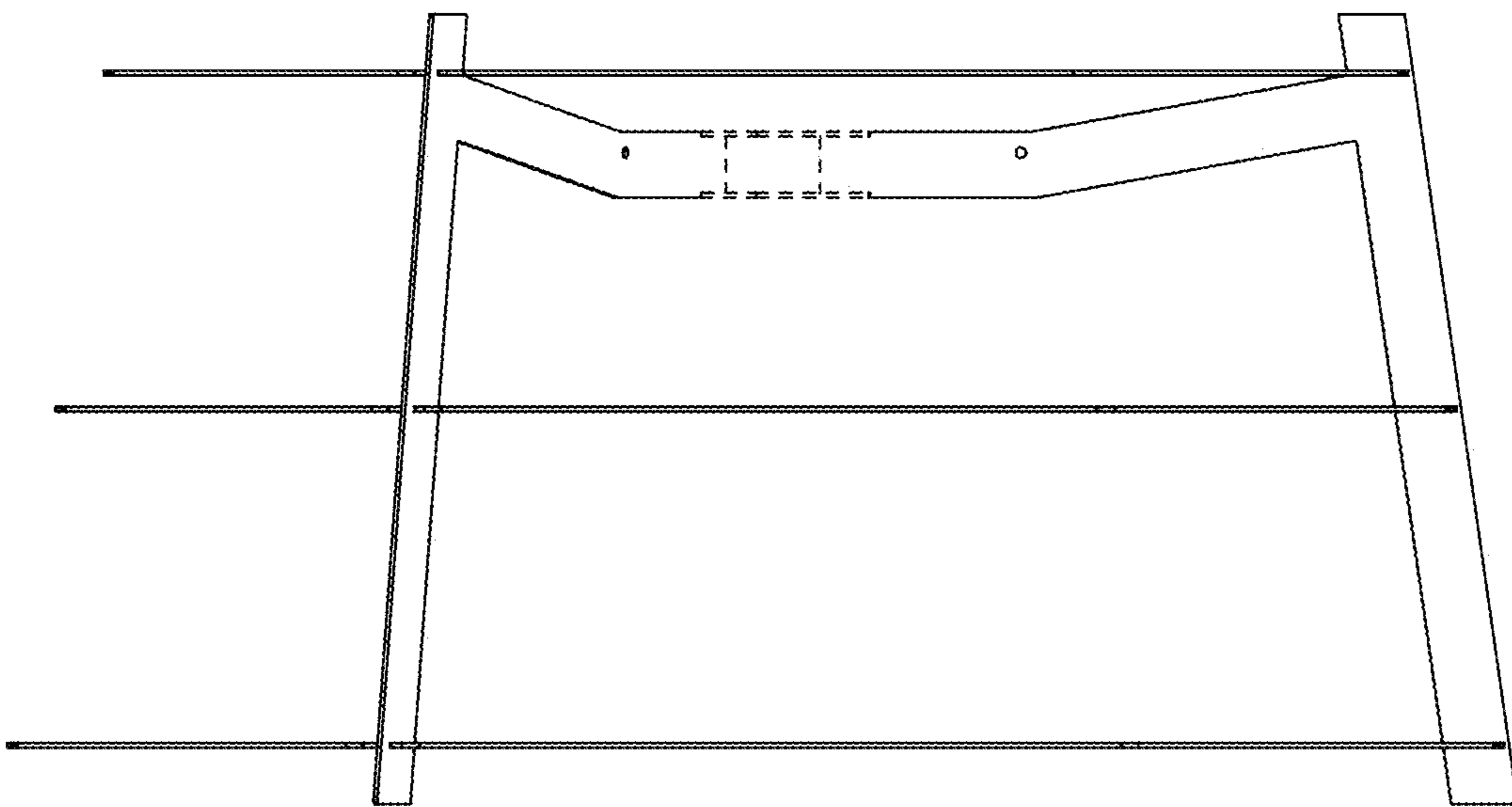


FIG. 10

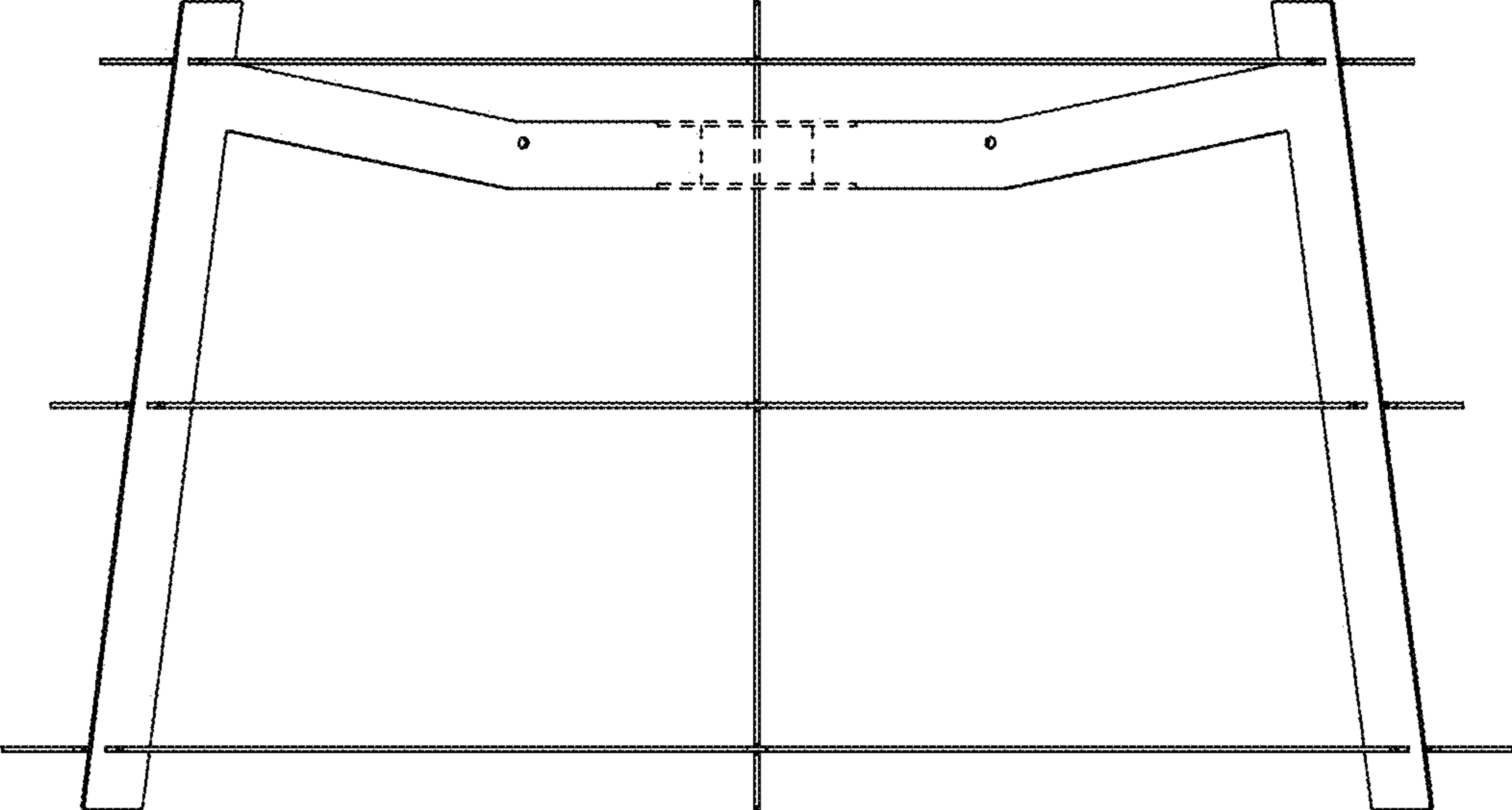


FIG. 11

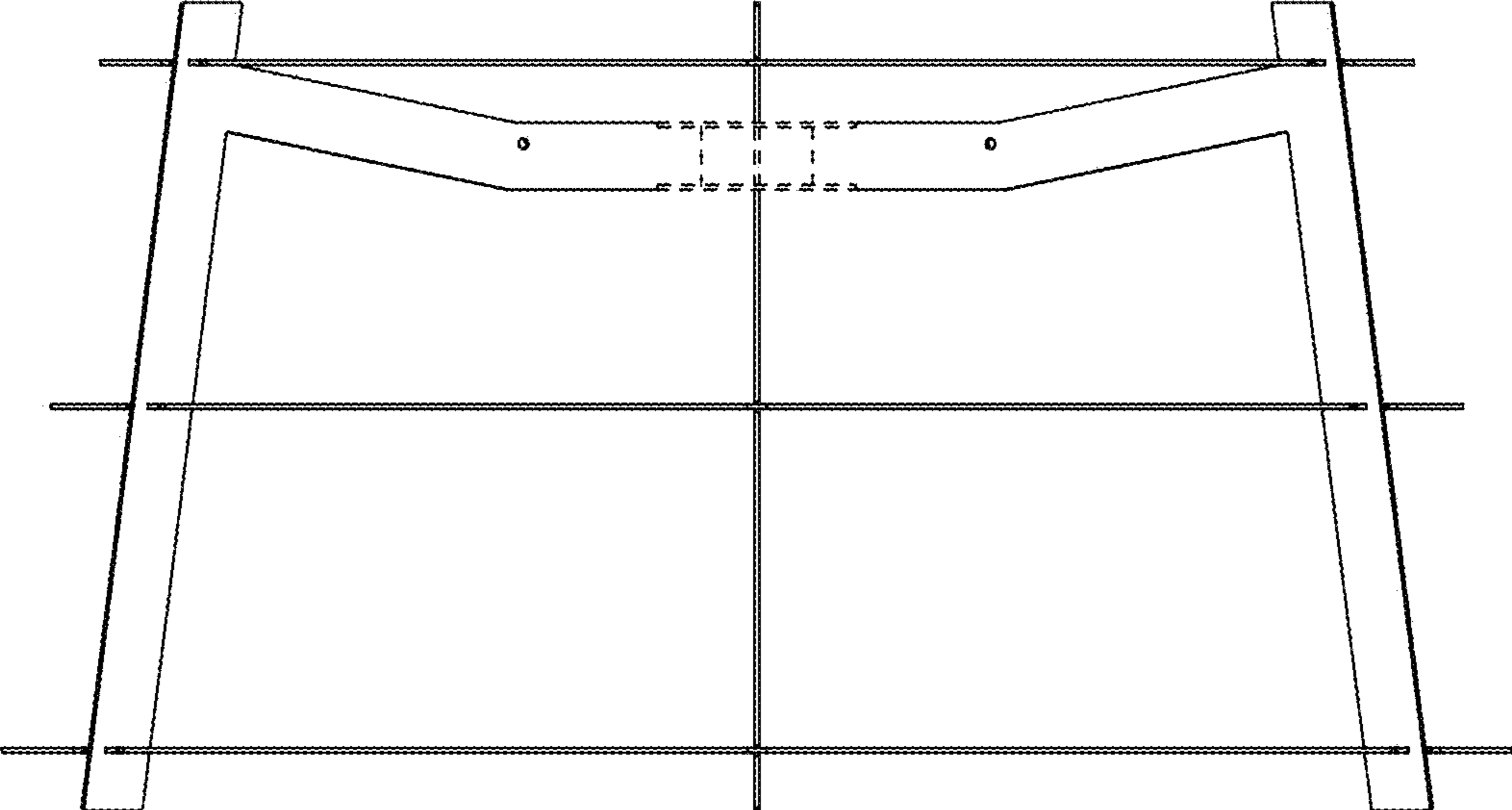


FIG. 12

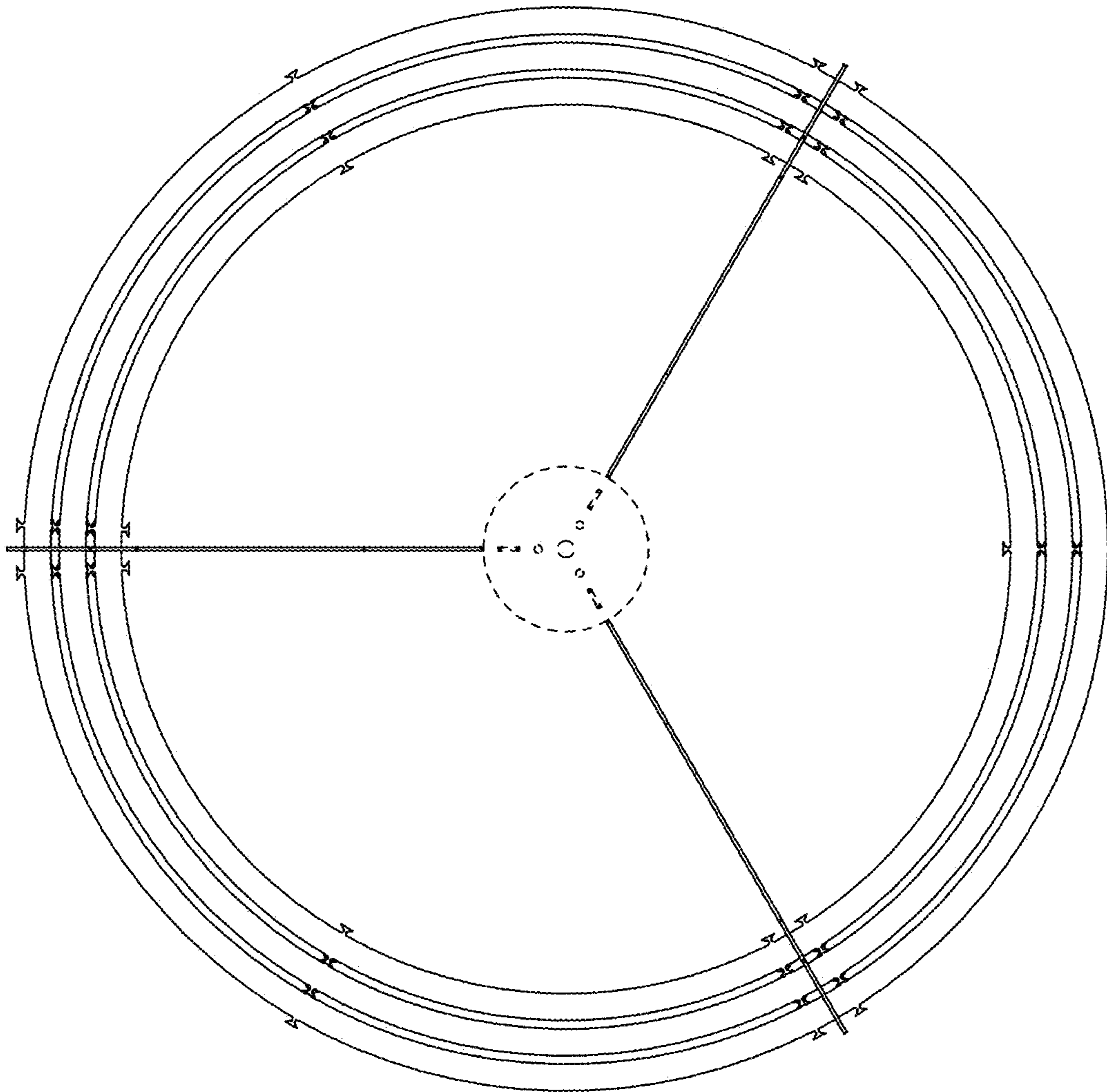


FIG. 13

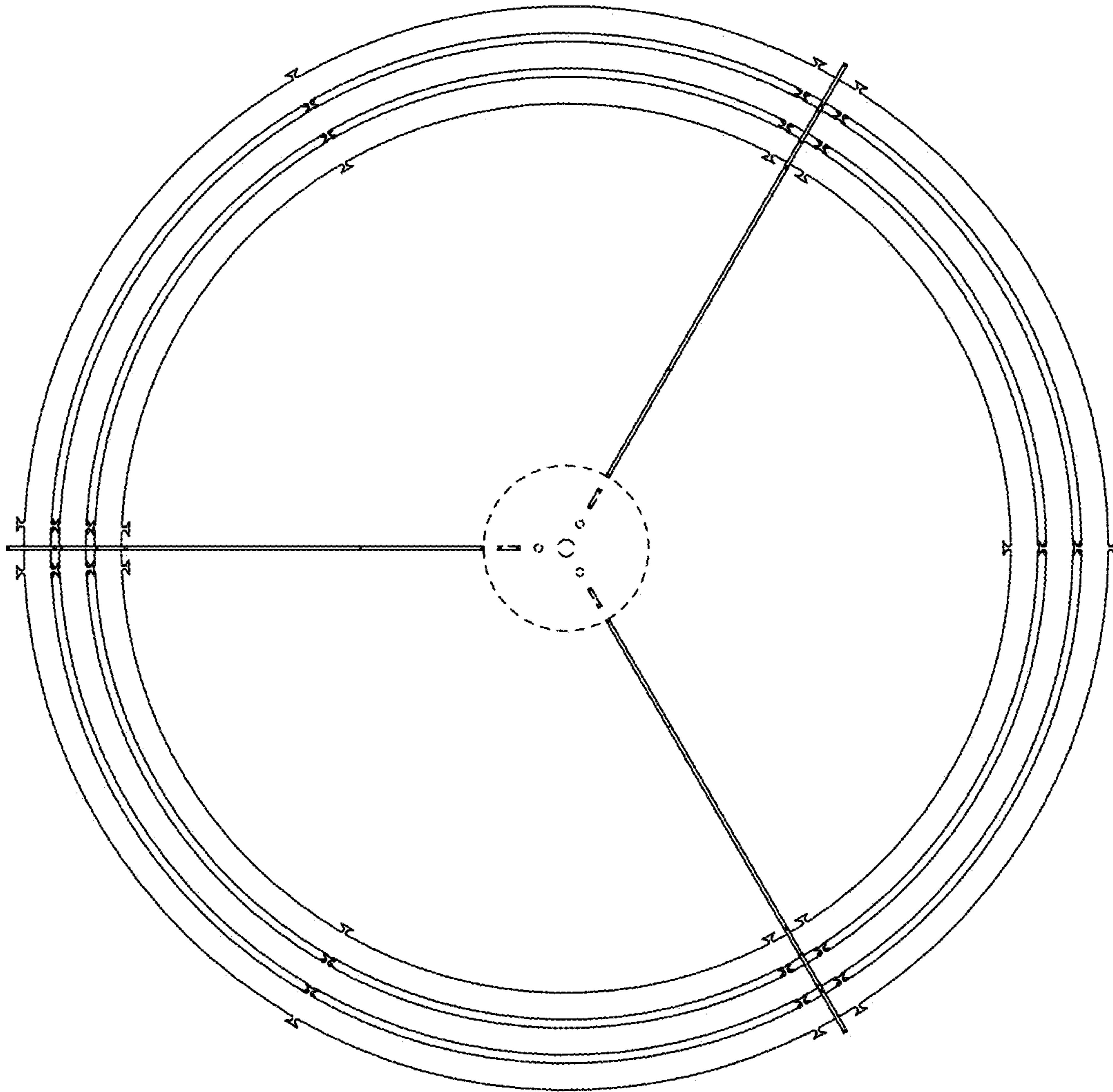
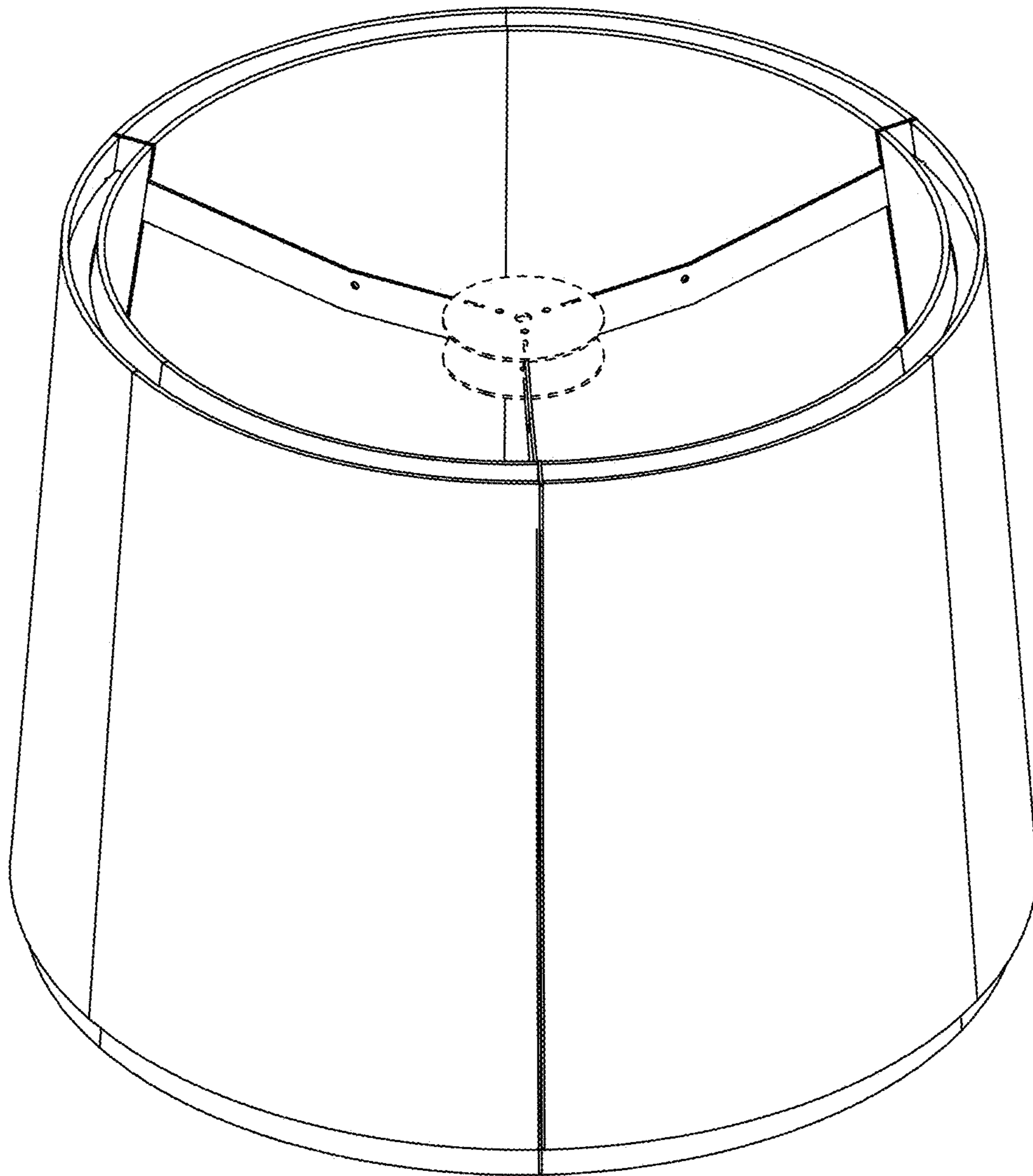
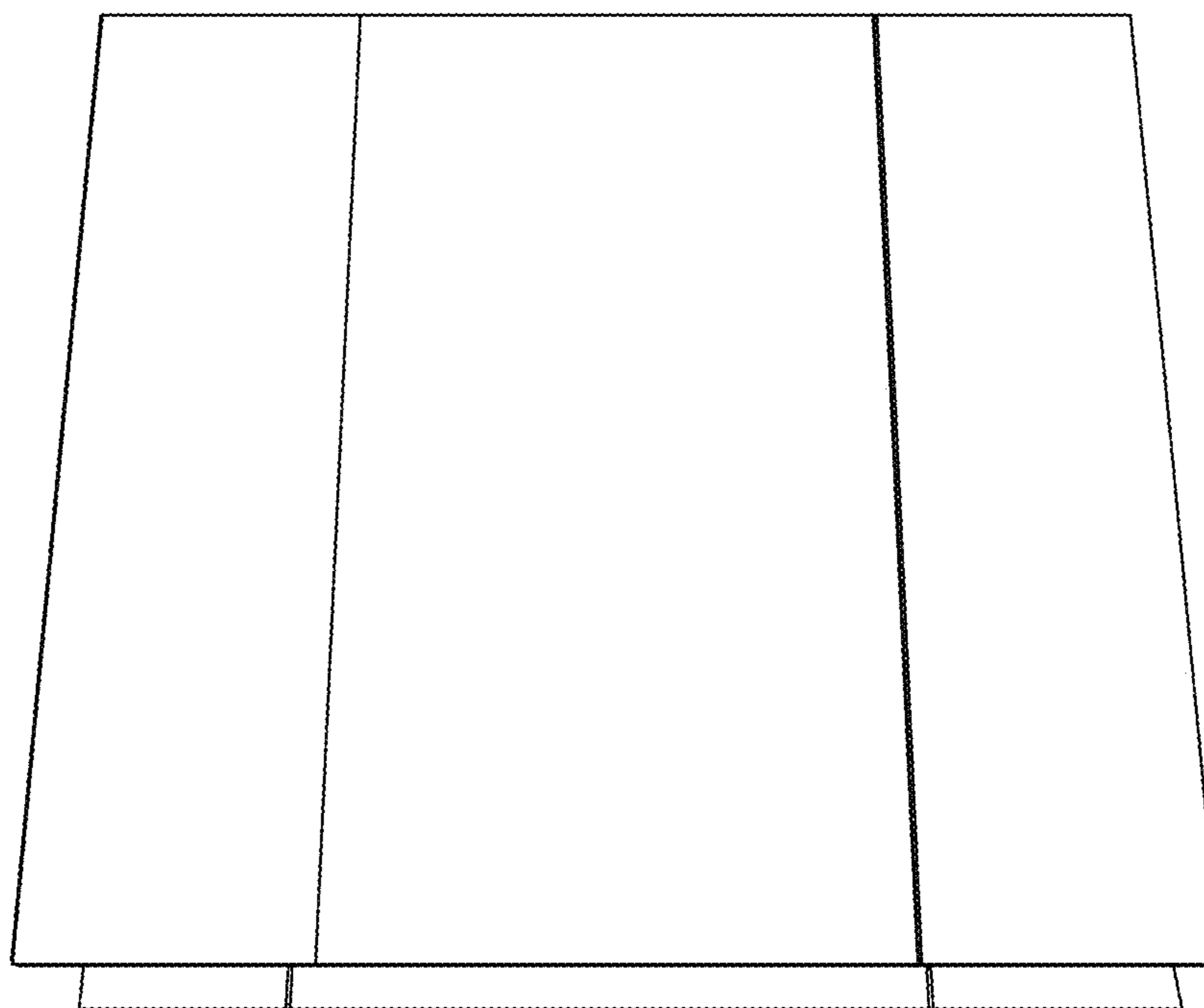


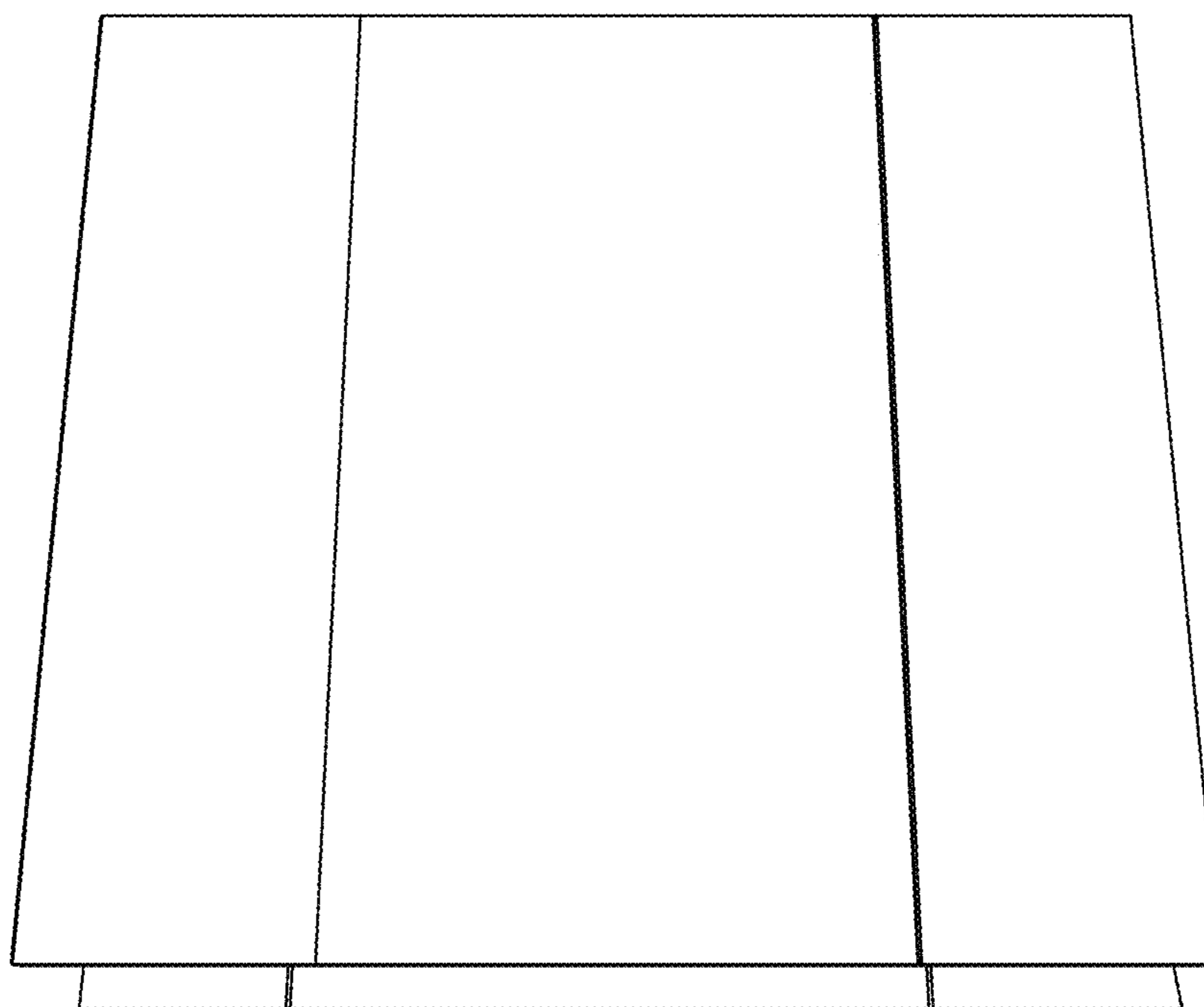
FIG. 14



**FIG. 15**

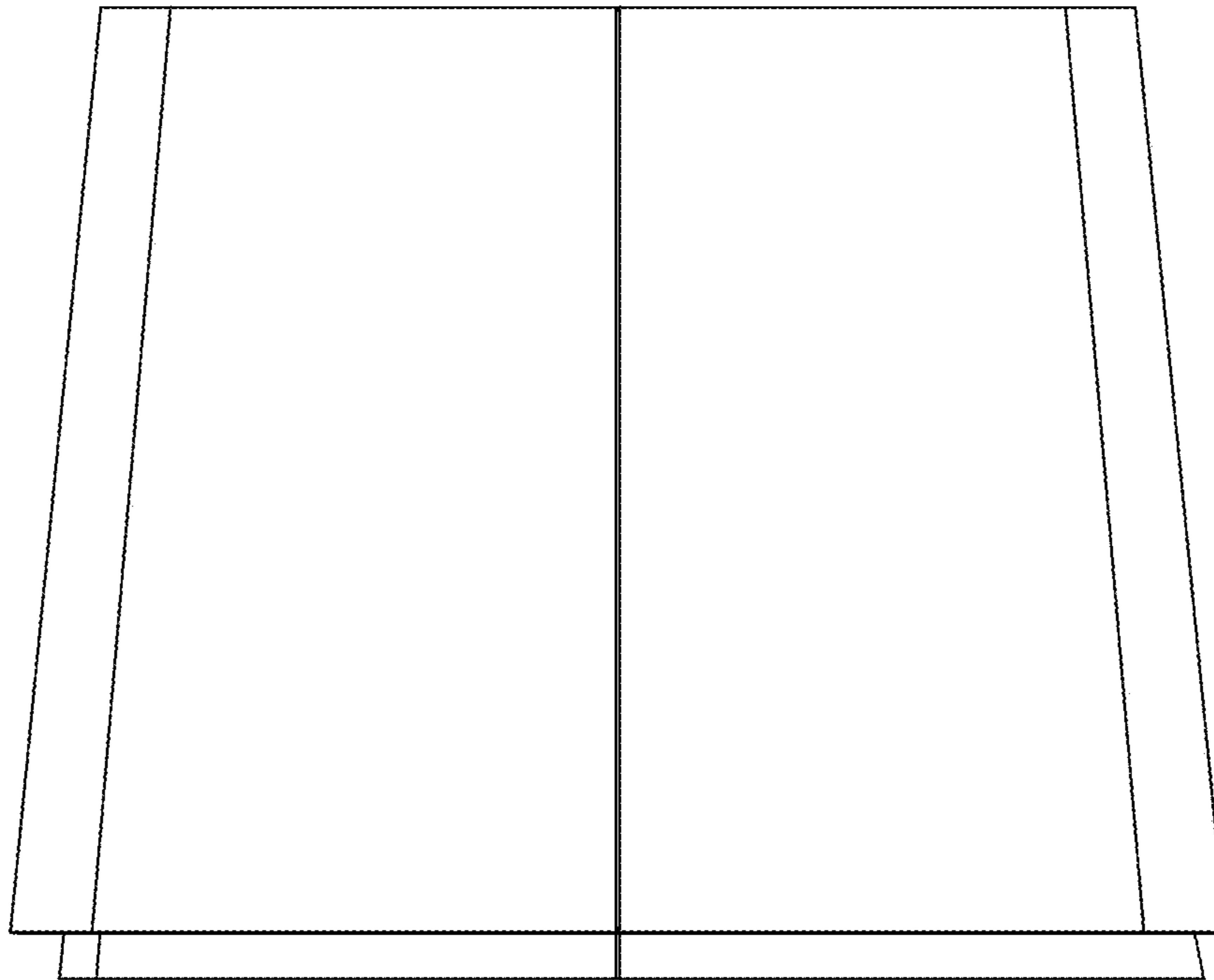


**FIG. 16**

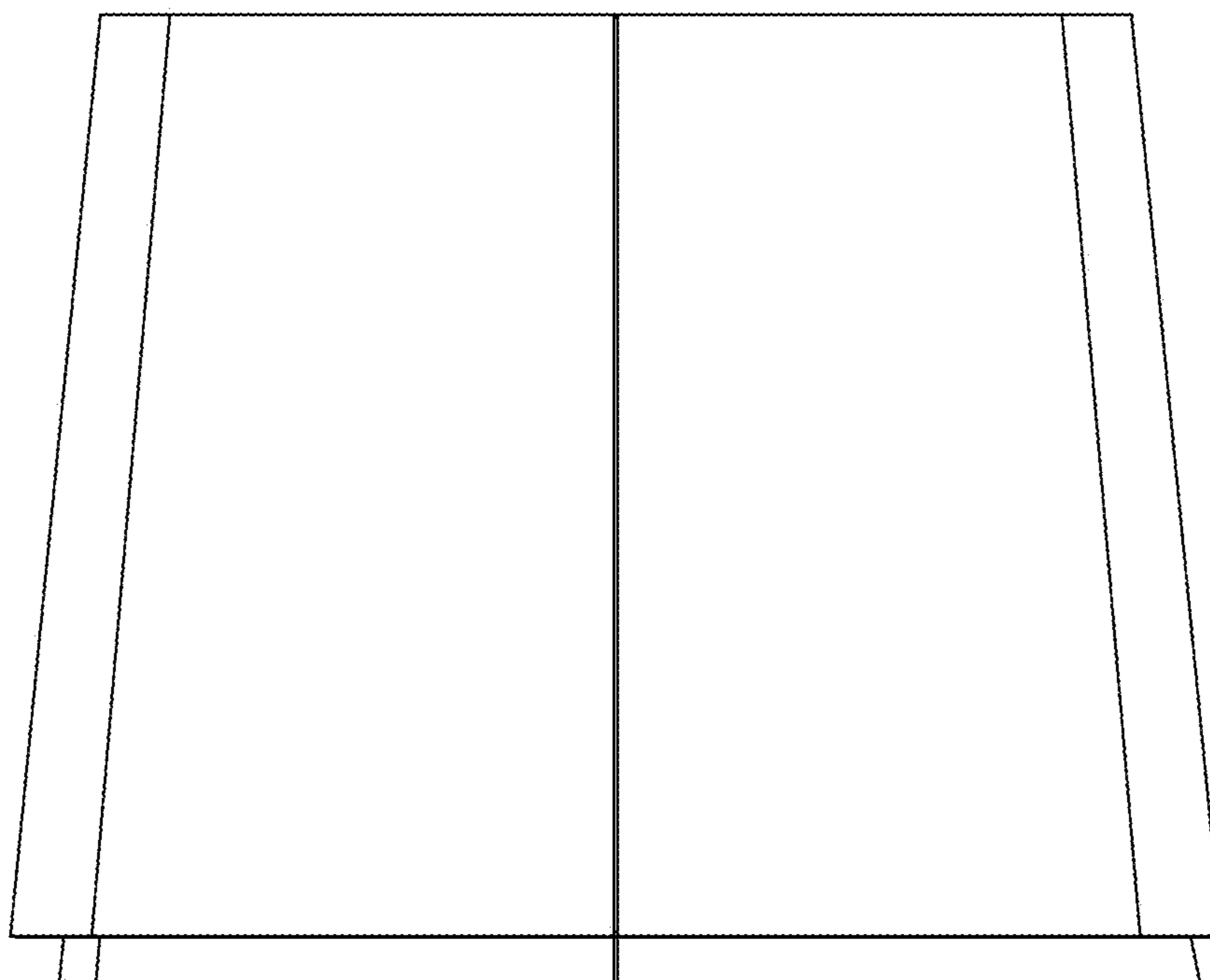


**FIG. 17**





**FIG. 18**



**FIG. 19**

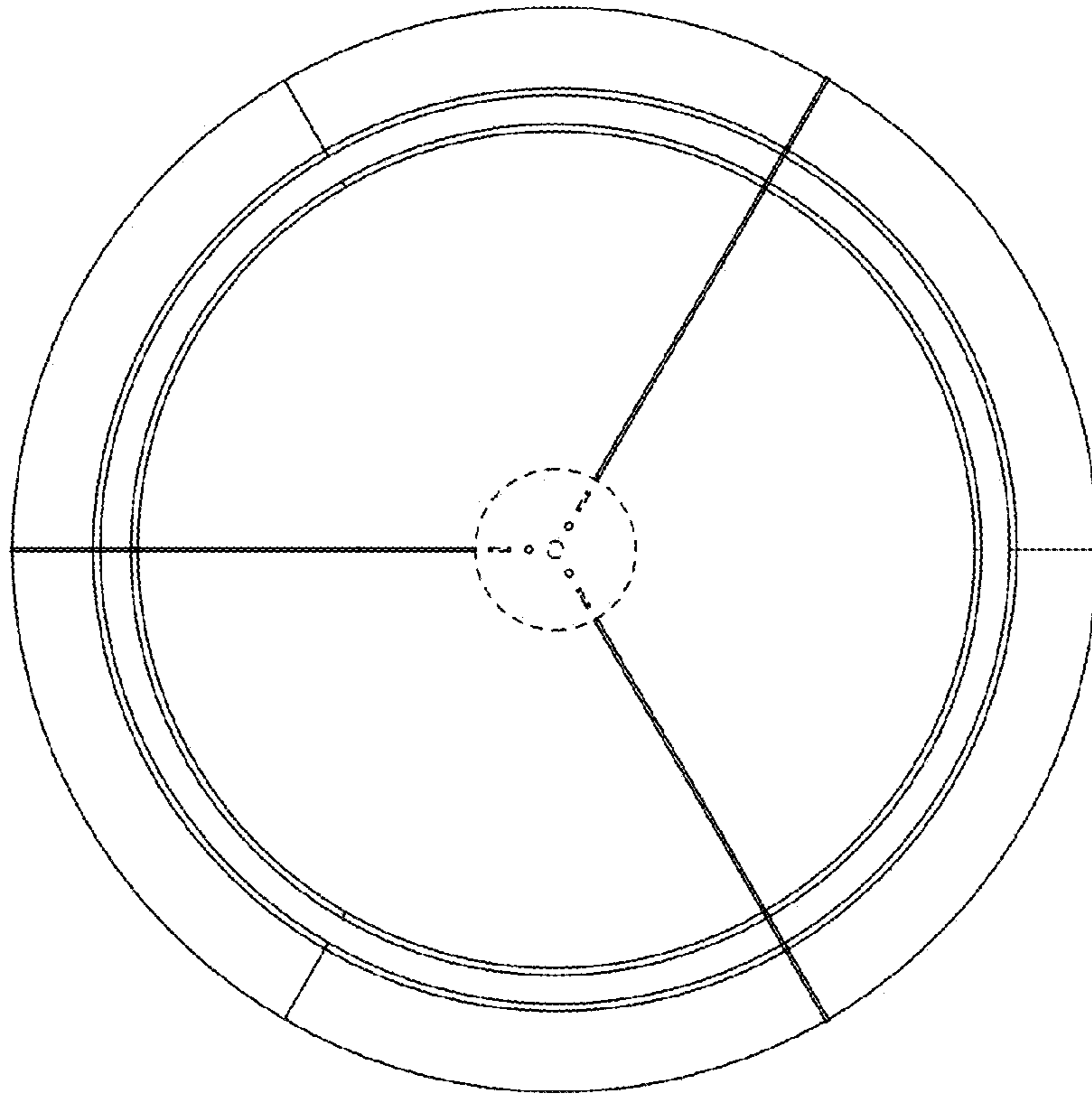


FIG. 20

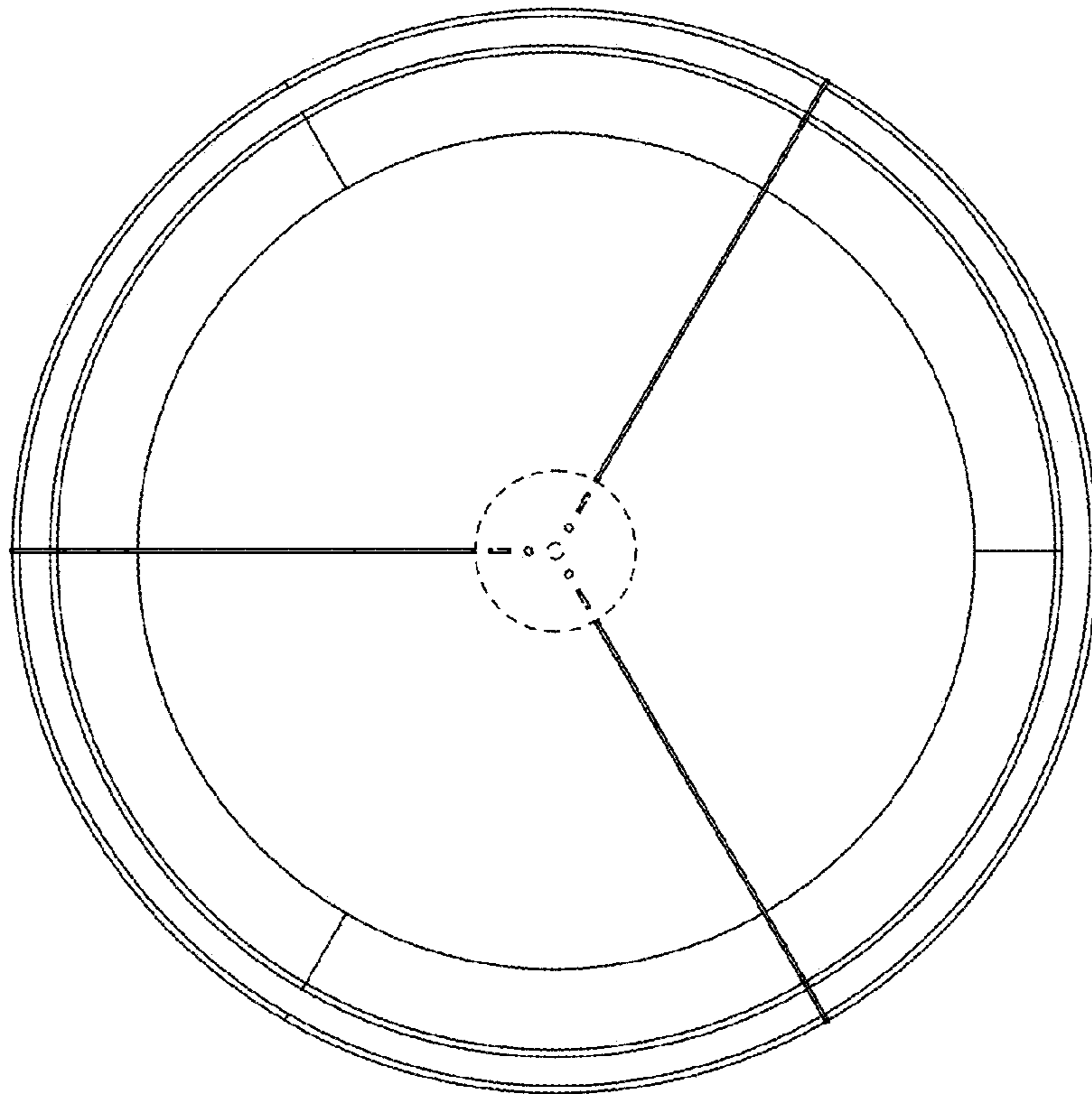


FIG. 21

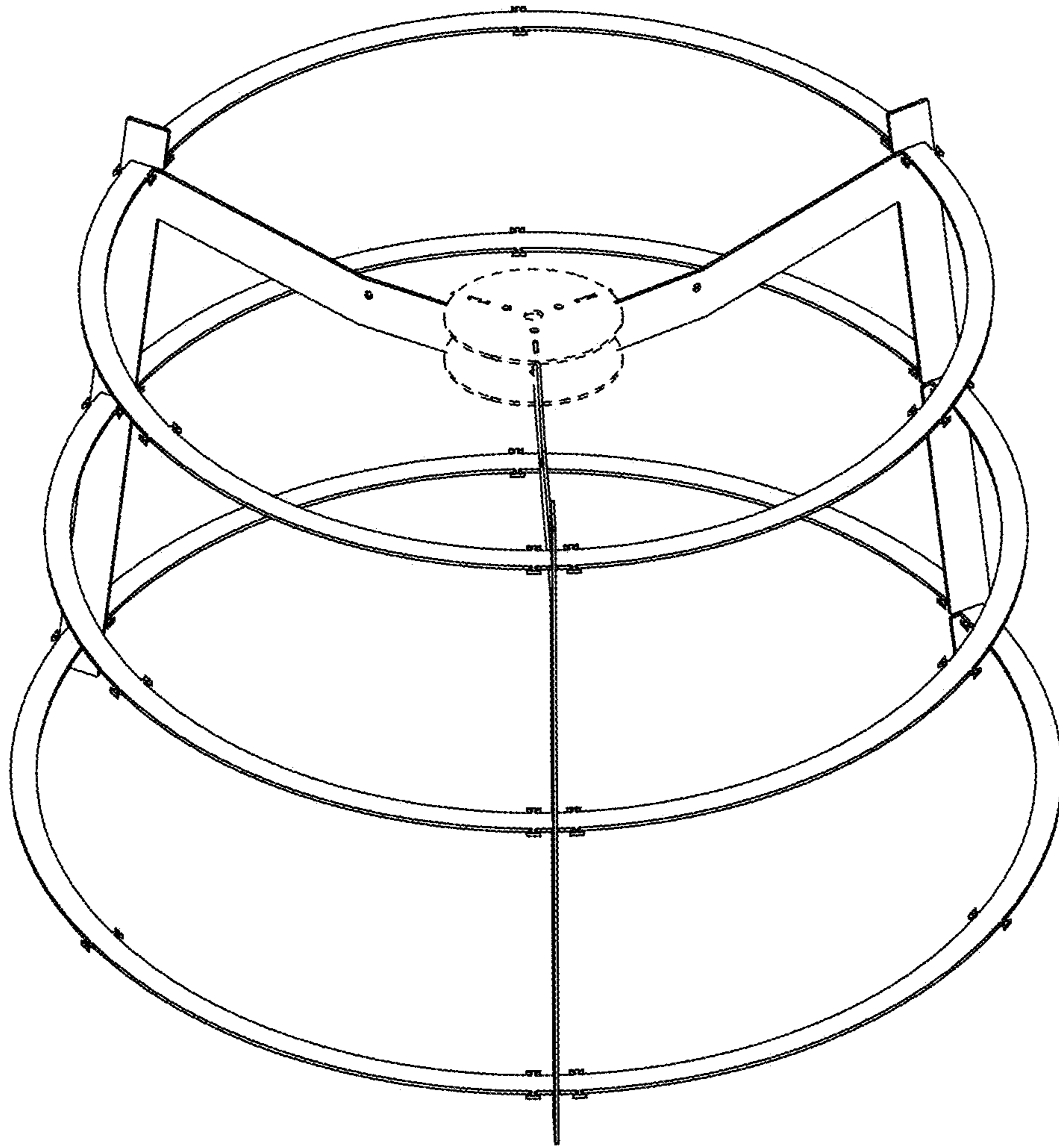


FIG. 22

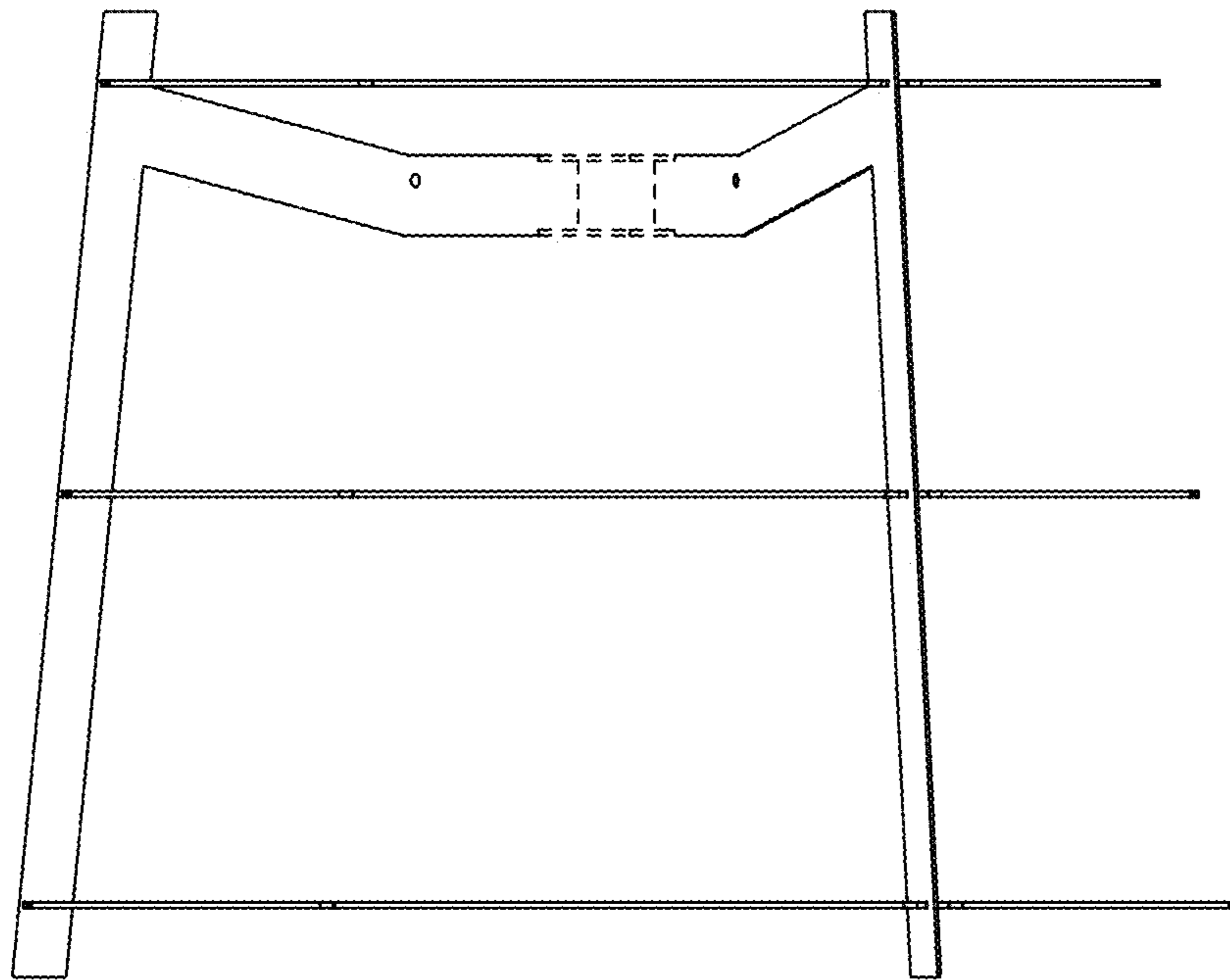


FIG. 23

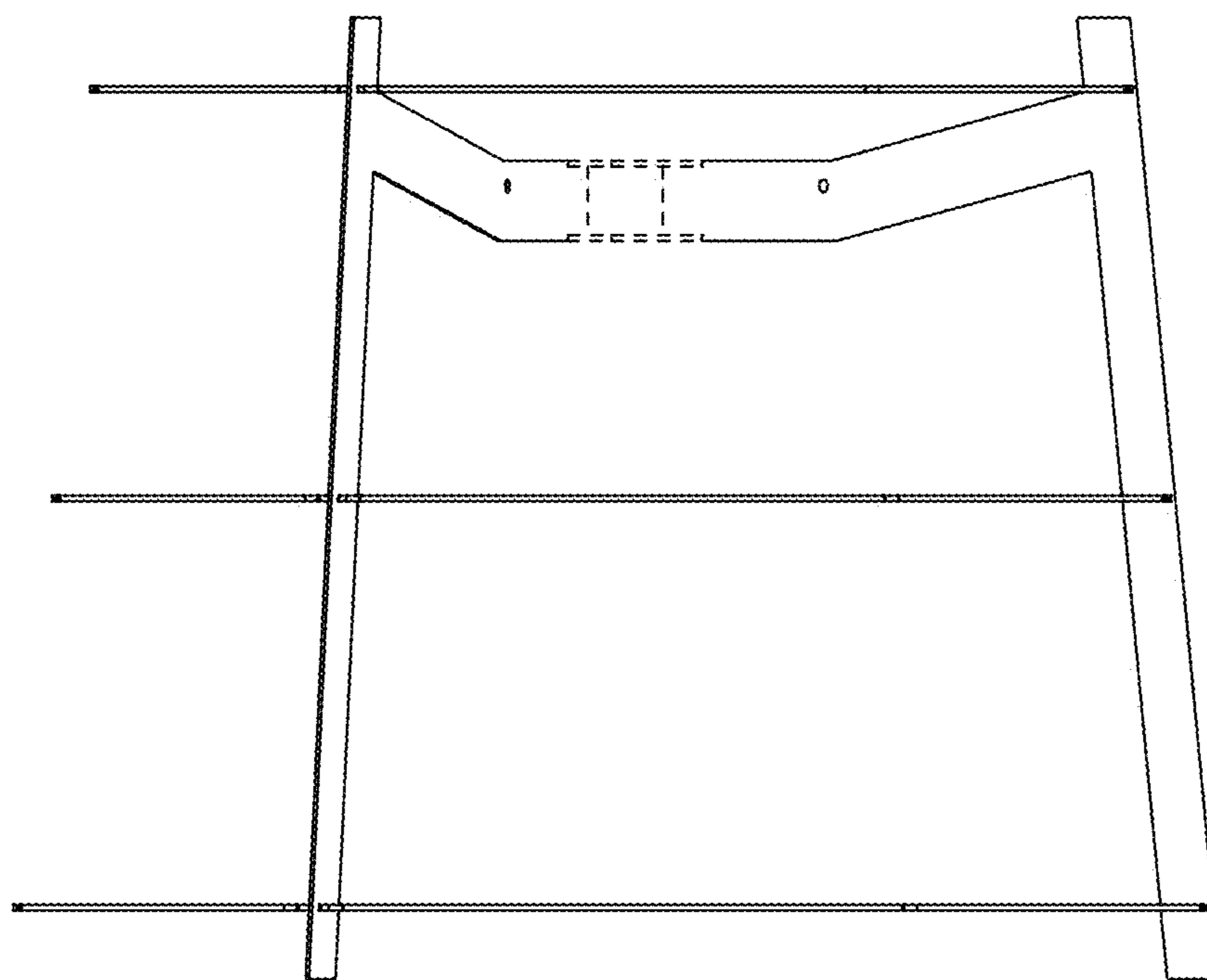


FIG. 24

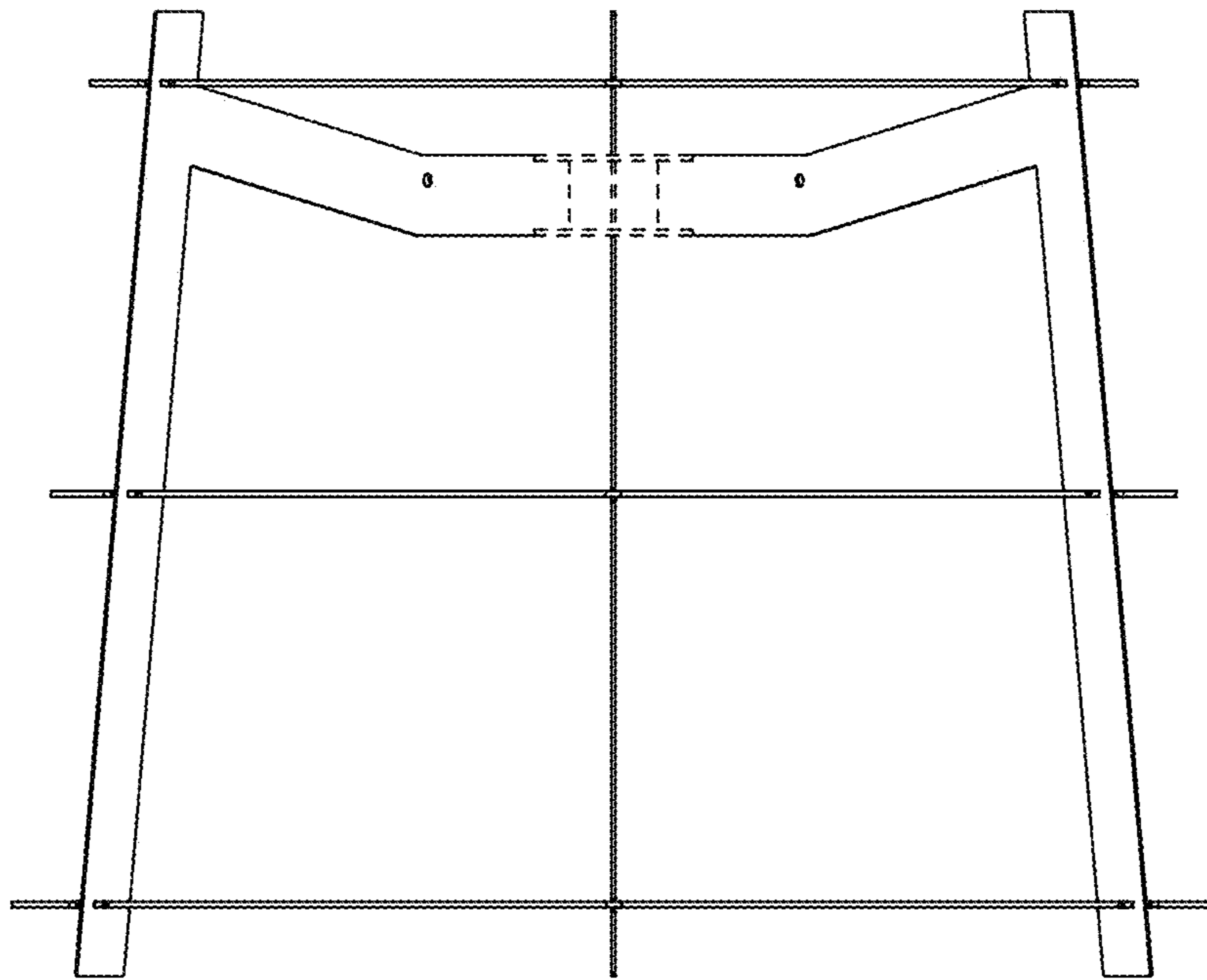


FIG. 25

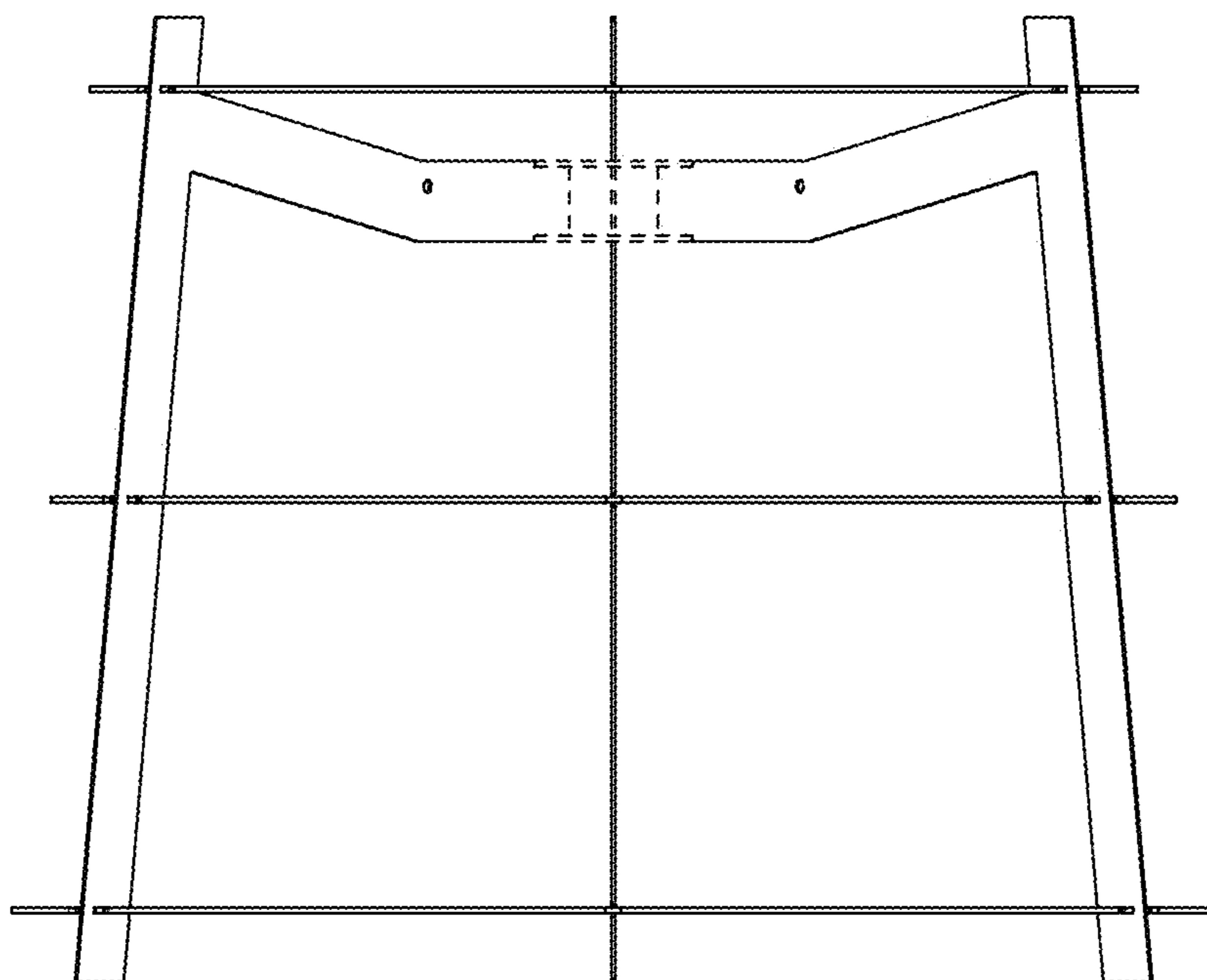


FIG. 26

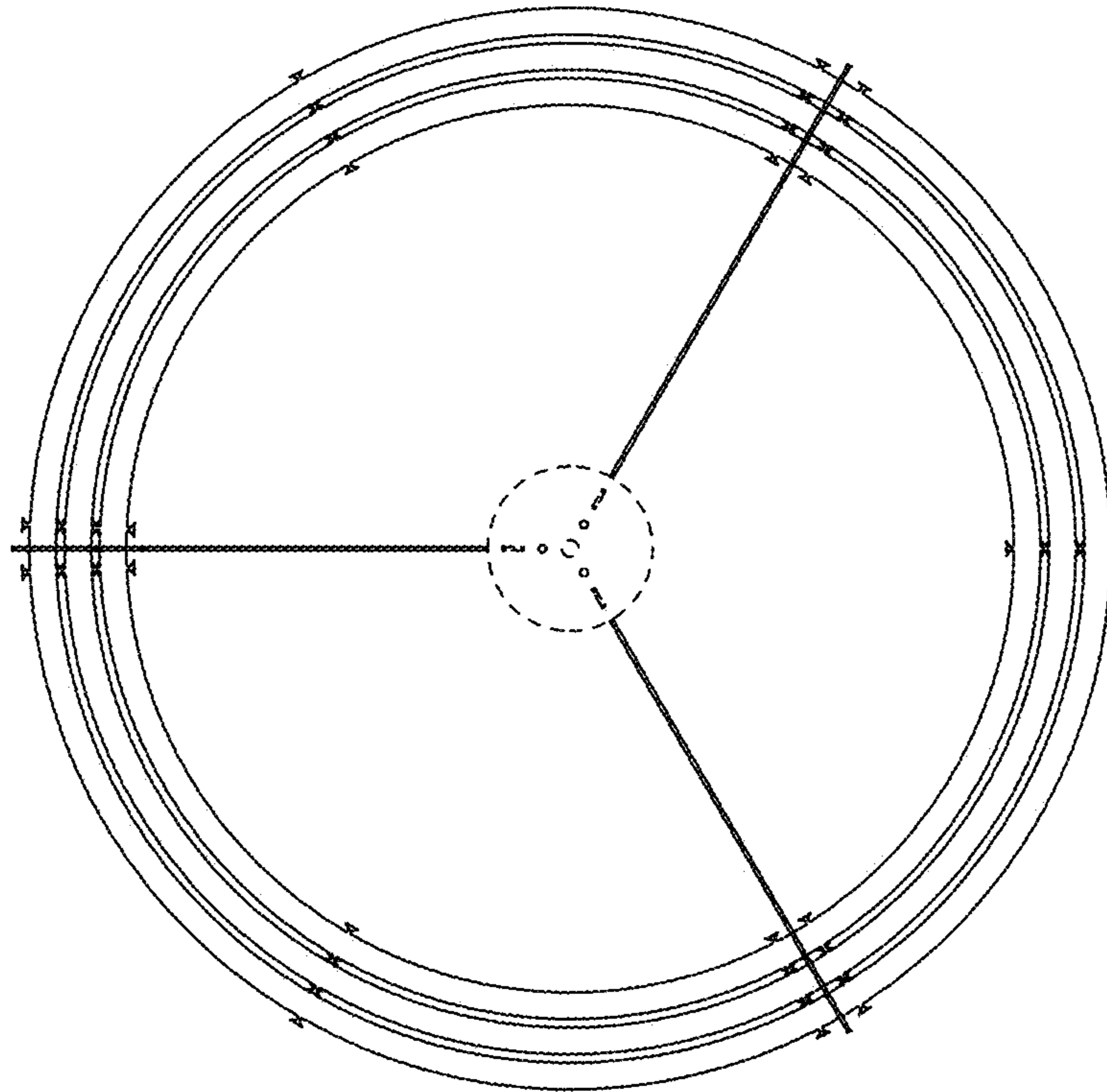


FIG. 27

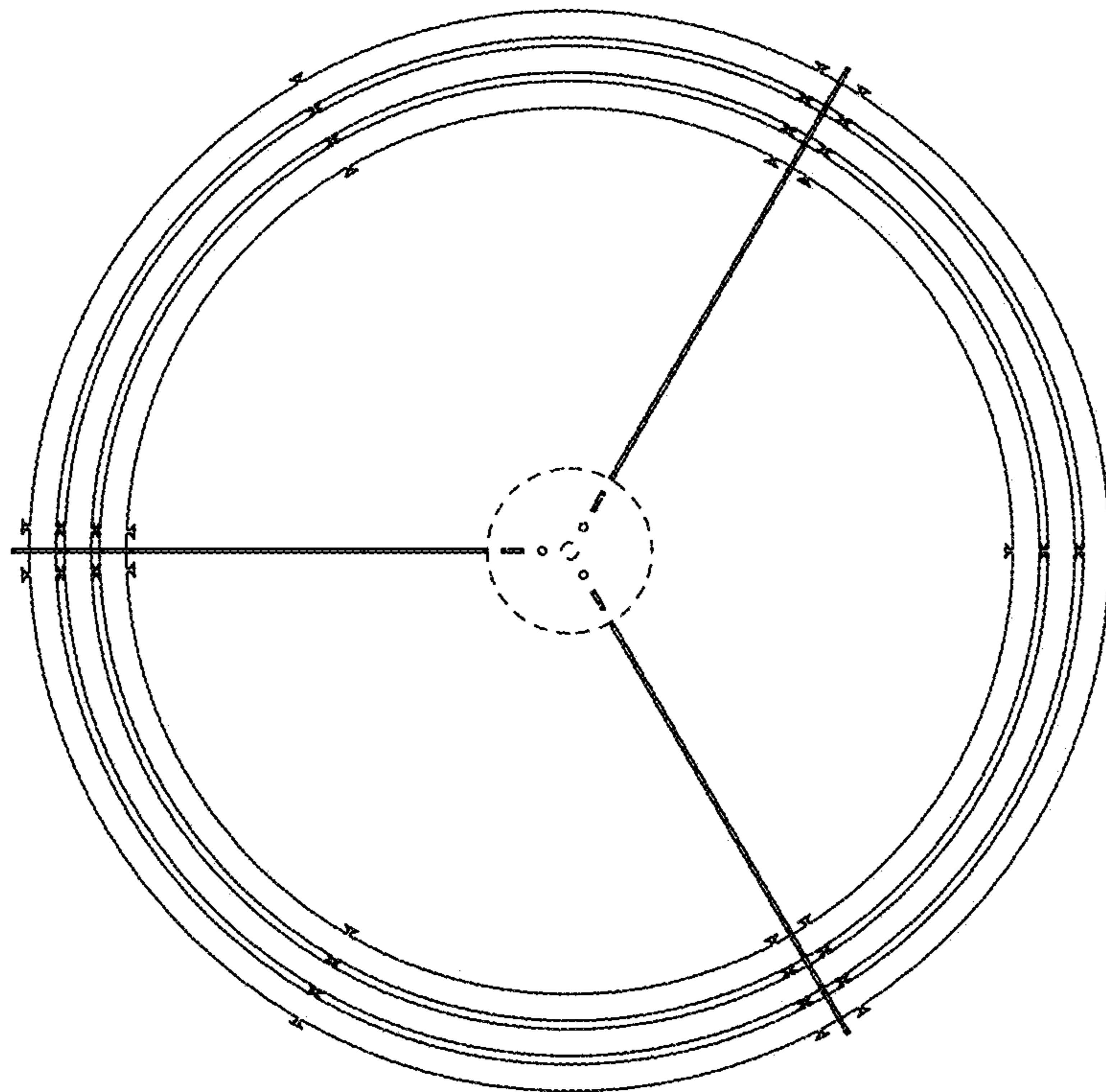


FIG. 28