



US00D956325S

(12) **United States Design Patent**
Lin

(10) **Patent No.:** **US D956,325 S**
(45) **Date of Patent:** **** Jun. 28, 2022**

(54) **PHOTOGRAPHIC LIGHTING DIFFUSER WITH TRIPOD STAND**

DESCRIPTION

(71) Applicant: **YUEQING YOUYOU E-COMMERCE CO., LTD.**, Yueqing (CN)

(72) Inventor: **Dongdong Lin**, Yueqing (CN)

(73) Assignee: **YUEQING YOUYOU E-COMMERCE CO., LTD.**, Yueqing (CN)

(**) Term: **15 Years**

(21) Appl. No.: **29/757,946**

(22) Filed: **Nov. 11, 2020**

(51) **LOC (13) Cl.** **26-05**

(52) **U.S. Cl.**
USPC **D26/106; D16/244**

(58) **Field of Classification Search**
USPC D26/49, 60, 63, 72, 79, 85, 89, 92, 93,
D26/104, 106, 111, 118, 123, 124, 138;
(Continued)

(56) **References Cited**

U.S. PATENT DOCUMENTS

2,205,860 A * 6/1940 Olds G03B 15/0442
362/17
4,633,374 A * 12/1986 Waltz G03B 15/02
362/17

(Continued)

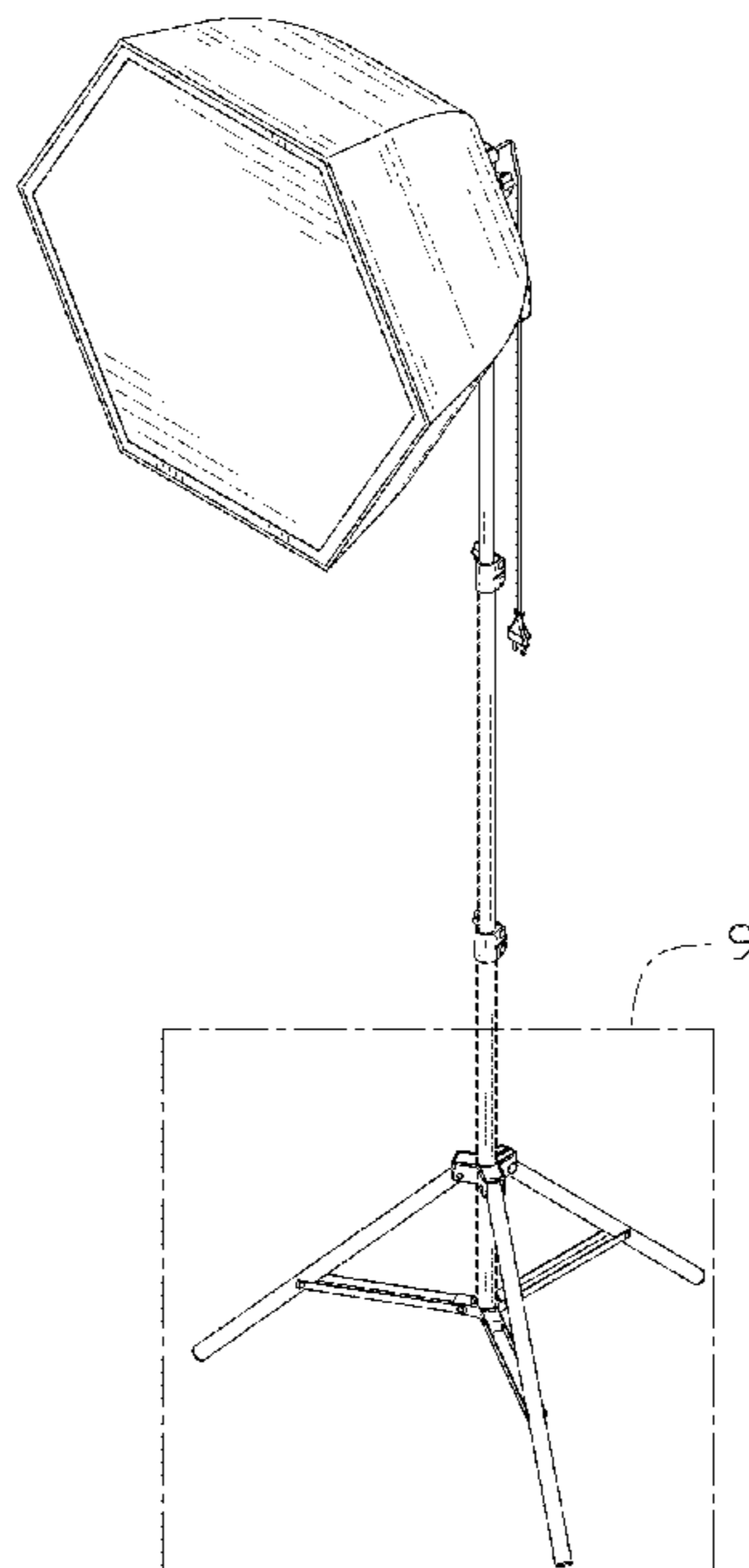
Primary Examiner — Clint A Samuel

(57) **CLAIM**

The ornamental design for a photographic lighting diffuser with tripod stand, as shown and described.

FIG. 1 is a perspective view of a first embodiment of a photographic lighting diffuser with tripod stand showing my new design;
FIG. 2 is another perspective view thereof;
FIG. 3 is a front elevational view thereof;
FIG. 4 is a rear elevational view thereof;
FIG. 5 is a left side elevational view thereof;
FIG. 6 is a right side elevational view thereof;
FIG. 7 is a top plan view thereof;
FIG. 8 is a bottom plan view thereof;
FIG. 9 is an enlarged view of portion 9 shown in FIG. 1;
FIG. 10 is an enlarged view of portion 10 shown in FIG. 2;
FIG. 11 is an enlarged view of portion 11 shown in FIG. 2;
FIG. 12 is an enlarged view of portion 12 shown in FIG. 2;
FIG. 13 is an enlarged view of portion 13 shown in FIG. 8;
FIG. 14 is a perspective view of a second embodiment of the photographic lighting diffuser with tripod stand showing my new design;
FIG. 15 is another perspective view thereof;
FIG. 16 is a front elevational view thereof;
FIG. 17 is a rear elevational view thereof;
FIG. 18 is a left side elevational view thereof;
FIG. 19 is a right side elevational view thereof;
FIG. 20 is a top plan view thereof;
FIG. 21 is a bottom plan view thereof;
FIG. 22 is an enlarged view of portion 22 shown in FIG. 14;
FIG. 23 is an enlarged view of portion 23 shown in FIG. 14;
FIG. 24 is an enlarged view of portion 24 shown in FIG. 15;
FIG. 25 is an enlarged view of portion 25 shown in FIG. 15;
and,
FIG. 26 is an enlarged view of portion 26 shown in FIG. 21.
The broken lines in the drawings depict portions of the photographic lighting diffuser with tripod stand that form no part of the claimed design.

1 Claim, 26 Drawing Sheets



(58) **Field of Classification Search**

USPC D16/136, 237, 239, 244, 245, 250;
D28/9, 15, 16, 17, 99; D14/253; D8/71,
D8/72
CPC F21V 21/00; F21V 21/14; F21V 21/30;
F21V 21/096; F21V 1/00; F21V 1/12;
F21V 17/06; F21V 15/01; F21V 14/00;
F21V 14/02; G03B 2215/0575; G03B
2215/0539; G03B 2215/0592; G03B
2215/0589; G03B 15/03; G03B 15/05;
A45F 2200/0508-0533; F21K 5/00; F21K
5/02; F21S 8/003; F21S 8/043

See application file for complete search history.

(56) **References Cited**

U.S. PATENT DOCUMENTS

4,757,425 A * 7/1988 Waltz G03B 15/06
362/18
9,752,755 B2 * 9/2017 Mossdorf F24S 23/715
D881,980 S * 4/2020 Zhu D16/237
D888,811 S * 6/2020 Chen D16/237
2005/0088836 A1 * 4/2005 Lowe G03B 15/06
362/18
2006/0203491 A1 * 9/2006 Waltz G03B 15/02
362/269
2010/0124068 A1 * 5/2010 Karle F21V 17/06
362/433
2019/0182418 A1 * 6/2019 Lai H04N 5/222

* cited by examiner

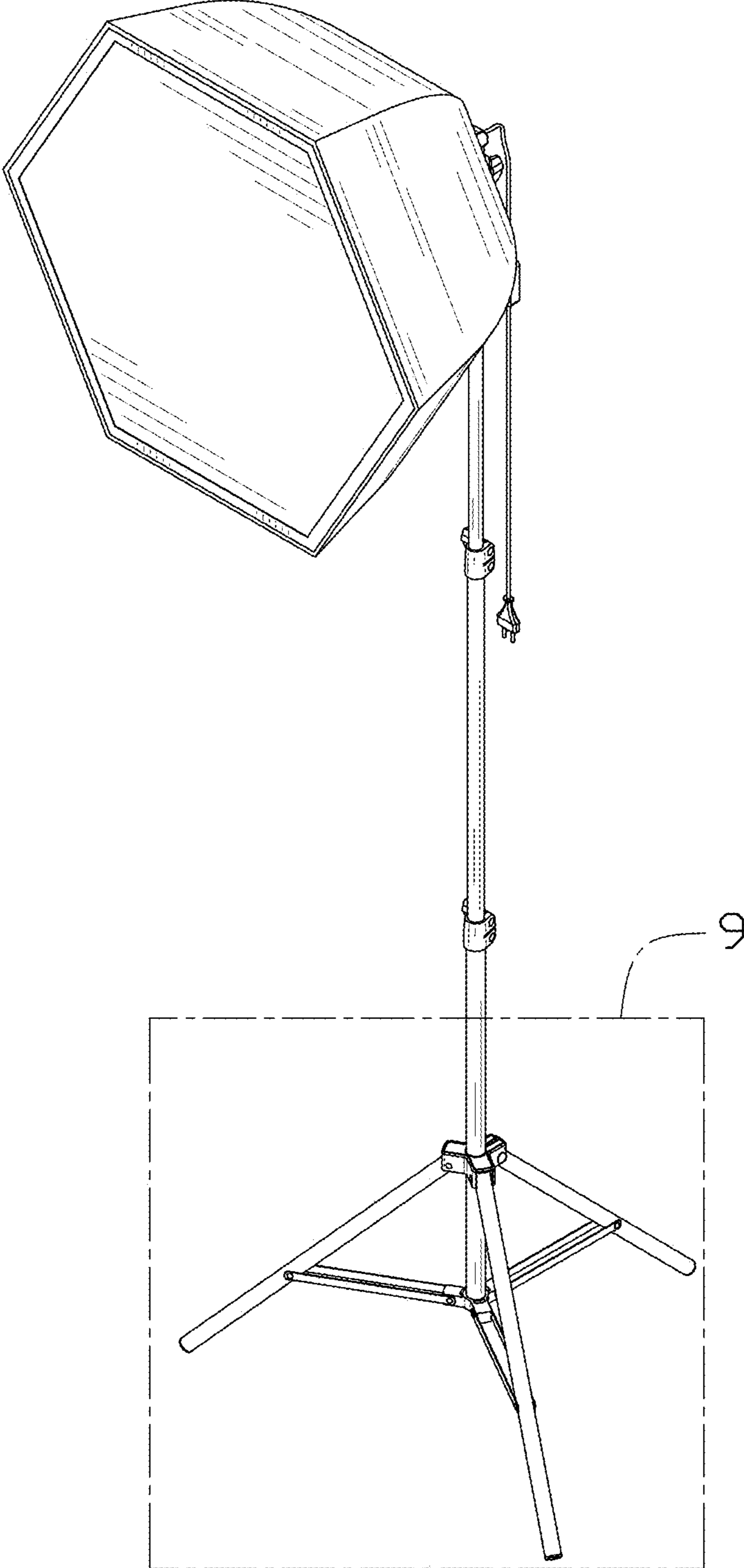


FIG. 1

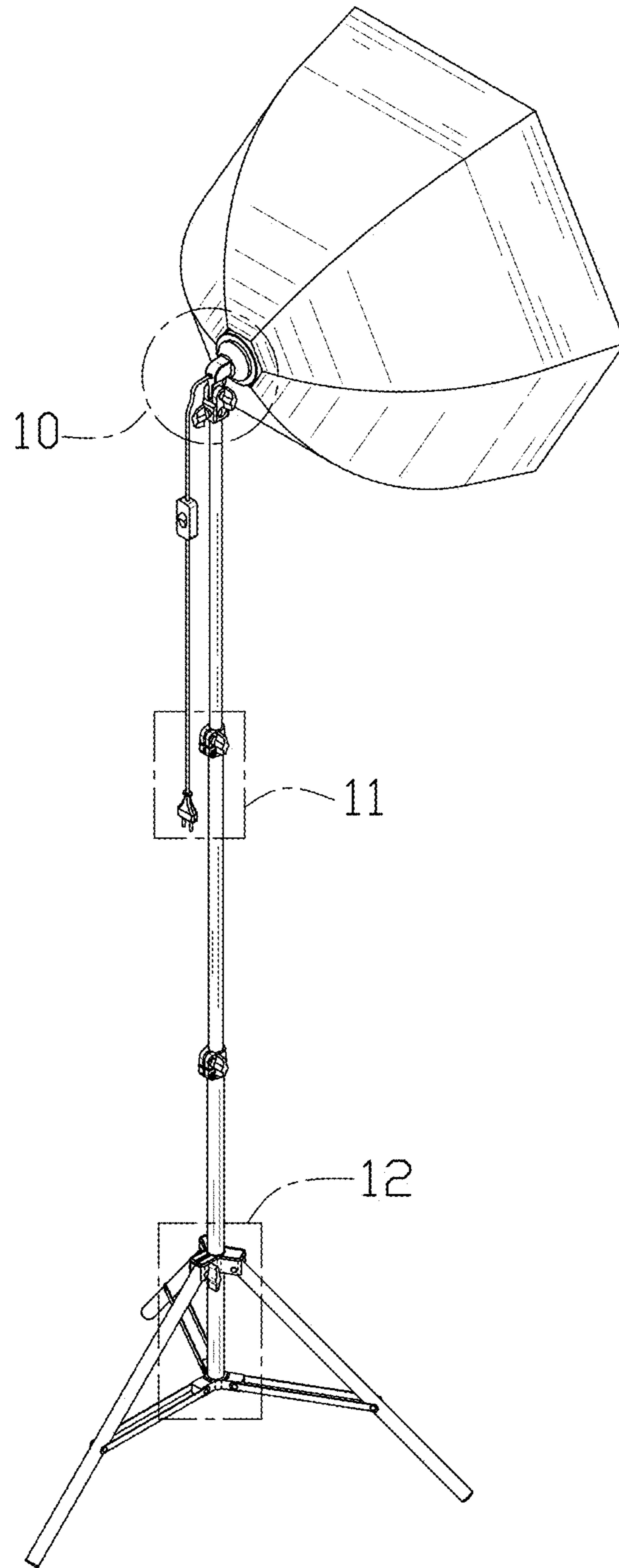


FIG. 2

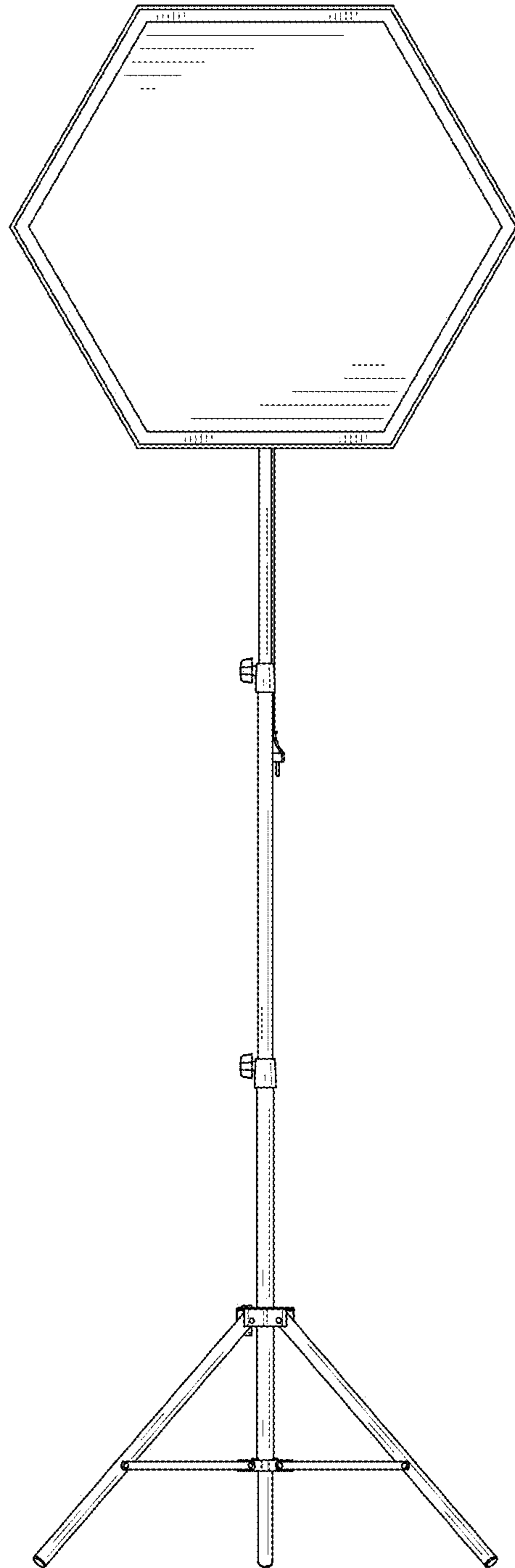


FIG. 3

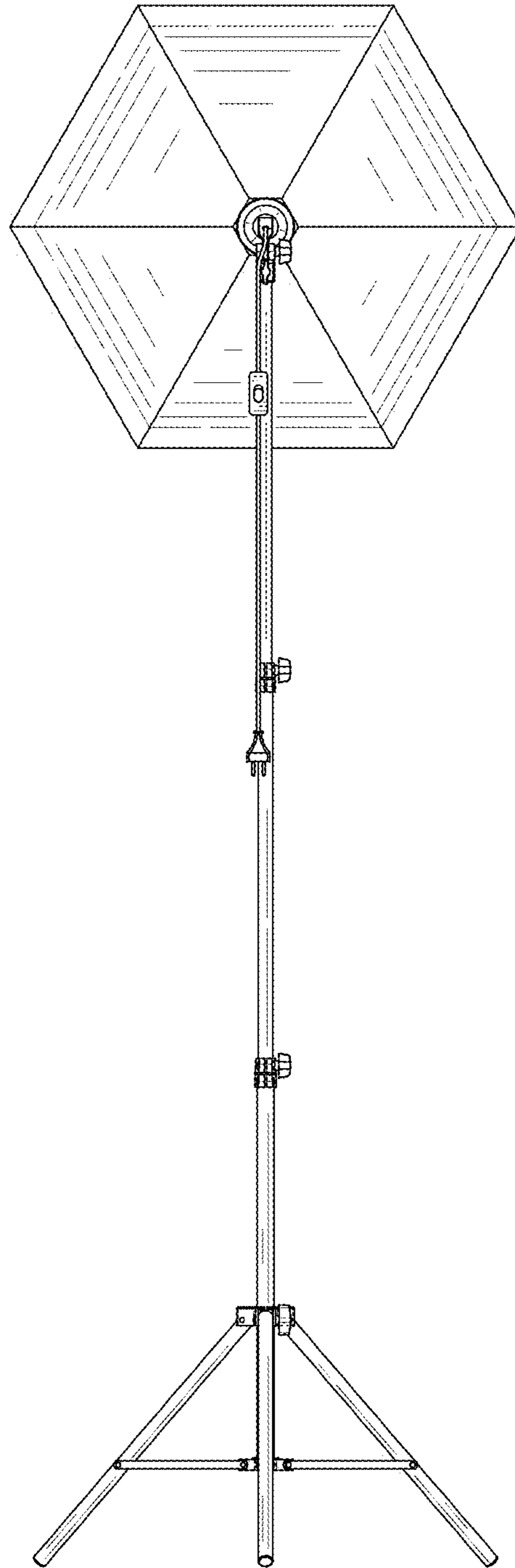


FIG. 4

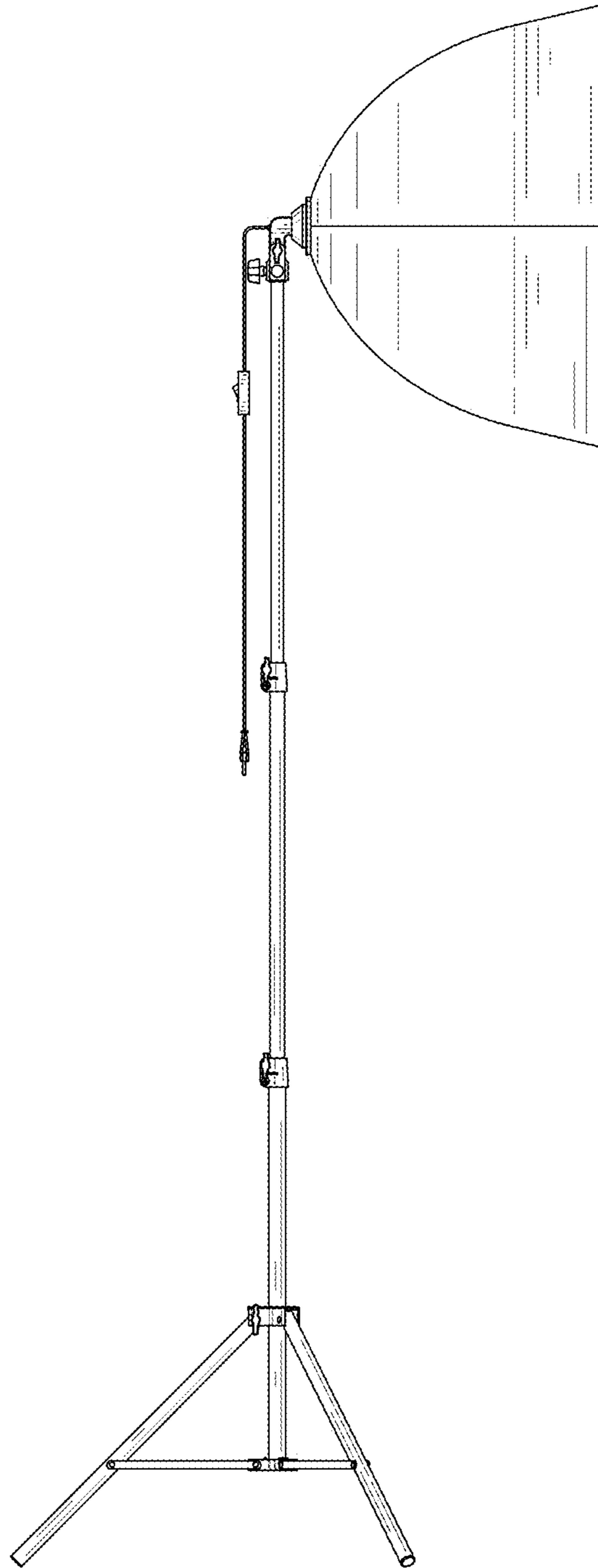


FIG. 5

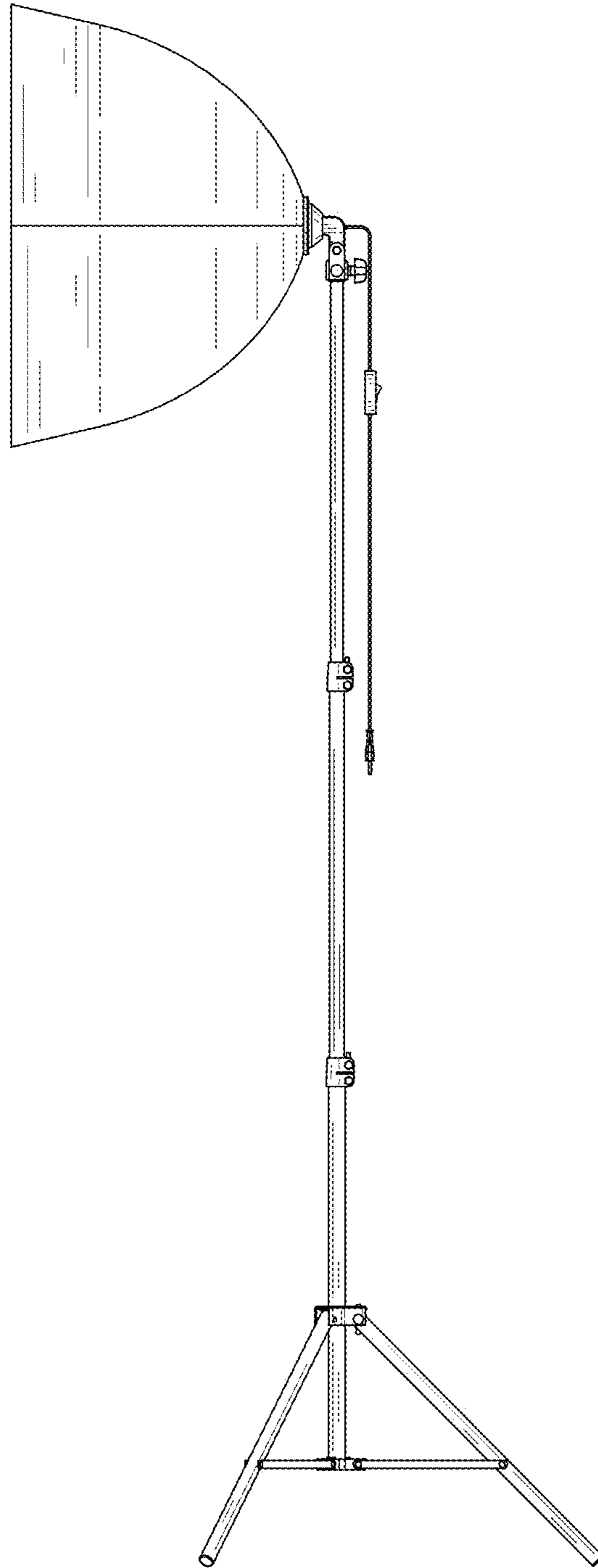


FIG. 6

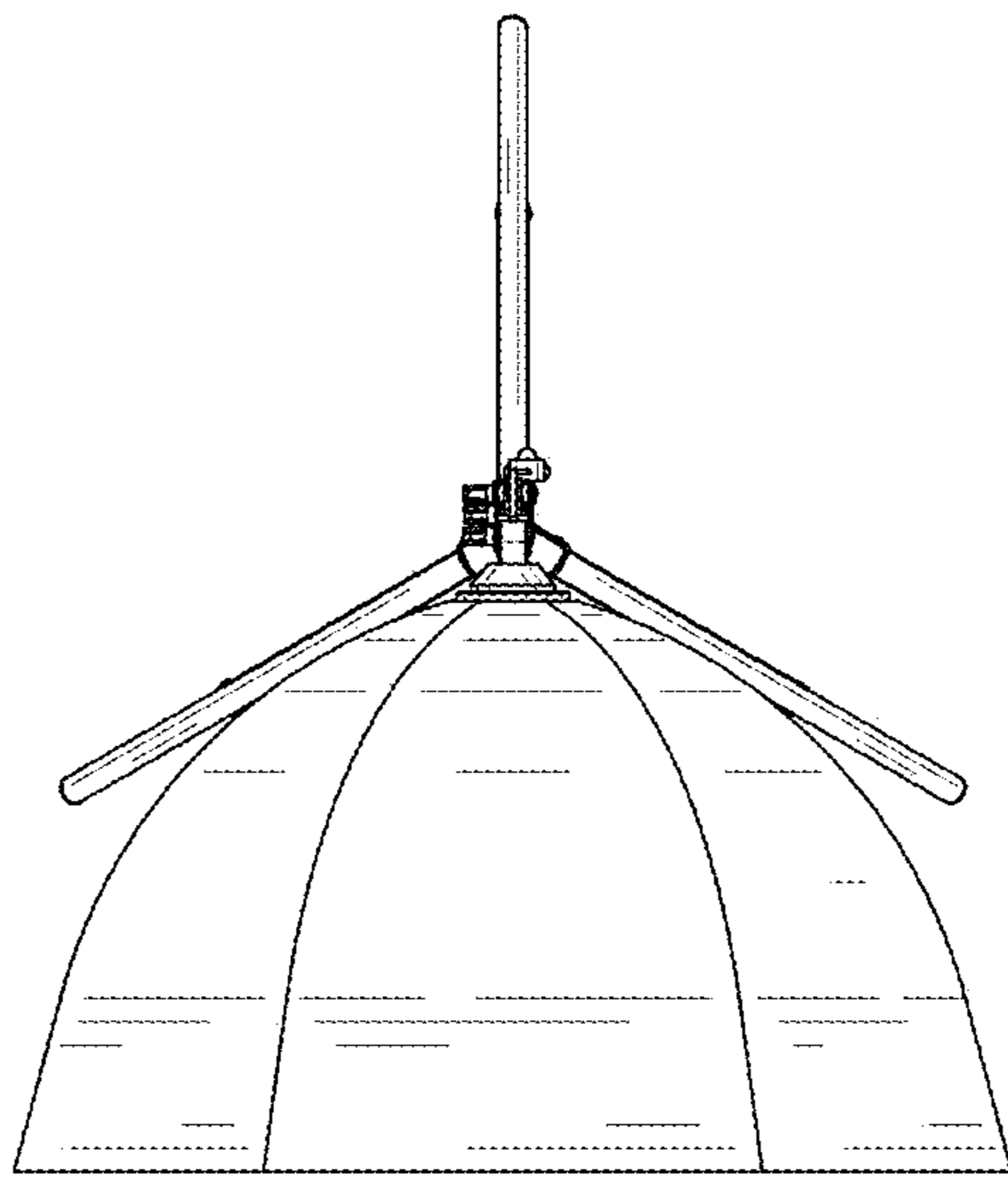


FIG. 7

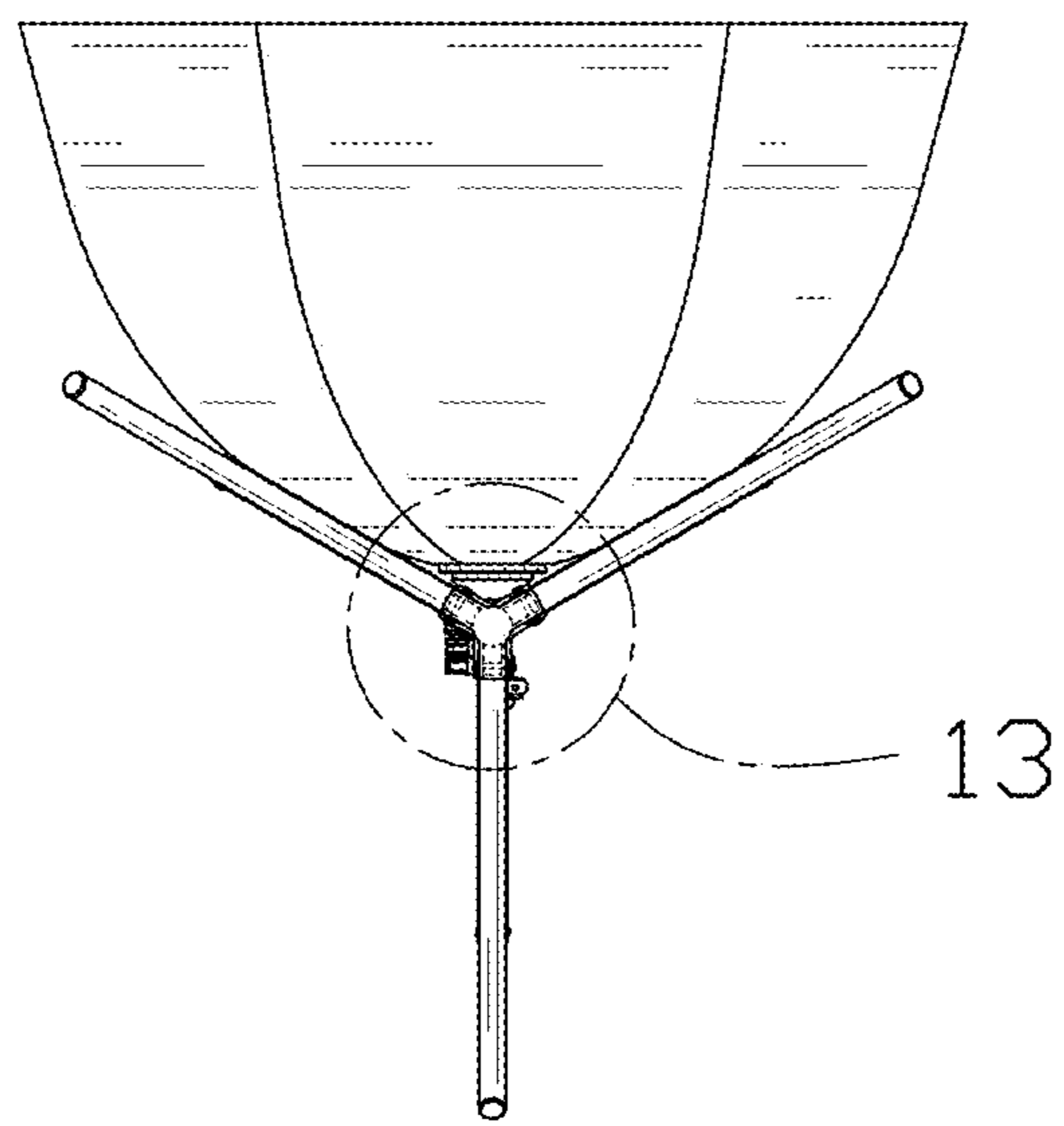


FIG. 8

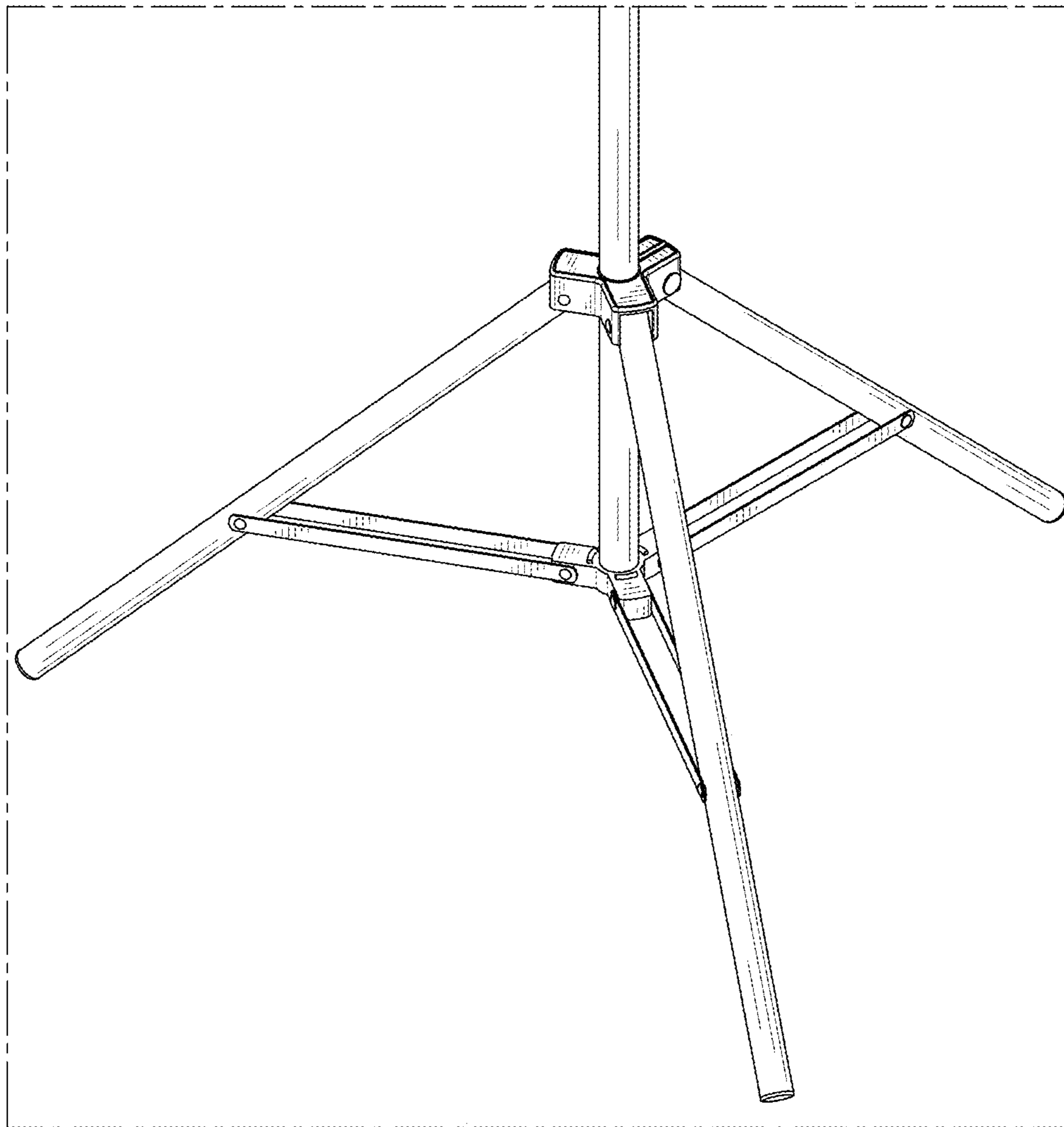


FIG. 9

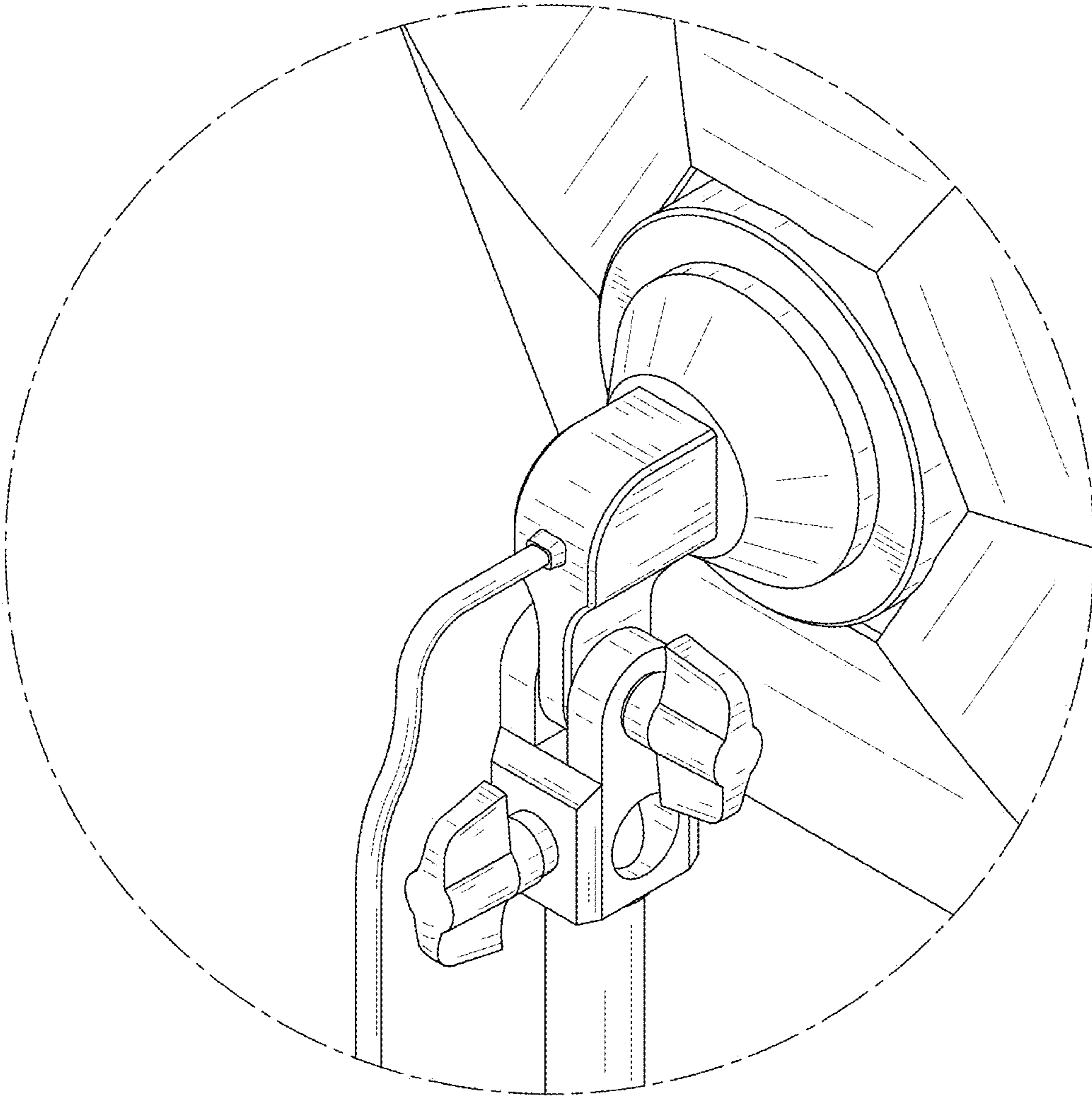


FIG. 10

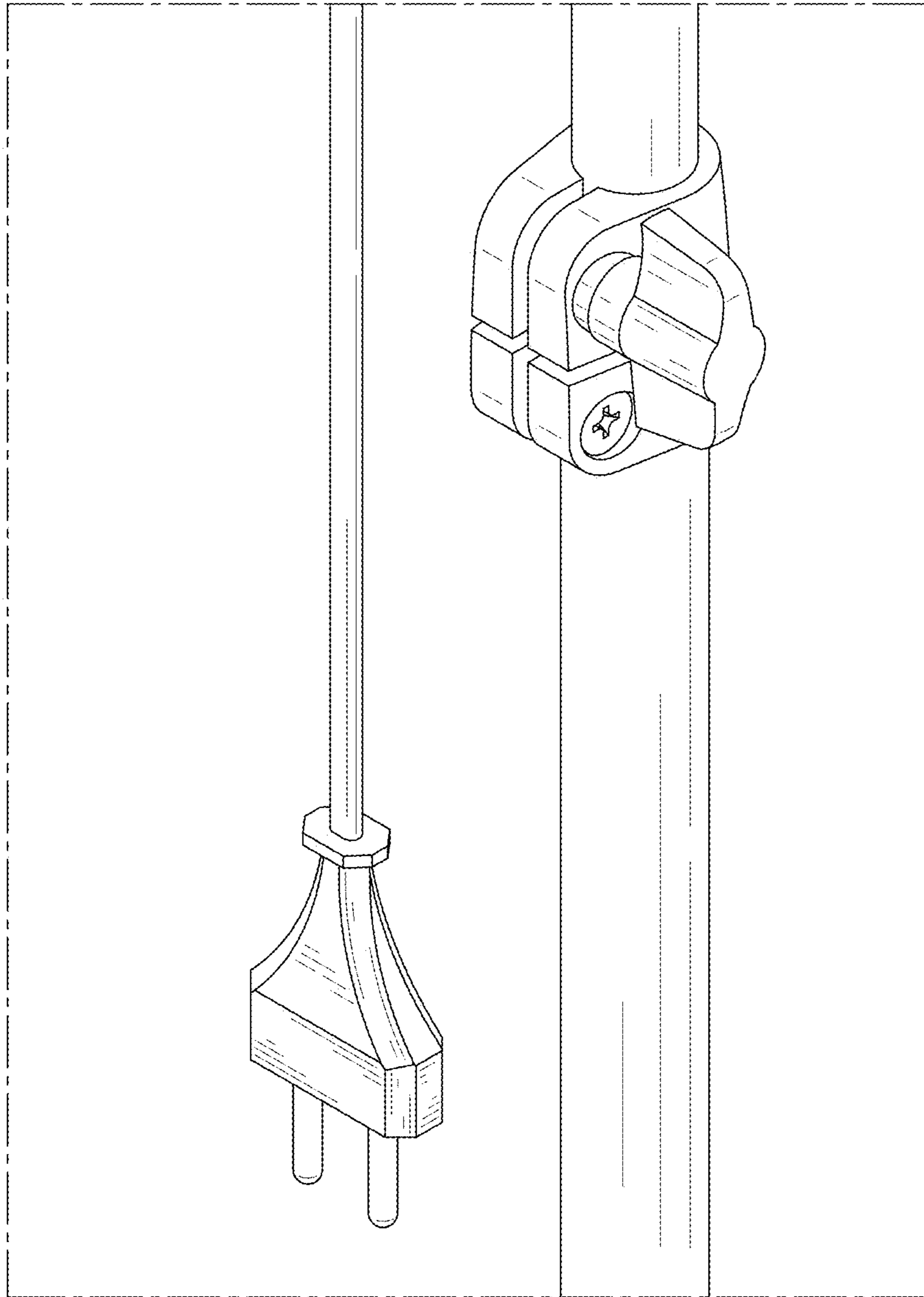


FIG. 11

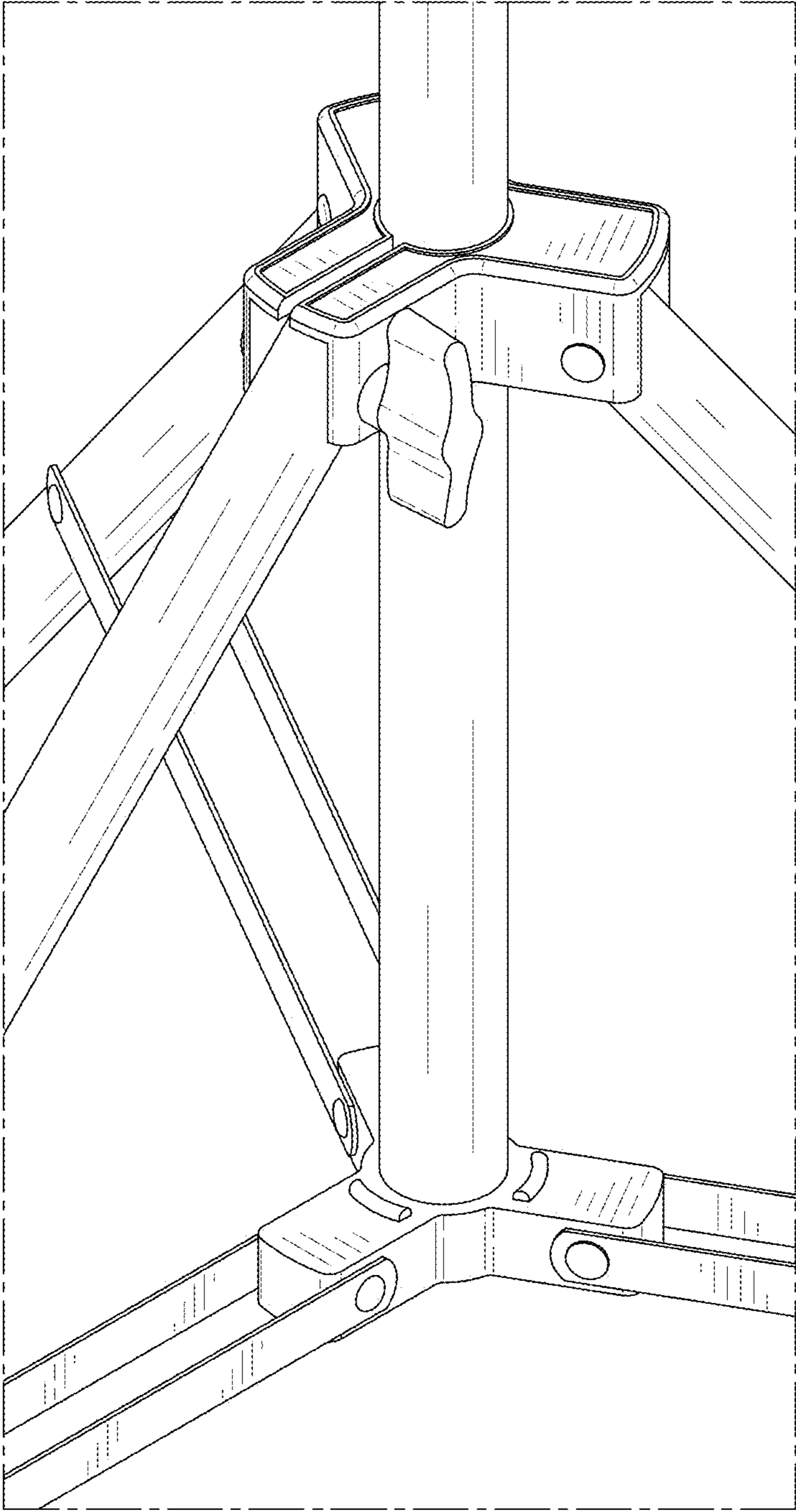


FIG. 12

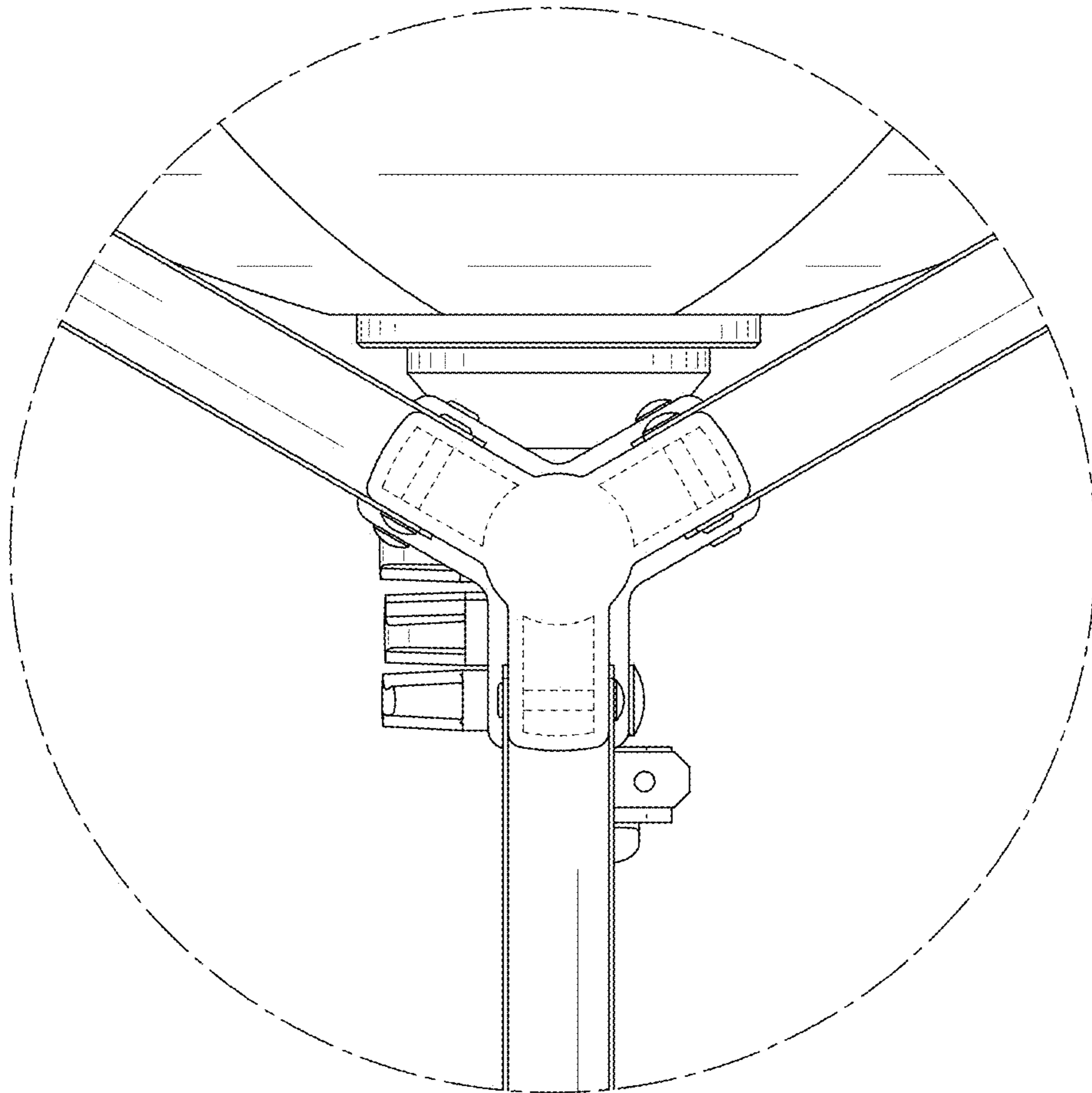


FIG. 13

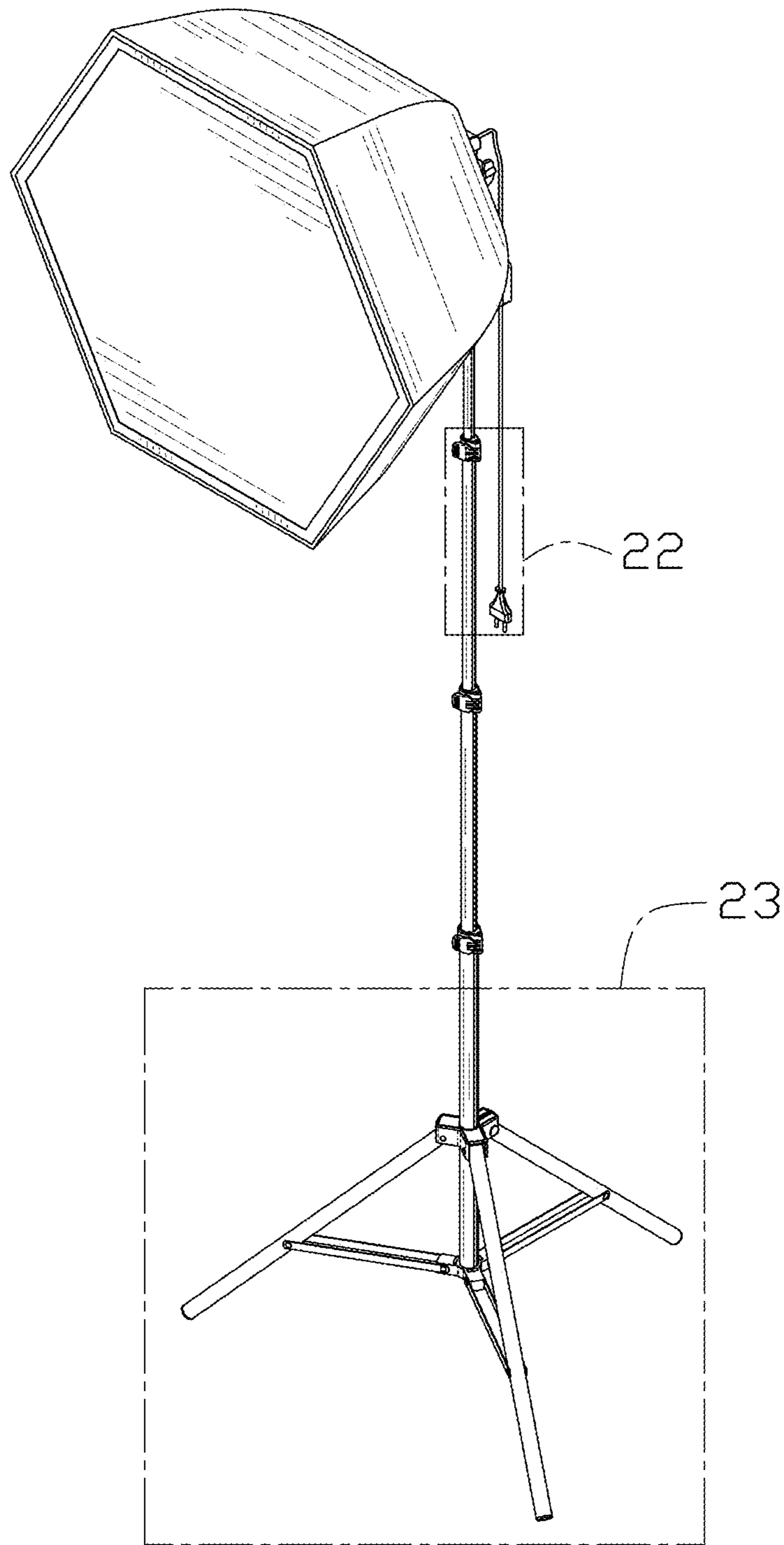


FIG. 14

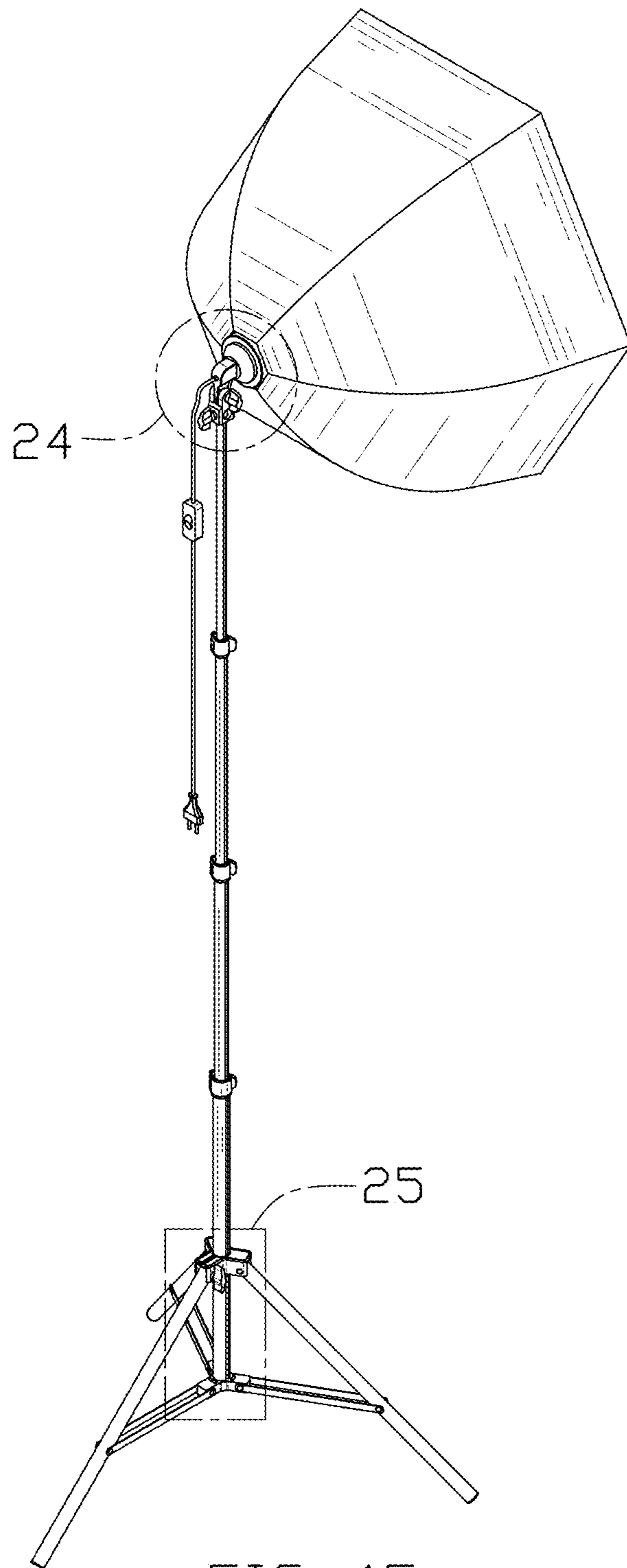


FIG. 15

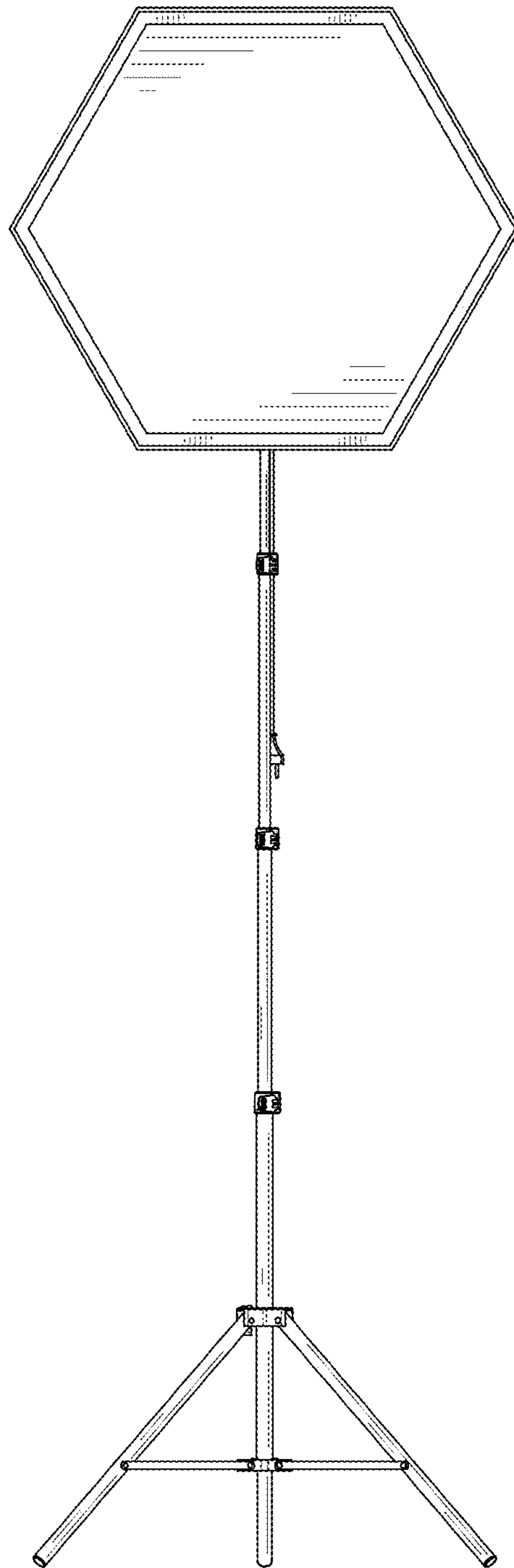


FIG. 16

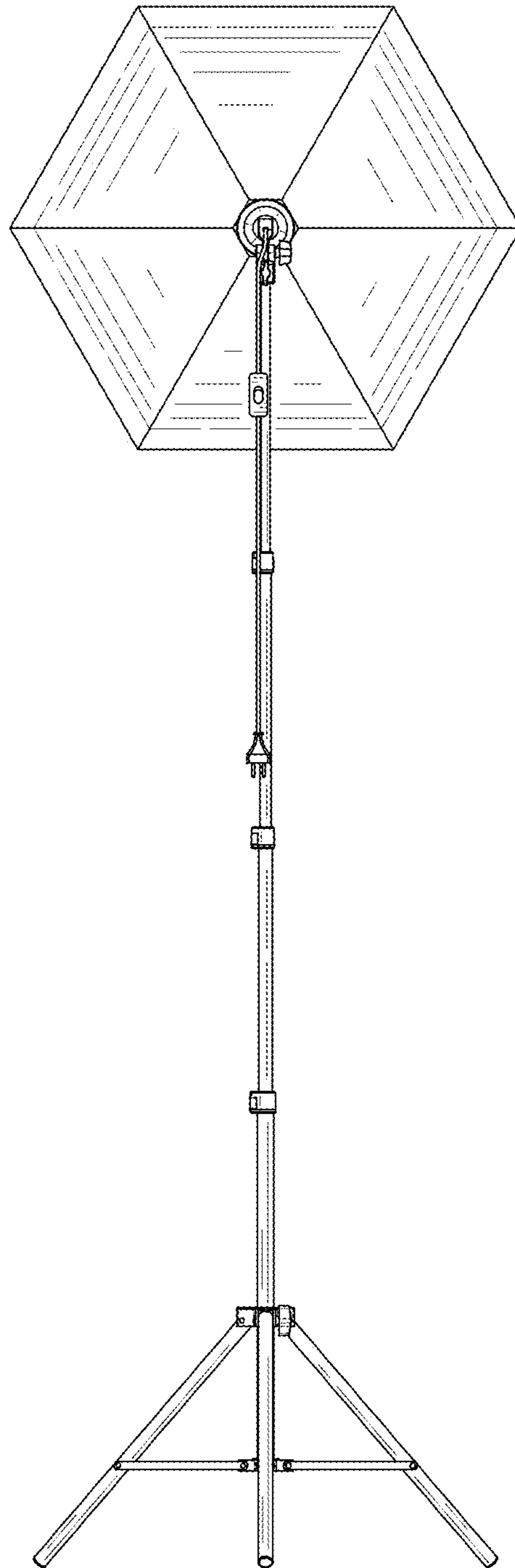


FIG. 17

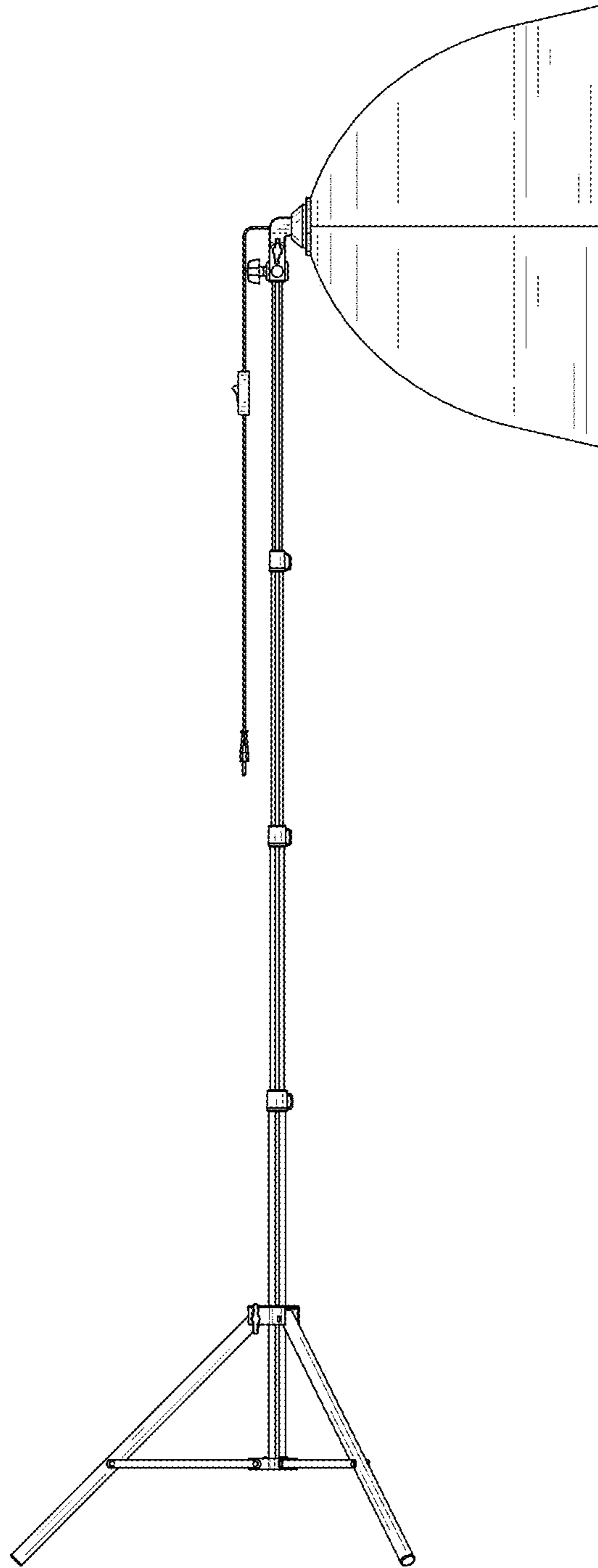


FIG. 18



FIG. 19

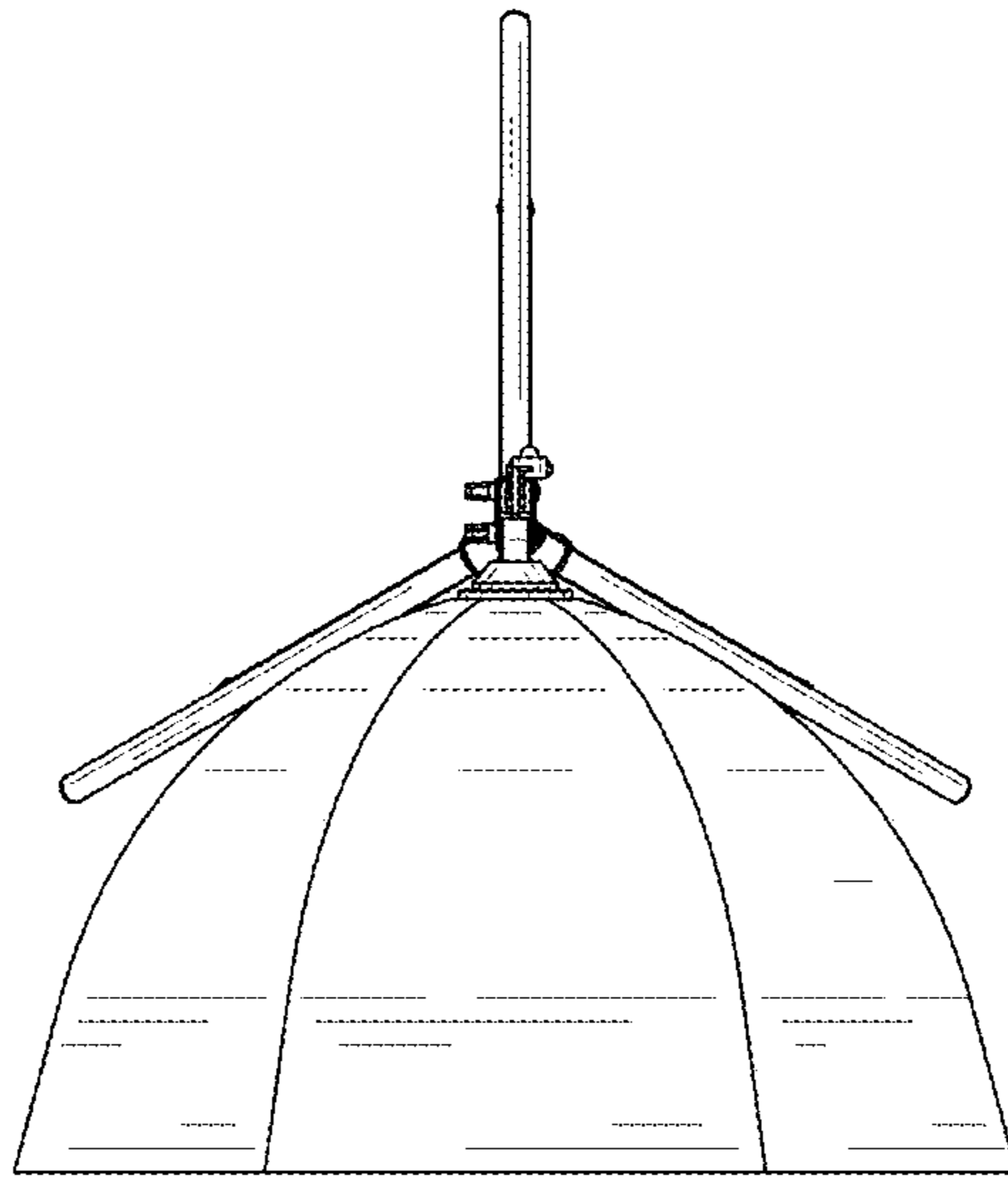


FIG. 20

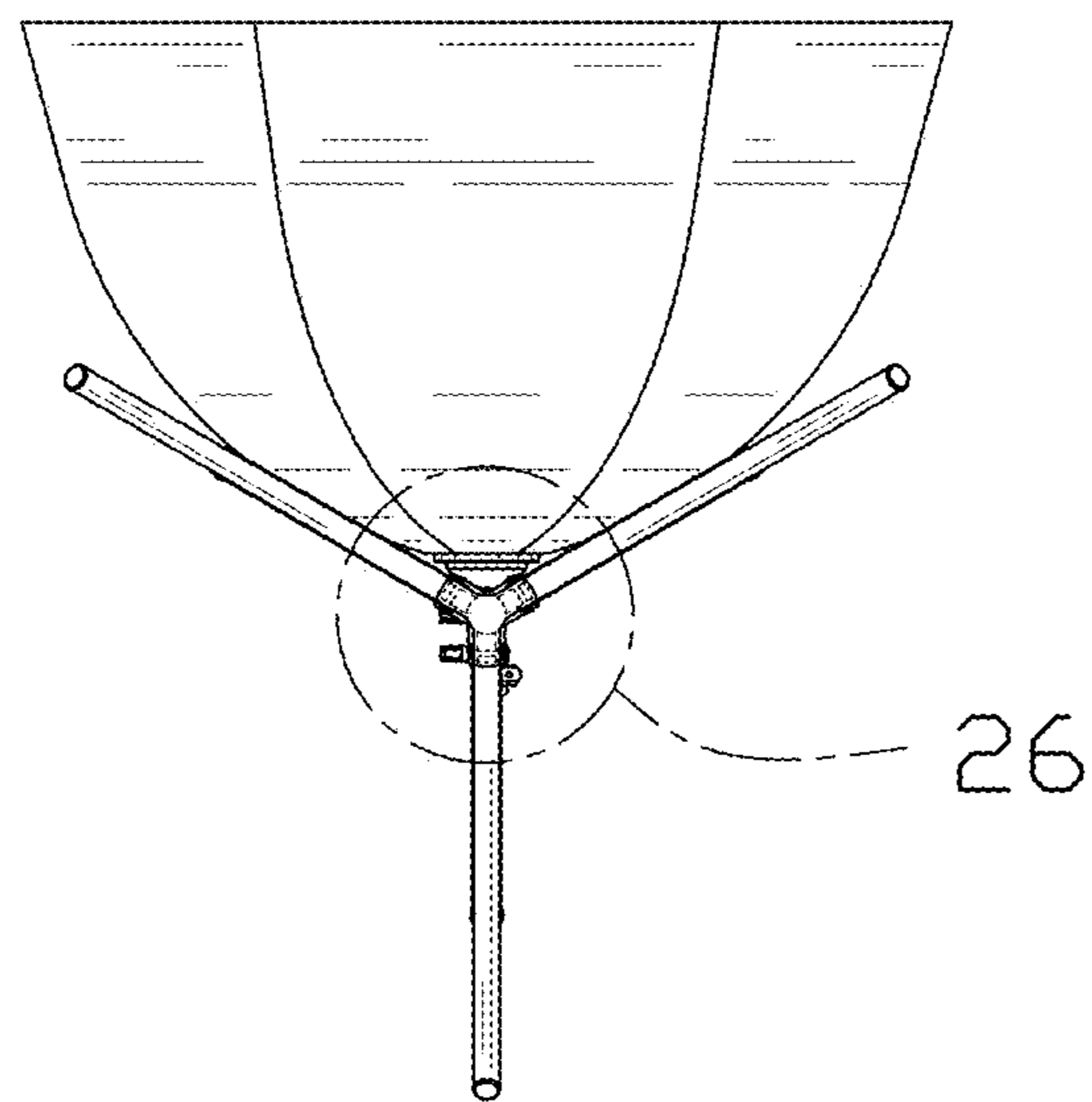


FIG. 21

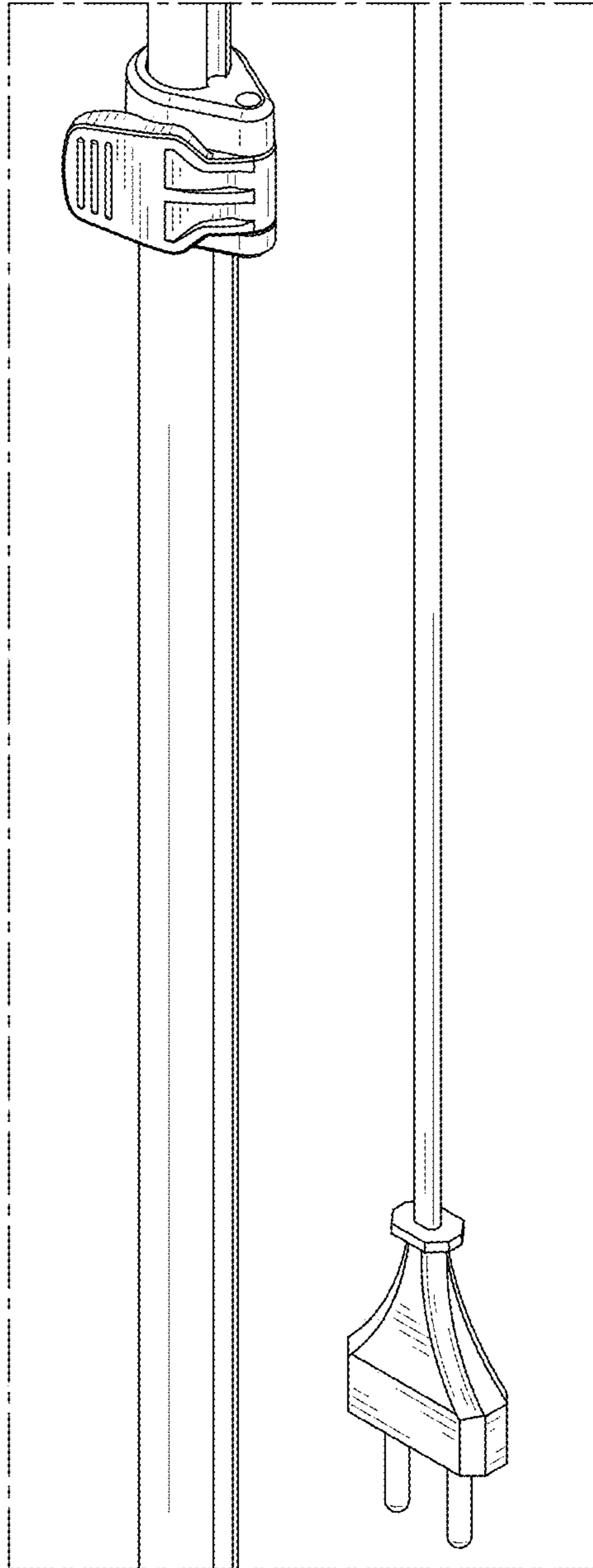


FIG. 22

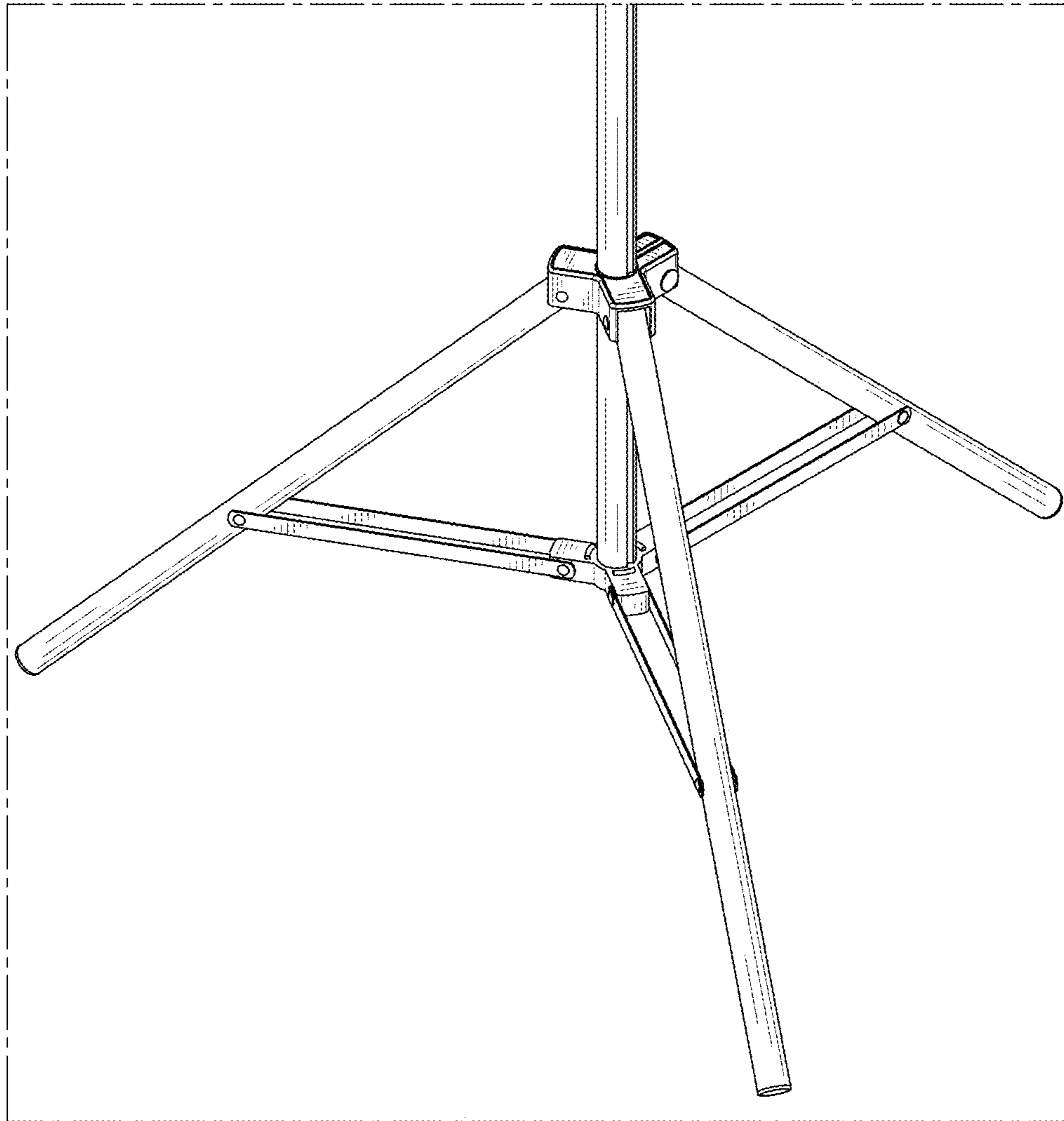


FIG. 23

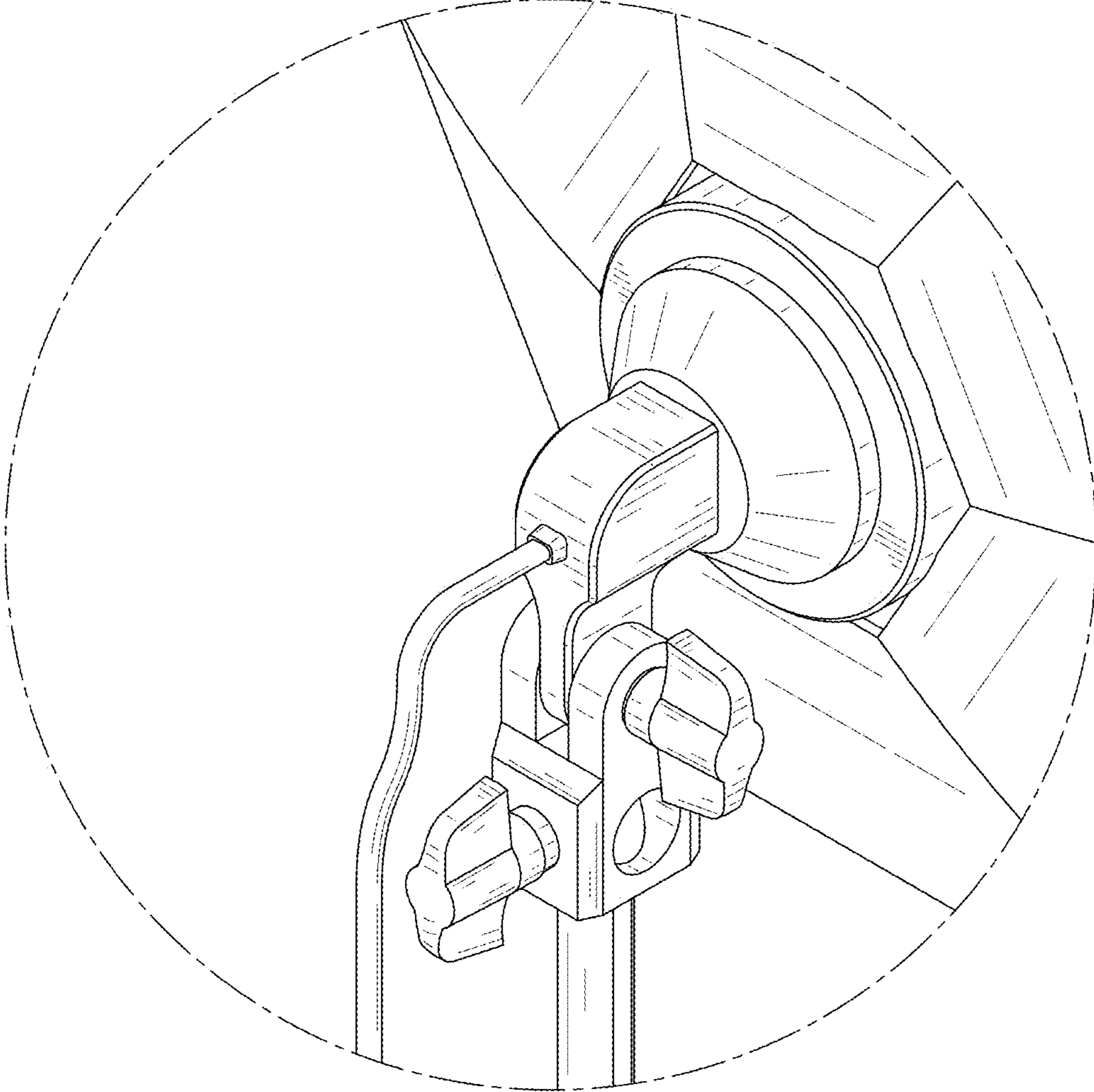


FIG. 24

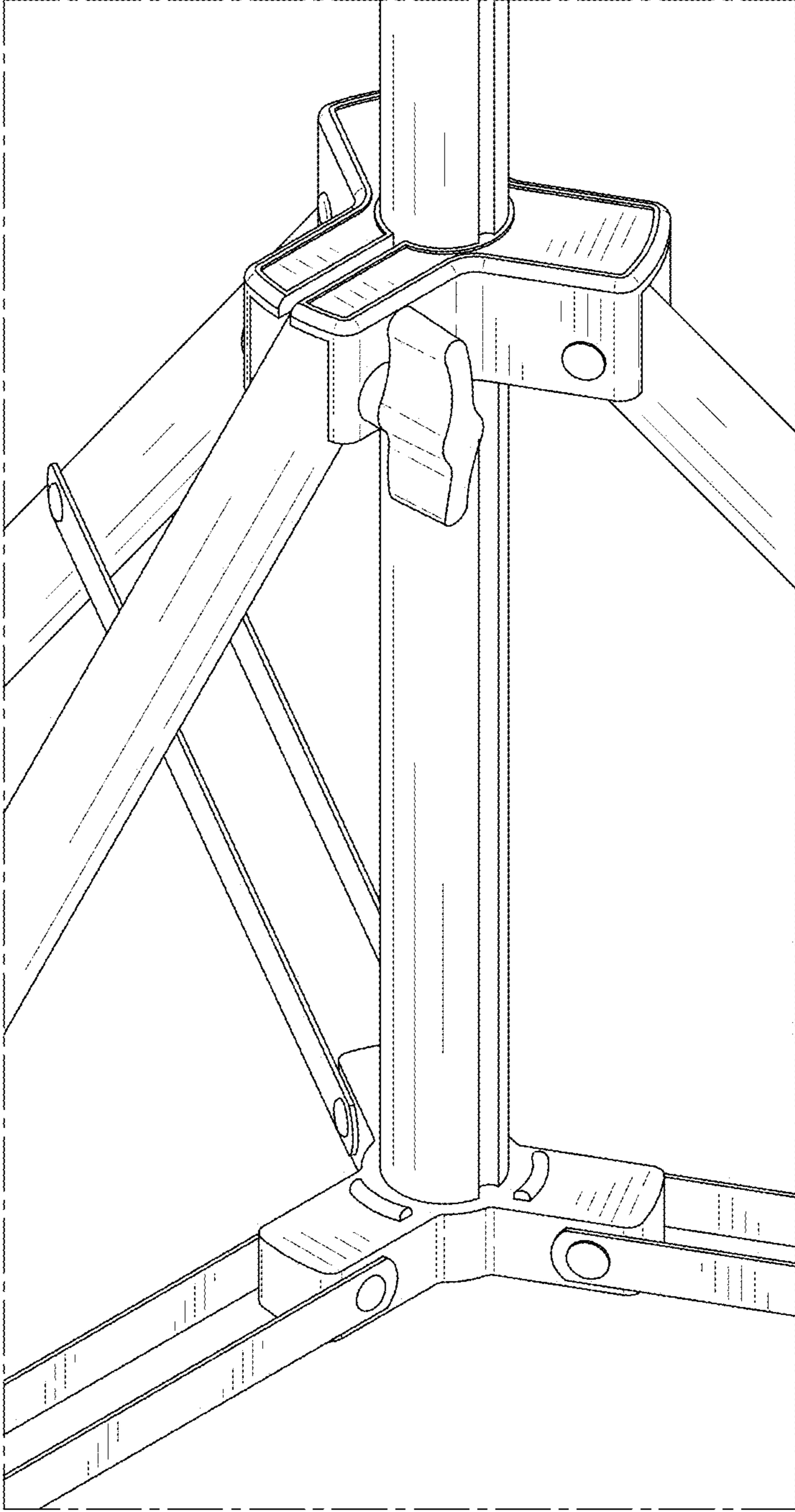


FIG. 25

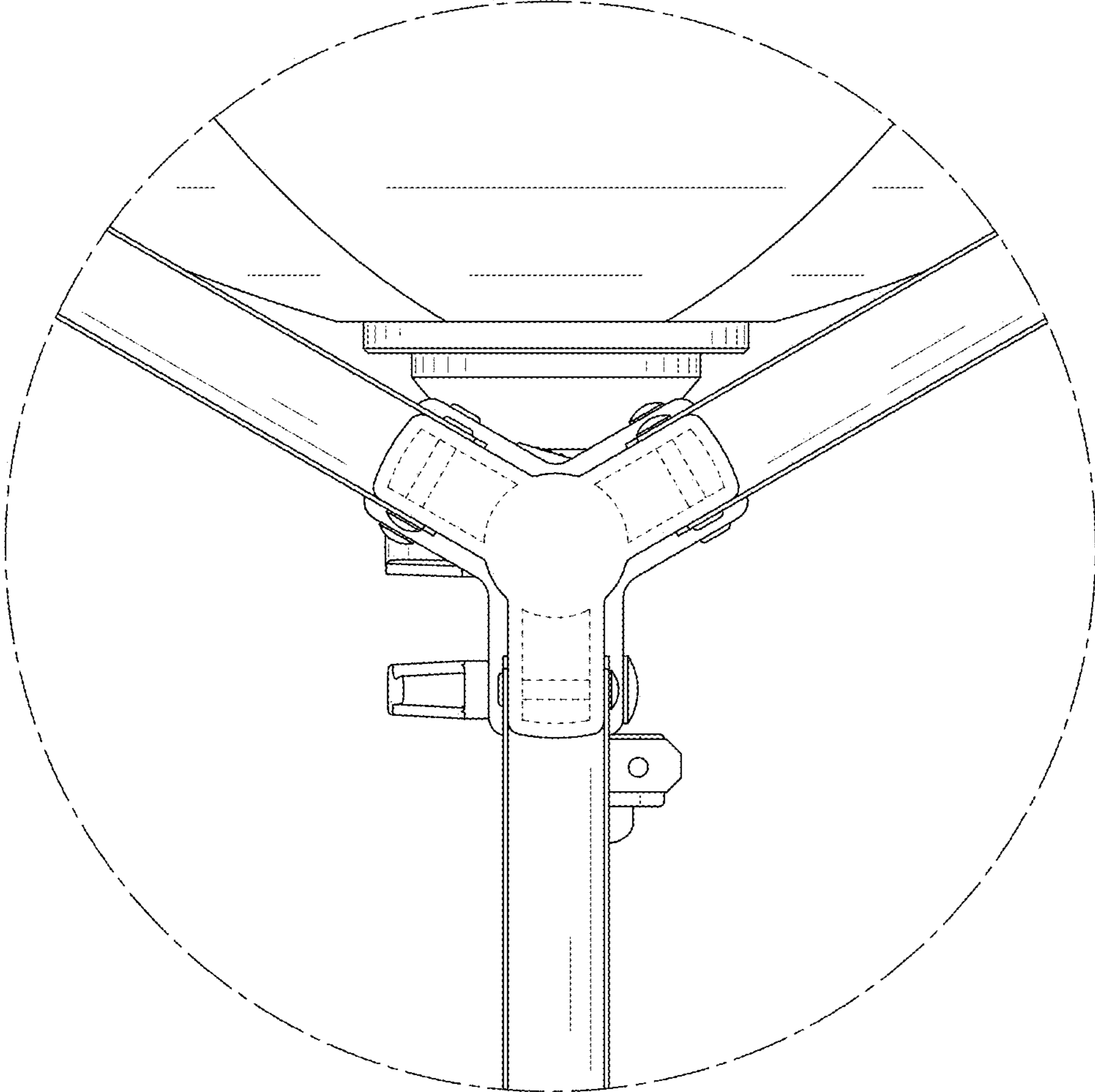


FIG. 26