



US00D956323S

(12) **United States Design Patent**
Zou

(10) **Patent No.:** **US D956,323 S**
(45) **Date of Patent:** **** Jun. 28, 2022**

- (54) **SMART RING LIGHT**
- (71) Applicant: **Zhongqi Zou**, Hunan (CN)
- (72) Inventor: **Zhongqi Zou**, Hunan (CN)
- (**) Term: **15 Years**
- (21) Appl. No.: **29/753,052**
- (22) Filed: **Sep. 29, 2020**
- (51) **LOC (13) Cl.** **26-05**
- (52) **U.S. Cl.**
USPC **D26/106; D16/244**
- (58) **Field of Classification Search**
USPC D26/49, 60, 63, 72, 79, 85, 89, 92, 93,
D26/104, 106, 111, 118, 123, 124, 138;
D16/136, 237, 239, 244, 245, 250;
D28/9, 15, 16, 17, 99; D14/253; D8/71,
D8/72
CPC F21V 21/00; F21V 21/14; F21V 21/30;
F21V 21/096; F21V 1/00; F21V 1/12;
F21V 17/06; F21V 15/01; F21V 14/00;
F21V 14/02; G03B 2215/0575; G03B
2215/0539; G03B 2215/0592; G03B
2215/0589; G03B 15/03; G03B 15/05;
A45F 2200/0508-0533; F21K 5/00; F21K
5/02; F21S 8/003; F21S 8/043
See application file for complete search history.

(56) **References Cited**

U.S. PATENT DOCUMENTS

- D250,968 S * 1/1979 Combest D26/152
- D364,241 S * 11/1995 Jaynes D26/106
- D580,580 S * 11/2008 Lodhie D26/67
- D611,178 S * 3/2010 Waring D26/34
- D617,035 S * 6/2010 Sabernig D26/89
- D622,876 S 8/2010 Takahashi
- D625,847 S 10/2010 Maglica
- D626,255 S 10/2010 Hiratsuka
- D636,513 S * 4/2011 Furtsch D26/51

- D636,899 S 4/2011 Shibahara
- D666,764 S * 9/2012 Gilad D26/87
- D683,482 S 5/2013 Bierhuizen
- D712,073 S * 8/2014 Hirabayashi D26/2
- D826,023 S * 8/2018 Chun D8/72
- D827,180 S * 8/2018 Mou D26/72
- D829,724 S * 10/2018 Chun D14/447
- D845,960 S * 4/2019 Yao D14/447
- D847,800 S * 5/2019 Wengreen D14/238.1
- D854,227 S * 7/2019 Yu D26/106
- D855,242 S * 7/2019 Chen D26/106
- D860,485 S * 9/2019 Yu D26/24
- D872,348 S * 1/2020 Liu D26/106
- D887,590 S 6/2020 Ke
- D895,716 S * 9/2020 Chen D16/244
- D895,877 S * 9/2020 Kaiser D26/72
- D901,054 S * 11/2020 Zhao D26/61
- D901,749 S * 11/2020 Chen D26/106
- D907,027 S * 1/2021 Halpern D14/253
- D907,836 S * 1/2021 Zhou D26/106

(Continued)

Primary Examiner — Clint A Samuel

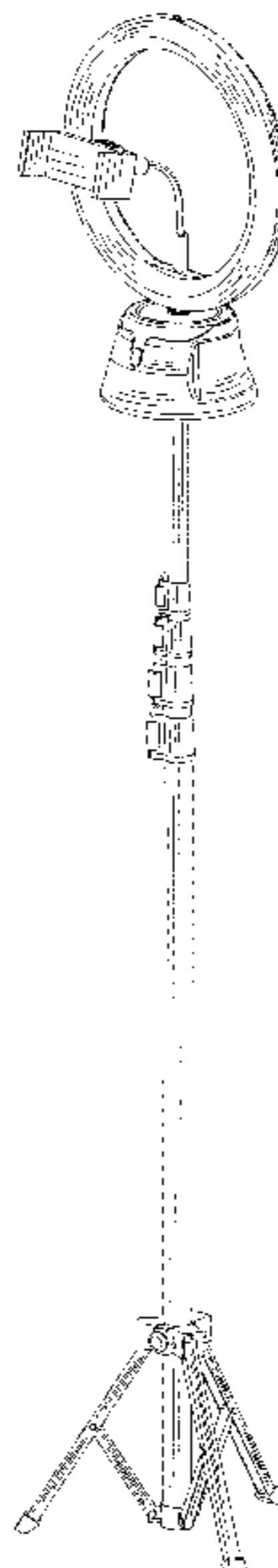
(57) **CLAIM**

The ornamental design for a smart ring light, as shown and described.

DESCRIPTION

FIG. 1 is a perspective view of a smart ring light showing my new design;
 FIG. 2 is a front elevational view thereof;
 FIG. 3 is a rear elevational view thereof;
 FIG. 4 is a left side elevational view thereof;
 FIG. 5 is a right side elevational view thereof;
 FIG. 6 is a top plan view thereof;
 FIG. 7 is a bottom plan view thereof; and,
 FIG. 8 is another perspective view thereof.
 The broken line showing in the drawings is included for the purpose of illustrating portions of the smart ring light and forms no part of the claimed design.

1 Claim, 8 Drawing Sheets



(56)

References Cited

U.S. PATENT DOCUMENTS

D909,456	S *	2/2021	Xiao	D16/244
D909,649	S *	2/2021	Chu	D26/63
D910,220	S *	2/2021	Wang	D26/63
D910,221	S *	2/2021	Wang	D26/63
D916,173	S *	4/2021	Zeng	D16/244
D917,604	S *	4/2021	Zeng	D16/244
D920,421	S *	5/2021	Li	D16/244
D922,471	S *	6/2021	Li	D16/244
D924,454	S *	7/2021	Xiong	D26/51
D929,023	S *	8/2021	Xiao	D26/106
D929,024	S *	8/2021	Xiao	D26/106
D929,025	S *	8/2021	Xiao	D26/106
D929,026	S *	8/2021	Feng	D26/106
D929,643	S *	8/2021	Feng	D26/106
D930,223	S *	9/2021	Ran	D26/106
D930,224	S *	9/2021	Lin	D26/106
D930,886	S *	9/2021	Xiao	D26/106
2013/0265752	A1 *	10/2013	Shimizu	F21V 5/045 362/231
2016/0069548	A1 *	3/2016	Wessel	F21S 9/02 362/183
2017/0118385	A1 *	4/2017	Vargas	G03B 17/561
2019/0003699	A1 *	1/2019	Mondora	F21V 33/004
2020/0281054	A1 *	9/2020	Li	H05B 45/10
2021/0180783	A1 *	6/2021	Frydenger	F21V 23/003

* cited by examiner

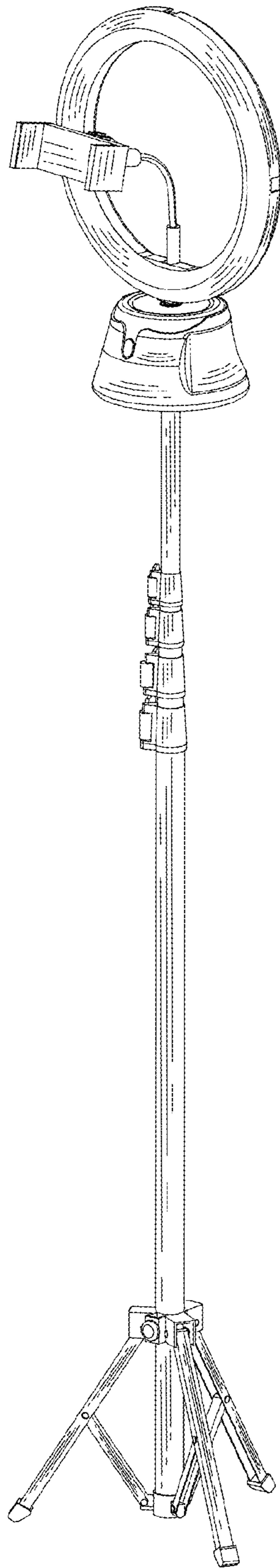


FIG.1

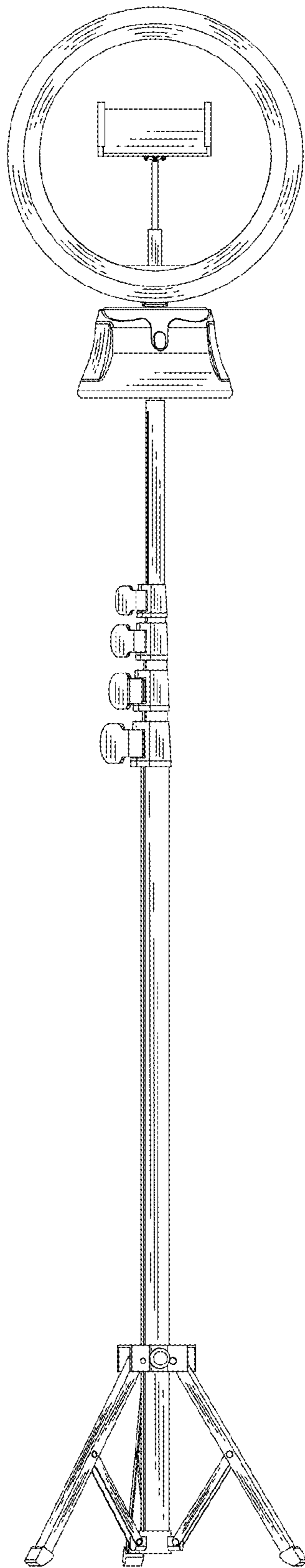


FIG.2

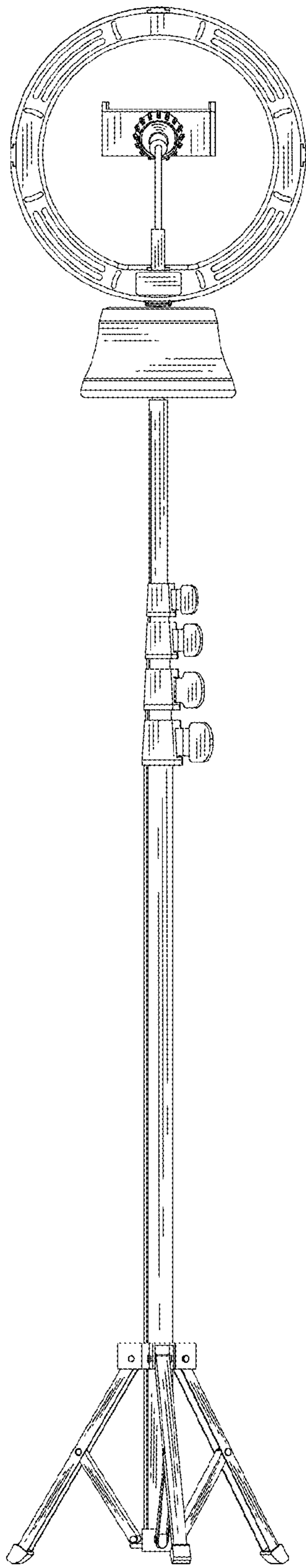


FIG.3

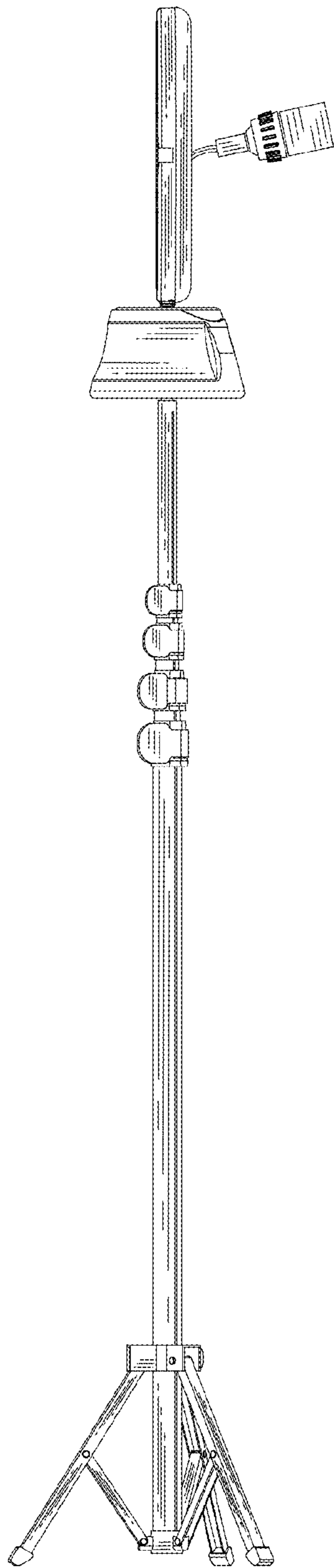


FIG.4

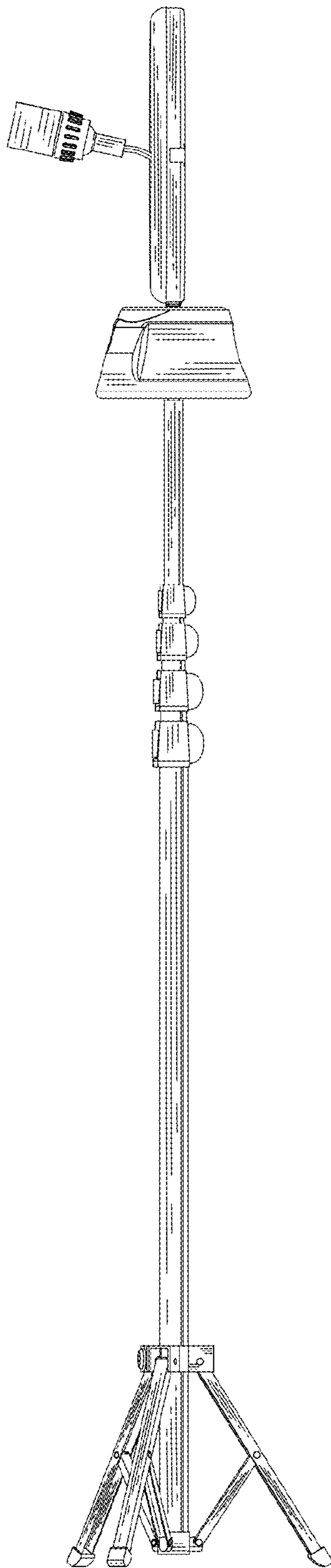


FIG.5

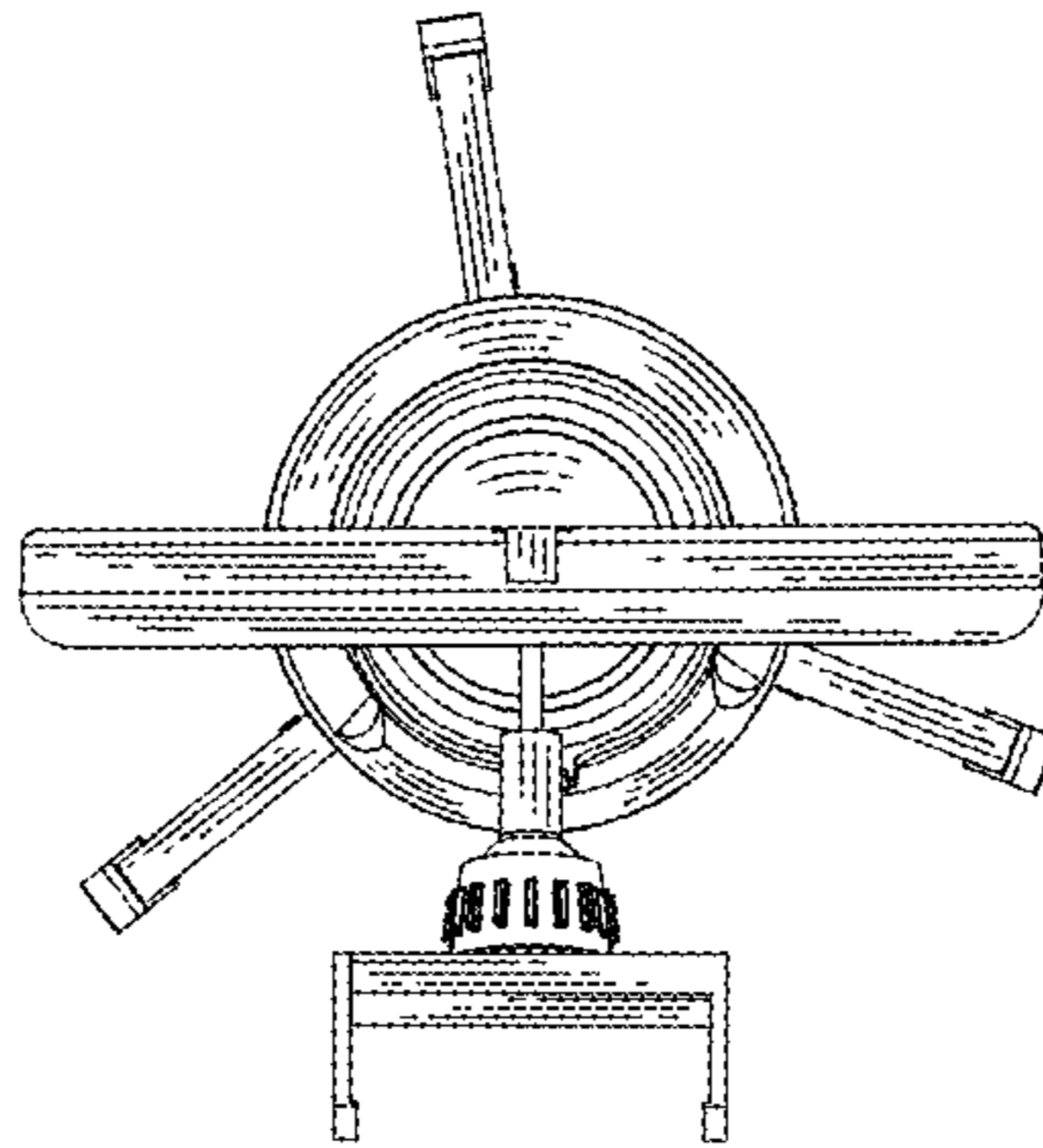


FIG.6

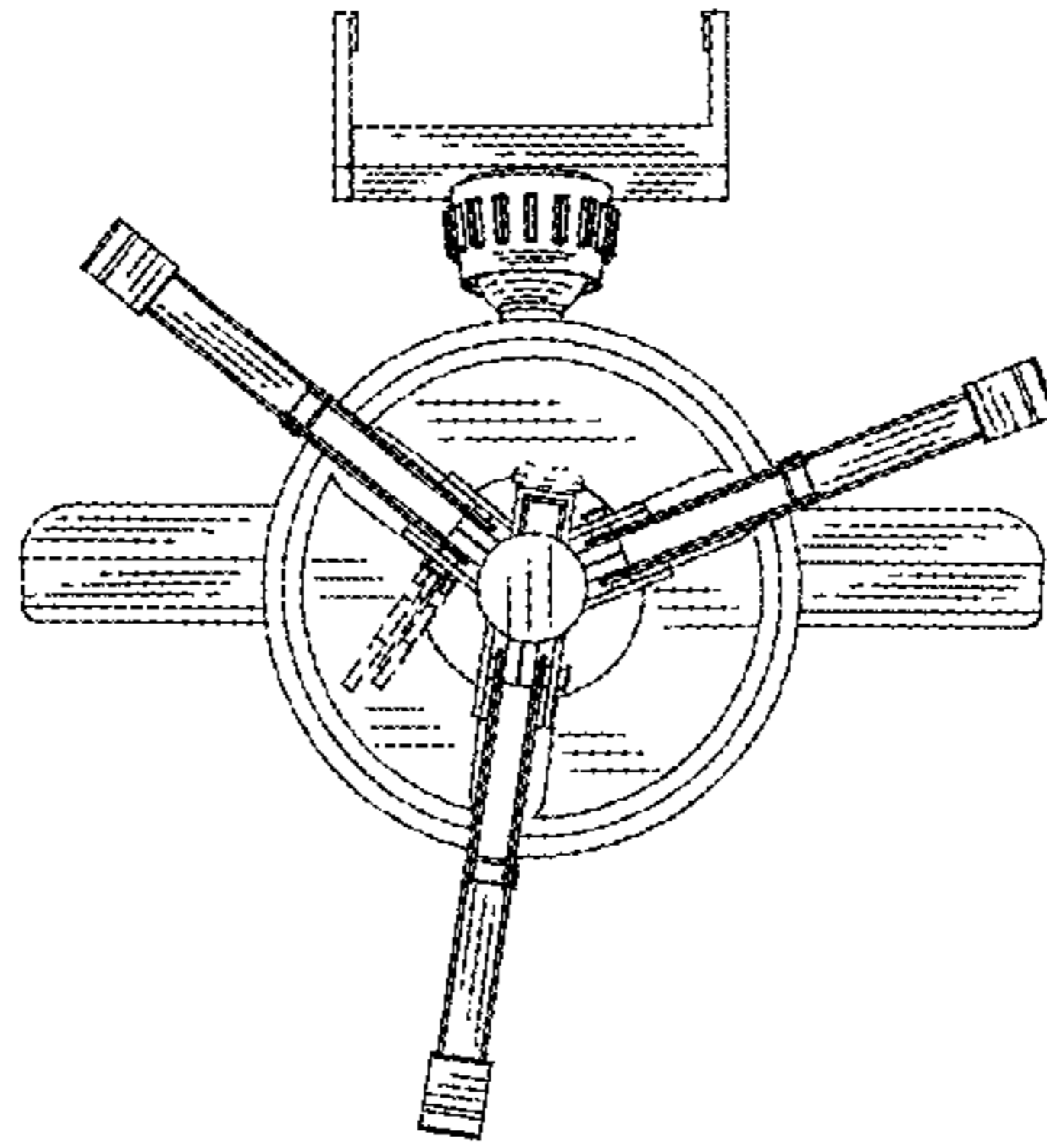


FIG.7

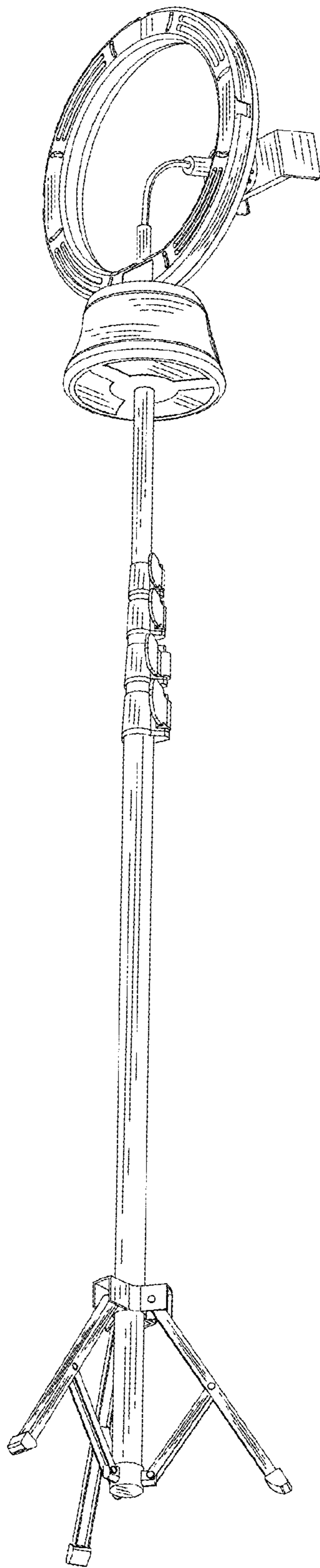


FIG.8