



US00D956318S

(12) **United States Design Patent** (10) **Patent No.:** **US D956,318 S**  
**Ji** (45) **Date of Patent:** **\*\* Jun. 28, 2022**

(54) **PROJECTION LAMP**

(71) Applicant: **HUIZHOU SUNRISE TECHNOLOGY CO., LTD**, Huizhou (CN)

(72) Inventor: **Min Ji**, Huizhou (CN)

(73) Assignee: **HUIZHOU SUNRISE TECHNOLOGY CO., LTD**, Huizhou (CN)

(\*\*) Term: **15 Years**

(21) Appl. No.: **29/765,959**

(22) Filed: **Jan. 13, 2021**

(51) **LOC (13) Cl.** ..... **26-05**

(52) **U.S. Cl.**  
USPC ..... **D26/97**

(58) **Field of Classification Search**  
USPC ... D26/7, 14, 18, 19, 22, 40, 51, 93, 94, 97, D26/98, 101, 104, 110, 135; D21/398, D21/424, 496, 498, 541, 610, 633; D20/12; D18/24  
CPC .... F21S 6/00; F21S 6/002; F21S 6/003; F21S 6/004; F21S 6/005; F21S 6/006; F21S 6/007; F21S 6/008; F21S 9/00; F21L 4/00  
See application file for complete search history.

(56) **References Cited**

**U.S. PATENT DOCUMENTS**

D161,776 S \* 1/1951 Merrill ..... D26/97  
D169,662 S \* 5/1953 Gross ..... D26/97

D354,311 S \* 1/1995 Tarozzi ..... D12/38  
D425,946 S \* 5/2000 Wei ..... D21/541  
D493,561 S \* 7/2004 Sehl ..... D26/97  
D545,473 S \* 6/2007 Nunes ..... D26/73  
D550,883 S \* 9/2007 Nunes ..... D26/73  
D551,377 S \* 9/2007 Nunes ..... D26/73  
D588,650 S \* 3/2009 Yen ..... D21/427  
D679,761 S \* 4/2013 Nava ..... D21/427  
D687,900 S \* 8/2013 Blanco ..... D21/427  
D815,335 S 4/2018 Lin  
D816,886 S 5/2018 Lin  
D936,754 S \* 11/2021 Wang ..... D21/541

\* cited by examiner

*Primary Examiner* — Clint A Samuel

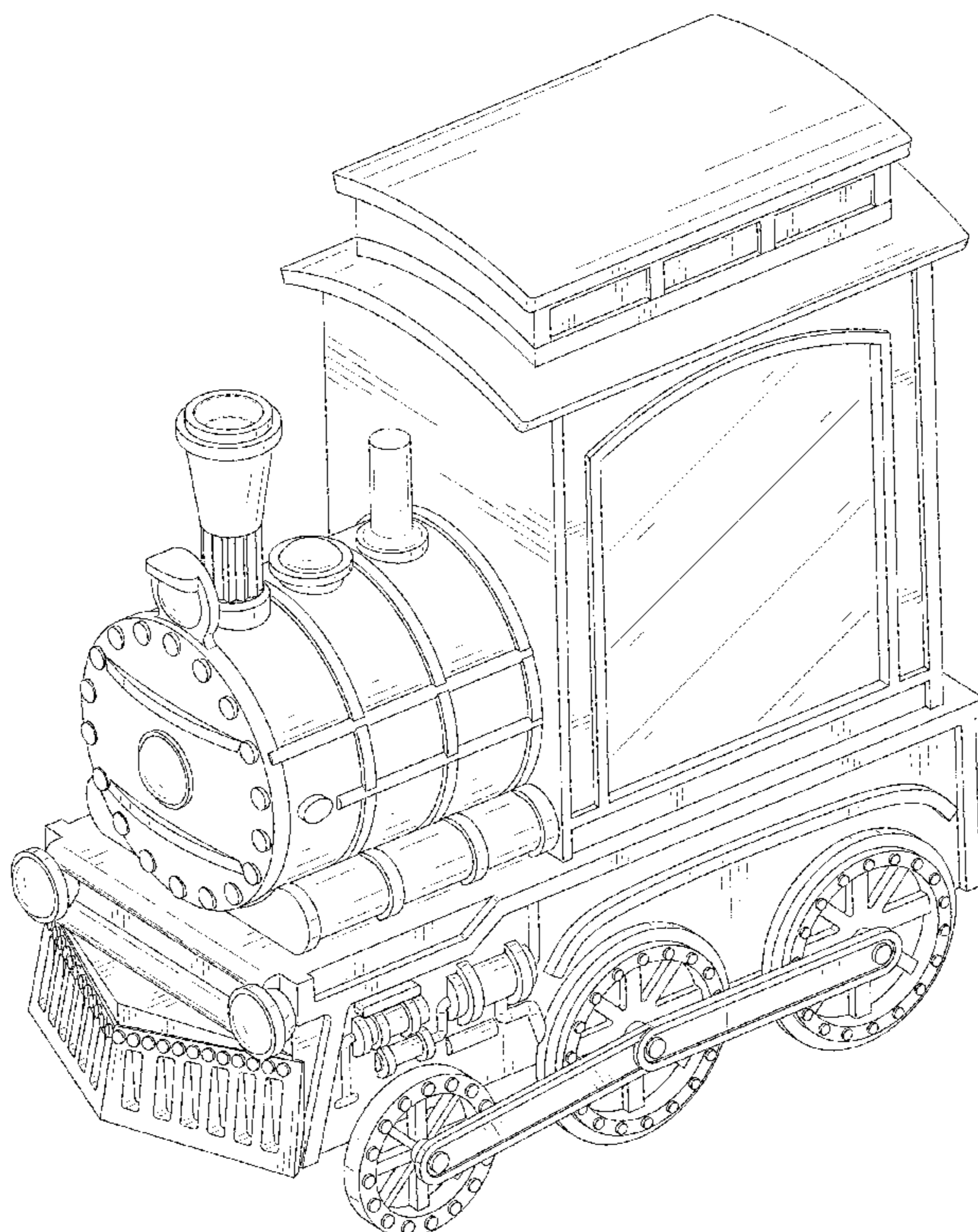
(57) **CLAIM**

The ornamental design for a projection lamp, as shown and described.

**DESCRIPTION**

FIG. 1 is a perspective view of a projection lamp showing my new design;  
FIG. 2 is another perspective view thereof;  
FIG. 3 is a front elevational view thereof;  
FIG. 4 is a rear elevational view thereof;  
FIG. 5 is a left side elevational view thereof;  
FIG. 6 is a right side elevational view thereof;  
FIG. 7 is a top plan view thereof; and,  
FIG. 8 is a bottom plan view thereof.  
The broken lines in the drawings depict portions of the projection lamp that form no part of the claimed design.

**1 Claim, 8 Drawing Sheets**



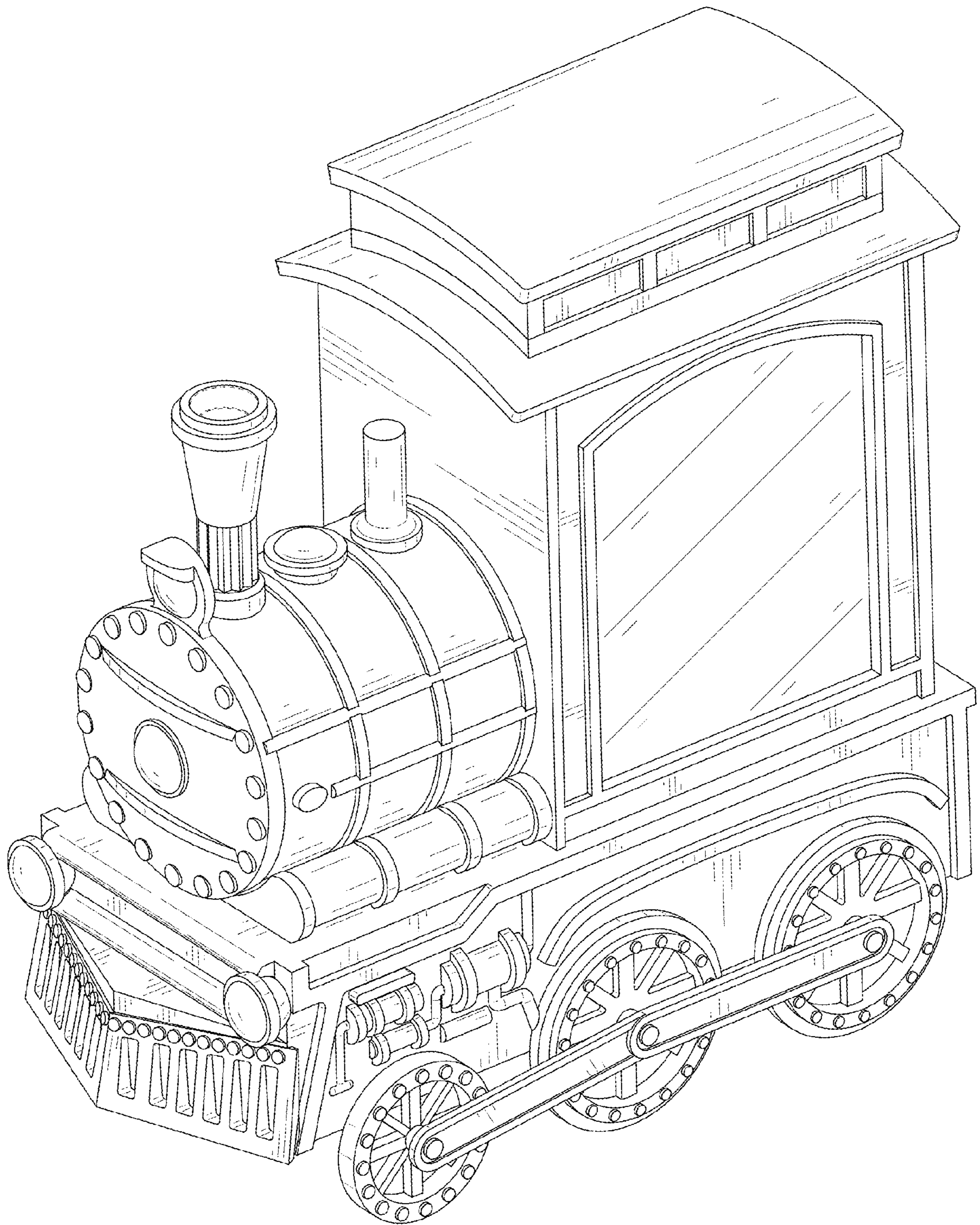


FIG. 1

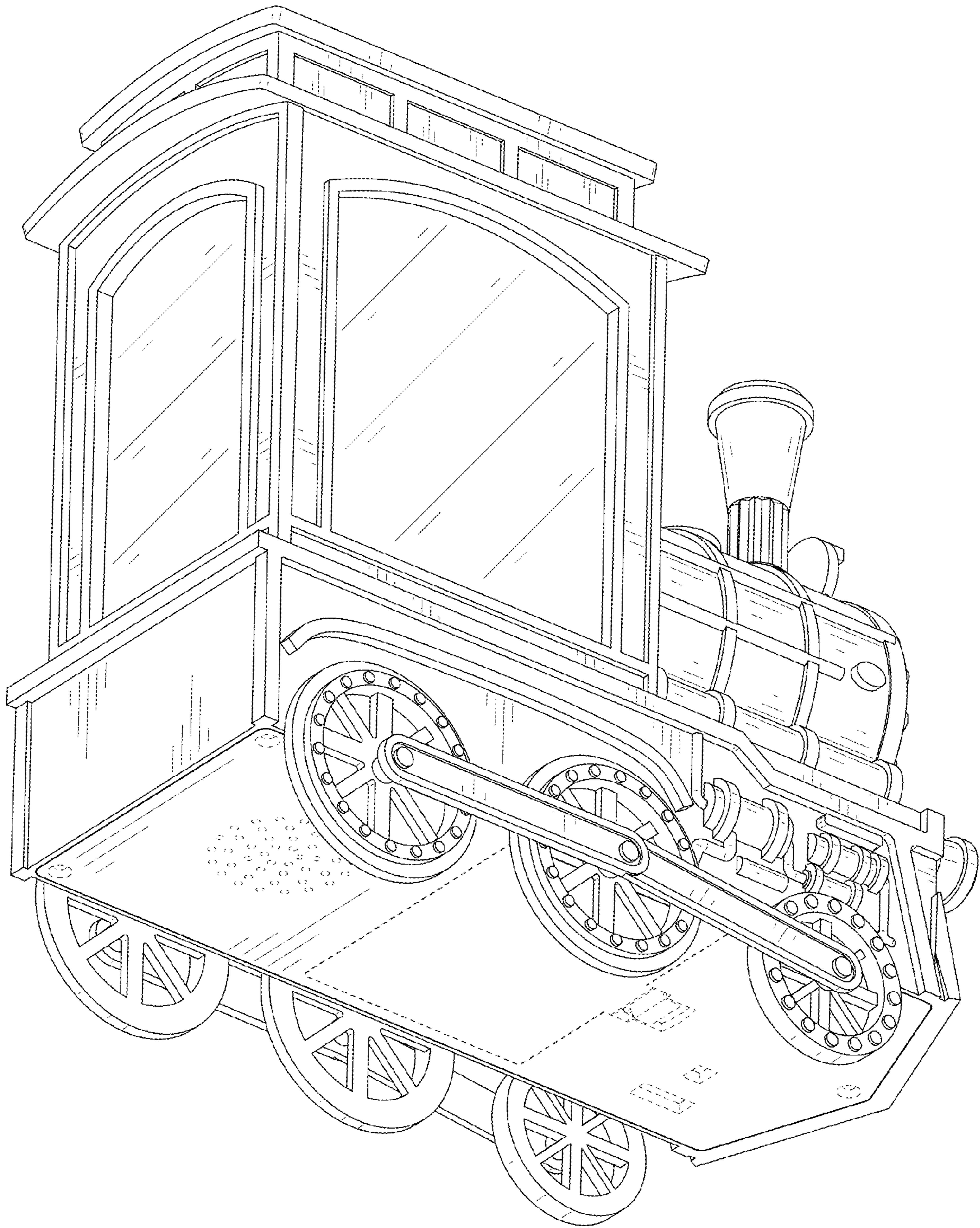


FIG. 2

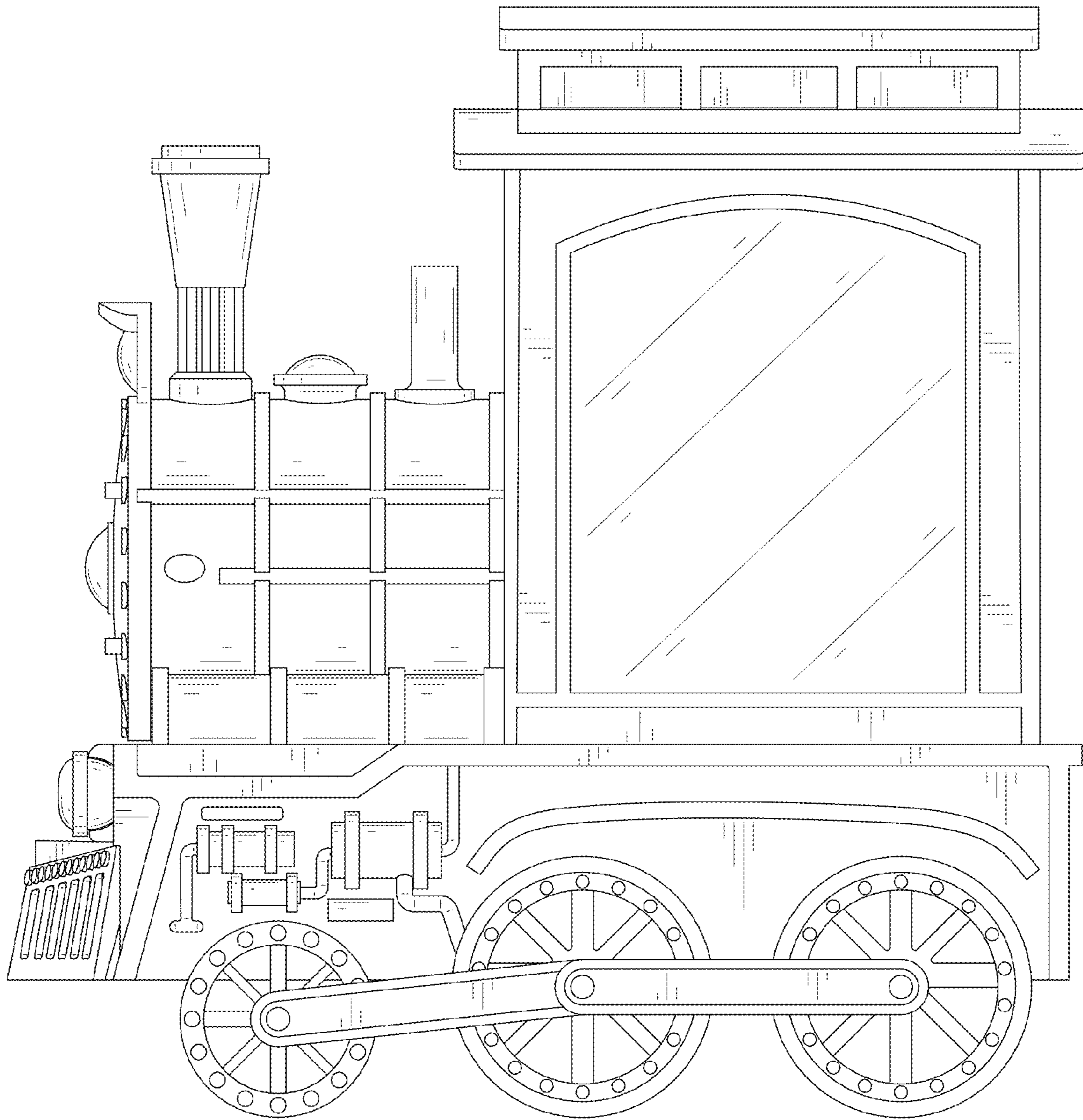


FIG. 3

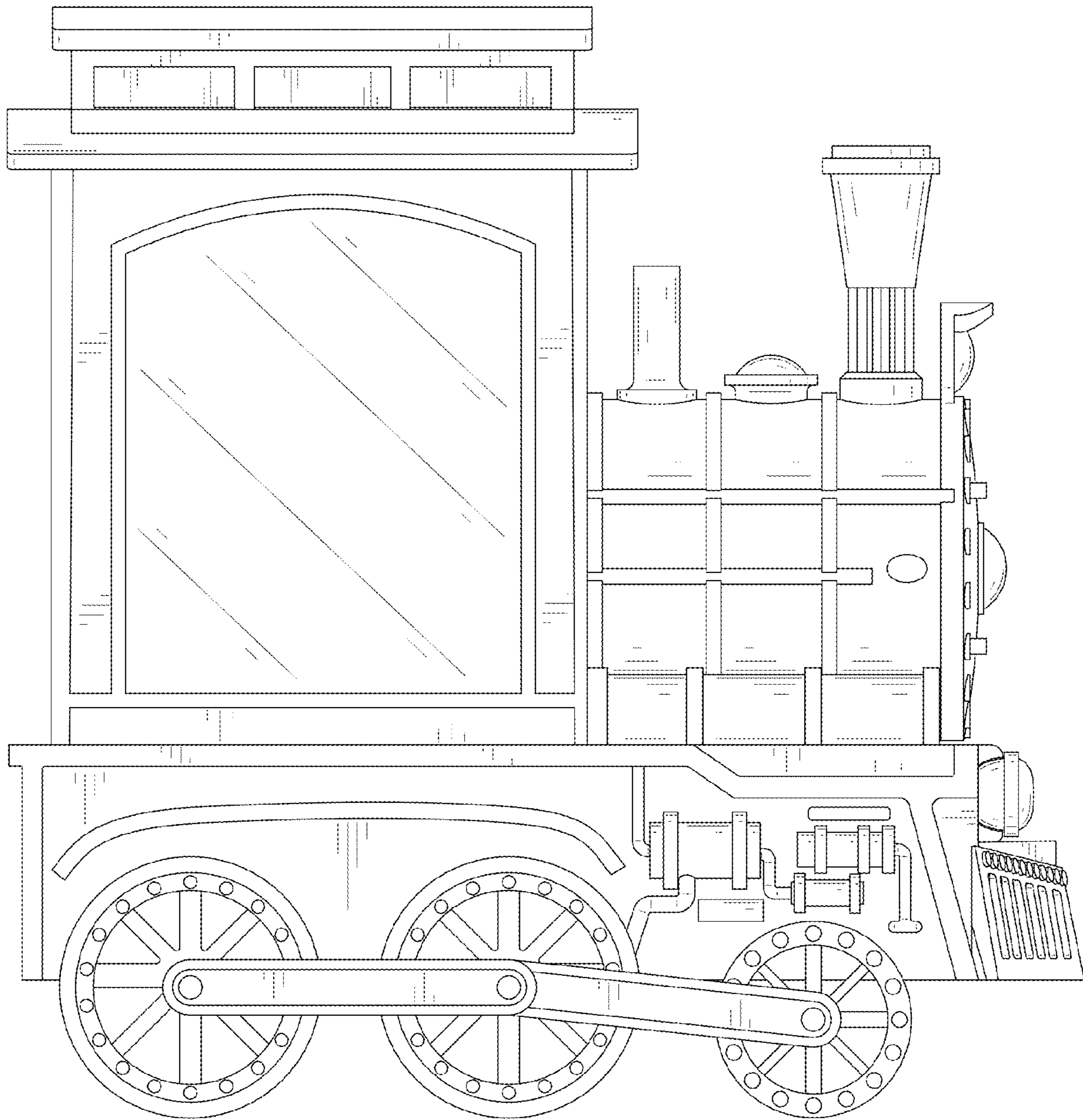


FIG. 4

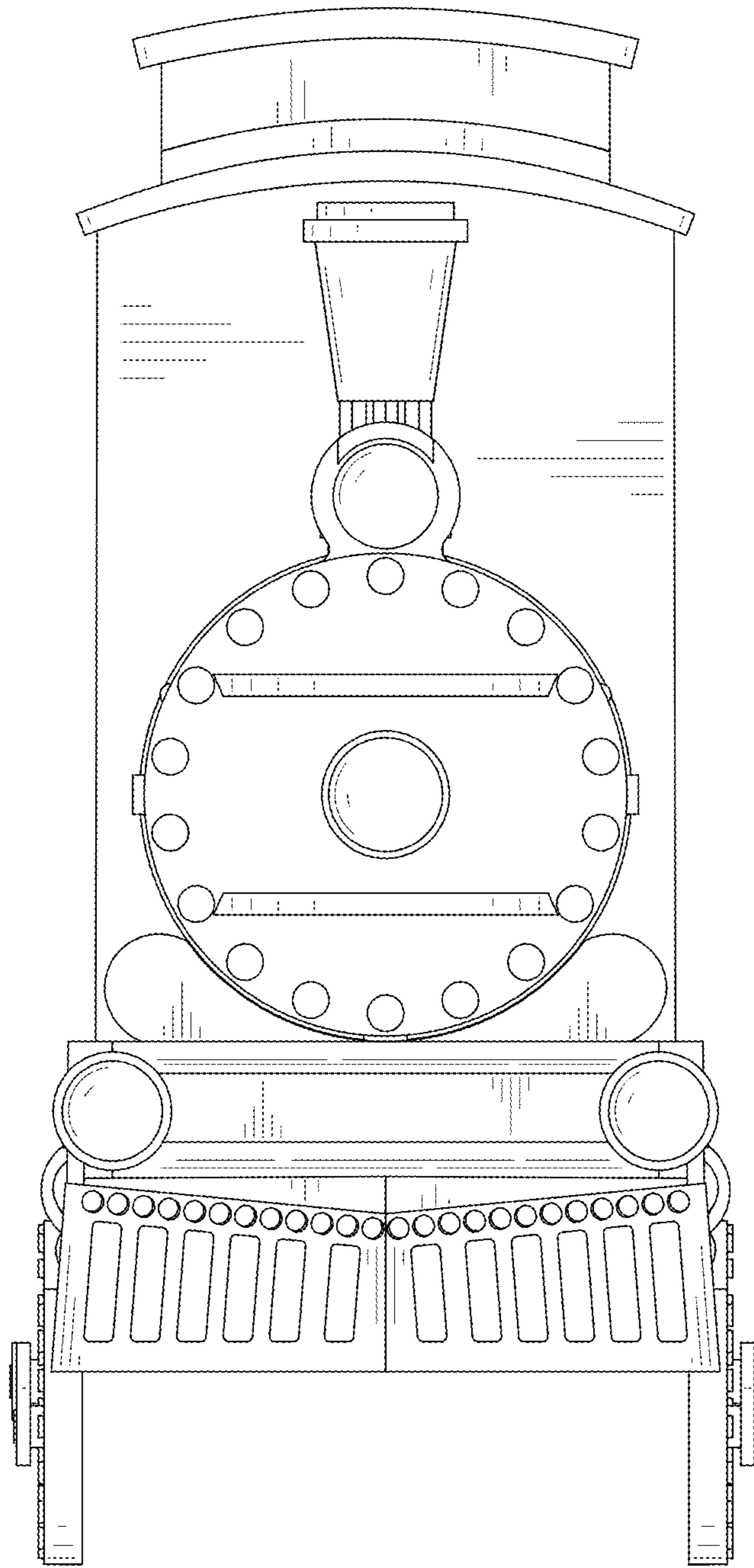


FIG. 5

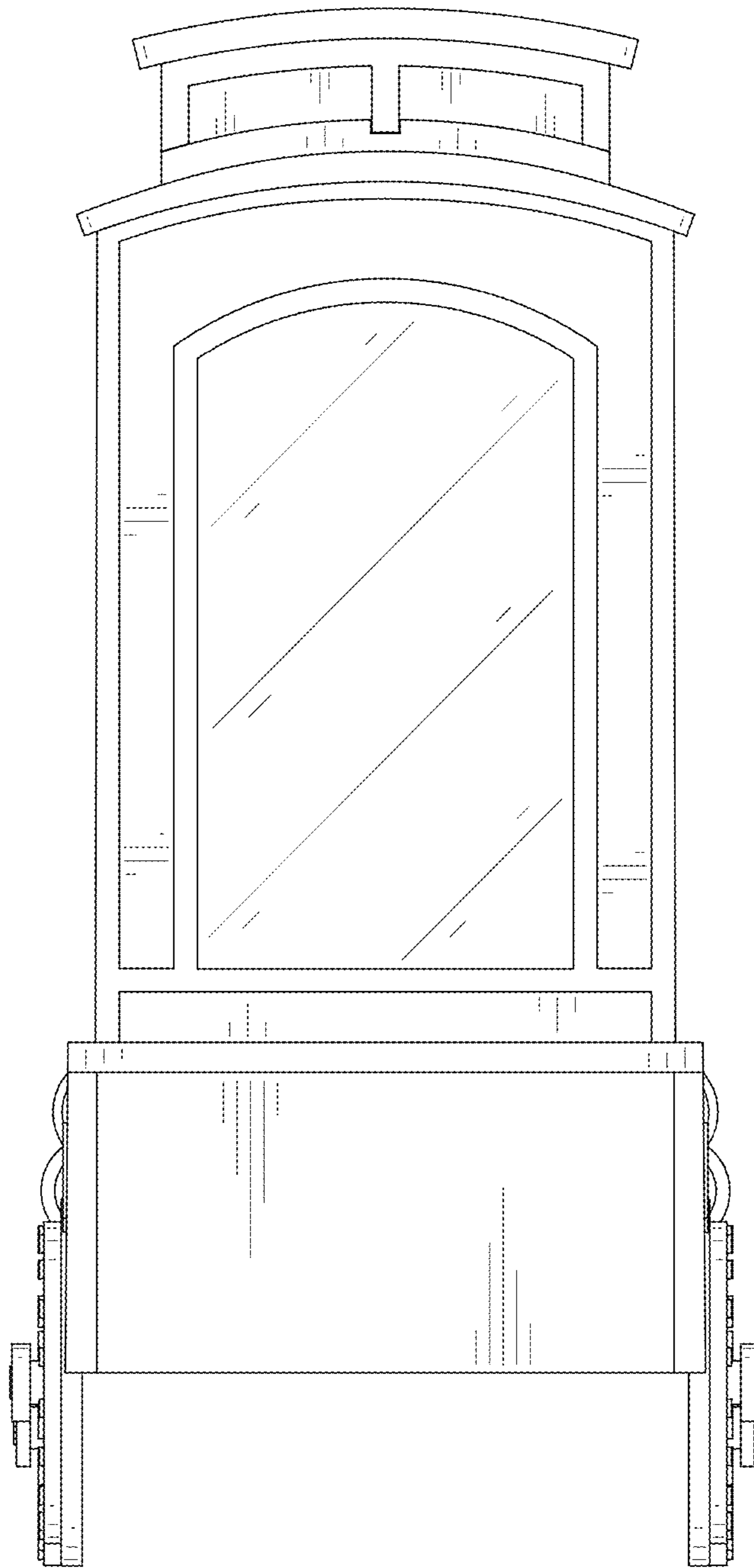


FIG. 6

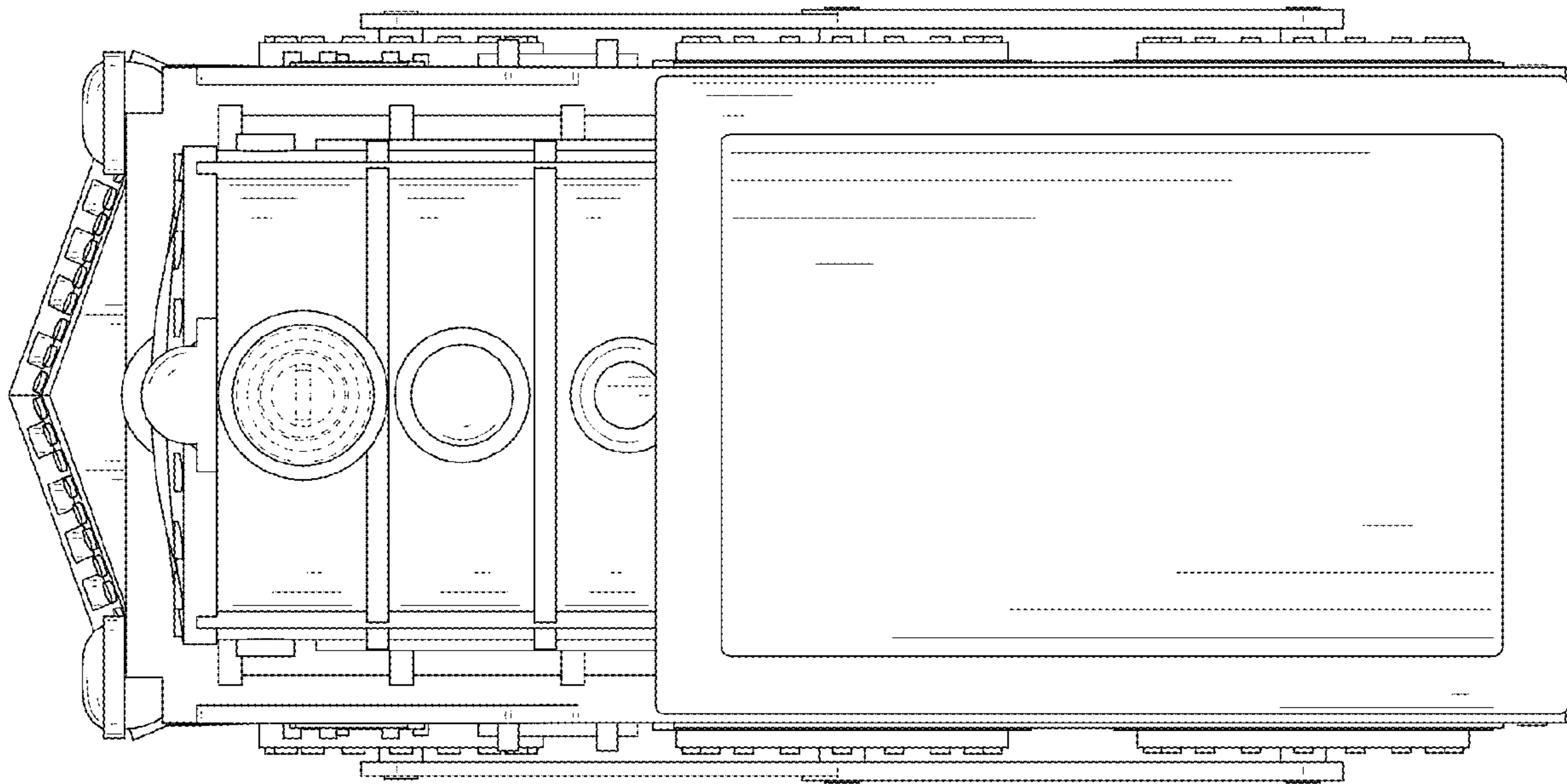


FIG. 7



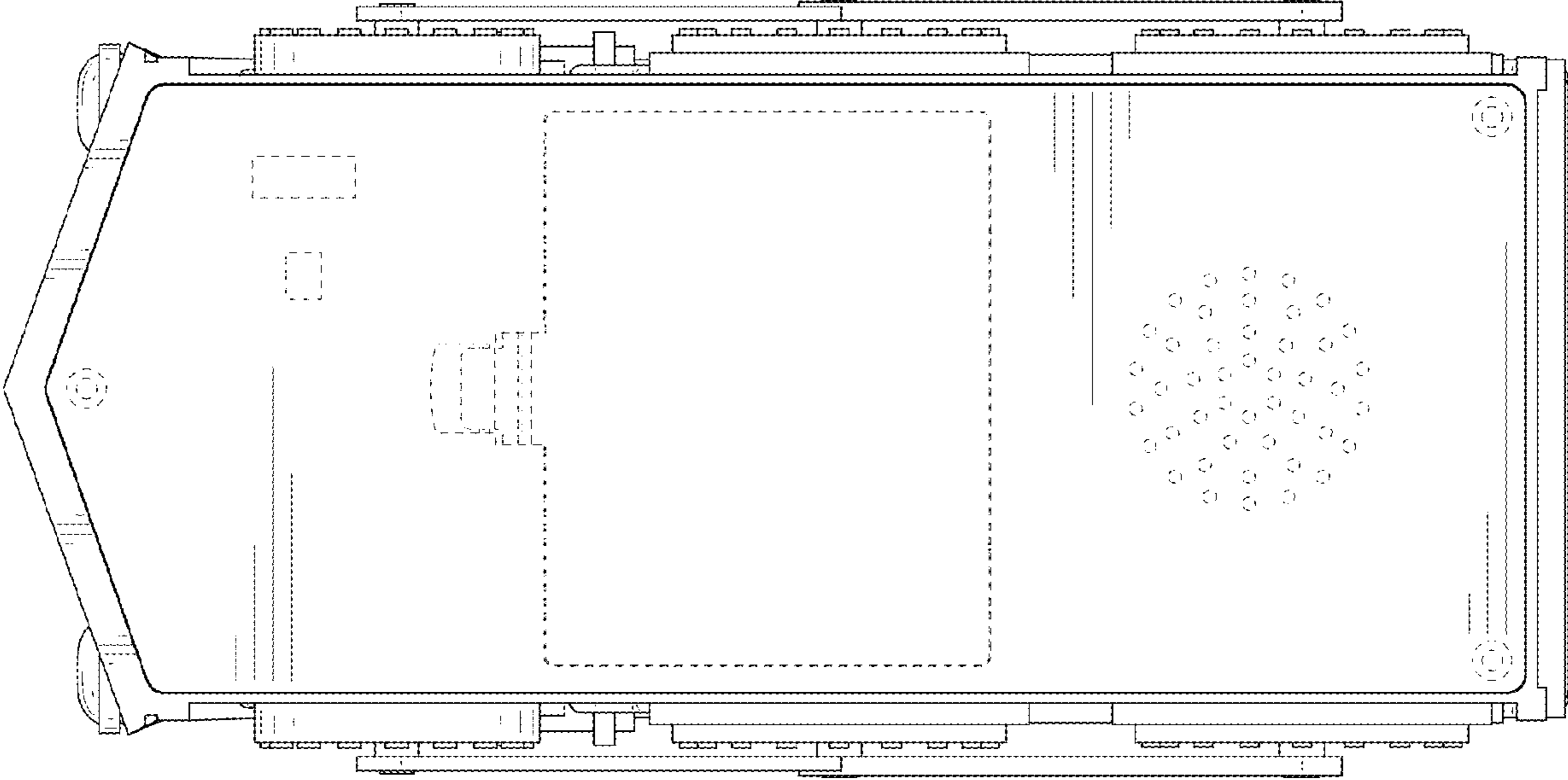


FIG. 8