



US00D956312S

(12) **United States Design Patent**
Hsu

(10) **Patent No.:** **US D956,312 S**
(45) **Date of Patent:** **** Jun. 28, 2022**

- (54) **FLASHLIGHT**
- (71) Applicant: **Dong Guan Jia Sheng Lighting Technology Co., Ltd. China, Dong-Guna (CN)**
- (72) Inventor: **Kevin Hsu, Taichung (TW)**
- (73) Assignee: **Dong Guan Jia Sheng Lighting Technology Co., Ltd. China, Guang-Dong (CN)**
- (**) Term: **15 Years**
- (21) Appl. No.: **29/710,904**
- (22) Filed: **Oct. 28, 2019**
- (51) **LOC (13) Cl.** **26-05**
- (52) **U.S. Cl.**
USPC **D26/93**
- (58) **Field of Classification Search**
USPC D26/1, 30, 37, 38, 39, 41, 49, 60, 93;
D22/108, 109
CPC F21S 8/00; F21S 8/04; F21S 8/003; F21S 9/00; F21S 9/02; F21S 9/022
See application file for complete search history.

D601,736 S *	10/2009	Swan	D26/49
D611,629 S *	3/2010	Sharrah	D26/39
D612,524 S *	3/2010	Booher	D26/39
D680,672 S *	4/2013	Sharrah	F21L 4/08
				D26/37
D729,426 S *	5/2015	Dalton	D26/39
D736,975 S *	8/2015	Tang	D26/38
D743,594 S *	11/2015	Scazziga	D26/37
D750,726 S *	3/2016	Cheng	D22/109
D810,336 S *	2/2018	Green	D26/39
D810,337 S *	2/2018	Eichelberger	D26/49
D814,677 S *	4/2018	Sukphisit	D26/60
D895,870 S *	9/2020	Huang	D26/49
D905,307 S *	12/2020	Windom	D26/49
D916,341 S *	4/2021	Christensen	D26/49

* cited by examiner

Primary Examiner — Clint A Samuel

(74) *Attorney, Agent, or Firm* — Alan D. Kamrath; Karin L. Williams; Mayer & Williams PC

(57) **CLAIM**

The ornamental design for a flashlight, as shown and described.

DESCRIPTION

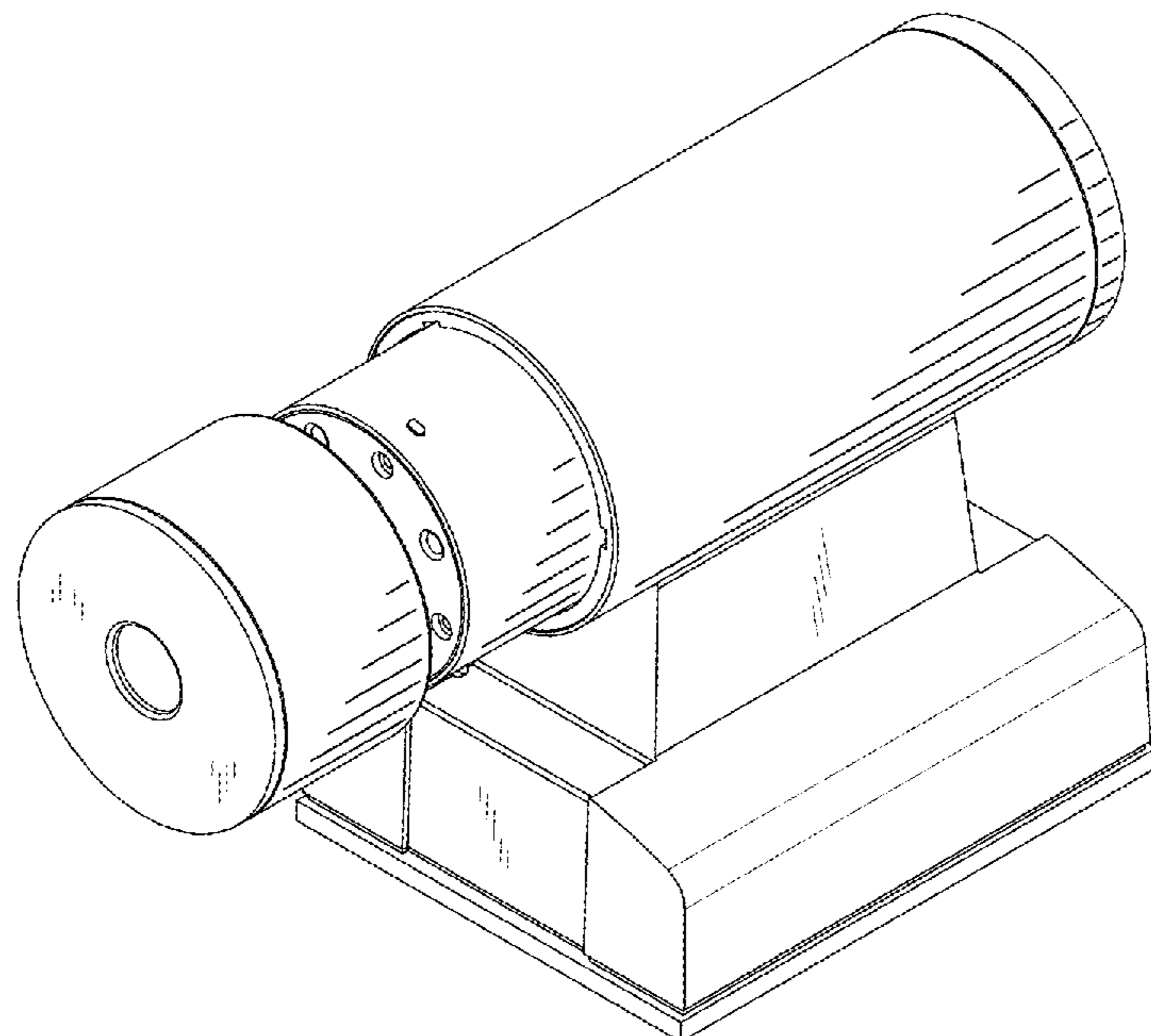
FIG. 1 is a perspective view of a flashlight showing my design.
 FIG. 2 is a front elevational view thereof, shown in slightly reduced scale.
 FIG. 3 is a rear elevational view thereof, shown in slightly reduced scale.
 FIG. 4 is a left side elevational view thereof.
 FIG. 5 is a right side elevational view thereof.
 FIG. 6 is a top plan view thereof.
 FIG. 7 is a bottom plan view thereof; and,
 FIG. 8 is a partial exploded perspective view thereof.

1 Claim, 8 Drawing Sheets

(56) **References Cited**

U.S. PATENT DOCUMENTS

D308,253 S *	5/1990	Battles	D26/38
D489,469 S *	5/2004	Liou	D26/37
D490,922 S *	6/2004	Chen	D26/37
D505,506 S *	5/2005	Kolflat	D26/37
D535,418 S *	1/2007	Martin	D26/37
D544,116 S *	6/2007	Wai	D26/37
D574,528 S *	8/2008	Witte	D26/37
D578,687 S *	10/2008	Hong	D26/37
D599,045 S *	8/2009	Castellucci	D26/37
D599,492 S *	9/2009	Wang	D26/49



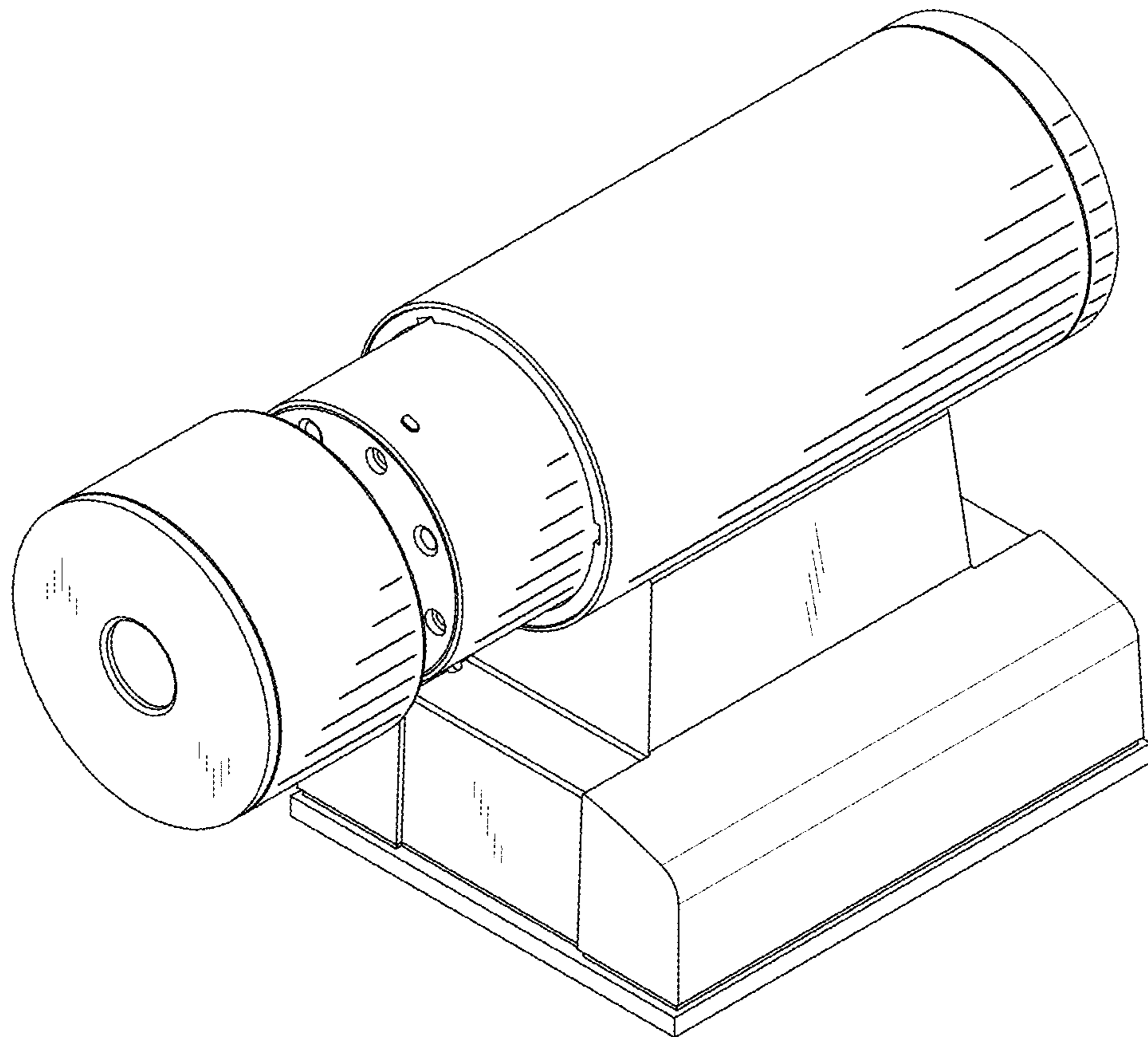


FIG. 1

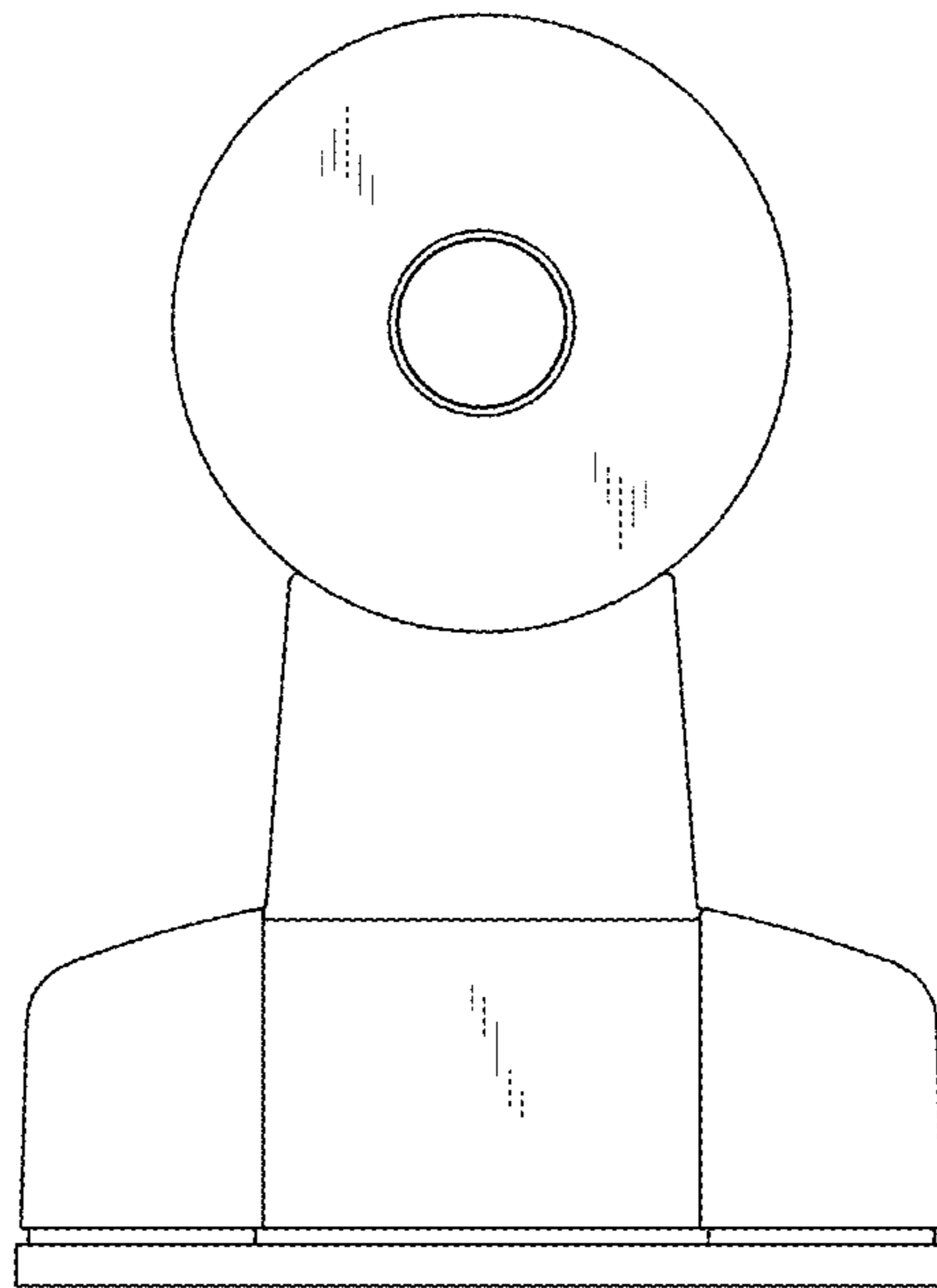


FIG. 2

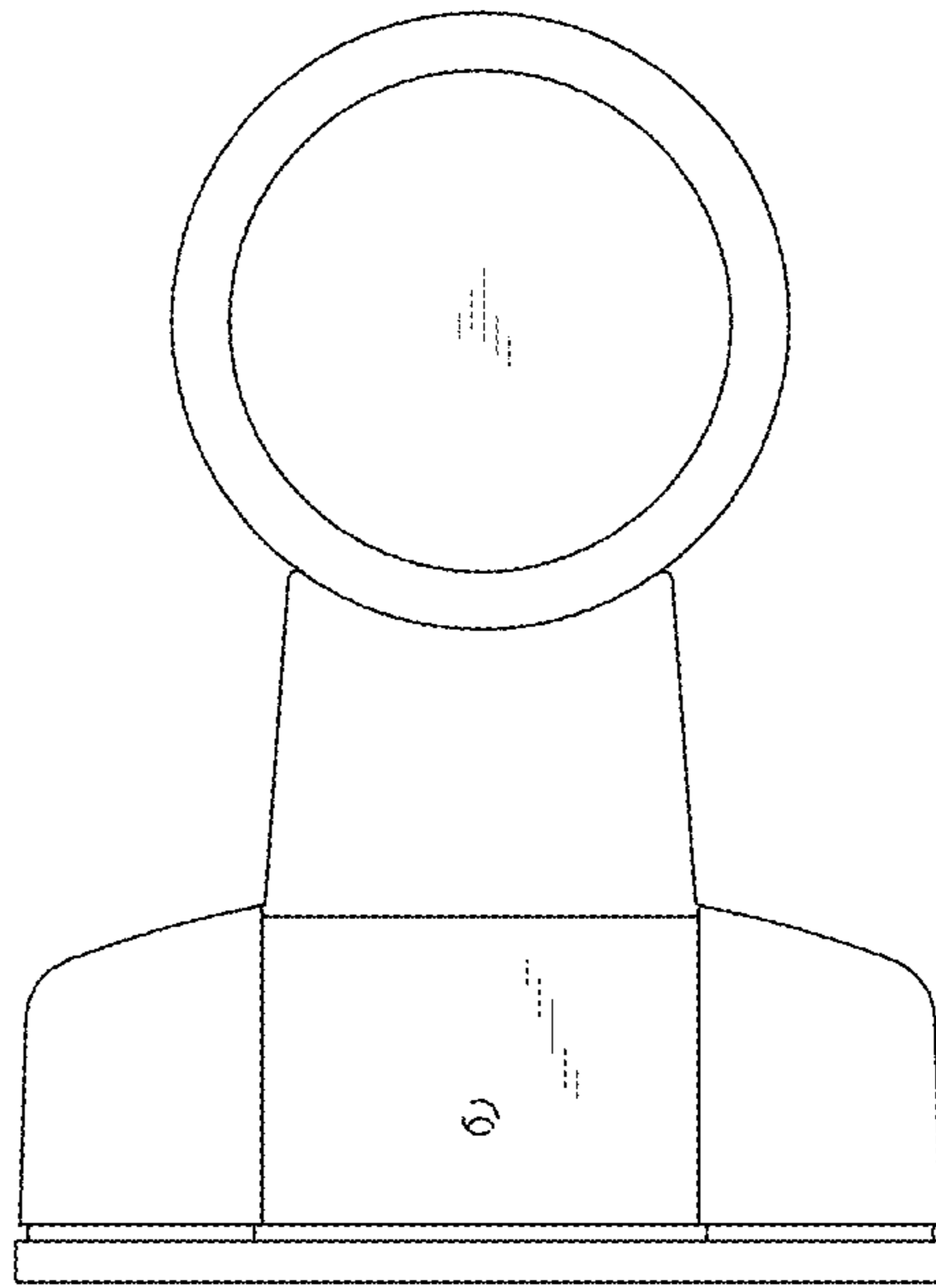


FIG. 3

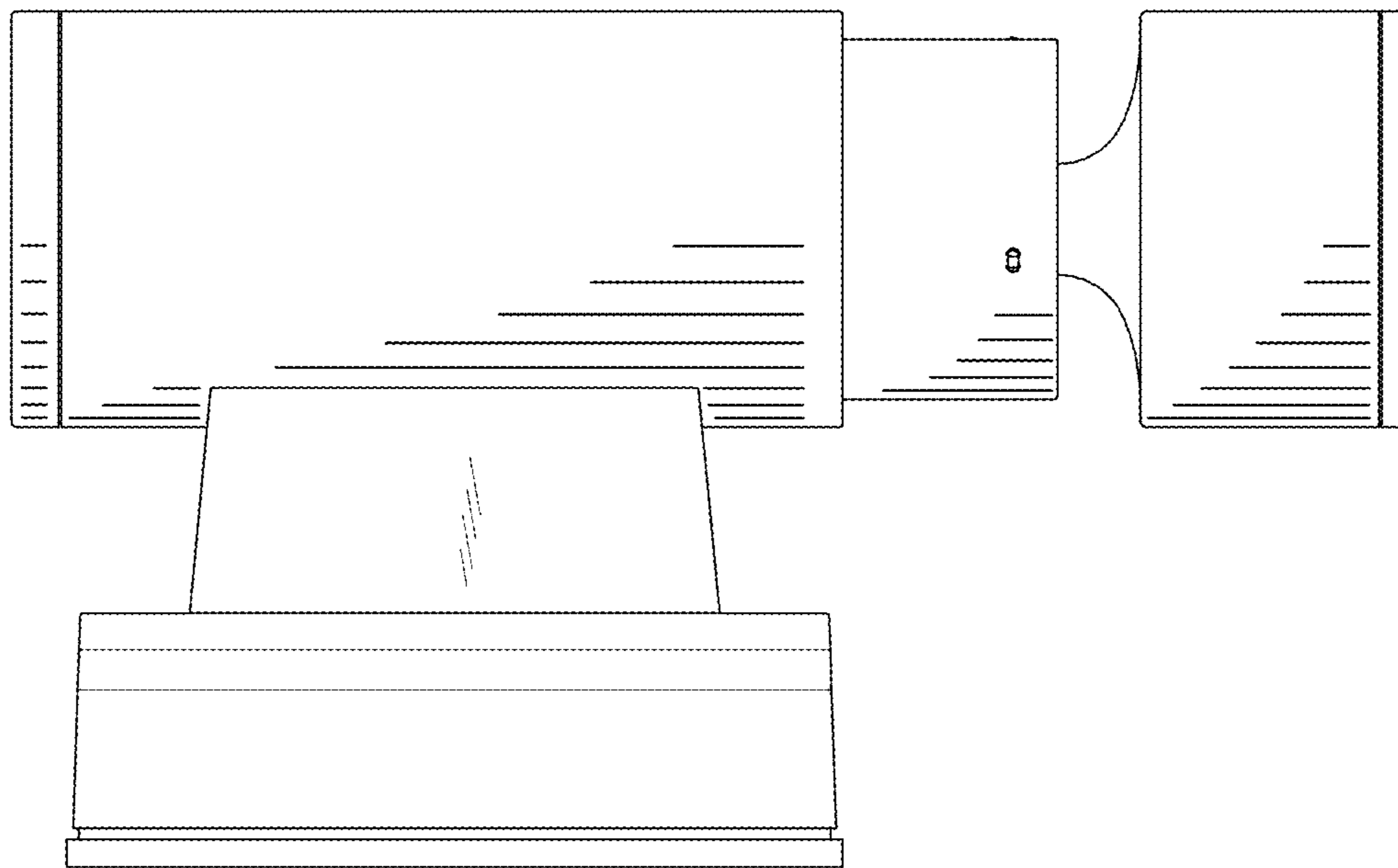


FIG. 4

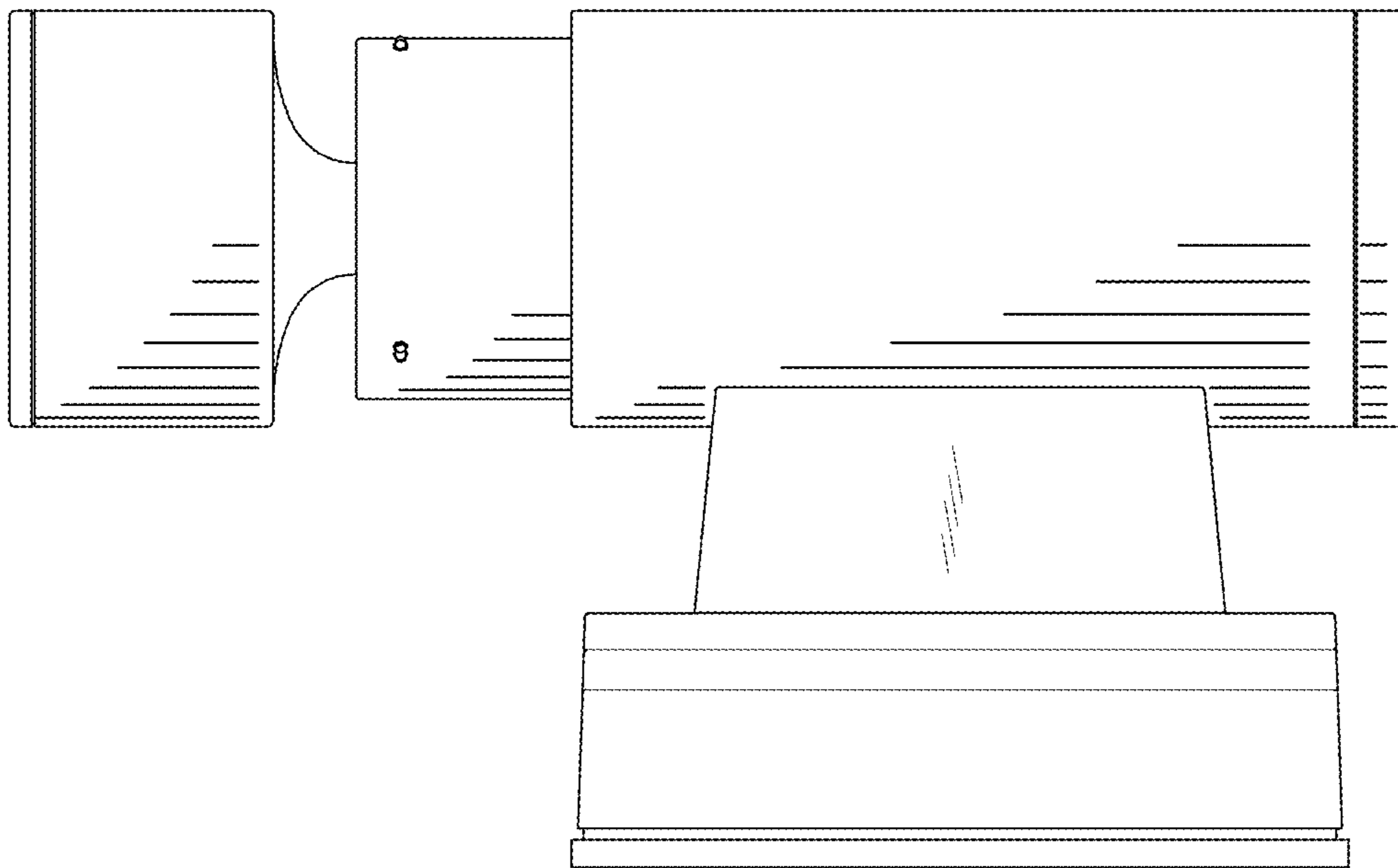


FIG. 5

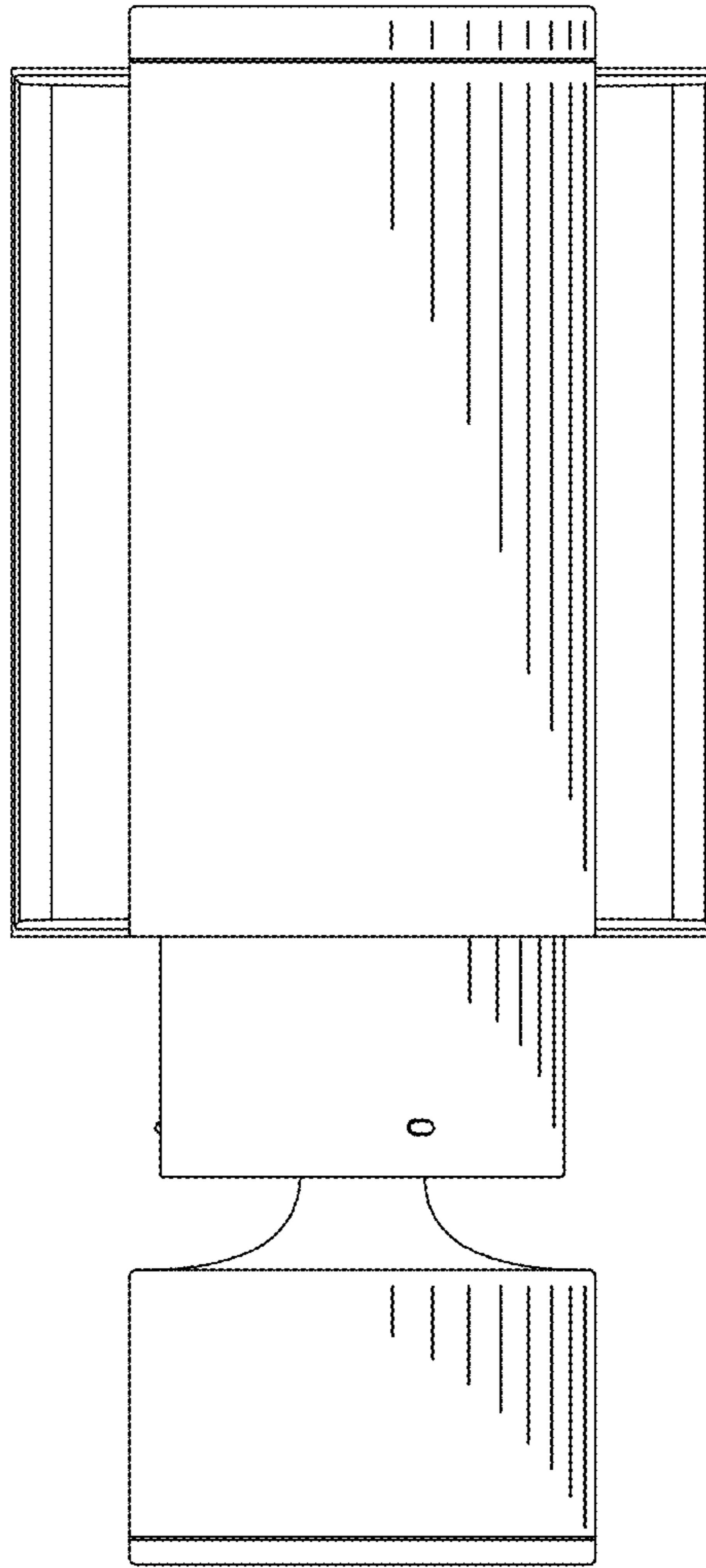


FIG. 6

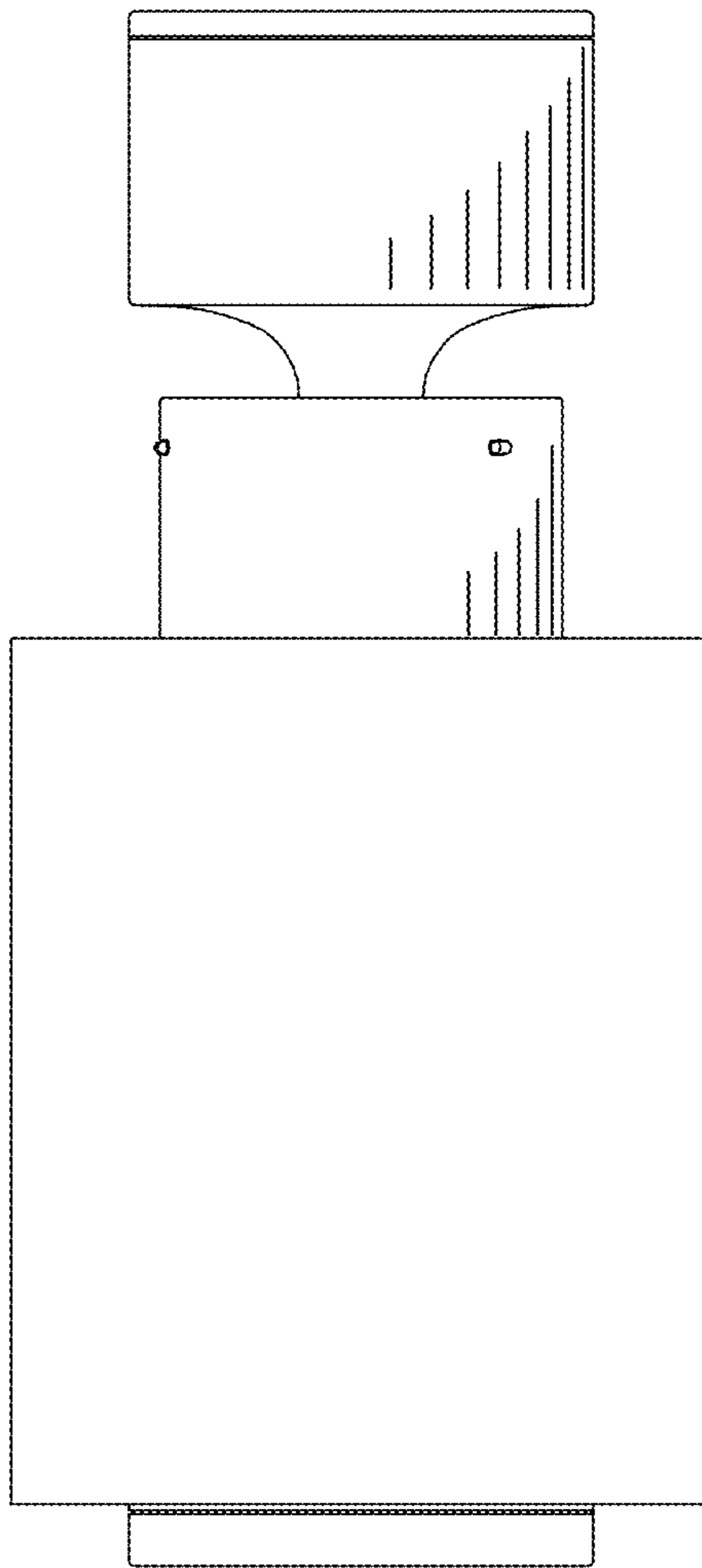


FIG. 7

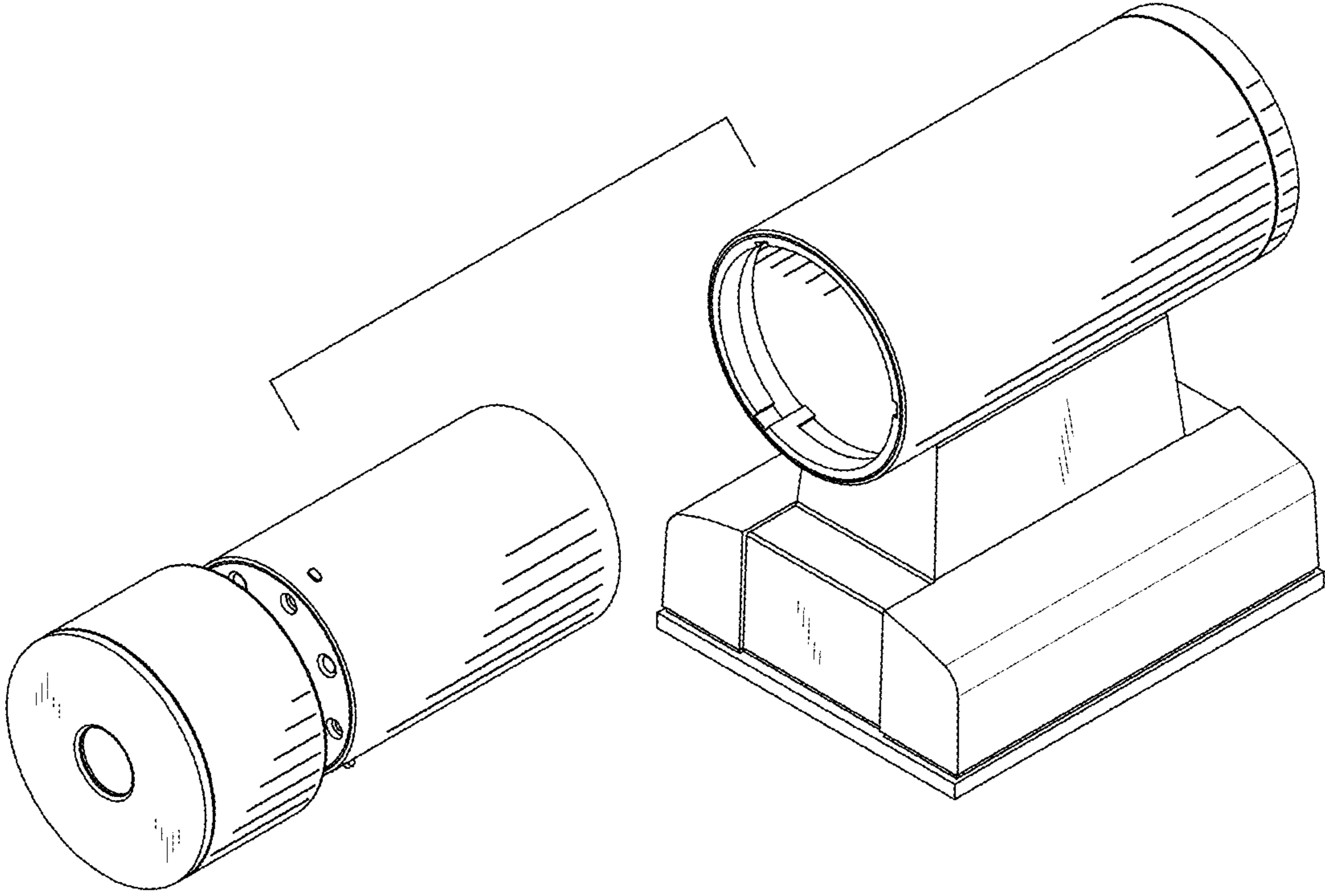


FIG. 8