



US00D956307S

(12) **United States Design Patent**
Wang

(10) **Patent No.:** **US D956,307 S**

(45) **Date of Patent:** **** Jun. 28, 2022**

(54) **LAMP**

(71) Applicant: **Bin Wang**, Shenzhen (CN)

(72) Inventor: **Bin Wang**, Shenzhen (CN)

(**) Term: **15 Years**

(21) Appl. No.: **29/769,047**

(22) Filed: **Feb. 3, 2021**

(51) **LOC (13) Cl.** **26-05**

(52) **U.S. Cl.**
USPC **D26/63; D26/60**

(58) **Field of Classification Search**
USPC D26/24, 60, 61, 63, 65, 66, 72, 79, 85,
D26/92

CPC F21V 121/00; F21V 121/14; F21V 121/30;
F21V 14/00; F21V 14/02; F21V 15/01;
F21V 17/02; F21S 8/00; F21S 8/043;
F21S 8/003; F21S 9/00; F21S 9/02;
F21W 2131/10; F21W 2131/40; F21W
2131/101; F21W 2131/107; F21W
2131/1005

See application file for complete search history.

(56) **References Cited**

U.S. PATENT DOCUMENTS

D360,960 S *	8/1995	Wedell	D26/63
D360,962 S *	8/1995	Cornell	D26/63
D566,318 S *	4/2008	Quiogue	D26/63
D574,102 S *	7/2008	Quiogue	D26/63
D642,721 S *	8/2011	Li	D26/63
D645,184 S *	9/2011	Zhan	D26/63
D673,712 S *	1/2013	Patel	D26/74
D693,397 S *	11/2013	Zhan	D16/239
D711,030 S *	8/2014	Zhan	D26/65
D711,576 S *	8/2014	Zhan	D26/63
D711,577 S *	8/2014	Zhan	D26/65
D712,581 S *	9/2014	Scarlata	D26/65
D714,481 S *	9/2014	Moeller	D26/63

D720,487 S *	12/2014	Moeller	D26/63
D723,727 S *	3/2015	Moeller	D26/63
D749,767 S *	2/2016	Jin	D26/63
D761,473 S *	7/2016	Zhang	D26/63
D762,901 S *	8/2016	Boissevain	D26/63
D803,449 S *	11/2017	Xu	D26/63
D828,620 S *	9/2018	Moller	D26/63
D848,044 S *	5/2019	Zhu	D26/63
D855,856 S *	8/2019	Du	D26/63
D862,758 S *	10/2019	Zhu	D26/63
D869,544 S	12/2019	Zhan	
D882,847 S *	4/2020	Chami	D26/63
D887,605 S	6/2020	Zhan	
D887,609 S *	6/2020	Wu	D26/63
D900,379 S *	10/2020	McLaughlin	D26/118
D903,917 S *	12/2020	Pietschmann	D26/63
D907,830 S *	1/2021	Gu	D26/63
D907,831 S *	1/2021	Gu	D26/63
D910,895 S *	2/2021	Deurwaarder	D26/63
D918,453 S *	5/2021	Rang	D26/63
D919,151 S *	5/2021	Wu	D26/63

(Continued)

Primary Examiner — Wan Laymon

Assistant Examiner — Clint A Samuel

(57) **CLAIM**

The ornamental design for a lamp, as shown and described.

DESCRIPTION

FIG. 1 is a perspective view of a lamp showing my new design;

FIG. 2 is another perspective view thereof;

FIG. 3 is a front elevational view thereof;

FIG. 4 is a rear elevational view thereof;

FIG. 5 is a left side elevational view thereof;

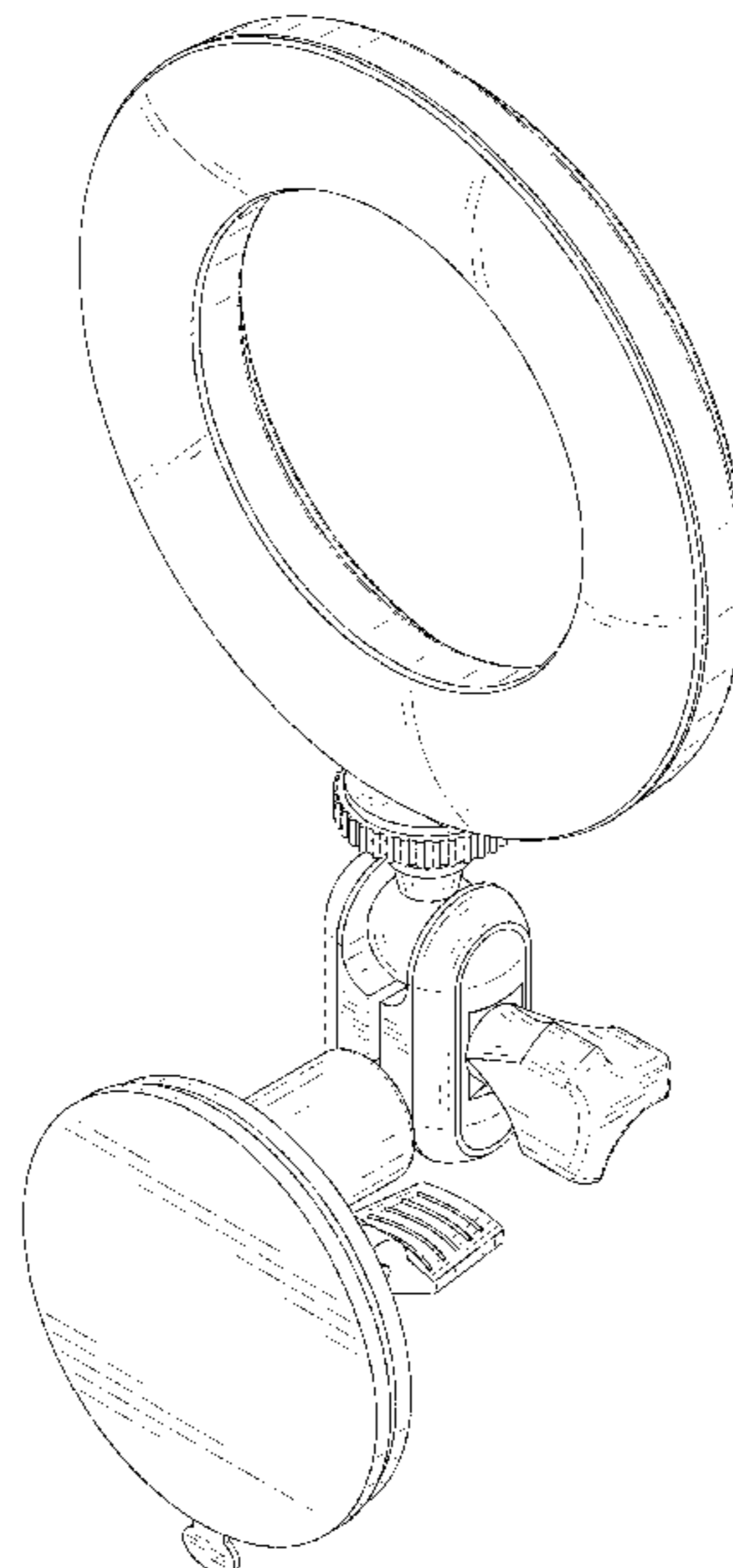
FIG. 6 is a right side elevational view thereof;

FIG. 7 is a top plan view thereof; and,

FIG. 8 is a bottom plan view thereof.

The broken lines in the drawings depict portions of the lamp that form no part of the claimed design.

1 Claim, 8 Drawing Sheets



(56)

References Cited

U.S. PATENT DOCUMENTS

D921,258 S * 6/2021 Xu D26/63
D921,260 S * 6/2021 Ke D26/65
D932,080 S * 9/2021 Wang D26/60
D937,251 S * 11/2021 Peng D14/252
2017/0202067 A1* 7/2017 Lin F21V 19/003
2019/0178479 A1* 6/2019 Liu G03B 15/02
2021/0195715 A1* 6/2021 Kowalenko F21V 23/0471

* cited by examiner

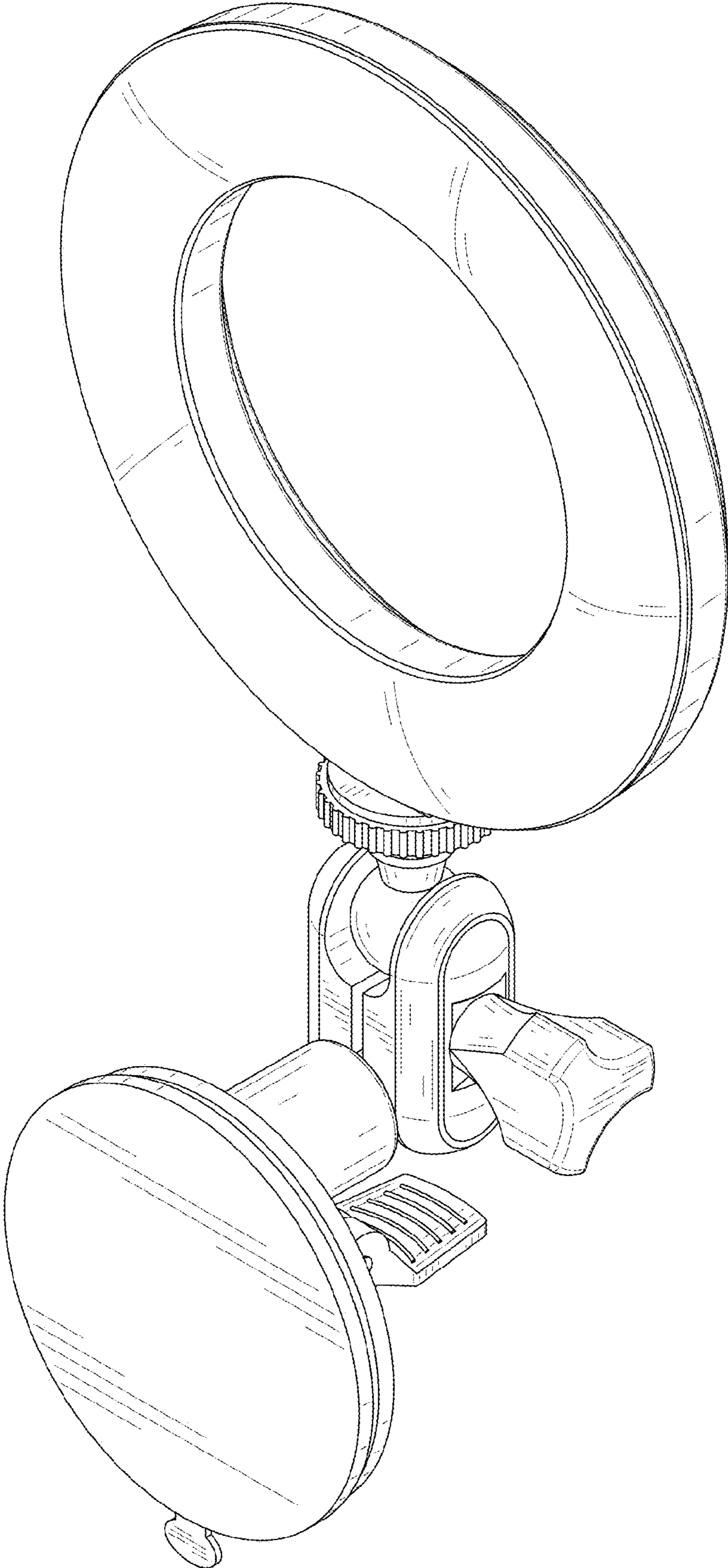


FIG. 1

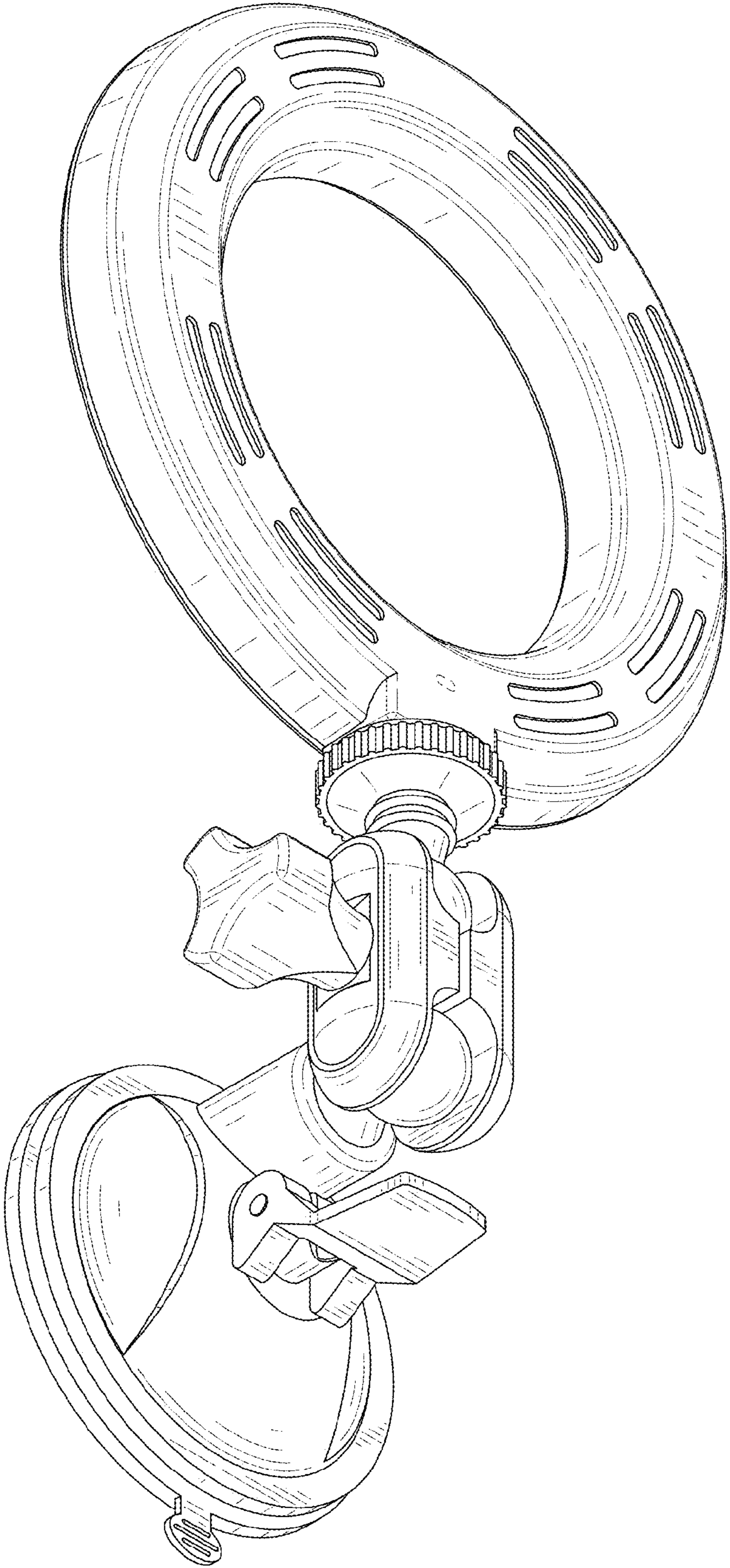


FIG. 2

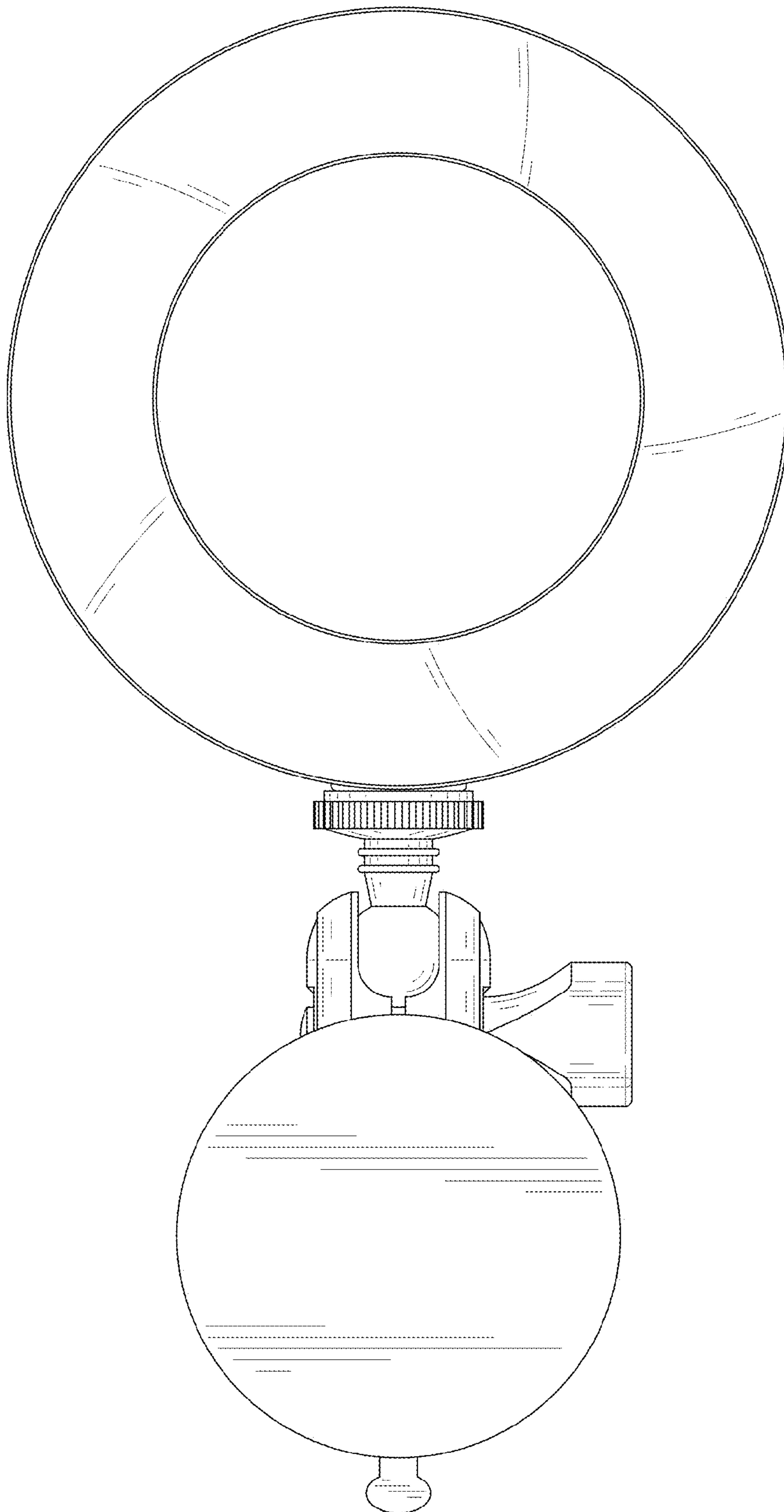


FIG. 3

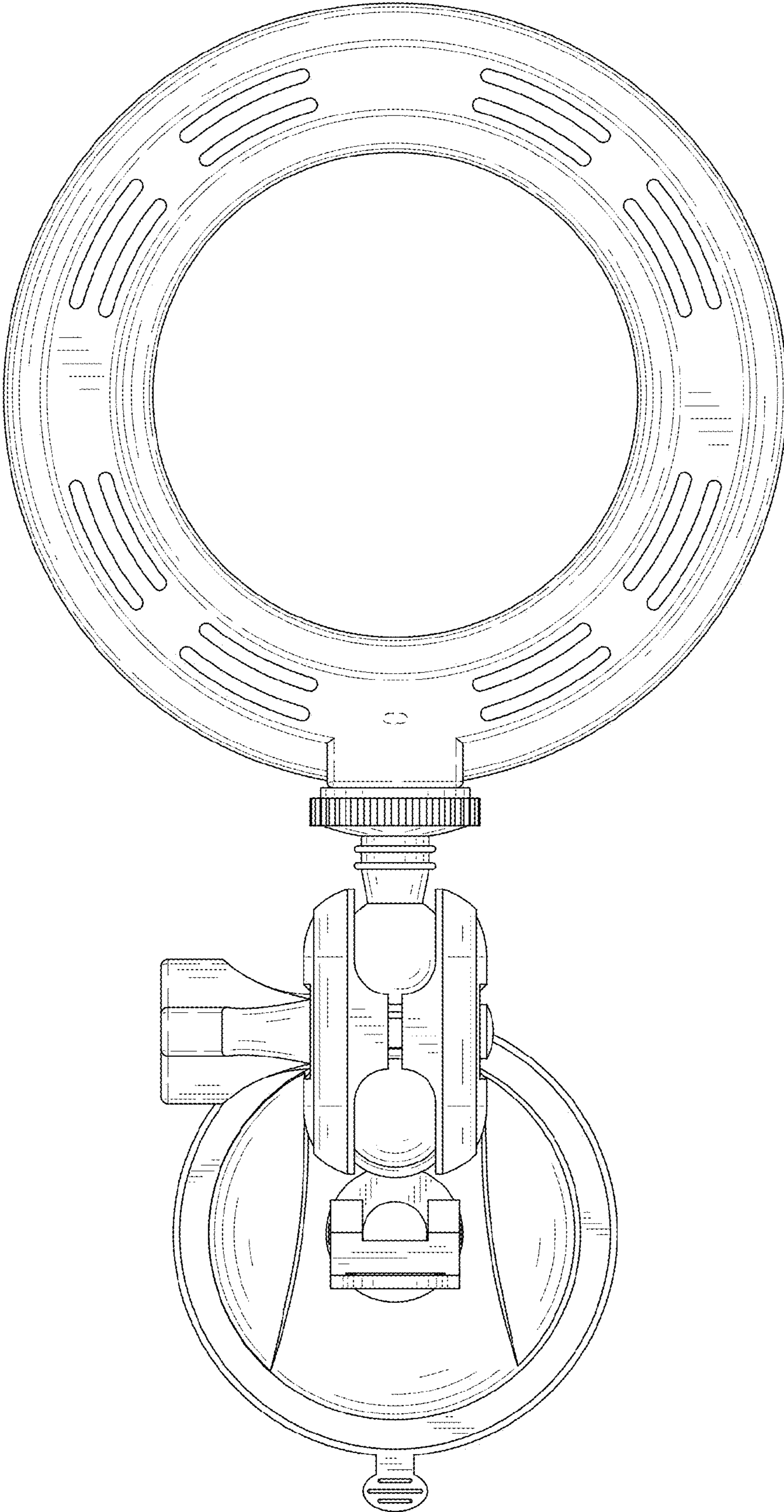


FIG. 4

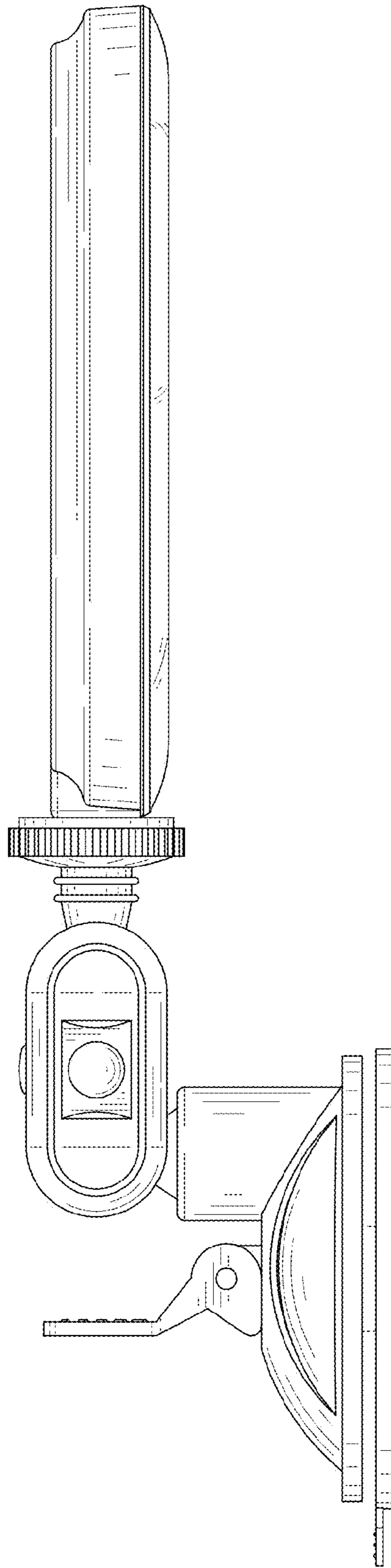


FIG. 5

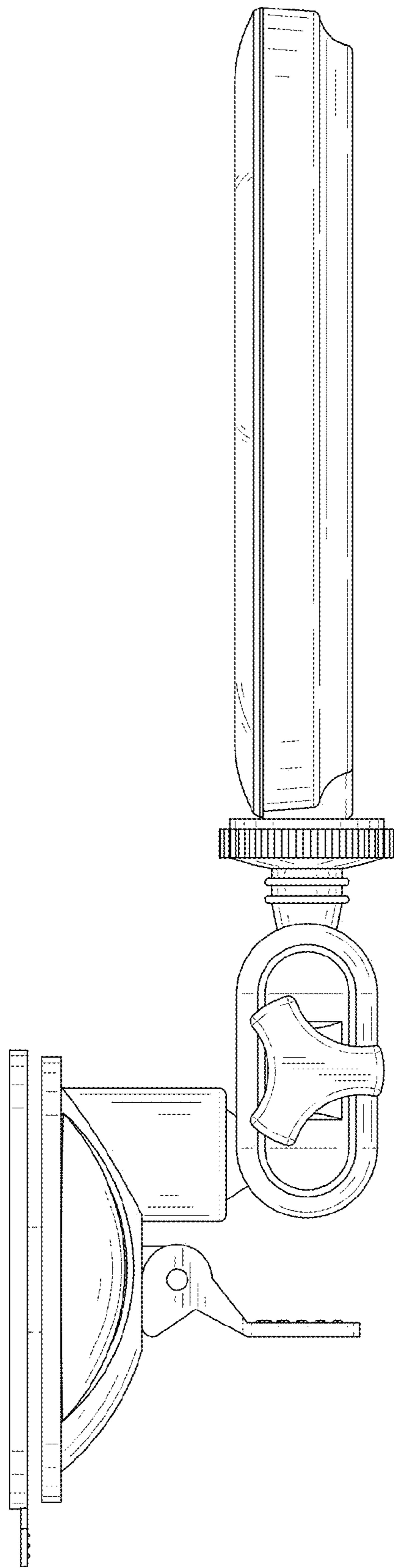


FIG. 6

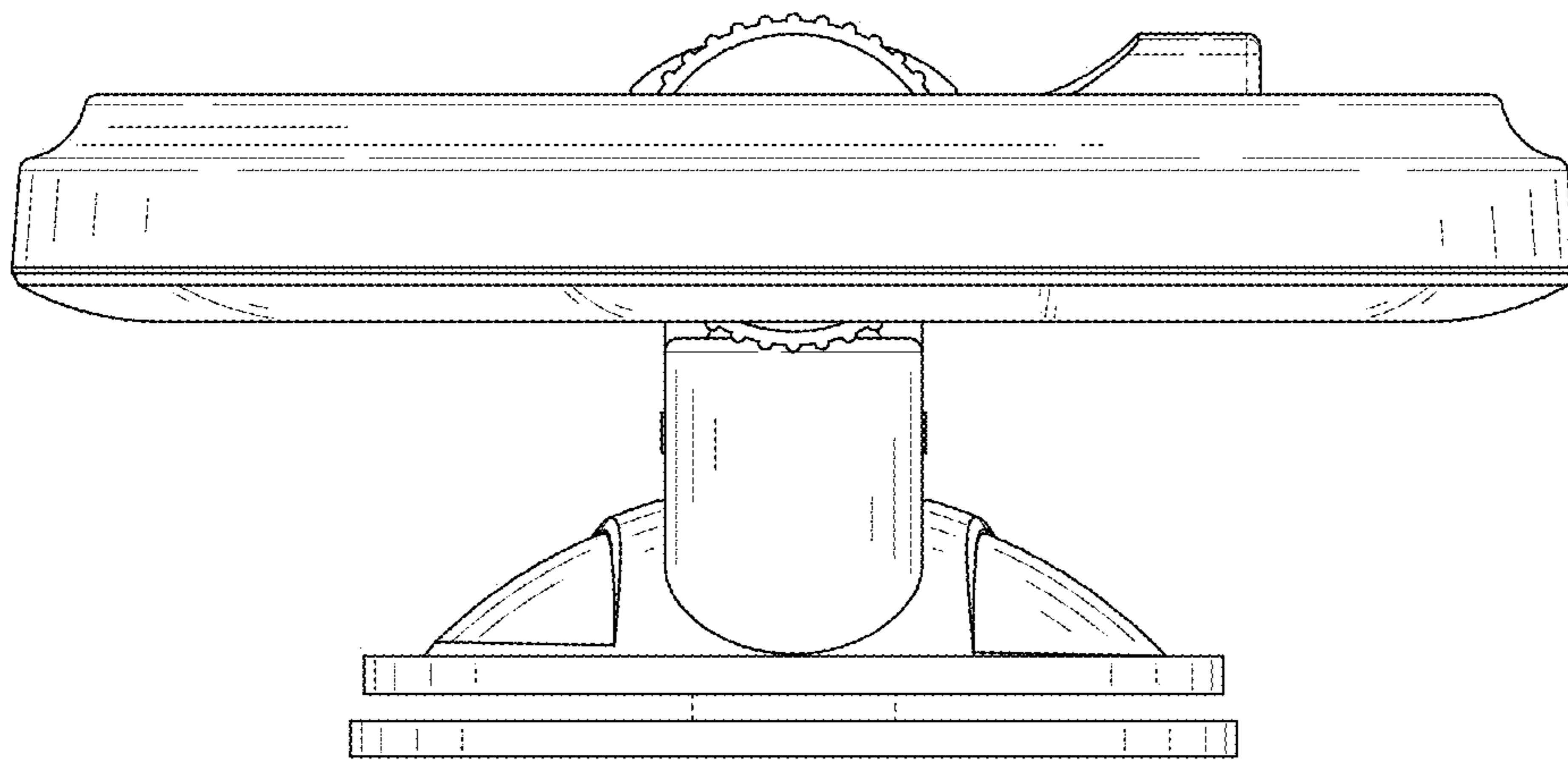


FIG. 7

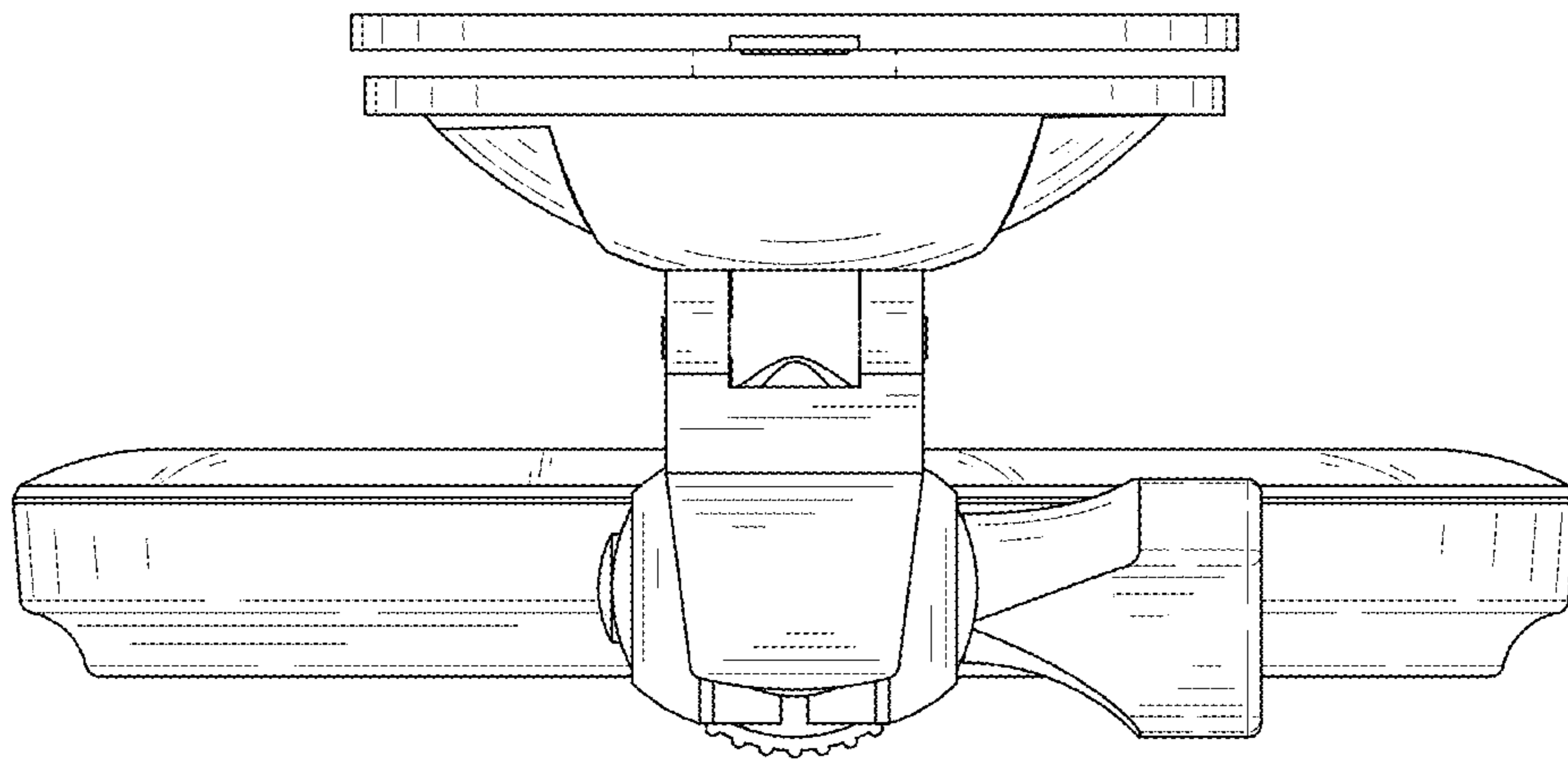


FIG. 8